

BEACONS

EB7185 SERIES SAE Class I Dual-Color LED

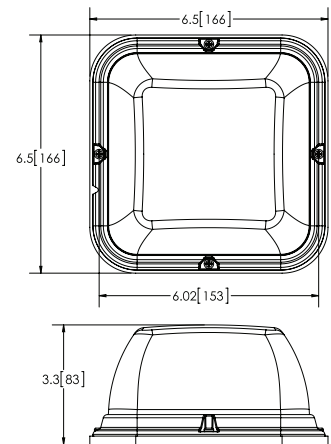
The EB7185 LED provides the ultimate level of power, versatility and style available in a dual color LED beacon. The latest high-intensity LEDs combine with reflector technology to produce a powerful, SAE Class I warning signal in a square housing that also offers premium features, including multiple flash patterns and synchronization capability. Featuring 12-24 VDC operation and 24 flash patterns, the EB7185 Series is suitable for a wide range of applications where a high-intensity SAE Class I light is required. Each unit is backed by a 3-year warranty.

Models

PART NO.	VOLTAGE	AMPS	LENS/ILLUMINATION	MOUNT
EB7185AAA	12-24	8.6	Amber	4 Bolt Flange
EB7185AAA-VM	12-24	8.6	Amber	Vacuum Magnet
EB7185CAA	12-24	8.6	Clear/Amber	4 Bolt Flange
EB7185CAA-VM	12-24	8.6	Clear/Amber	Vacuum Magnet
EB7185CAC	12-24	8.6	Clear/Amber/Clear	4 Bolt Flange
EB7185CCC	12-24	8.6	Clear	4 Bolt Flange
EB7185CCC-VM	12-24	8.6	Clear	Vacuum Magnet

Features and Benefits

- Dual color warning (CAC models)
- 24 flash patterns, including simulated rotate mode and hi/lo intensity
- Multiple units can be synchronized
- Cigarette plug with on/off and flash pattern switch (vacuum magnet only)
- SAE J845 Class I, Cal. Title 13, R10, IP55, AMECA
- Temperature Range: -22°F to +122°F (-30°C to +50°C)
- Warranty: 3 years



Flash Patterns (24)

- Single, 125 FPM: Bottom LEDs, Top LEDs, All LEDs
- Double, 125 FPM: Bottom LEDs, Top LEDs, All LEDs
- Quad, 135 FPM: Bottom LEDs, Top LEDs, All LEDs
- Rotate, 125 FPM: Bottom LEDs, Top LEDs, All LEDs
- Single, 75 FPM: Bottom LEDs, Top LEDs, All LEDs
- Double, 75 FPM: Bottom LEDs, Top LEDs, All LEDs
- Quad, 75 FPM: Bottom LEDs, Top LEDs, All LEDs
- Rotate, 75 FPM: Bottom LEDs, Top LEDs, All LEDs