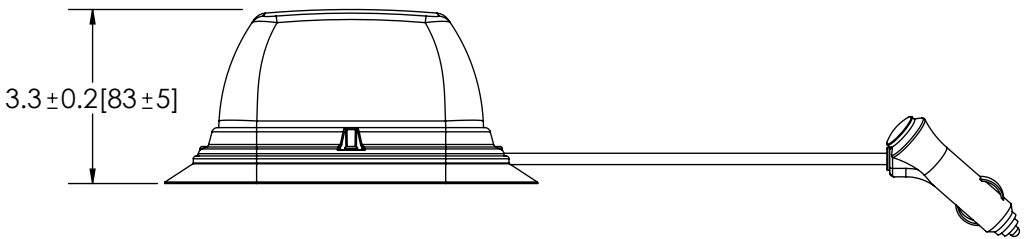
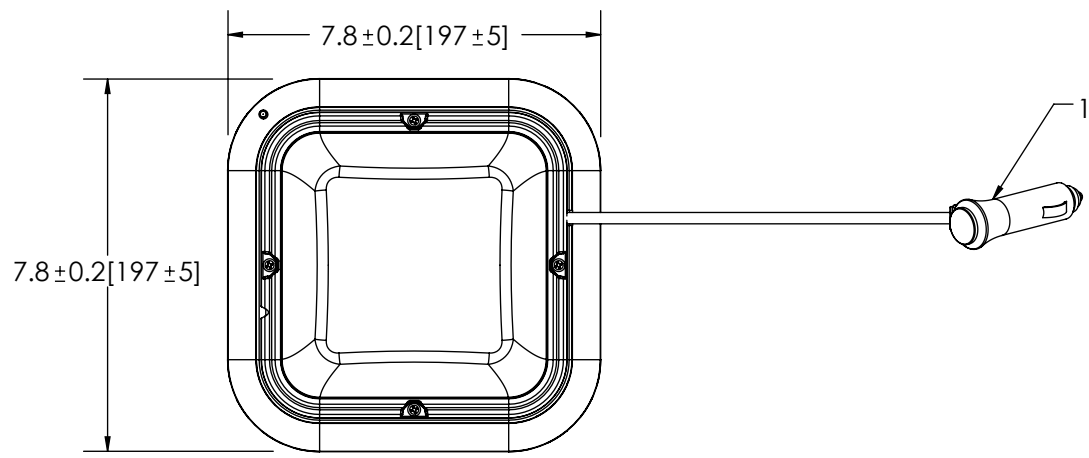


REVISION HISTORY		
REV.	DESCRIPTION	DATE
09	REVISED PER EL0005	2016-02-09
A	INITIAL RELEASE PER EL0005	2016-02-17
B	REVISE PER EC4556	2017-04-25



SPECIFICATIONS

- CERTIFICATIONS: ECE R10; AMECA/SAE J845 (JUN 2013) CLASS 1; YELLOW; CA Title 13 CLASS E; IP55
 Note: Unique components, accessories, and hardware kits are not typically included in the Product Certification Test Protocols. Unless otherwise Specified, the Product Certifications referred to herein are predicated upon the base product model configuration.
- FLASH MODE: SINGLE : 120 ± 5 FLASHES PER MINUTE
 DOUBLE : 120 ± 5 FLASHES PER MINUTE
 QUAD : 120 ± 5 FLASHES PER MINUTE
- VOLTAGE (NOMINAL): 12 to 24 VDC
- VOLTAGE (EXTREME): 10 to 30 VDC
- CURRENT (PEAK): 8.56A (@ 12 VDC NOMINAL)
- POWER (MAXIMUM): 109.6W (@ 12 VDC NOMINAL)
- TEMPERATURE RANGE: -22°F (-30°C) TO 122°F (50°C)
- CONNECTION: 20 AWG CABLE W/ LIGHTER ADAPTER
- MOUNTING: VACUUM/MAGNET MOUNT
- BASE MATERIAL: ALUMINUM
- LENS MATERIAL: POLYCARBONATE
- PRODUCT WEIGHT: 3.0 LBS (1.35 Kg)

FGS PRODUCT CHART			
FGS P/N	COLOR	SAE J845	CA T13
EB7185AAA-VM	AMBER/AMBER/AMBER	CLASS 1	CLASS E
EB7185CCC-VM	CLEAR/CLEAR/CLEAR	CLASS 1	-
EB7185CAA-VM	CLEAR/AMBER/AMBER	CLASS 1	CLASS E

DISCLAIMER
 DIMENSIONS, ILLUSTRATIONS, SPECIFICATIONS, AND CERTIFICATIONS CONTAINED IN THIS DOCUMENT ARE TYPICAL OF THE ACTUAL PRODUCT AND ARE SUBJECT TO CHANGE. ECCO ENGINEERING DOES NOT MAINTAIN FORMAL DESIGN CONTROL OF THIS PRODUCT.

- NOTES:**
- ROHS COMPLIANT
 - DIMENSIONS IN INCHES[MILLIMETERS(FOR REFERENCE)]

SCALE 1:4		APPROVALS	DATE	
CAD GENERATED DRAWING DO NOT MANUALLY UPDATE. MODEL REFERENCED: A		DRAWN BY ABD	2017-04-18	
TOLERANCES ARE IN INCHES, AND MILLIMETERS TOLERANCES UNLESS OTHERWISE STATED ARE:		CHECKED ABB	2017-04-18	LED BEACON,SQ,DBL STACK,X/X/X,12-24V,VM CUSTOMER PART NO. SEE CHART PRODUCT SERIES: EB7185
MILLIMETERS DECIMALS XX. ± 1.0mm XX.X ± 0.5mm	INCHES DECIMALS X.X ± 0.1 X.XX ± 0.04 X.XXX ± 0.02	MECH. ENG.		
	ANGLES ± 0.5° FRACTIONS ± 1/64	ELEC. ENG. JES	2017-04-21	
		TEST ENG. JRT	2017-04-17	
		SALES. DMV	2017-04-20	SIZE: A
		Electronically Controlled Use Latest Copy		DWG. NO. EB7185XXX-VM
		SHEET 1 OF 1		REV. B
		Project: EL0005		Date Created: 2015-11-13

NON DISCLOSURE AGREEMENT
 THIS DRAWING AND THE DESIGN IT DISCLOSES ARE THE PRIVATE PROPERTY OF ELECTRONIC CONTROLS CO. AND IS ISSUED IN CONFIDENCE FOR ENGINEERING INFORMATION ONLY. THE DRAWING AND / OR DESIGN MAY NOT BE USED, COPIED, REPRODUCED, OR OTHERWISE DISCLOSED IN PART OR AS A WHOLE TO OUTSIDERS OR USED FOR ANY OTHER PURPOSE WITHOUT THE PRIOR WRITTEN CONSENT OF ELECTRONIC CONTROLS CO. THE DRAWING IS SUBJECT TO RECALL AT ANY TIME. YOUR POSSESSION OF THIS DOCUMENT CONSTITUTES ACCEPTANCE OF THESE TERMS. © 2015 ELECTRONIC CONTROLS CO.

