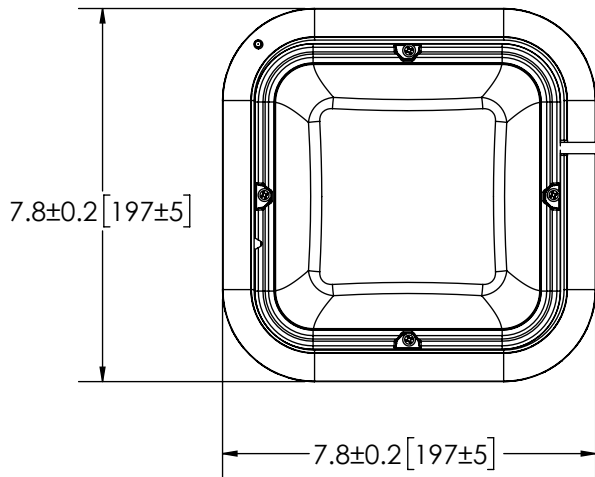


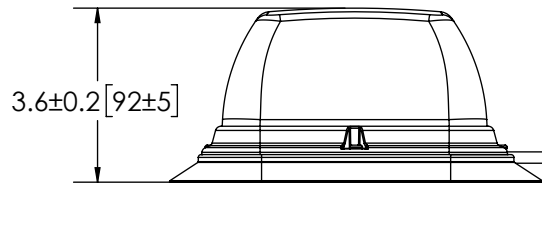
REVISION HISTORY		
REV.	DESCRIPTION	DATE
A	INITIAL RELEASE PER EL0117	2017-11-03
B	REVISE PER EL0117	2017-11-22
C	REVISE PER EC5072	2018-08-06



12'[3658] CORD W/ LIGHTER ADAPTER

## SPECIFICATIONS

- CERTIFICATIONS: ECE R10; AMECA/SAE J845 (JUN 2013) CLASS 1; YELLOW; CA Title 13 CLASS E; IP55  
Note: Unique components, accessories, and hardware kits are not typically included in the Product Certification Test Protocols. Unless otherwise Specified, the Product Certifications referred to herein are predicated upon the base product model configuration.
- FLASH MODE: SINGLE : 75 ± 5 FLASHES PER MINUTE  
DOUBLE : 75 ± 5 FLASHES PER MINUTE  
QUAD : 75 ± 5 FLASHES PER MINUTE
- VOLTAGE (NOMINAL): 12-24 VDC
- VOLTAGE (EXTREME): 10-30 VDC
- CURRENT (PEAK): 8.56A (@ 12 VDC NOMINAL)
- POWER (MAXIMUM): 109.6W (@ 12 VDC NOMINAL)
- TEMPERATURE RANGE: -22°F (-30°C) TO 122°F (50°C)
- CONNECTION: 20 AWG CABLE W/ LIGHTER ADAPTER
- MOUNTING: VACUUM/MAGNET MOUNT
- BASE MATERIAL: ALUMINUM
- LENS MATERIAL: POLYCARBONATE
- PRODUCT WEIGHT: 3.0 LBS (1.35 Kg)


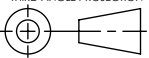


COLOR CHART		
FG P/N	LENS COLOR	LED COLOR
EB7185AAA-VM-T13	AMBER	AMBER/AMBER
EB7185CAA-VM-T13	CLEAR	AMBER/AMBER

### DISCLAIMER

DIMENSIONS, ILLUSTRATIONS, SPECIFICATIONS, AND CERTIFICATIONS CONTAINED IN THIS DOCUMENT ARE TYPICAL OF THE ACTUAL PRODUCT AND ARE SUBJECT TO CHANGE. ECCO ENGINEERING DOES NOT MAINTAIN FORMAL DESIGN CONTROL OF THIS PRODUCT.

- NOTES:
- ROHS COMPLIANT
  - DIMENSIONS IN INCHES[MILLIMETERS (FOR REFERENCE)]

SCALE 1:4		APPROVALS	DATE	
CAD GENERATED DRAWING DO NOT MANUALLY UPDATE. MODEL REFERENCED: A		DRAWN BY ABD	2018-07-16	
TOLERANCES ARE IN INCHES, AND MILLIMETERS TOLERANCES UNLESS OTHERWISE STATED ARE:		CHECKED MDH	2018-07-17	
MILLIMETERS DECIMALS XX. ± 1.0mm XX.X ± 0.5mm	INCHES DECIMALS X.X ± 0.1 X.XX ± 0.04 X.XXX ± 0.02	MECH. ENG. JLA	2018-07-16	<b>LED BEACON,SQ,DBL STACK,VM12-24V,T13</b> CUSTOMER PART NO. <b>SEE CHART</b> PRODUCT SERIES:
		ELEC. ENG. JES	2018-07-24	
		TEST ENG. JRT	2018-07-25	
		SALES. ARS	2018-07-17	
THIRD ANGLE PROJECTION 		SIZE: A DWG. NO. EB7185XXX-VM-T13 REV. C Project: EL0117 Date Created: 2017-09-22		
Electronically Controlled Use Latest Copy SHEET 1 OF 1				

THIS DRAWING AND THE DESIGN IT DISCLOSES ARE THE PRIVATE PROPERTY OF ELECTRONIC CONTROLS CO. AND IS ISSUED IN CONFIDENCE FOR ENGINEERING INFORMATION ONLY. THE DRAWING AND / OR DESIGN MAY NOT BE USED, COPIED, REPRODUCED, OR OTHERWISE DISCLOSED IN PART OR AS A WHOLE TO OUTSIDERS OR USED FOR ANY OTHER PURPOSE WITHOUT THE PRIOR WRITTEN CONSENT OF ELECTRONIC CONTROLS CO. THE DRAWING IS SUBJECT TO RECALL AT ANY TIME. YOUR POSSESSION OF THIS DOCUMENT CONSTITUTES ACCEPTANCE OF THESE TERMS. © 2017 ELECTRONIC CONTROLS CO.