



WARNING LIGHTING | DIRECTIONAL LIGHTING | LIGHTBARS | WHITE LIGHTING | REVERSING SAFETY



BEACONS

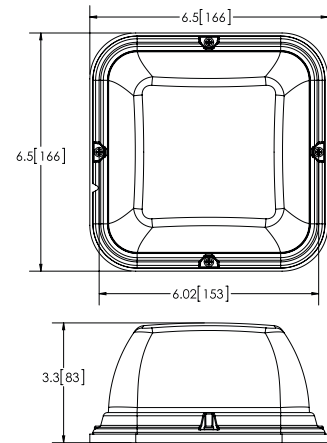


Excluding
CCC / CCC-VM

Permanent
Mount
Only

EB7185 SERIES SAE Class I Dual-Color LED

The EB7185 LED provides the ultimate level of power, versatility and style available in a dual color LED beacon. The latest high-intensity LEDs combine with reflector technology to produce a powerful, SAE Class I warning signal in a square housing that also offers premium features, including multiple flash patterns and synchronization capability. Featuring 12-24 VDC operation and 24 flash patterns, the EB7185 Series is suitable for a wide range of applications where a high-intensity SAE Class I light is required.



Models

PART NO.	VOLTAGE	AMPS	LENS/ILLUMINATION	MOUNT
EB7185AAA	12-24	8.6	Amber/Amber/Amber	4 Bolt Flange
EB7185AAA-T13	12-24	8.6	Amber/Amber/Amber	4 Bolt Flange
EB7185AAA-VM	12-24	8.6	Amber/Amber/Amber	Vacuum Magnet
EB7185AAA-VM-T13	12-24	8.6	Amber/Amber/Amber	Vacuum Magnet
EB7185CAC-T13	12-24	8.6	Clear/Amber/Amber	4 Bolt Flange
EB7185CAC-VM-T13	12-24	8.6	Clear/Amber/Amber	Vacuum Magnet
EB7185CXX	12-24	8.6	Clear/Choose Colors	4 Bolt Flange
EB7185CXX-VM	12-24	8.6	Clear/Specify Colors	Vacuum Magnet

Replace XX in part number with desired color: AA=amber/amber AC=amber/clear, AB=amber/blue
AG=amber/green, AR=amber/red, CC=clear/clear

Features and Benefits

- Dual color warning (CAC models)
- 24 flash patterns, including simulated rotate mode and hi/lo intensity
- Multiple units can be synchronized
- Cigarette plug with on/off and flash pattern switch (vacuum magnet only)
- Temperature Range: -22°F to +122°F (-30°C to +50°C)