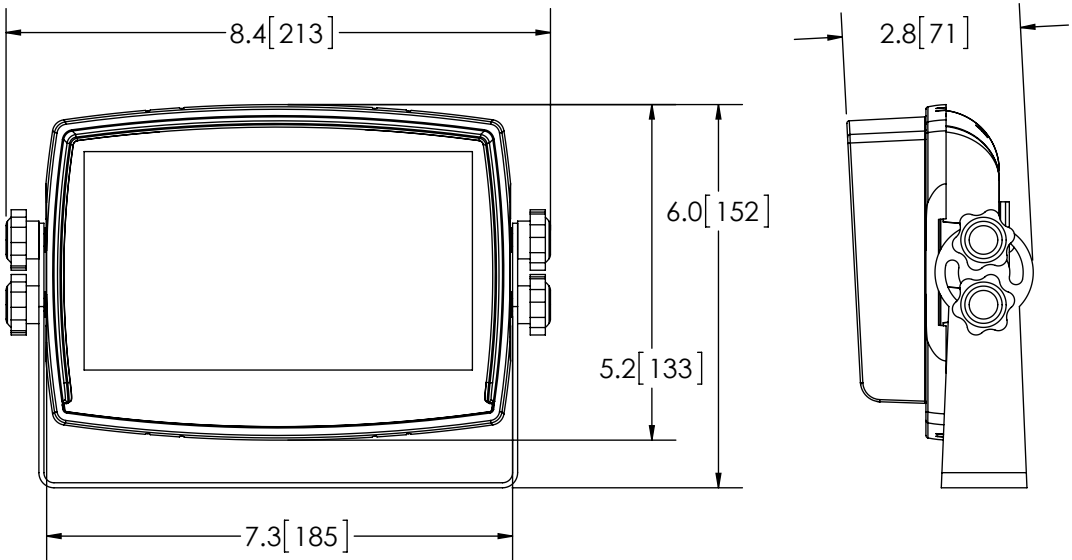


REVISION HISTORY		
REV.	DESCRIPTION	DATE
02	REVISED PER EL0023	2015-09-11
A	INITIAL RELEASE PER EL0023	2015-09-29
B	REVISE PER LM14238	2015-12-10




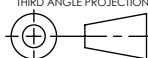
SPECIFICATIONS

- CERTIFICATIONS: PENDING
 Note: Unique components, accessories, and hardware kits are not typically included in the Product Certification Test Protocols. Unless otherwise Specified, the Product Certifications referred to herein are predicated upon the base product model configuration.
- DISPLAY: 16:9 7 IN. SCREEN
- RESOLUTION: 800 X 480 (PIXELS)
- COLOR SYSTEM: NTSC
- VOLTAGE (NOMINAL): 12 to 24 VDC
- VOLTAGE (EXTREME): 10 to 32 VDC
- POWER (NOMINAL): 6.4W (@ 12 VDC NOMINAL)
- TEMPERATURE RANGE: -22°F (-30°C) TO 158°F (70°C)
- CONNECTION: 4 PIN CONNECTOR
- RECOMMENDED MOUNTING: BRACKET OR STAND
- PRODUCT WEIGHT: 1.82 LBS (0.8 Kg)
- AUDIO: YES
- DAY/NIGHT SENSOR: YES
- WIRELESS: NO

DISCLAIMER

Dimensions, Illustrations, Specifications and Certifications contained in this document are typical of the actual product and are subject to change. ECCO Engineering does not maintain formal design control of this product.

- NOTES:
 1. ROHS COMPLIANT
 2. DIMENSIONS IN INCHES[MILLIMETERS (FOR REFERENCE)]

SCALE 1:3		APPROVALS	DATE	
CAD GENERATED DRAWING DO NOT MANUALLY UPDATE. MODEL REFERENCED:A		DRAWN BY ABB	2015-11-23	
TOLERANCES ARE IN INCHES, AND MILLIMETERS TOLERANCES UNLESS OTHERWISE STATED ARE:		CHECKED ABD	2015-11-24	
		MECH. ENG. NMT	2015-12-02	
MILLIMETERS DECIMALS XX. ± 1.0mm XX.X ± 0.5mm	INCHES DECIMALS X.X ± 0.1 X.XX ± 0.04 X.XXX ± 0.02	ANGLES ± 0.5° FRACTIONS ± 1/64	ELEC. ENG. TJT	2015-11-23
		TEST ENG. JRT	2015-11-25	MONITOR, 12-24,7"QUAD,COLOR TFT,AUDIO CUSTOMER PART NO. EC7000-QM
		SALES. LAT	2015-11-30	
NON DISCLOSURE AGREEMENT		THIRD ANGLE PROJECTION		SIZE: A
<small>THIS DRAWING AND THE DESIGN IT DISCLOSES ARE THE PRIVATE PROPERTY OF ESG AND IS ISSUED IN CONFIDENCE FOR ENGINEERING INFORMATION ONLY. THE DRAWING AND / OR DESIGN MAY NOT BE USED, COPIED, REPRODUCED, OR OTHERWISE DISCLOSED IN PART OR AS A WHOLE TO OUTSIDERS OR USED FOR ANY OTHER PURPOSE WITHOUT THE PRIOR WRITTEN CONSENT OF ESG. THE DRAWING IS SUBJECT TO RECALL AT ANY TIME. YOUR POSSESSION OF THIS DOCUMENT CONSTITUTES ACCEPTANCE OF THESE TERMS. © 2015 ECCO</small>				DWG. NO. EC7000-QM
		Electronically Controlled Use Latest Copy		REV. B
		SHEET 1 OF 1		Project: EL0023
		Date Created: 2015-09-09		