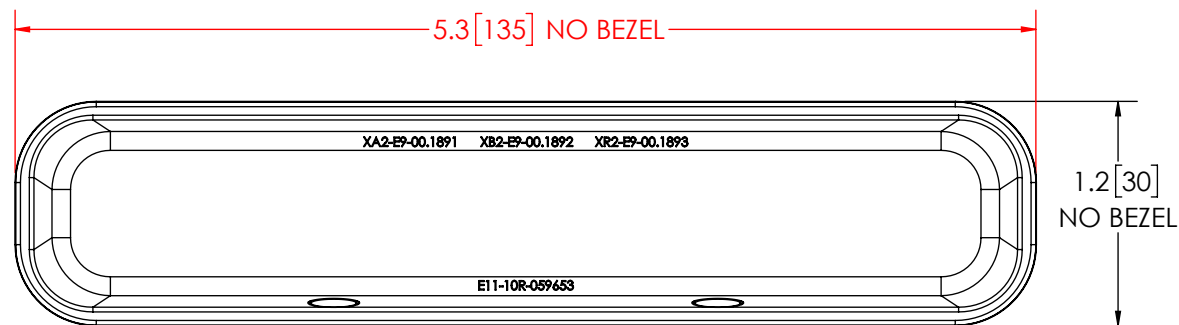
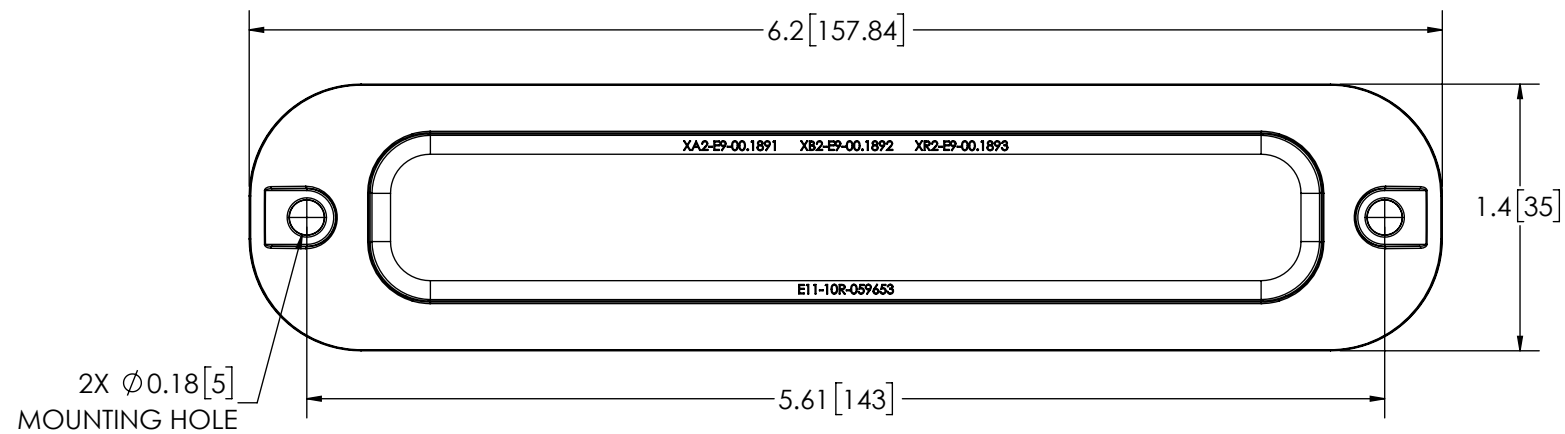
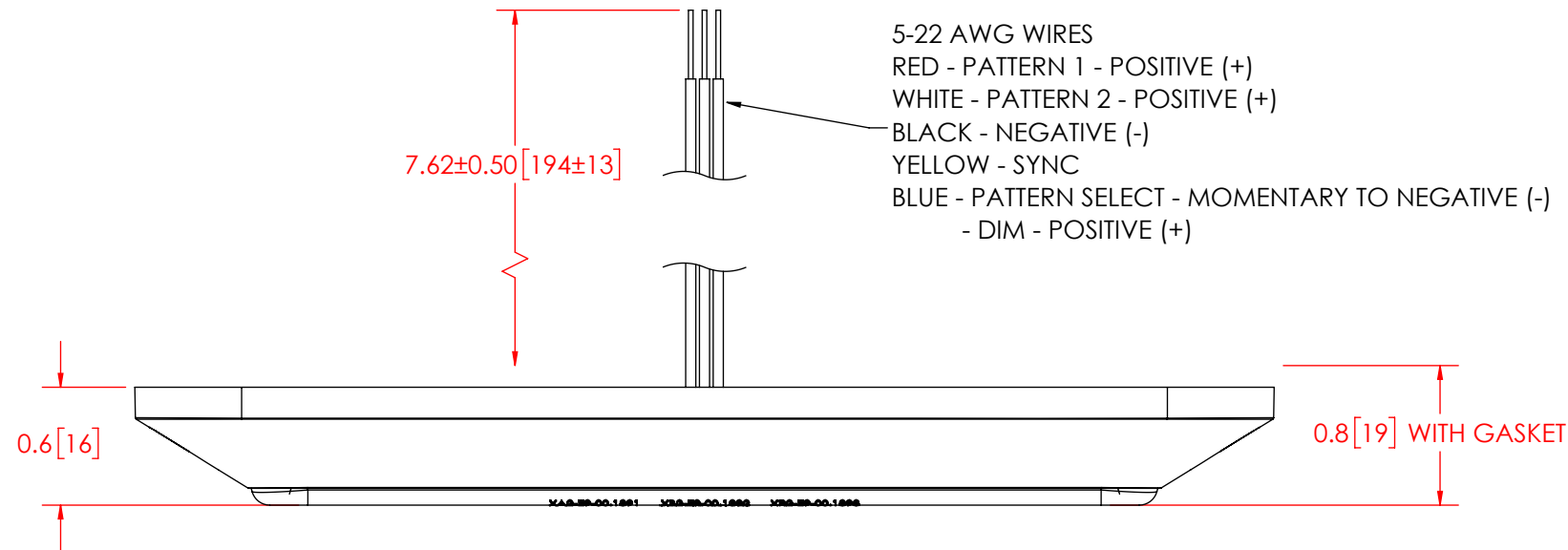


REVISION HISTORY		
REV.	DESCRIPTION	DATE
03	REVISED PER C14031	2019-04-09
A	INITIAL RELEASE PER C14031	2019-04-11
B	REVISED PER EC6091	2021-03-16

5-22 AWG WIRES  
 RED - PATTERN 1 - POSITIVE (+)  
 WHITE - PATTERN 2 - POSITIVE (+)  
 BLACK - NEGATIVE (-)  
 YELLOW - SYNC  
 BLUE - PATTERN SELECT - MOMENTARY TO NEGATIVE (-)  
 - DIM - POSITIVE (+)



### SPECIFICATIONS

- CERTIFICATIONS: IP67; REG10; SAE J595 (SEE CHART), CA TITLE 13 (SEE CHART); REG65 (SEE CHART); NFPA  
 Note: Unique components, accessories, and hardware kits are not typically included in the Product Certification Test Protocols. Unless otherwise Specified, the Product Certifications referred to herein are predicated upon the base product model configuration.
- FLASH MODE: CYCLE : N/A FLASHES PER MINUTE  
 SINGLE: 75 ± 5 FLASHES PER MINUTE  
 SINGLE : 120 ± 5 FLASHES PER MINUTE
- VOLTAGE (NOMINAL): 12-24 VDC
- VOLTAGE (EXTREME): 9-32 VDC
- CURRENT (PEAK): SEE CHART (@12VDC NOMINAL)
- POWER (MAXIMUM): SEE CHART (@12VDC NOMINAL)
- TEMPERATURE RANGE: -40°F (-40°C) TO 149°F (65°C)
- CONNECTION: 5 - 22 AWG WIRES
- MOUNTING: 2 BOLT
- BASE MATERIAL: POLYCARBONATE
- LENS MATERIAL: POLYCARBONATE
- PRODUCT WEIGHT: 0.18 LBS (0.08 Kg)

FGS PRODUCT CHART						
FGS. NO.	COLOR	CURRENT (PEAK) A	POWER (MAX) W	REG65	SAE J595	CA TITLE 13
ED3705A	AMB/AMB	0.84	10.8	CLASS 2	CLASS 1	CLASS B
ED3705B	BLU/BLU	0.79	10.1	CLASS 2	CLASS 1	CLASS B
ED3705G	GRN/GRN	0.86	11.0	-	-	-
ED3705R	RED/RED	0.60	8.3	CLASS 2	CLASS 1	CLASS B
ED3705C	WHT/WHT	0.86	11.0	-	CLASS 1	-

- NOTES:
- ROHS COMPLIANT
  - DIMENSIONS IN INCHES [MILLIMETERS (FOR REFERENCE)]

PROPRIETARY AND CONFIDENTIAL INFORMATION

THIS DRAWING AND THE DESIGN AND OTHER INFORMATION DISCLOSED HEREIN ARE THE PROPERTY OF ELECTRONIC CONTROLS COMPANY AND/OR ITS ECCO SAFETY GROUP AFFILIATES ("ECCO") AND IS ISSUED IN CONFIDENCE TO RECIPIENT FOR ENGINEERING INFORMATION PURPOSES ONLY. THIS DRAWING AND THE DESIGN AND OTHER INFORMATION DISCLOSED HEREIN MAY NOT BE USED, COPIED, REPRODUCED OR OTHERWISE DISCLOSED IN PART OR IN WHOLE TO THIRD PARTIES OR USED FOR ANY OTHER PURPOSE WITHOUT PRIOR ECCO WRITTEN CONSENT. ECCO RESERVES ALL PATENT, COPYRIGHT, TRADEMARK AND OTHER PROPRIETARY RIGHTS TO THIS DOCUMENT, INCLUDING ALL DESIGN, MANUFACTURING, REPRODUCTION, USE AND SALES RIGHTS THEREIN. THIS DRAWING IS SUBJECT TO RECALL BY ECCO AT ANY TIME, AND YOUR POSSESSION AND/OR USE CONSTITUTES ACCEPTANCE OF THESE TERMS. ©2020 ELECTRONIC CONTROLS COMPANY

SCALE 1:1		APPROVALS	DATE
CAD GENERATED DRAWING DO NOT MANUALLY UPDATE. MODEL REFERENCED: A		DRAWN BY MDH	2020-11-06
TOLERANCES ARE IN INCHES, AND MILLIMETERS TOLERANCES UNLESS OTHERWISE STATED ARE:		CHECKED ABB	2020-11-09
MECH. ENG. NMT		MECH. ENG. NMT	2020-11-09
ELEC. ENG. SPO		ELEC. ENG. SPO	2020-11-09
TEST ENG. RM		TEST ENG. RM	2020-11-16
SALES. MD		SALES. MD	2020-11-09

**6 LED, SURFACE MNT, 12-24VDC**

CUSTOMER PART NO.  
**SEE CHART**

SIZE: B	DWG. NO. ED3705X	REV. B
Project: C14031		Date Created: 2019-02-25

Electronically Controlled Use Latest Copy SHEET 1 OF 1