



DIRECTIONAL LEDS

SAE CLASS I



Dual-Color Only

R65

Dual-Color Only

CE

Dual-Color Only

R10

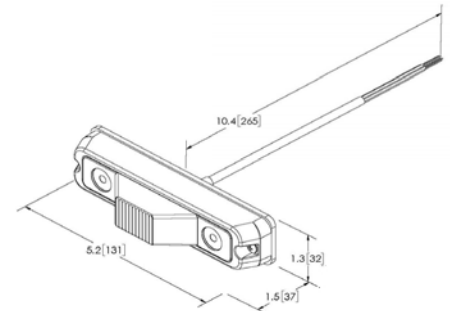
IP67

Dual-Color Only

ED3777 SERIES

SAE Class I Single- or Dual-Color Multi-Mount

The ED3777 directional LEDs are bright and versatile 180 degree warning lights, with work light and puddle light combinations that are suited to a wide variety of applications. Their low profile, narrow shape, and multiple mounting options (surface, edge, self-adhesive and permanent) provide superior flexibility when positioning the lights for optimum warning capability. Both models offer multiple flash patterns and multiple units can be synchronized to operate either simultaneously or alternately with each other.



Models

PART NO.	COLORS	VDC	AMPS
ED3777A	Amber	12-24	1.8
ED3777B	Blue	12-24	1.8
ED3777R	Red	12-24	1.8
ED3777G	Green	12-24	1.8
ED3777W	White	12-24	1.8
ED3777AB	Amber/Blue	12-24	3.6
ED3777AG	Amber/Green	12-24	3.6
ED3777AR	Amber/Red	12-24	3.6
ED3777AW	Amber/White	12-24	3.6
ED3777BW	Blue/White	12-24	3.6
ED3777RB	Red/Blue	12-24	3.6
ED3777RW	Red/White	12-24	3.6



Tilt Bracket / Self-Adhesive



Edge Mount

Features and Benefits

- Six LEDs per color
- 13 flash patterns
- Synchronizable
- Aluminum housing, polycarbonate lens
- Four mounting options (hardware included)
- Temperature Range: -22°F to +122°F (-30°C to +50°C)

Flash Patterns (13)

- Single
- Fast Single
- Double
- Fast Double
- Triple
- Quad
- Fast Quad
- Quint
- Steady Single
- Steady Burn
- Modulation
- 2 Double, 2 Triple, Alt
- 4 Single, 2 Quad, Alt