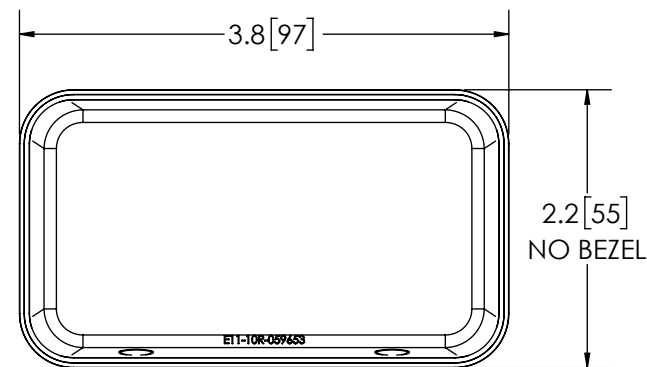
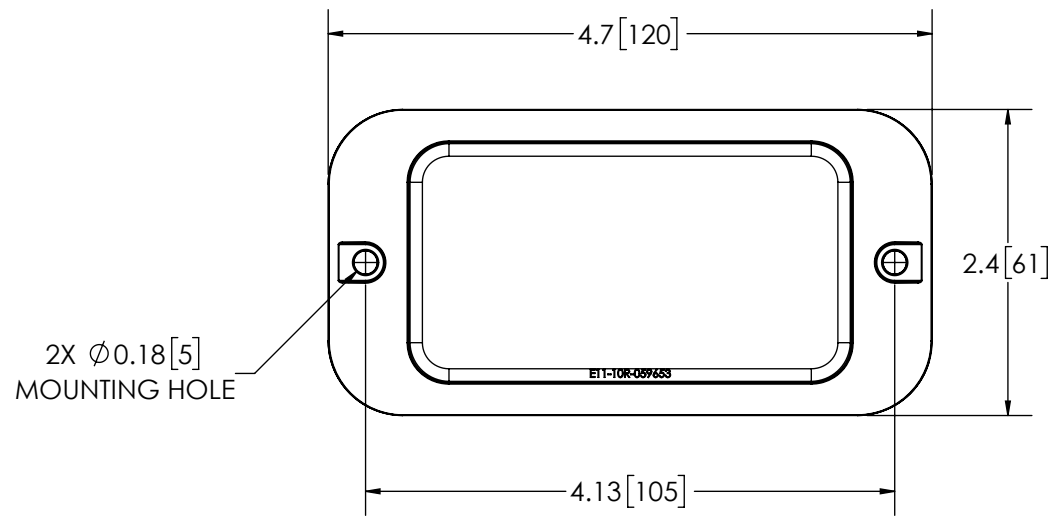
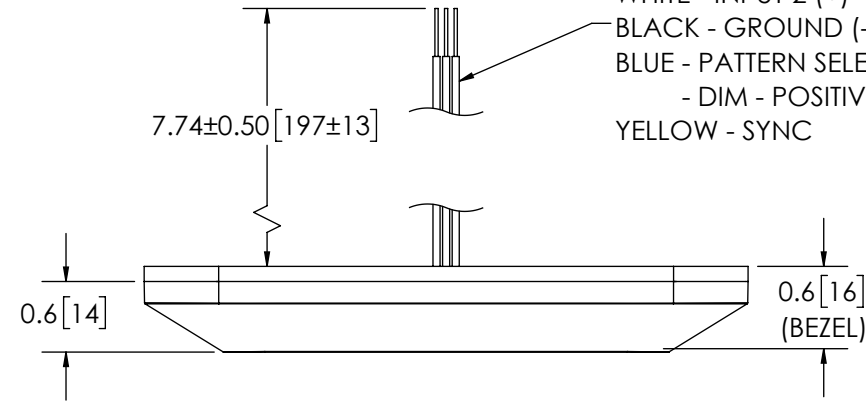


REVISION HISTORY		
REV.	DESCRIPTION	DATE
03	REVISED PER C14031	2019-02-25
A	INITIAL RELEASE PER C14031	2019-03-14
B	REVISED PER EC6091	2021-06-09

5-22 AWG WIRES
 RED - INPUT 1 (+)
 WHITE - INPUT 2 (+)
 BLACK - GROUND (-)
 BLUE - PATTERN SELECT - MOMENTARY TO GROUND (-)
 - DIM - POSITIVE (+)
 YELLOW - SYNC



SPECIFICATIONS

- CERTIFICATIONS: IP67; REG10; SEE CHART FOR SAE J595, AND CA TITLE 13
 Note: Unique components, accessories, and hardware kits are not typically included in the Product Certification Test Protocols. Unless otherwise Specified, the Product Certifications referred to herein are predicated upon the base product model configuration.
- FLASH MODE: SINGLE : 75 ± 5 FLASHES PER MINUTE
 QUINT : 150 ± 5 FLASHES PER MINUTE
 SINGLE : 120 ± 5 FLASHES PER MINUTE
- VOLTAGE (NOMINAL): 12-24 VDC
- VOLTAGE (EXTREME): 9-32 VDC
- CURRENT (PEAK): SEE CHART
- POWER (MAXIMUM): SEE CHART
- TEMPERATURE RANGE: -40°F (-40°C) TO 149°F (65°C)
- CONNECTION: 5 - 22 AWG WIRES
- MOUNTING: 2 BOLT
- BASE MATERIAL: POLYCARBONATE
- LENS MATERIAL: POLYCARBONATE
- PRODUCT WEIGHT: 0.244 LBS (0.11 Kg)

FG PRODUCT CHART					
FGS. NO.	COLOR	CURRENT (PEAK) @ 12VDC NOMINAL	POWER (MAX) @ 12VDC NOMINAL	SAE J595	CA TITLE 13
ED3788A	AMB	1.16 A	14.6 W	CLASS 1	CLASS B
ED3788B	BLU	1.18 A	15.1 W	CLASS 1	CLASS B
ED3788C	WHT	1.16 A	14.8 W	CLASS 1	--
ED3788R	RED	0.92 A	11.0 W	CLASS 1	CLASS B

- NOTES:
 1. ROHS COMPLIANT
 2. DIMENSIONS IN INCHES[MILLIMETERS (FOR REFERENCE)]

PROPRIETARY AND CONFIDENTIAL INFORMATION

THIS DRAWING AND THE DESIGN AND OTHER INFORMATION DISCLOSED HEREIN ARE THE PROPERTY OF ELECTRONIC CONTROLS COMPANY AND/OR ITS ECCO SAFETY GROUP AFFILIATES ("ECCO") AND IS ISSUED IN CONFIDENCE TO RECIPIENT FOR ENGINEERING INFORMATION PURPOSES ONLY. THIS DRAWING AND THE DESIGN AND OTHER INFORMATION DISCLOSED HEREIN MAY NOT BE USED, COPIED, REPRODUCED OR OTHERWISE DISCLOSED IN PART OR IN WHOLE TO THIRD PARTIES OR USED FOR ANY OTHER PURPOSE WITHOUT PRIOR ECCO WRITTEN CONSENT. ECCO RESERVES ALL PATENT, COPYRIGHT, TRADEMARK AND OTHER PROPRIETARY RIGHTS TO THIS DOCUMENT, INCLUDING ALL DESIGN, MANUFACTURING, REPRODUCTION, USE AND SALES RIGHTS THEREIN. THIS DRAWING IS SUBJECT TO RECALL BY ECCO AT ANY TIME, AND YOUR POSSESSION AND/OR USE CONSTITUTES ACCEPTANCE OF THESE TERMS. ©2019 ELECTRONIC CONTROLS COMPANY

SCALE 2:3	APPROVALS	DATE									
CAD GENERATED DRAWING DO NOT MANUALLY UPDATE. MODEL REFERENCED: A	DRAWN BY: ABB	2020-10-01									
TOLERANCES ARE IN INCHES, AND MILLIMETERS TOLERANCES UNLESS OTHERWISE STATED ARE:	CHECKED: ART	2020-10-02									
<table border="1"> <tr> <th>MILLIMETERS DECIMALS</th> <th>INCHES DECIMALS</th> <th>ANGLES</th> </tr> <tr> <td>XX ± 1.0mm</td> <td>X.X ± 0.1</td> <td>± 0.5°</td> </tr> <tr> <td>XX.X ± 0.5mm</td> <td>X.XX ± 0.04</td> <td>FRACTIONS ± 1/64</td> </tr> </table>	MILLIMETERS DECIMALS	INCHES DECIMALS		ANGLES	XX ± 1.0mm	X.X ± 0.1	± 0.5°	XX.X ± 0.5mm	X.XX ± 0.04	FRACTIONS ± 1/64	MECH. ENG. NMT
MILLIMETERS DECIMALS	INCHES DECIMALS	ANGLES									
XX ± 1.0mm	X.X ± 0.1	± 0.5°									
XX.X ± 0.5mm	X.XX ± 0.04	FRACTIONS ± 1/64									
	ELEC. ENG. SPO	2020-10-01									
	TEST ENG. RM	2020-10-19									
	SALES. MD	2020-10-01									
THIRD ANGLE PROJECTION			8 LED, DBL STACK, SURF MNT, 12-24V CUSTOMER PART NO. SEE CHART PRODUCT SERIES: ED3788								
Electronically Controlled Use Latest Copy		SIZE: B	DWG. NO. ED3788X								
SHEET 1 OF 1		Project: C14031	Date Created: 2019-02-05								
			REV. B								