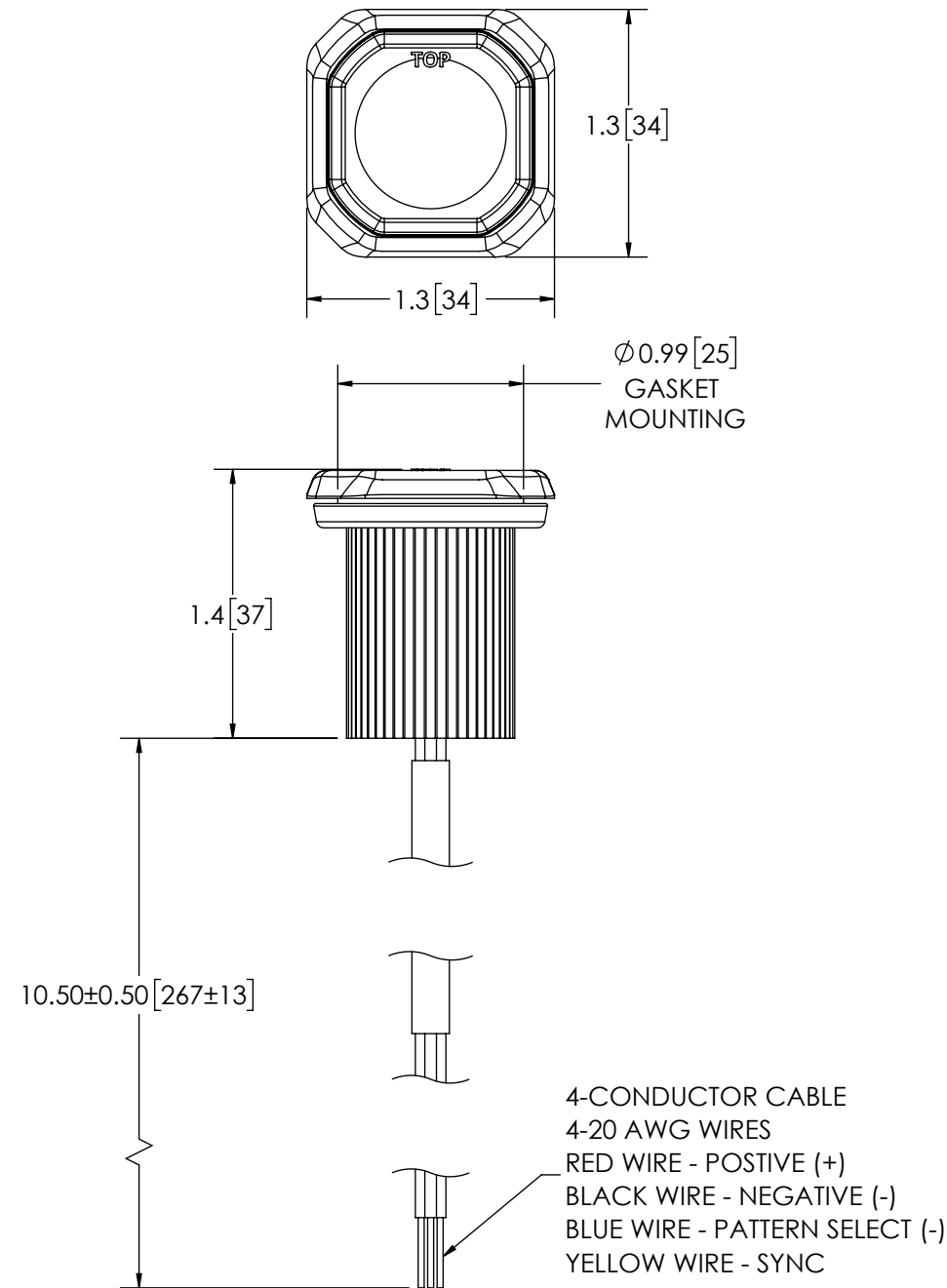


REVISION HISTORY		
REV.	DESCRIPTION	DATE
03	REVISED PER CL0051	2019-03-15
A	INITIAL RELEASE PER CL0051	2019-03-19
B	REVISED PER ES0017	2019-09-25

SPECIFICATIONS

- CERTIFICATIONS: ECE R10; SAE J595 (MAR 2014); CA Title 13; SEE CHART ECE R65; IP67
 Note: Unique components, accessories, and hardware kits are not typically Included in the Product Certification Test Protocols. Unless otherwise Specified, the Product Certifications referred to herein are predicated upon the base product model configuration.
- FLASH MODE: SINGLE : 75 ± 5 FLASHES PER MINUTE
 SINGLE : 120 ± 5 FLASHES PER MINUTE
 DOUBLE : 75 ± 5 FLASHES PER MINUTE
- VOLTAGE (NOMINAL): 12-24 VDC
- VOLTAGE (EXTREME): 9-32 VDC
- CURRENT (PEAK): SEE CHART (@ 12 VDC NOMINAL)
- POWER (MAXIMUM): SEE CHART(@ 12 VDC NOMINAL)
- TEMPERATURE RANGE: -40°F (-40°C) TO 149°F (65°C)
- CONNECTION: 4 - 20 AWG WIRES
- MOUNTING: 1 IN. THRU HOLE WITH GASKET
- BASE MATERIAL: ALUMINUM
- LENS MATERIAL: POLYCARBONATE
- PRODUCT WEIGHT: 0.084 LBS (0.038 Kg)



FGS PRODUCT CHART						
FGS. NO.	COLOR	CURRENT (PEAK) @12VDC NOMINAL	POWER (MAX) @12VDC NOMINAL	SAE J595	CA TITLE 13	ECE R65
ED9040A	AMBER	1.1 A	14.1 W	CLASS 1	CLASS B	CLASS 2
ED9040B	BLUE	1.0A	12.8W	CLASS 1	CLASS B	CLASS 2
ED9040G	GREEN	1.2A	15.1W	-	-	-
ED9040R	RED	0.8A	10.2W	CLASS 1	CLASS B	CLASS 2
ED9040W	WHITE	1.2 A	15.1 W	CLASS 1	-	-

- NOTES:
- ROHS COMPLIANT
 - DIMENSIONS IN INCHES[MILLIMETERS (FOR REFERENCE)]

PROPRIETARY AND CONFIDENTIAL INFORMATION

THIS DRAWING AND THE DESIGN AND OTHER INFORMATION DISCLOSED HEREIN ARE THE PROPERTY OF ELECTRONIC CONTROLS COMPANY AND/OR ITS ECCO SAFETY GROUP AFFILIATES ("ECCO") AND IS ISSUED IN CONFIDENCE TO RECIPIENT FOR ENGINEERING INFORMATION PURPOSES ONLY. THIS DRAWING AND THE DESIGN AND OTHER INFORMATION DISCLOSED HEREIN MAY NOT BE USED, COPIED, REPRODUCED OR OTHERWISE DISCLOSED IN PART OR IN WHOLE TO THIRD PARTIES OR USED FOR ANY OTHER PURPOSE WITHOUT PRIOR ECCO WRITTEN CONSENT. ECCO RESERVES ALL PATENT, COPYRIGHT, TRADEMARK AND OTHER PROPRIETARY RIGHTS TO THIS DOCUMENT, INCLUDING ALL DESIGN, MANUFACTURING, REPRODUCTION, USE AND SALES RIGHTS THEREIN. THIS DRAWING IS SUBJECT TO RECALL BY ECCO AT ANY TIME, AND YOUR POSSESSION AND/OR USE CONSTITUTES ACCEPTANCE OF THESE TERMS. ©2019 ELECTRONIC CONTROLS COMPANY

SCALE 1:1		APPROVALS	DATE						
CAD GENERATED DRAWING DO NOT MANUALLY UPDATE. MODEL REFERENCED: A		DRAWN BY: ABB	2019-09-20						
TOLERANCES ARE IN INCHES, AND MILLIMETERS TOLERANCES UNLESS OTHERWISE STATED ARE:		CHECKED: MDH	2019-09-23						
<table border="1"> <tr> <th>MILLIMETERS DECIMALS</th> <th>INCHES DECIMALS</th> <th>ANGLES</th> </tr> <tr> <td>XX. ± 1.0mm XX.X ± 0.5mm</td> <td>X.X ± 0.1 X.XX ± 0.04 X.XXX ± 0.02</td> <td>± 0.5° FRACTIONS ± 1/64</td> </tr> </table>		MILLIMETERS DECIMALS	INCHES DECIMALS		ANGLES	XX. ± 1.0mm XX.X ± 0.5mm	X.X ± 0.1 X.XX ± 0.04 X.XXX ± 0.02	± 0.5° FRACTIONS ± 1/64	MECH. ENG. JLA
MILLIMETERS DECIMALS	INCHES DECIMALS	ANGLES							
XX. ± 1.0mm XX.X ± 0.5mm	X.X ± 0.1 X.XX ± 0.04 X.XXX ± 0.02	± 0.5° FRACTIONS ± 1/64							
THIRD ANGLE PROJECTION		ELEC. ENG. SPO	2019-09-24						
		TEST ENG. JRT	2019-09-24						
Electronically Controlled Use Latest Copy		SALES. MD	2019-09-23						

6LED, FLASHER, LP, FM, 12-24V		
CUSTOMER PART NO. SEE CHART	PRODUCT SERIES: ED9040	
SIZE: B	DWG. NO. ED9040X	REV. B
Project: CL0051		Date Created: 2019-02-25