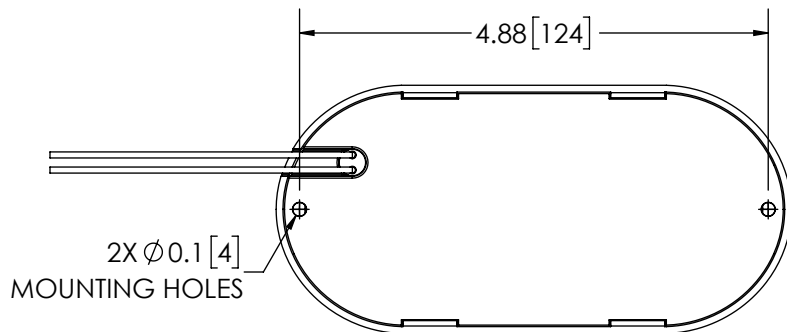
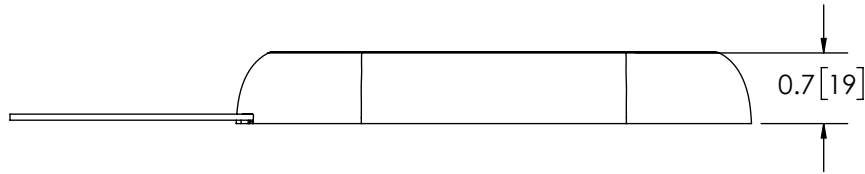


7.50±0.50[191±13]

2-22 AWG WIRES
RED (+) POSITIVE
BLACK (-) NEGATIVE



SPECIFICATIONS

1. CERTIFICATIONS: ECE R10; IP67
Note: Unique components, accessories, and hardware kits are not typically included in the Product Certification Test Protocols. Unless otherwise Specified, the Product Certifications referred to herein are predicated upon the base product model configuration.
2. RAW LUMENS: 385 lumens
3. EFFECTIVE LUMENS: 373 lumens
4. ILLUMINANCE: .14 lux
5. PEAK BEAM INTENSITY: 23 Candela
6. EFFICACY: 68.2 lm/W
7. CORRELATED COLOR TEMPERATURE: K
8. VOLTAGE (NOMINAL): 12 to 24 VDC
9. VOLTAGE (EXTREME): 9.0 to 32.0 VDC
10. CURRENT (PEAK): 0.45A (@ 12 VDC NOMINAL)
11. POWER (MAXIMUM): 5.7W (@ 12 VDC NOMINAL)
12. TEMPERATURE RANGE: -22°F (-30°C) TO 122°F (50°C)
13. CONNECTION: 2 LEAD WIRES
14. MOUNTING: 2 BOLTS, FLUSH MOUNT
15. HOUSING MATERIAL: ALUMINUM
16. LENS MATERIAL: POLYCARBONATE
17. PRODUCT WEIGHT: .32 LBS (0.14 Kg)

MOUNTING DISCLAIMER
MOUNTING MEASUREMENT IS FOR
REFERENCE ONLY. MEASURE BEFORE DRILLING.

DISCLAIMER

DIMENSIONS, ILLUSTRATIONS, SPECIFICATIONS AND CERTIFICATIONS CONTAINED IN THIS DOCUMENT ARE TYPICAL OF THE ACTUAL PRODUCT AND ARE SUBJECT TO CHANGE. ECCO ENGINEERING DOES NOT MAINTAIN FORMAL DESIGN CONTROL OF THIS PRODUCT.

- NOTES:
1. FOR INTERIOR USE ONLY
 2. ROHS COMPLIANT
 3. DIMENSIONS IN INCHES[MILLIMETERS (FOR REFERENCE)]

APPROVALS		DATE	
DRAWN BY		2017-08-09	
CHECKED	MDH	2017-08-10	
MECH. ENG.			
ELEC. ENG.			
MFG. ENG.	KLR	2017-08-09	

SCALE 1:2			
CAD GENERATED DRAWING DO NOT MANUALLY UPDATE. MODEL REFERENCED: 01			
		INTLIGHT, HARDWIRES 5.4" RECT, 27LED, 12-24GRY	
		SIZE: A	DWG. NO. EW0360
Electronically Controlled Use Latest Copy		SHEET 1 OF 1	Project: EL0064
		Date Created: 2017-02-08	REV. A

ECCO provides the best in accessory lighting equipment.