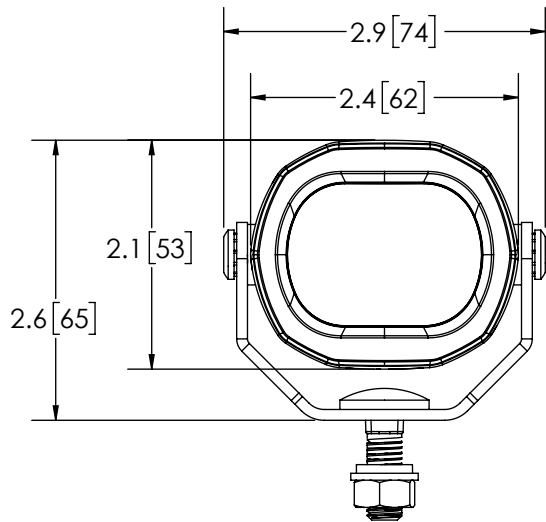
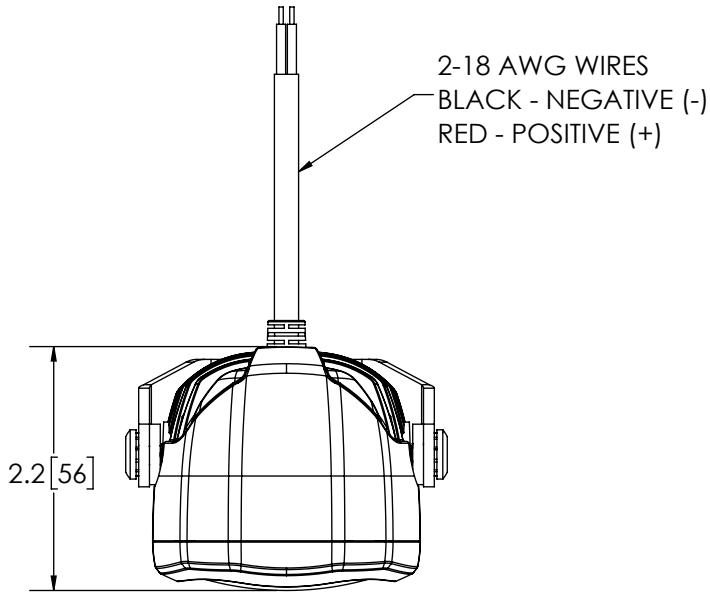


REVISION HISTORY		
REV.	DESCRIPTION	
01	PRELIMINARY RELEASE PER EL0077	
A	INITIAL RELEASE PER EL0077	
B	REVISE PER EL0077	



SPECIFICATIONS

- CERTIFICATIONS: ECE R10; C-Tick ;
Note: Unique components, accessories, and hardware kits are not typically Included in the Product Certification Test Protocols. Unless otherwise Specified, the Product Certifications referred to herein are predicated upon the base product model configuration.
- RAW LUMENS: 86 lumens
- EFFECTIVE LUMENS: 65 lumens
- ILLUMINANCE: 1.6 lux
- PEAK BEAM INTENSITY: 1433 Candela
- EFFICACY: 16.5 lm/W
- CORRELATED COLOR TEMPERATURE: 1000K
- VOLTAGE (NOMINAL): 12 to 80 VDC
- VOLTAGE (EXTREME): 9.0 to 86.0 VDC
- CURRENT (PEAK): 1.03A (@ 12 VDC NOMINAL)
- POWER (MAXIMUM): 13.2W (@ 12 VDC NOMINAL)
- TEMPERATURE RANGE: -22°F (-30°C) TO 122°F (50°C)
- CONNECTION: 2 - 18 AWG WIRE CABLE
- MOUNTING: BRACKET MOUNT
- HOUSING MATERIAL: ALUMINUM
- LENS MATERIAL: POLYCARBONATE
- PRODUCT WEIGHT: 0.6 LBS (0.27 Kg)

DISCLAIMER

DIMENSIONS, ILLUSTRATIONS, SPECIFICATIONS AND CERTIFICATIONS CONTAINED IN THIS DOCUMENT ARE TYPICAL OF THE ACTUAL PRODUCT AND ARE SUBJECT TO CHANGE. ECCO ENGINEERING DOES NOT MAINTAIN FORMAL DESIGN CONTROL OF THIS PRODUCT.

MOUNTING DISCLAIMER

MOUNTING MEASUREMENT IS FOR REFERENCE ONLY.
MEASURE BEFORE DRILLING.

NOTES:

- ROHS COMPLIANT
- DIMENSIONS IN INCHES[MILLIMETERS (FOR REFERENCE)]

SCALE 1:1.75		APPROVALS		ECCO®			
CAD GENERATED DRAWING DO NOT MANUALLY UPDATE. MODEL REFERENCED:A		DRAWN BY		WORKLAMP, LED LINE, 12-80V, RED			
		CHECKED MDH					
TOLERANCES ARE IN INCHES, AND MILLIMETERS TOLERANCES UNLESS OTHERWISE STATED ARE:		MECH. ENG. KLR				CUSTOMER PART NO. EW2015R	PRODUCT SERIES: EW2015
		ELEC. ENG. JES				SIZE: A	DWG. NO. EW2015R
MILLIMETERS DECIMALS XX. ± 1.0mm XX.X ± 0.5mm	INCHES DECIMALS X.X ± 0.1 X.XX ± 0.04 X.XXX ± 0.02	ANGLES ± 0.5° FRACTIONS ± 1/64	TEST ENG. JRT	SALES. LAT	Project: EL0077		
THIRD ANGLE PROJECTION		Electronically Controlled Use Latest Copy		SHEET 1 OF 1	Date Created:		

NON DISCLOSURE AGREEMENT
THIS DRAWING AND THE DESIGN IT DISCLOSES ARE THE PRIVATE PROPERTY OF ESG AND IS ISSUED IN CONFIDENCE FOR ENGINEERING INFORMATION ONLY. THE DRAWING AND / OR DESIGN MAY NOT BE USED, COPIED, REPRODUCED, OR OTHERWISE DISCLOSED IN PART OR AS A WHOLE TO OUTSIDERS OR USED FOR ANY OTHER PURPOSE WITHOUT THE PRIOR WRITTEN CONSENT OF ESG. THE DRAWING IS SUBJECT TO RECALL AT ANY TIME. YOUR POSSESSION OF THIS DOCUMENT CONSTITUTES ACCEPTANCE OF THESE TERMS. © 2016 ECCO