

INTRODUCTION:

This beacon must be installed in accordance with the national wiring regulations. If in doubt consult a qualified electrician.

CONTENTS:

The box contains the following parts:

1 x Beacon (Multi-voltage or Mains),

1 x Foam Gasket,

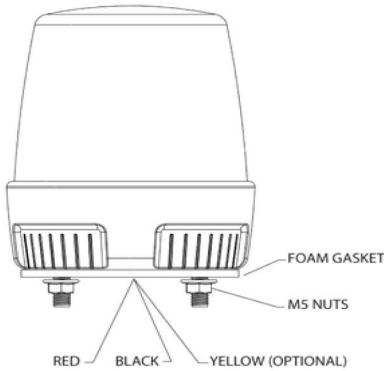
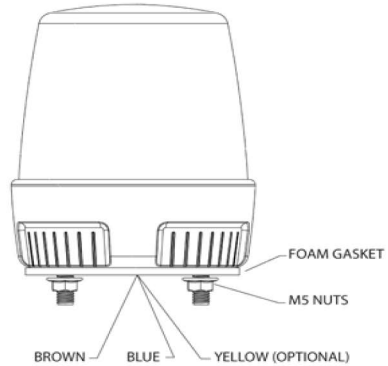
2 x M5 Mounting Nuts

INSTALLATION:

This beacon is designed to comply with IP67 when correctly installed. To ensure a weatherproof installation the beacon must be fitted with the foam gasket and mounted on a flat panel or surface forming part of a weatherproof enclosure. The panel or surface should be drilled to accept the wires and M5 studs (see diagram inside lid). Secure the beacon with the nuts provided (max torque 5 N m).

NOTE:

The power supply to the beacon must be fitted with a 500mA fuse.

MULTI- VOLTAGE BEACON

MAINS BEACON


Connect the wires as follows:-

RED WIRE (Positive):

10V – 100V DC

20V – 72V AC

BLACK: (Negative/Ground)

0V

Connect the wires as follows:-

BROWN (Line):

110V – 230V AC

BLUE: (Neutral)

IMPORTANT NOTE:

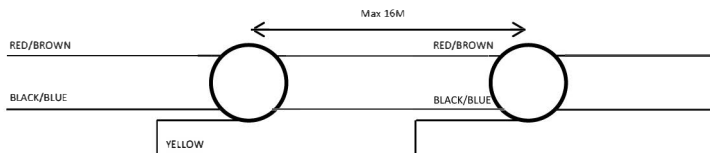
When the beacon is mounted on a metal panel or bracket, the panel or bracket must be connected to earth. If an insulating panel or bracket is used then access to the insulated wires of the beacon must be prevented, either by using an insulating sleeve or by means of a suitable insulating barrier

SYNCHRONISATION (if fitted):

The Xenon beacons fitted with the Yellow wire are capable of synchronisation. Installation details and options below.

NOTE: The LED Beacons fitted with the Yellow wire are NOT capable of synchronisation, however a Steady Burn (constantly lit) function is possible by connecting the Yellow wire to 0V.

Synchronisation - Multi-Voltage and Mains



Instructions should be retained for future reference.