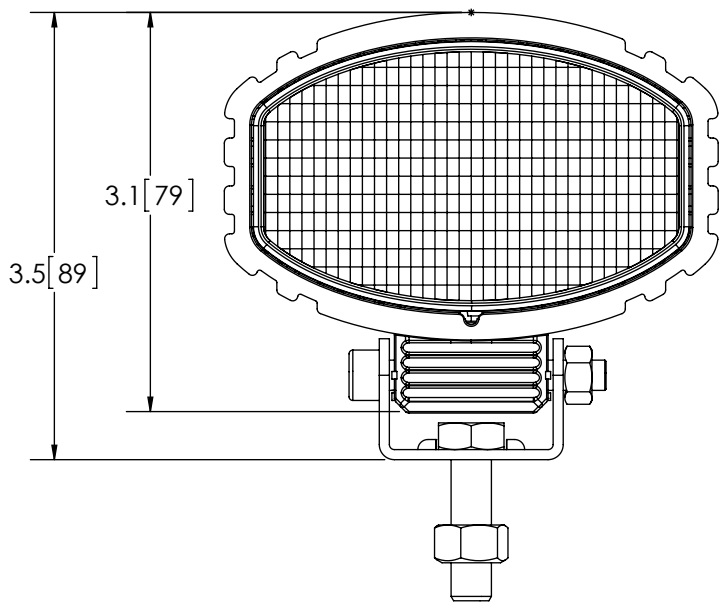
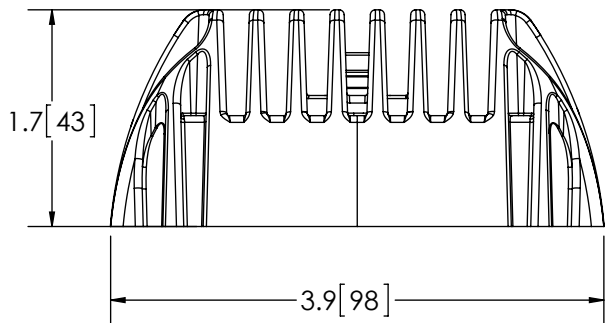


REVISION HISTORY		
REV.	DESCRIPTION	DATE
A	INITIAL RELEASE PER LM14265	2015-11-06
B	REVISE PER LM14265	2016-01-20
C	REVISE PER LM14265	2016-03-01


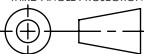


SPECIFICATIONS

- CERTIFICATIONS: **CE**; ECE R10; IP67
 Note: Unique components, accessories, and hardware kits are not typically included in the Product Certification Test Protocols. Unless otherwise Specified, the Product Certifications referred to herein are predicated upon the base product model configuration.
- RAW LUMENS: 570 lumens
- EFFECTIVE LUMENS: 470 lumens
- ILLUMINANCE: 0.9 lux
- PEAK BEAM INTENSITY: 805 Candela
- EFFICACY: 37.3 lm/W
- CORRELATED COLOR TEMPERATURE: 6884K
- VOLTAGE (NOMINAL): 12 to 24 VDC
- VOLTAGE (EXTREME): 10 to 30 VDC
- CURRENT (PEAK): 1.25A (@ 12 VDC NOMINAL)
- POWER (MAXIMUM): 15.0W (@ 12 VDC NOMINAL)
- TEMPERATURE RANGE: -22°F (-30°C) TO 122°F (50°C)
- CONNECTION: 2 CONDUCTOR CABLE
- MOUNTING: SINGLE BOLT
- HOUSING MATERIAL: ALUMINUM
- LENS MATERIAL: POLYCARBONATE
- PRODUCT WEIGHT: 0.68 LBS (0.31 Kg)

DISCLAIMER
 DIMENSIONS, ILLUSTRATIONS, SPECIFICATIONS, AND CERTIFICATIONS CONTAINED IN THIS DOCUMENT ARE TYPICAL OF THE ACTUAL PRODUCT AND ARE SUBJECT TO CHANGE. ECCO ENGINEERING DOES NOT MAINTAIN FORMAL DESIGN CONTROL OF THIS PRODUCT.

- NOTES:**
- ROHS COMPLIANT
 - DIMENSIONS IN INCHES[MILLIMETERS (FOR REFERENCE)]

SCALE 1:1.5		APPROVALS	DATE	
CAD GENERATED DRAWING DO NOT MANUALLY UPDATE. MODEL REFERENCED:A		DRAWN BY ABD	2016-02-18	
TOLERANCES ARE IN INCHES, AND MILLIMETERS TOLERANCES UNLESS OTHERWISE STATED ARE:		CHECKED ABB	2016-02-19	
MILLIMETERS DECIMALS XX. ± 1.0mm XX.X ± 0.5mm		MECH. ENG. JLA	2016-02-18	
INCHES DECIMALS X.X ± 0.1 X.XX ± 0.04 X.XXX ± 0.02		ELEC. ENG. JES	2016-02-18	WORKLAMP, 5 LED, OVAL, MINI, 12-24V, FLOOD
ANGLES ± 0.5° FRACTIONS ± 1/64		TEST ENG. JRT	2016-02-22	
THIRD ANGLE PROJECTION		SALES. JPT	2016-02-19	
		CUSTOMER PART NO. EW2491		PRODUCT SERIES: EW2491
NON DISCLOSURE AGREEMENT		SIZE: A	DWG. NO. EW2491	REV. C
<small>THIS DRAWING AND THE DESIGN IT DISCLOSES ARE THE PRIVATE PROPERTY OF ESG AND IS ISSUED IN CONFIDENCE FOR ENGINEERING INFORMATION ONLY. THE DRAWING AND / OR DESIGN MAY NOT BE USED, COPIED, REPRODUCED, OR OTHERWISE DISCLOSED IN PART OR AS A WHOLE TO OUTSIDERS OR USED FOR ANY OTHER PURPOSE WITHOUT THE PRIOR WRITTEN CONSENT OF ESG. THE DRAWING IS SUBJECT TO RECALL AT ANY TIME. YOUR POSSESSION OF THIS DOCUMENT CONSTITUTES ACCEPTANCE OF THESE TERMS. © 2015 ECCO</small>		Electronically Controlled Use Latest Copy SHEET 1 OF 1 Project: LM14265 Date Created: 2015-09-15		