



Installation and Operation Instructions EW3007-F AND EW2604 WORKLIGHTS

IMPORTANT! Read all instructions before installing and using. Installer: This manual must be delivered to the end user.



Do not install and/or operate this safety product unless you have read and understand the safety information contained in this manual.

1. Proper installation combined with operator training in the use, care, and maintenance of emergency safety devices are essential to ensure the safety of you and those you are seeking to protect.
2. Exercise caution when working with live electrical connections.
3. This product must be properly grounded. Inadequate grounding and/or shorting of electrical connections can cause high current arcing, which can cause personal injury and/or severe vehicle damage, including fire.
4. Proper placement and installation are vital to the performance of this safety device. Install this product so that output performance of the system is maximized and the controls are placed within convenient reach of the operator so that s/he can operate the system without losing eye contact with the roadway.
5. Do not install this product or route any wires in the deployment area of an air bag. Equipment mounted or located in an air bag deployment area may reduce the effectiveness of the air bag or become a projectile that could cause serious personal injury or death. Refer to the vehicle owner's manual for the air bag deployment area. It is the responsibility of the user/operator to determine a suitable mounting location ensuring the safety of all passengers inside the vehicle particularly avoiding areas of potential head impact.
6. It is the responsibility of the vehicle operator to ensure during use that all features of this product work correctly. In use, the vehicle operator should ensure the projection of the safety signal is not blocked by vehicle components (i.e., open trunks or compartment doors), people, vehicles or other obstructions.
7. The use of this or any other safety device does not ensure all drivers can or will observe or react to a warning signal. Never take the right-of way for granted. It is your responsibility to be sure you can proceed safely before entering an intersection, driving against traffic, responding at a high rate of speed, or walking on or around traffic lanes.
8. This equipment is intended for use by authorized personnel only. The user is responsible for understanding and obeying all laws regarding warning signal devices. Therefore, the user should check all applicable city, state, and federal laws and regulations. The manufacturer assumes no liability for any loss resulting from the use of this safety device.

Note: Black die cast aluminum housing gets very hot to the touch after operating constantly for several hours.

Specifications:

Size:

EW3007-F	3.3"W X 3.3"H X 3.0"D
EW2604	7.0"W X 4.3"H X 2.8"D

Peak Current Draw at 12.8 VDC:

EW3007-F	1.0A
EW2604	2.1A

Weight:

EW3007-F	1.3 lbs.
EW2604	2.8 lbs.

Max Power Draw at 12.8 VDC:

EW3007-F	13.1W
EW2604	26.9W

Voltage: 12-24 VDC

Temperature Range: -40° to 150°F
-40° to 65°C

Prior to installation:

Carefully remove the unit from its packaging. If damage is found, contact the transit company or ECCO. Do not use broken or damaged parts. Prior to mounting, consideration should be given to cable location.

EW3007-F Mounting:

1. Drill a hole in the mounting surface matching the hole in the bracket.
2. Insert the hex head bolt through the center of the mounting bracket and loosely assemble the bracket onto the light as shown.
3. Secure the light in place with the supplied hardware. Adjust the light beam angle as needed before tightening the screw on each side with the included hex key.

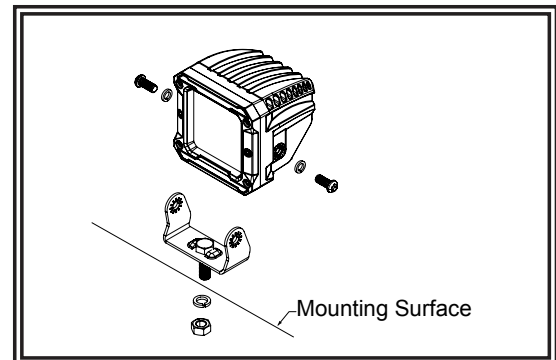


FIGURE 1

EW2604 Mounting:

1. Disassemble the mounting bracket from the light. Drill two holes in the mounting surface matching the holes in the bracket.
2. Insert the hex head bolts through the mounting bracket and loosely assemble the bracket onto the light as shown.
3. Secure the light in place with the supplied hardware. Adjust the light beam angle as needed before tightening the screw on each side.

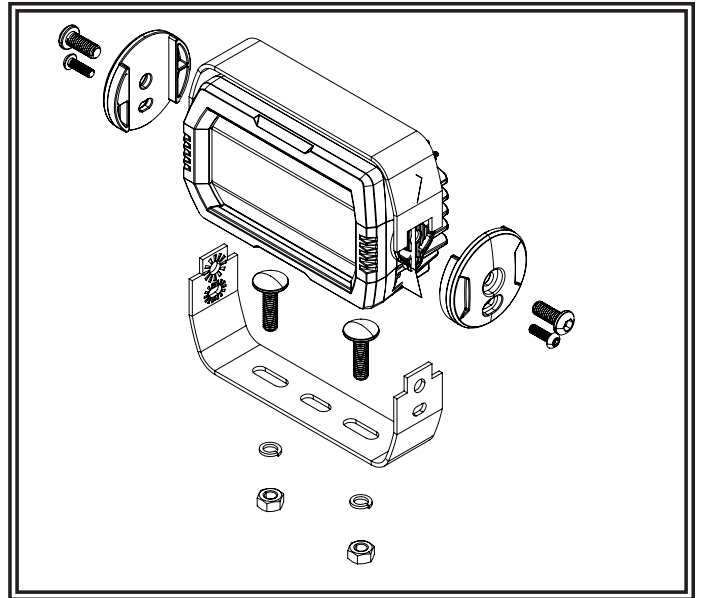


FIGURE 2

WIRING:

The wiring configuration is as shown in Figure 3. All wiring should be a minimum of 16 AWG. The positive line must have a slow blow 5 amp fuse. Routing the ground wire directly back to negative battery terminal is recommended. Pack dielectric grease, such as Dow Corning 4, around each electric connection exposed to moisture or the ambient environment. The red wire operates the spot light LEDs and the green wire operates the position LEDs. Red wire and green wire together will operate both the spot light LEDs and the position LEDs. In-line switches are optional. Fuse and switches are not included.

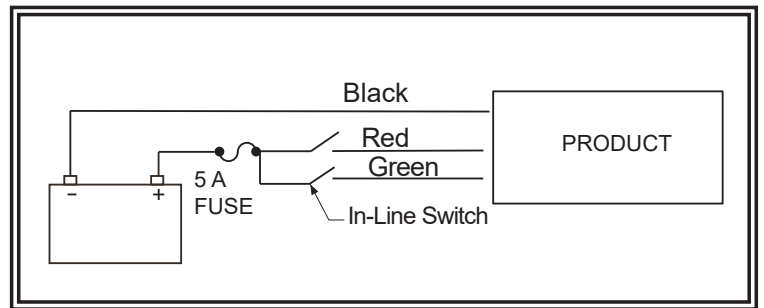


FIGURE 3