



ECCO[®]

Installation and Operation Instructions EW4008 DOT LIGHT KIT

IMPORTANT! Read all instructions before installing and using. Installer: This manual must be delivered to the end user. ECCO is not responsible for the misuse of products by un-authorized personnel.



WARNING!

Failure to install or use this product according to manufacturer's recommendations may result in property damage, serious bodily/personal injury, and/or death to you and those you are seeking to protect! Check wattage before installing light to avoid possible equipment damage.



Do not install and/or operate this safety product unless you have read and understand the safety information contained in this manual.

1. Proper installation combined with operator training in the use, care, and maintenance of emergency safety devices are essential to ensure the safety of you and those you are seeking to protect.
2. Exercise caution when working with live electrical connections.
3. This product must be properly grounded. Inadequate grounding and/or shorting of electrical connections can cause high current arcing, which can cause personal injury and/or severe vehicle damage, including fire.
4. Proper placement and installation are vital to the performance of this safety device. Install this product so that output performance of the system is maximized and the controls are placed within convenient reach of the operator so that s/he can operate the system without losing eye contact with the roadway.
5. Do not install this product or route any wires in the deployment area of an air bag. Equipment mounted or located in an air bag deployment area may reduce the effectiveness of the air bag or become a projectile that could cause serious personal injury or death. Refer to the vehicle owner's manual for the air bag deployment area. It is the responsibility of the user/operator to determine a suitable mounting location ensuring the safety of all passengers inside the vehicle particularly avoiding areas of potential head impact.
6. It is the responsibility of the vehicle operator to ensure during use that all features of this product work correctly. In use, the vehicle operator should ensure the projection of the safety signal is not blocked by vehicle components (i.e., open trunks or compartment doors), people, vehicles or other obstructions.
7. The use of this or any other safety device does not ensure all drivers can or will observe or react to a warning signal. Never take the right-of-way for granted. It is your responsibility to be sure you can proceed safely before entering an intersection, driving against traffic, responding at a high rate of speed, or walking on or around traffic lanes.
8. This equipment is intended for use by authorized personnel only. The user is responsible for understanding and obeying all laws regarding warning signal devices. Therefore, the user should check all applicable city, state, and federal laws and regulations. The manufacturer assumes no liability for any loss resulting from the use of this safety device.

Note:

The product gets very hot to the touch after operating constantly for several hours.

Specifications:

Overall dimensions: 9.81" x 3.36" x 3"

Weight: 2.70 lbs. / 1.23 kg

Input Voltage: 12-24VDC

Temp. Range: -40° to 65°C
-40° to 150°F

Power Consumption for low beams (per light): 20W Max
Power Consumption for high beams (per light): 36W Max
Power Consumption for indicator light (per light): 20W Max
Power Consumption for parking light (per light): 1W Max

Current Draw at 13.8VDC per light:

High Beams: 2.68A Max
Low Beams: 1.72A Max
Parking Light: 0.72A Max
Indicator Light: 1.48A Max

Installation Instructions:

Carefully examine the unit for damage before installation. If damage is found, contact the transit company or ECCO. Do not use broken or damaged parts.

Prior to mounting, consideration should be given to cable location. The mounting location should be chosen such that there is maximum visibility to the oncoming traffic.

Bracket Mounting:

1. Select a mounting location for the unit on a flat surface.
2. Secure the light head with the supplied hardware as shown in Figure 1.

Aiming Instructions:

Installer is responsible for ensuring the headlights are aimed properly such that beams comply with current highway regulations. Beams should project the same distance ahead as compliant OEM headlights.

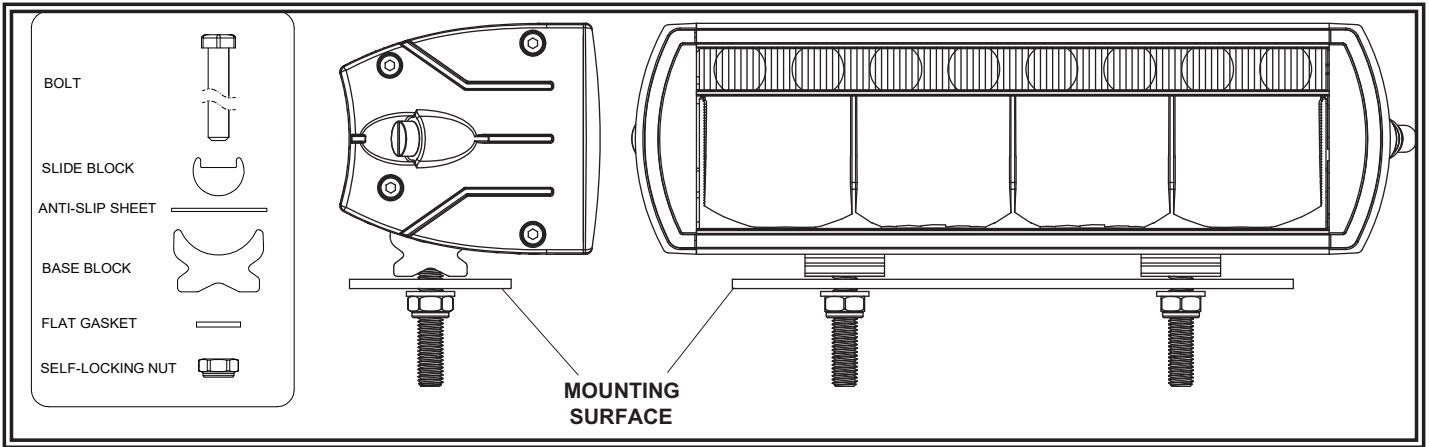


FIGURE 1

Wiring Instructions:

Important! Disable power before wiring the product.

The wiring configuration is as shown in Figure 2. Use the supplied mating connector. All wiring should be a minimum of 18 AWG. The positive line must have a slow blow 25 amp fuse. Routing the ground wire directly back to negative battery terminal is recommended. Pack dielectric grease, such as Dow Corning 4, around each electric connection exposed to moisture or the ambient environment.

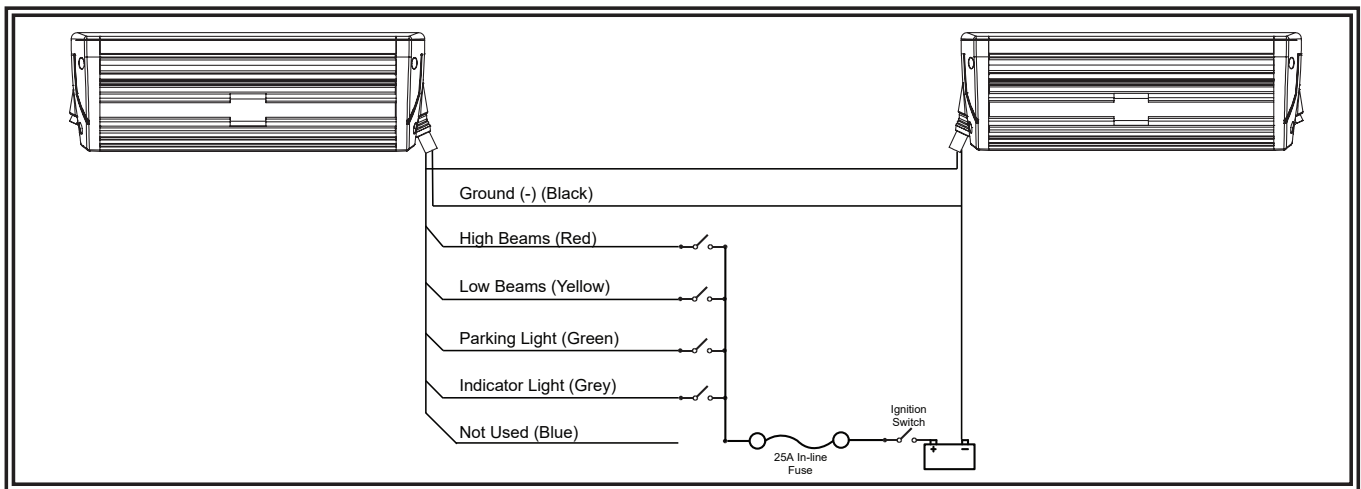


FIGURE 2

Replacement Parts and Accessories:

Description	Part No.
Single DOT Light Replacement	EZ4008-LIGHT
Mounting Kit Replacement	EZ4008-MK
3m Wire Harness Replacement	EZ4008-WIRE