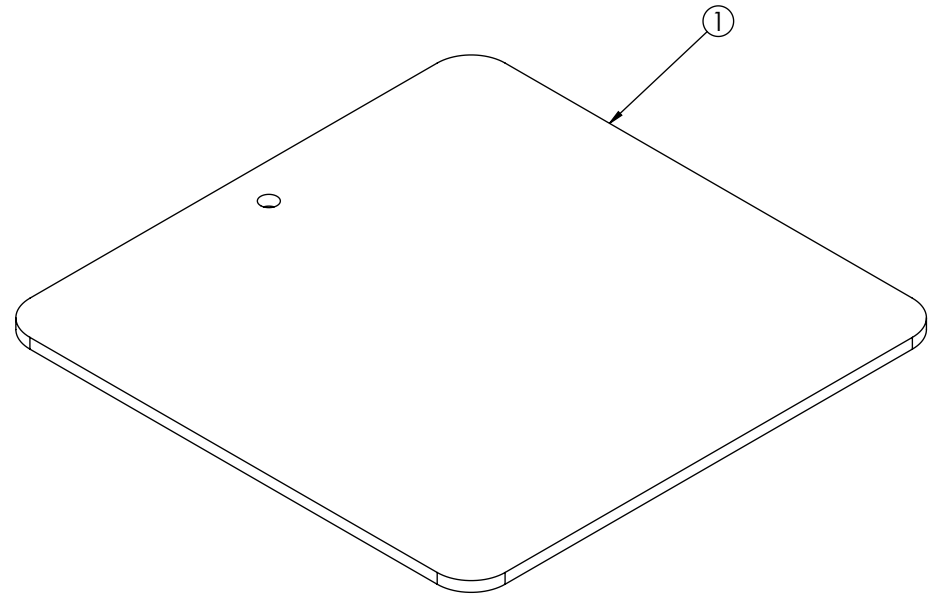
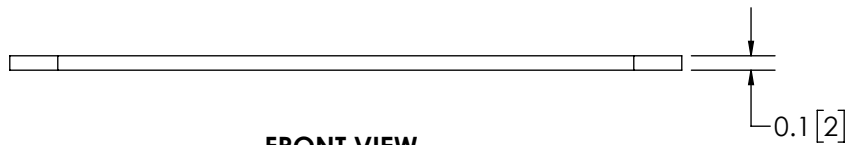


TOP VIEW



ISOMETRIC VIEW



FRONT VIEW

REVISION HISTORY		
REV.	DESCRIPTION	DATE
03	REVISED PER EP0020	2017-05-05
04	REVISED PER EP0020	2017-06-16
A	INITIAL RELEASE PER EP0020	2017-06-20

ITEM NO.	QTY.	DESCRIPTION	COMMENTS
1	1	ASSY,TEMP,MOUNT,PLATE,MAG	
2	1	SHEET,INSTRUCTION,EZ2000HBT	NOT SHOWN
3	1	BAG,RECLOSEABLE,4 X 6 4 MIL	NOT SHOWN
4	2	ALCOHOL_CLEANING_PAD_70%IPA	NOT SHOWN

- NOTES:**
1. MATERIAL: POWDER COATED STEEL
 2. BLACK
 3. WEIGHT: 0.3 LBS
 4. MOUNTING: VHB TAPE
 5. DIMENSIONS IN INCHES[MILLIMETERS (FOR REFERENCE)]

SCALE 1:1		APPROVALS	DATE						
CAD GENERATED DRAWING DO NOT MANUALLY UPDATE. MODEL REFERENCED: A		DRAWN BY	2017-06-16						
		CHECKED ABD	2017-06-16						
TOLERANCES ARE IN INCHES, AND MILLIMETERS TOLERANCES UNLESS OTHERWISE STATED ARE:		MECH. ENG. NMT	2017-06-19						
		ELEC. ENG.							
<table border="1"> <tr> <th>MILLIMETERS DECIMALS</th> <th>INCHES DECIMALS</th> <th>ANGLES</th> </tr> <tr> <td>XX. ± 1.0mm XX.X ± 0.5mm</td> <td>X.X ± 0.1 X.XX ± 0.04 X.XXX ± 0.02</td> <td>± 0.5° FRACTIONS ± 1/64</td> </tr> </table>		MILLIMETERS DECIMALS	INCHES DECIMALS	ANGLES	XX. ± 1.0mm XX.X ± 0.5mm	X.X ± 0.1 X.XX ± 0.04 X.XXX ± 0.02	± 0.5° FRACTIONS ± 1/64	TEST ENG. JRT	2017-06-19
		MILLIMETERS DECIMALS	INCHES DECIMALS	ANGLES					
XX. ± 1.0mm XX.X ± 0.5mm	X.X ± 0.1 X.XX ± 0.04 X.XXX ± 0.02	± 0.5° FRACTIONS ± 1/64							
		SALES. ARS	2017-06-19						



ACCESSORY, METAL PLATE, HBT MOUNT

CUSTOMER PART NO. EZ2000HBT		PRODUCT SERIES:	
SIZE: A	DWG. NO. EZ2000HBT	REV. A	
SHEET 1 OF 1		Project: EP0020	Date Created: 2017-04-24

NON DISCLOSURE AGREEMENT
THIS DRAWING AND THE DESIGN IT DISCLOSES ARE THE PRIVATE PROPERTY OF ELECTRONIC CONTROLS CO. AND IS ISSUED IN CONFIDENCE FOR ENGINEERING INFORMATION ONLY. THE DRAWING AND / OR DESIGN MAY NOT BE USED, COPIED, REPRODUCED, OR OTHERWISE DISCLOSED IN PART OR AS A WHOLE TO OUTSIDERS OR USED FOR ANY OTHER PURPOSE WITHOUT THE PRIOR WRITTEN CONSENT OF ELECTRONIC CONTROLS CO. THE DRAWING IS SUBJECT TO RECALL AT ANY TIME. YOUR POSSESSION OF THIS DOCUMENT CONSTITUTES ACCEPTANCE OF THESE TERMS. © 2017 ELECTRONIC CONTROLS CO.

