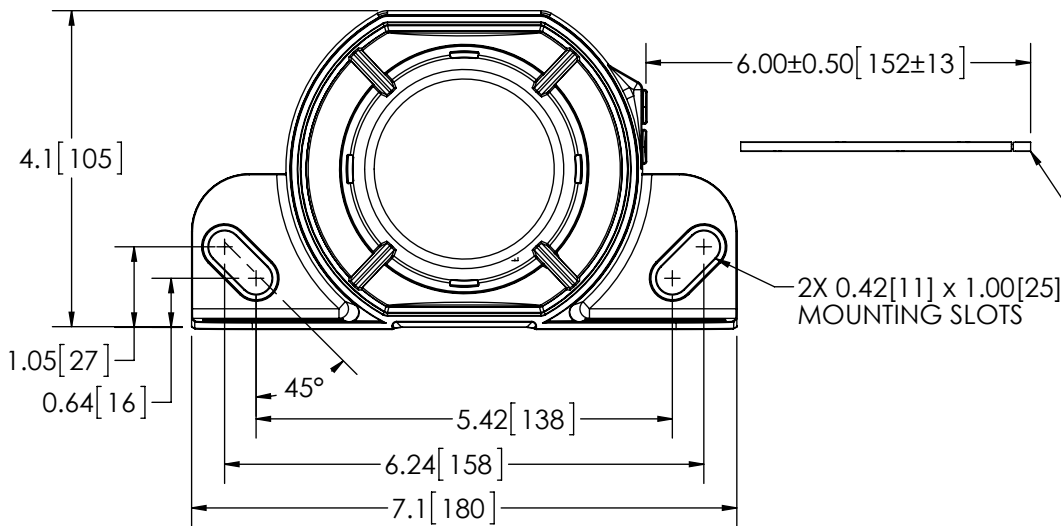


REVISION HISTORY

REV.	DESCRIPTION	DATE
01	PRELIMINARY RELEASE PER P10023	2013-10-01
02	REVISED PER P10023	2013-10-17
A	INITIAL RELEASE PER P10023	2013-10-23

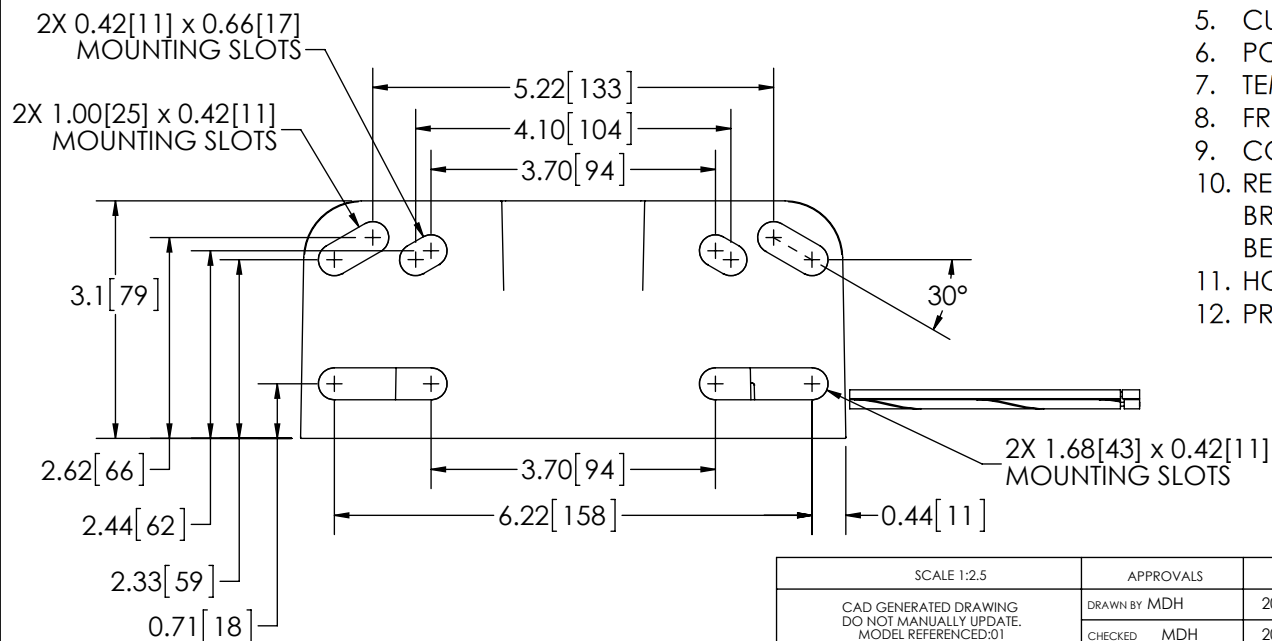


SPECIFICATIONS

- CERTIFICATIONS: **CE**; e; SAE J994 (MAR. 2009) TYPE F: 87-112;

Note: Unique components, accessories, and hardware kits are not typically included in the Product Certification Test Protocols. Unless otherwise Specified, the Product Certifications referred to herein are predicated upon the base product model configuration.

- SOUND PRESSURE LEVEL: 87 to 112 ± 4 dB (A) @ 1.2m (4ft)
- VOLTAGE (NOMINAL): 12 to 24 VDC
- VOLTAGE (EXTREME): 9.0 to 32.0 VDC
- CURRENT (PEAK): 1.5 A (@ 12 VDC NOMINAL)
- POWER (MAXIMUM): 19.1 W (@ 12 VDC NOMINAL)
- TEMPERATURE RANGE: -40°F (-40°C) TO 185°F (85°C)
- FREQUENCY: 700 to 2800 Hz
- CONNECTION: 2-16 AWG LEAD WIRES
- RECOMMENDED MOUNTING: 3/8-16 UNC (BOTTOM BRACKET), 5/16-18 UNC (BACK BRACKET), GRADE 5 OR BETTER, WITH 3/8" OR 5/16" TYPE A SERIES N WASHERS
- HOUSING MATERIAL: GLASS FILLED NYLON
- PRODUCT WEIGHT: 1.75 LBS (0.79 Kg)



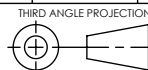
NOTES:
 1. DIMENSIONS IN INCHES[MILLIMETERS(FOR REFERENCE)]

SCALE 1:2.5		APPROVALS	DATE
CAD GENERATED DRAWING DO NOT MANUALLY UPDATE. MODEL REFERENCED:01		DRAWN BY MDH	2013-10-17
		CHECKED MDH	2013-10-18
TOLERANCES ARE IN INCHES, AND MILLIMETERS TOLERANCES ARE:		MECH. ENG. JLA	2013-10-17
		ELEC. ENG. JES	2013-10-17
MILLIMETERS DECIMALS XX. ± 1.0mm XX.X ± 0.5mm	INCHES DECIMALS X.X ± 0.1 X.XX ± 0.04 X.XXX ± 0.02	ANGLES ± 0.5° FRACTIONS ± 1/64	TEST ENG. JRT 2013-10-17
		SALES. DEH	2013-10-22



ALARM, SMART, 87-112 DB, 12-24 VDC, GFN

CUSTOMER PART NO. SA914N		PRODUCT SERIES: SA914	
SIZE: A	DWG. NO. SA914N	REV. A	
Electronically Controlled Use Latest Copy		SHEET 1 OF 1	Project: P10023 Date Created: 2013-10-01



NON DISCLOSURE AGREEMENT