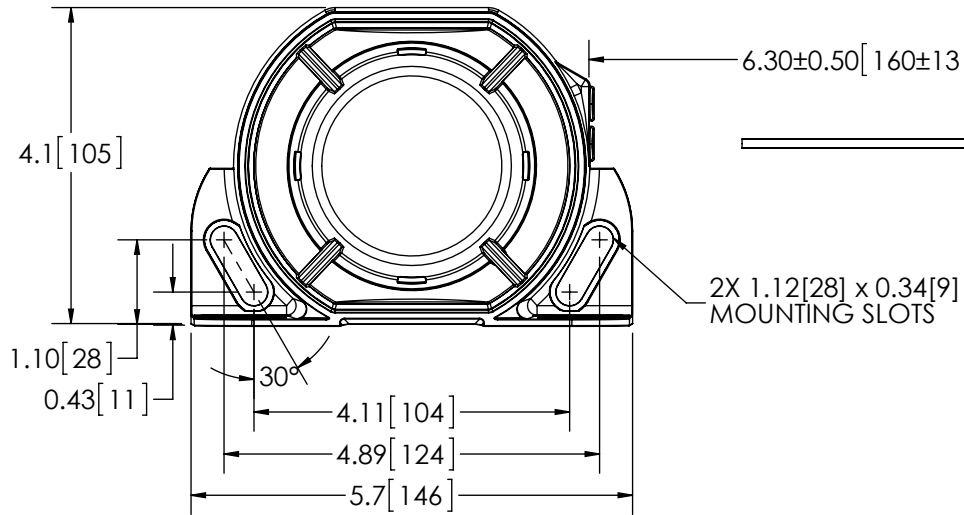


REVISION HISTORY		
REV.	DESCRIPTION	DATE
03	REVISED PER P10023	2013-10-22
04	REVISED PER P10023	2013-10-31
A	INITIAL RELEASE PER P10023	2013-11-12



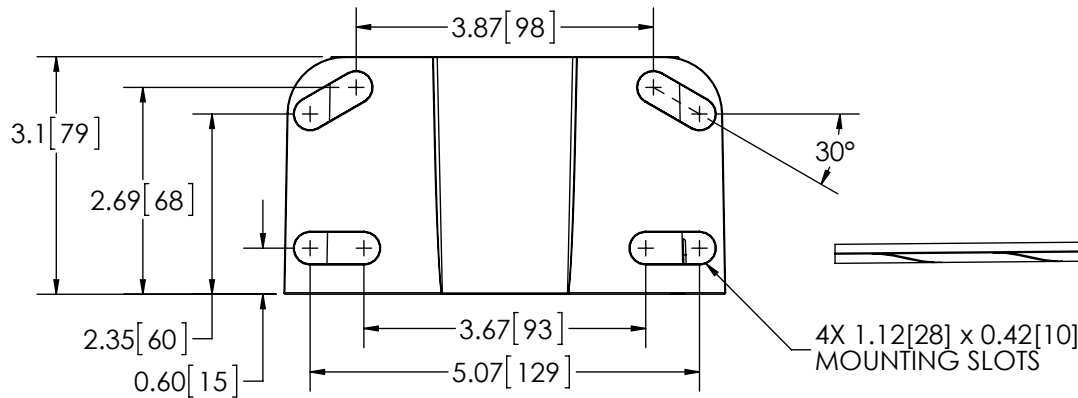
2-16 AWG WIRES
 RED/WHT: POSITIVE(+)
 BLACK: NEGATIVE(-)

SPECIFICATIONS


- CERTIFICATIONS: **CE**; e; SAE J994 (MAR. 2009) TYPE F: 87-112 dB(A);

Note: Unique components, accessories, and hardware kits are not typically included in the Product Certification Test Protocols. Unless otherwise Specified, the Product Certifications referred to herein are predicated upon the base product model configuration.

- SOUND PRESSURE LEVEL: 87 to 112 ± 4 dB (A) @ 1.2m (4ft)
- VOLTAGE (NOMINAL): 12 to 24 VDC
- VOLTAGE (EXTREME): 9.0 to 32.0 VDC
- CURRENT (PEAK): 1.5 A (@ 12 VDC NOMINAL)
- POWER (MAXIMUM): 19.1 W (@ 12 VDC NOMINAL)
- TEMPERATURE RANGE: -40°F (-40°C) TO 185°F (85°C)
- FREQUENCY: 700 to 2800 Hz
- CONNECTION: 2 - 16 AWG WIRES
- RECOMMENDED MOUNTING: 3/8-16 UNC (BOTTOM BRACKET), 5/16-18 UNC (BACK BRACKET), GRADE 5 OR BETTER, WITH 3/8" or 5/16" TYPE A SERIES N WASHERS
- HOUSING MATERIAL: GLASS FILLED NYLON
- PRODUCT WEIGHT: 1.7 LBS (0.77 Kg)



NOTES:
 1. DIMENSIONS IN INCHES [MILLIMETERS (FOR REFERENCE)]

SCALE 1:2.5		APPROVALS	DATE	 ALARM, SMART, 87-112DBA, 12-24VDC, GFN	
CAD GENERATED DRAWING DO NOT MANUALLY UPDATE. MODEL REFERENCED: A		DRAWN BY: SNS	2013-10-31		
TOLERANCES ARE IN INCHES, AND MILLIMETERS TOLERANCES ARE:		CHECKED: MDH	2013-10-31		
MILLIMETERS DECIMALS: XX. ± 1.0mm XX.X ± 0.5mm		MECH. ENG.: JLA	2013-10-31		
INCHES DECIMALS: X.X ± 0.1 X.XX ± 0.04 X.XXX ± 0.02		ELEC. ENG.: JES	2013-10-31	CUSTOMER PART NO. SA917N	
ANGLES: ± 0.5° FRACTIONS: ± 1/64		TEST ENG.: JRT	2013-10-31		PRODUCT SERIES: SA917
THIRD ANGLE PROJECTION		SALES: DEH	2013-11-01		
NON DISCLOSURE AGREEMENT		SIZE: A		DWG. NO. SA917N	REV. A
<small>THIS DRAWING AND THE DESIGN IT DISCLOSES ARE THE PRIVATE PROPERTY OF ECCO AND IS ISSUED IN CONFIDENCE FOR ENGINEERING INFORMATION ONLY. THE DRAWING AND / OR DESIGN MAY NOT BE USED, COPIED, REPRODUCED, OR OTHERWISE DISCLOSED IN PART OR AS A WHOLE TO OUTSIDERS OR USED FOR ANY OTHER PURPOSE WITHOUT THE PRIOR WRITTEN CONSENT OF ECCO. THE DRAWING IS SUBJECT TO RECALL AT ANY TIME. YOUR POSSESSION OF THIS DOCUMENT CONSTITUTES ACCEPTANCE OF THESE TERMS. © 2013 ECCO</small>		Electronically Controlled Use Latest Copy		SHEET 1 OF 1 Project: P10023	Date Created: 2013-09-23