

QUICK INSTALL GUIDE

CTS₂



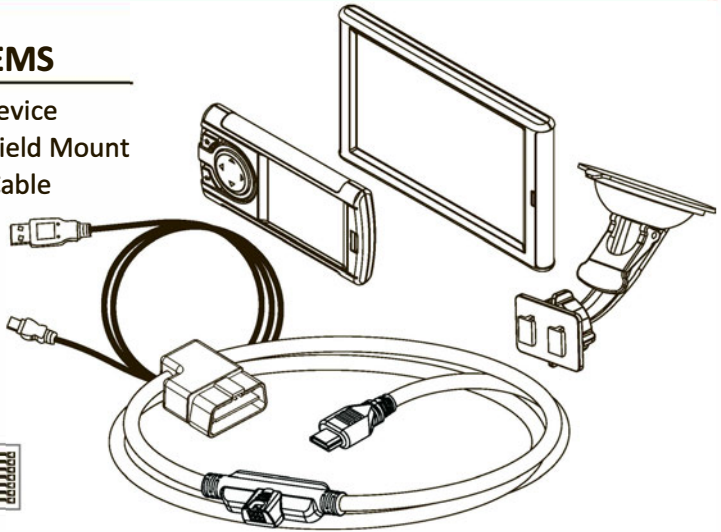
CS₂

EDGE

CS2/CTS2 QUICK INSTALL INSTRUCTIONS

SUPPLIED ITEMS

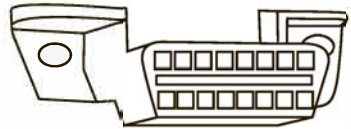
- CS2 or CTS2 Device
- Arkon Windshield Mount
- OBDII/HDMI Cable
- USB Cable
- Alcohol Wipe
- Zip Tie Packet



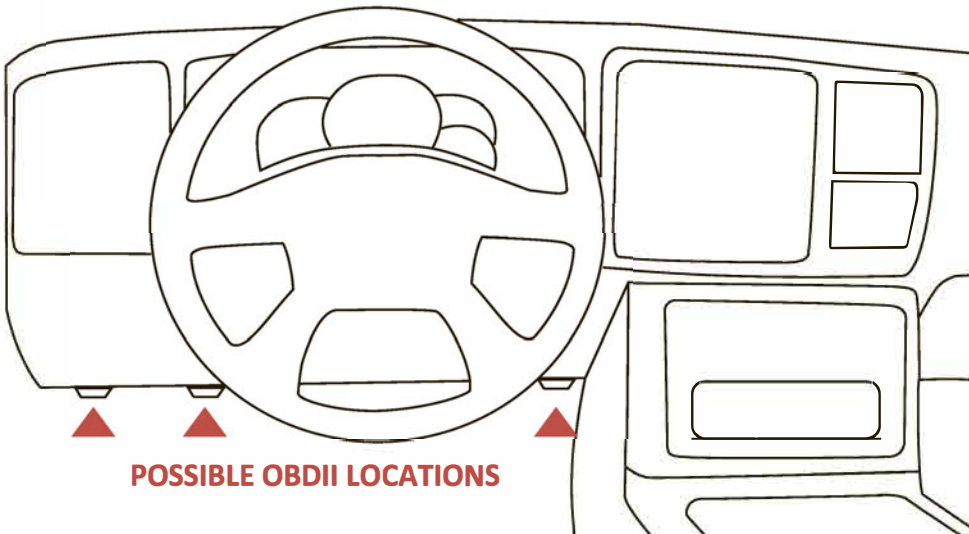
Step 1: *Locate OBDII Port*

LOCATE THE OBDII PORT

The OBDII port is a 16-pin connector like the illustration to the right.



The OBDII port is located under the dash below the steering wheel. The OBDII port is placed in different locations under the dash for different applications; refer to the OBDII port location drawing (below) to help you locate your OBDII port.

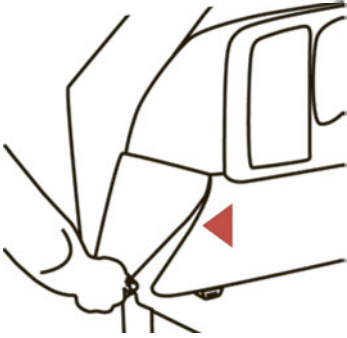


POSSIBLE OBDII LOCATIONS

Step 2:

Connect/Route the OBDII/HDMI Cable

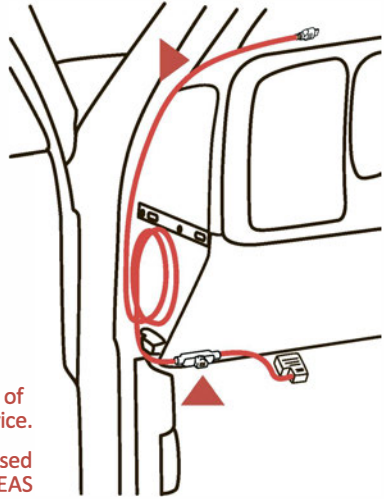
CONNECT/ROUTE THE OBDII CABLE



Remove the panel on the side of the dashboard to provide access to route the OBDII/HDMI cable from the OBDII port up to the top of the dash.

**On some vehicles you may also need to remove the panel directly under the steering wheel.*

Once you've removed the necessary panels, connect the OBDII cable to the OBDII port, and route the cable under the dash, out the side panel, up between the door seal trim and the edge of the dash. Tuck the cable back as far as you can as you route the HDMI end up to the dash.



**NOTE: Leave 6-10" of cable exposed on top of the dash so you have room to position the device.*

Also, be sure to leave the EAS Input Hub exposed under the dash to allow access to attach any EAS accessories you may want to add.

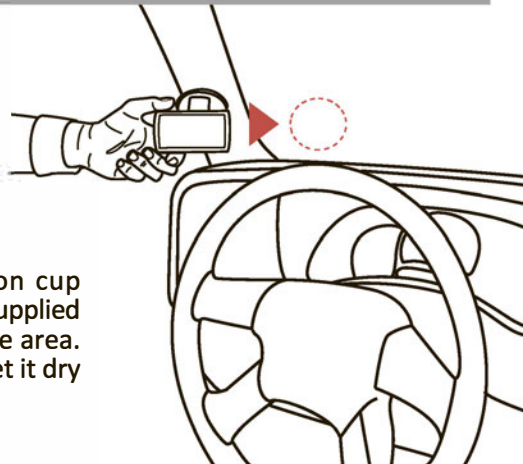
Step 3:

Position Device

POSITION THE DEVICE

Position the device and the mount on the windshield in the desired location. Pay attention to where the suction cup will mount on the windshield.

Once you've identified the suction cup position on the windshield, use the supplied alcohol wipe to thoroughly clean the area. After you've wiped the area clean, let it dry for 2-3 minutes.



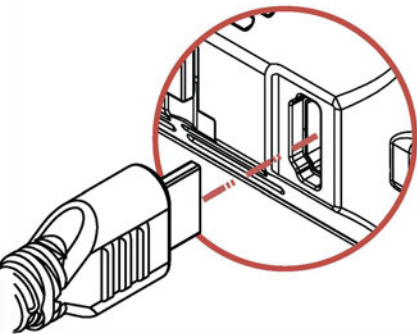
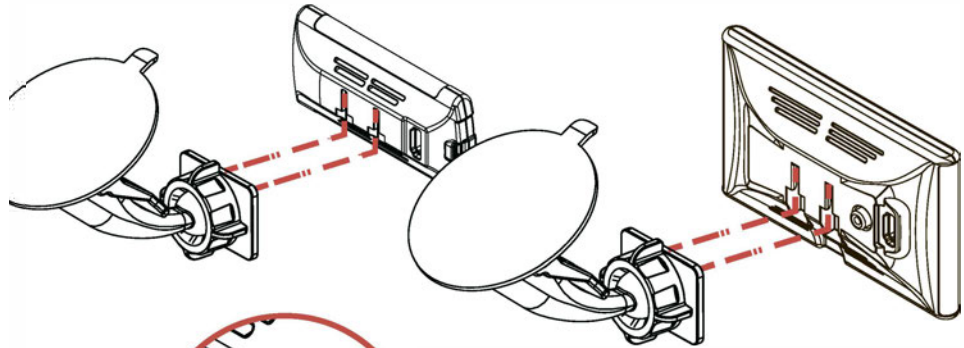
Step 4:

Mount and OBDII/HDMI Cable

CONNECT THE MOUNT AND OBDII/HDMI CABLE

Before you attach the suction cup portion of the mount to the window attach it to the device. Insert the tabs on the mount into the slots on the back of the device and slide up until it stops.

**NOTE: The mounting tabs are a tight fit by design to maintain a solid connection.*



Next, insert the HDMI connector on the end of the OBDII cable into the back of the device (this is easier if done prior to mounting the device on the window).

**NOTE: The device will power on automatically when it detects your vehicle has started. If you wish to power up the device without starting your vehicle, ensure the key is in the run position and touch the screen (CTS2) or press the ENTER button (CS2).*

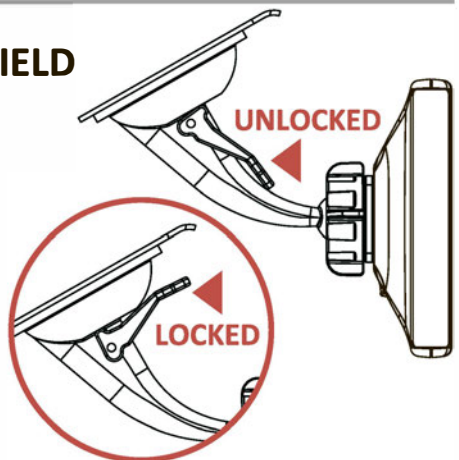
Step 5:

Position and Lock the Device

LOCK DEVICE ON WINDSHIELD

Once the alcohol has dried you're ready to attach the mount to the windshield.

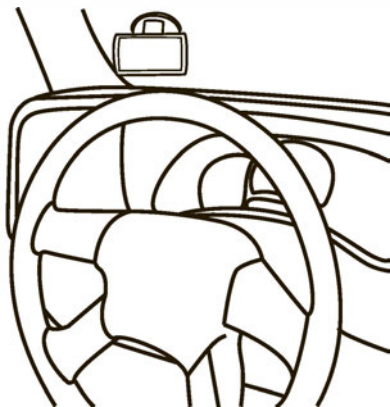
The mount features a locking tab that creates the suction that will lock the mount to the windshield. Make sure the lock is in the "Unlocked" position. Position the mount where you've cleaned the windshield, press firmly, and push the tab to the "Locked" position.



VERIFY POSITION AND VIEWING PLACEMENT

After you've locked the mount and the device is in place on your windshield, sit back in your driver's seat and make sure the viewing angle is as desired. Check to make sure the device does not create a blind spot that may impair your view of the road/traffic/pedestrians from the driver's seat.

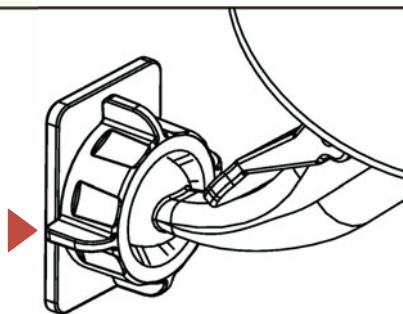
***NOTE:** Some states prohibit mounting devices that may obstruct your view. Please check local and state laws to ensure compliance.



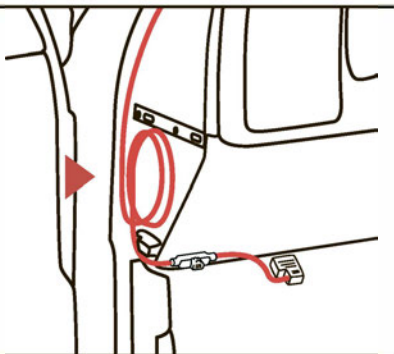
IF NEEDED, USE THE ADJUSTMENT KNOB TO FINE TUNE THE VIEWING ANGLE AND HEIGHT OF THE DEVICE.

VARIABLE ANGLE ADJUSTMENT

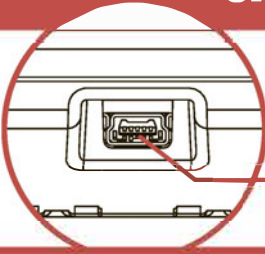
This knob will allow you to adjust the viewing angle of the device in both horizontal and vertical fashions. Use it to fine tune your viewing angle.



After positioning the device and the mount, remove any slack in the cable and coil it behind the side panel you removed earlier. Use the supplied zip ties to secure the coiled cable from moving or falling down under the dash, or interfering with pedal operation. Replace all panels removed during installation.



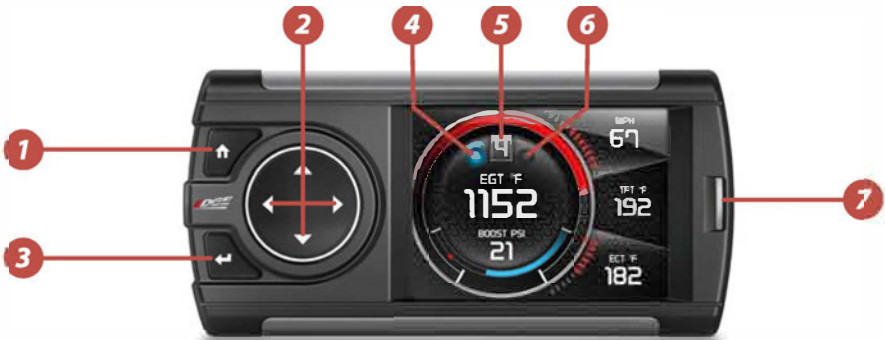
UPDATING YOUR CS2/CTS2



Update your CS2 or CTS2 device to ensure you have the latest software updates and calibration files before installation.

UPDATE PORT
(USB)

CS2 DEVICE DESCRIPTION



CS2 LAYOUT

- 1 Home/Menu Button** - The Home/Menu button gives you access to the main menu or can be used to exit out of a menu screen.
- 2 Arrow Buttons** - Use the Left/Right buttons to toggle between selected gauge screens. When on a gauge screen, on an Attitude CS2, the up/down buttons are used to adjust power levels up/down. The Insight CS2 can also employ the up/down buttons to adjust EFILIVE or Smarty POD power levels (onselect models). In the menus, the up/down buttons are used to select the menu items and increase or decrease values. After pressing the Enter Button on a gauge screen, the arrow buttons can be used to select and edit specific gauge parameters (PIDs).
- 3 Enter Button** - The Enter Button, when pressed from a gauge screen, will allow you to change the gauge parameters (PID, Alert Settings, and Gauge Color). On a menu screen it allows you to select the highlighted option.
- 4 Alert Indicator** - The alert indicator light will illuminate Red when an alert limit is exceeded. When this light is Green it indicates that your Diesel Particulate Filter (DPF) equipped vehicle is performing a regeneration cycle. If the light is blue, your Maintenance Manager is letting you know a maintenance item is due and ready to be serviced.
- 5 Power Level Indicator** - Displays the current power level.
- 6 Back-down Indicator** - (Attitude CS2 with Juice Module) The back-down indicator light will illuminate Yellow when the Juice module is decreasing power added by the device, and when approaching or exceeding the back-down set point limit.
- 7 Light Sensor Window** - This sensor window detects ambient light and automatically adjusts the screen brightness based on current light conditions.

CTS2 INTERFACE/NAVIGATION



CTS2 LAYOUT

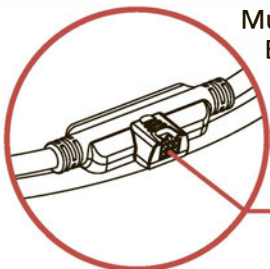
- 1 Notification/Control Center Tab** - Press this upper tab to reveal notifications, adjust power levels and more. Tab will light up to notify you of any pending notifications such as alerts, maintenance items, backdown (Attitude), and regen status (for diesel vehicles with particulate filters).
- 2 Pull-Up Main Menu** - Press this lower tab to reveal the CTS2 Main Menu.
- 3 PIDS** - Press on any displayed gauge parameter (PID) to select a different PID to display, change gauge bar or LED colors, set alerts, etc.
- 4 Screen Swipe** - Swipe the screen left or right to toggle between selected gauge screens and/or view backup camera (sold separately).
- 5 Light Sensor Window** - This sensor window detects ambient light and automatically adjusts the screen brightness based on current light conditions.

- 1 Notification Center** - Displayed notifications such as alerts, maintenance items, backdown (Attitude CTS2), and regen status (for diesel vehicles with particulate filters).
- 2 Home** - Click the "Home" icon at any time to return to your most recently displayed gauge screen.
- 3 Up/Down Buttons** - These buttons are used to toggle the power level up/down on the Attitude CTS2. The Insight CTS2 can also employ the up/down buttons to adjust EFILIVE or Smarty POD power levels (on select models).
- 4 Power Level Indicator** - Displays the current power level.
- 5 Color Mixer Button** - Customize the look of your screen using our custom Color Mixer. Apply any color as your background or adjust the opacity to color-tint your background image.
- 6 Background Button** - Change your background image with the touch of a button.

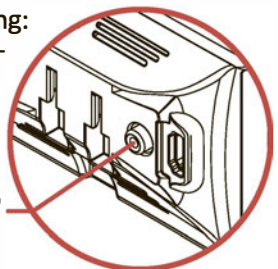
- 1 Pull-Up Main Menu** - The Pull-Up Main Menu allows quick navigation to all specific menu options for efficient control of performance features, monitoring, and customization of your CTS2 device.
- 2 Home** - You can click the "Home" icon at any time to return to your most recently displayed gauge screen.

VIDEO-IN/ACCESSORY PORTS

Multiple accessories are available including: EGT sensors, Back-up camera, vehicle-specific custom mounting solutions, and other temperature and pressure sensors.



**ACCESSORIES
PORT** (EAS Input Hub)



VIDEO-IN PORT
(CTS2 ONLY)

CS2/CTS2 ACCESSORIES

BACK-UP CAMERA/EAS/CUSTOM DASH PODS

Every CTS2 device is compatible with Edge's backup camera. In addition, the CS2 and CTS2 are both compatible with the Expandable Accessory System (EAS) for even greater customization and additional sensor packages. Edge also has a variety of custom dash pods available for various vehicle makes and models.

BACK-UP CAMERA (CTS2 only)

The CTS2 has a built-in video port that allows users to connect the state-of-the-art Edge back-up camera to the CTS2 unit. The camera mode on the CTS2 automatically engages when the vehicle goes into reverse*. The Edge back-up camera comes with night vision capability so you can see in the dark, and all cables and parts necessary to make a clean, easy installation. The CTS2 can also connect to any off-the-shelf back-up camera with an NTSC signal and standard RCA jack.

*auto-engage feature not available for all models



EXPANDABLE ACCESSORY SYSTEM (EAS)

The Expandable Accessory System (EAS) allows users to connect multiple accessories, daisy-chain style to your CS2 or CTS2 device. The EAS allows users to monitor and display dozens of parameters on a single device.

EGT PROBE Connect multiple EGT sensors to monitor temperatures in different locations.

TURBO TIMER Designed to keep an automotive engine running to automatically execute the cool-down period required to prevent premature turbo wear and failure.

EAS UNIVERSAL SENSOR INPUT
Add custom temperature, pressure, Air/Fuel and even Travel/Position sensors using the EAS Universal 5V Sensor Input

EAS
EXPANDABLE ACCESSORY SYSTEM



CUSTOM DASH PODS (for CS2 and CTS2 devices)

Edge offers a wide variety of custom dash pods for various vehicle makes and models. These dash mounts combine with any Edge CS2 or CTS2 (with adapter) device to make your truck look like it came from the factory with the product installed.



Check out the performance chips and programmers we offer.