

Instruction sheet for

Set # 3.4122 2WD & 4WD Extra Cab pickup

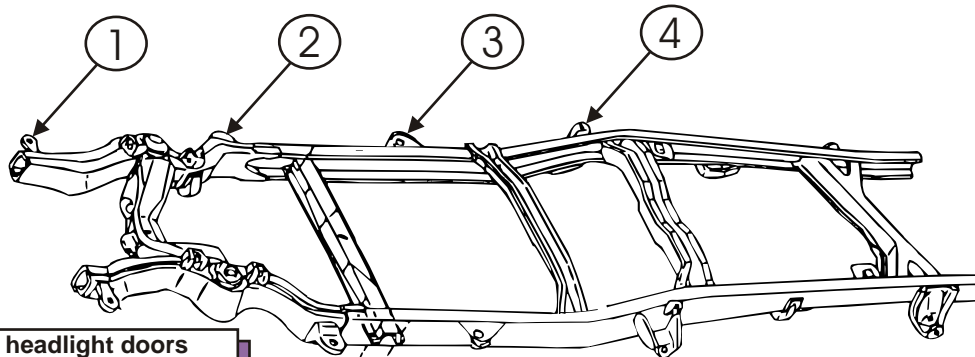
Set # 3.4123 2WD & 4WD STD Cab pickup



Note: It is recommended that this set be professionally installed if you are unfamiliar with this type of work, and a factory service manual be purchased prior to performing any work on your vehicle for proper disassembly, reassembly and torque specs. These instructions are intended for bushing removal and install of Energy Suspension polyurethane bushings, once you have removed the factory component from your vehicle.

NOTE: When disassembling the body mounts, be sure to note the number and position of shims that may have been used to align the body. These shims will have to be reused to retain proper body alignment.

CAUTION: Remove all the body mount bolts on one side of the vehicle. Loosen but do not remove all the body mount bolts on the opposite side of the vehicle. Only raise one side of the vehicle at a time, lifting the body only high enough to remove/replace the mounts. Always watch the fan shroud, brake lines, and various hoses for sufficient clearance when raising the body. When jacking the body, use a 2x4 or equivalent to spread the weight. Never place jack faces directly on body panels! When all mounts and hardware are installed, torque all bolts to factory specifications.



Grill and headlight doors must be removed for access to bolt for position # 1

Position # 1

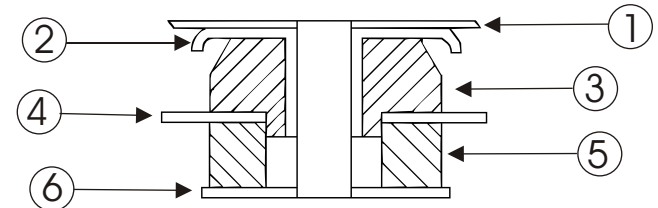
1. Body.
2. Factory sleeve.
3. 4076 upper bushing.
4. Frame.
5. 4078 lower bushing.
6. Factory washer.

Position #2 & #3

Position # 3 used on extra cab only .

1. Body.
2. Factory washer.
3. 4076 Top bushing.
4. Frame.
5. 4079 Lower bushing.
6. Factory washer.

Parts Diagram



Must reuse original hardware

Position # 4

1. Body.
2. Factory washer.
3. 4077 Top bushing.
4. Frame.
5. 4079 Lower bushing.
6. Factory washer.