

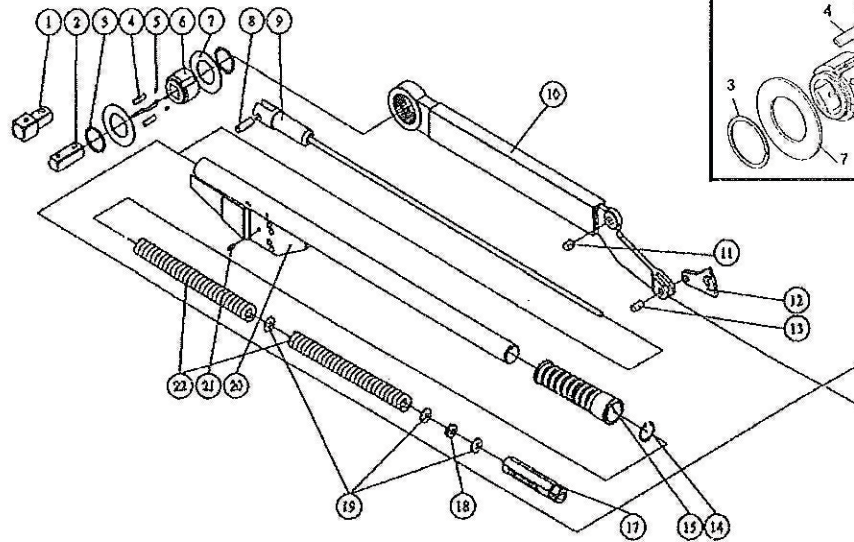


Part Number 10007

Part Number 10010

Break-Back Style

Hand Torque Wrench



ITEM#	DESCRIPTION	Quantity	Part No.
1	3/4"x1" drive	1	040059000019
2	3/4"x3/4" drive	1	040059000017
3	C-Ring	2	030010000058
4	Pawl	4	030106000019
5	Pawl Spring	4	030008000094
6	Driver	1	040030000083
7	Lid	2	030025000023
	head set		150350000059
8	Pluger Threads PIN	1	030022000063
9	Pluger Threads	1	040400000001
10	Ratchet Body Kit	1	040394000001
11	Bearing	1	030043000007
12	brake Pad	1	040411000001
13	brake Pad PIN	1	030022000066
14	G Buckle	1	030038000013
15	handle	1	030416000001
17	Adjusting Nut	1	040414000001
18	bushing	1	030413000001
19	washer	3	030025000024
20	Steel Tube Kit		040403000001
21	PIN		030022000065
22	Spring	2	030114000034
	Male/Male Extension Arm · 3/4"x 3/4"x13"	1	MC343413
	Male/Male Extension Arm · 3/4"x 1" x13"	1	MC44113

Equipment Supply Company

Learn more about wheel and tire service tools we have.