



Forklift & Tractor Jack

10435

4 Ton Capacity

ASSEMBLY & OPERATION INSTRUCTIONS



SAVE THESE INSTRUCTIONS. For your safety and the safety of others around you, read carefully before attempting to install, assemble, service or use this forklift & tractor jack. Observe all safety and warning information. Failure to comply with the information contained within could result in severe, even fatal injury and/or property damage.

GENERAL DESCRIPTION

INTENDED USE-- A versatile jack having a low enough profile to raise forklifts and a high enough profile to raise farm equipment, tractors and some earth moving equipment.

Technical Features

1. Two lift points for numerous lifting applications
2. 2-9/16" low profile height at the scissors end for lifting forklift.
3. Short pump arc provides faster rising and eliminates the need to bend down to get the full pump stroke.
4. Front and rear wheels ensure jack centered under the load.
5. Safety overload valve prevents jack from being beyond its rated capacity.

Important Notice

It is the responsibility of the owner and / or operator to read this instruction manual carefully before using this jack. Proper use and care of the jack will help assure you of continuous, safe, trouble free performance. Failure to follow any of these instructions

may result in property damage or personal injury.

WARNING!

The forklift & tractor jack is designed for raising forklift or other farm equipment only. Use only on hard level surface. Follow safety instructions included with product for safe use.

Safety Warnings

1. This is a lifting device only. Do not use as a dolly while vehicle is on the jack.
2. Do not overload which may cause damage to or failure of the jack.
3. Lifting only on the points suggested or specified by the vehicle manufacturer.
4. Be sure to use jack on hard, level surface ground.
5. Do not work under vehicle while jack is the only support device.
6. Any parts missing or damaged or found to be badly worn, it should be removed from service.
7. Failure to comply with these warning may result in loss of load, damage to jack, and/or failure resulting in personal injury or property damage.

Specifications:

Lifting Weight:	8800 lb (4000 kg)
Lifting Range:	13-3/4" (350 mm)
Min Height:	2-9/16" (65 mm)
Max Height:	16-3/8" (415 mm)

Operation:

Raising the Jack

1. Turn handle knob clockwise, until resistance is felt. Do not over tighten.
2. Place jack directly under vehicles to be lifted. Check the position under slight load to confirm jack or load will not slip, and is properly centered under load.
3. Raise jack by pumping handle until desired height is reached. After lifting, secure load by jack stand or other appropriate means. Do not use jack as the only means of support.

Lowering the Jack

1. Slowly turn handle knob counter-clockwise. Speed of descent is controlled by how much the release valve is opened. Always lower slowly and with caution
2. Always store jack in the fully lowered position.

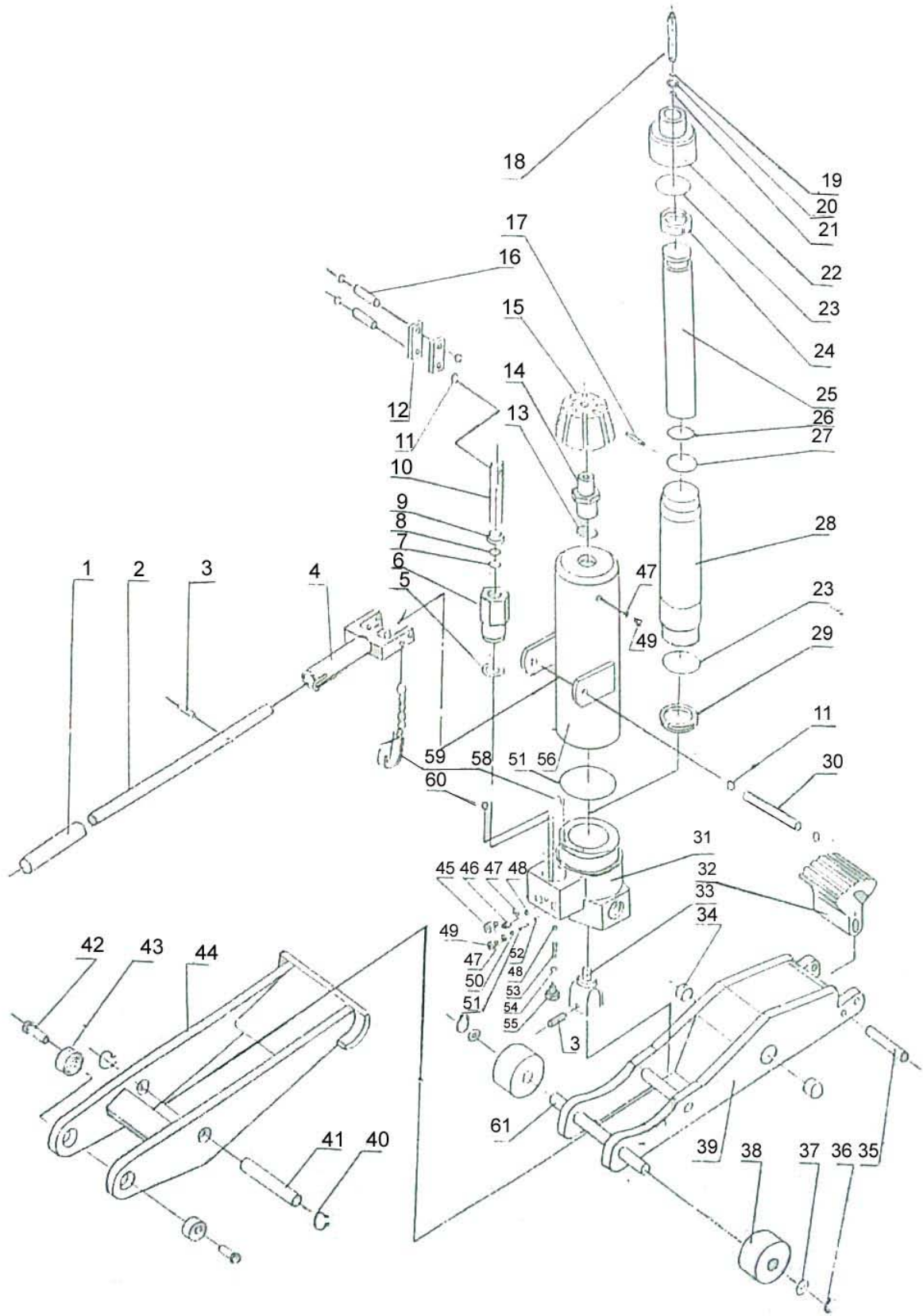
Troubleshooting

1. If jack fails to rise to its limit, or performs poorly, remove oil fill plug (42), and inspect hydraulic oil level.
2. Fill with high quality hydraulic jack oil to the level. Replace oil fill plug and test jack under no load for proper function and operation several times.
3. Sometimes during shipment and handling, air may be flowed into the hydraulic system, causing poor lifting performance. Before initial operation, purge any air from the system by fully opening pump release valve (turn handle knob counter-clockwise). Pump handle rapidly several times and close pump release valve. If jack does not lift properly, please repeat air purging process.

Maintenance

1. All the linkage and moving joints require frequent lubrication. Any chassis grease and motor oil can be used.
2. The jack should be stored in a place being well ventilated and moist-proof.

EXPLODED DRAWING



PARTS LIST: (ITEM NO.:203514A)

Item No.	Description	Qty	Item No.	Description	Qty
1	Handle Grip	1	32	Saddle	1
2	Handle	1	33	Piston Rod Pad	1
3	Pin 6x40	2	34	Bearing	2
4	Handle Base	1	35	Saddle Pin	1
5	Gasket	1	36	Retaining Ring 20	2
6	Pump Housing	1	37	Washer	2
7	O Ring 15.54x2.63	1	38	Wheel	2
8	Back up Ring	1	39	Frame 1	1
9	Wiper	1	40	Retaining Ring 30	2
10	Plunger	1	41	Frame Pin	1
11	Retainer Ring 10	6	42	Screw M12x1.5x35	2
12	Link	2	43	Trunnion	2
13	O Ring 21.5x2.65	1	44	Frame 2	1
14	Retainer Nut	1	45	Bolt	1
15	Release Knob	1	46	Bolt M8x8	1
16	Shaft	2	47	Washer	3
17	Pin 3x20	1	48	Steel Ball 6	2
18	Release Valve Stem	1	49	Screw	2
19	O Ring 8x18	1	50	Screw	1
20	Washer	1	51	Spring	1
21	Retaining Ring	1	52	Valve Rod	1
22	Cylinder Cap	1	53	Spring	1
23	O Ring 47.5x2.65	2	54	Washer	1
24	Piston Segment	3	55	Screw	1
25	Piston Rod	1	56	Oil Tank	1
26	O Ring 37.5x3.55	1	57	O Ring 70.5x2.65	1
27	Back up Ring	1	58	Plug	1
28	Cylinder	1	59	Handle Lock and Chain	1
29	Port Ring	1	60	Steel Ball 8	1
30	Pump Pin	1	61	Axle	1
31	Hex Bolt M12x20	1			

CAUTION!!

- READ INSTRUCTIONS CAREFULLY BEFORE USE. INSPECT JACK BEFORE EACH USE. CHECK FOR DAMAGED WELDS.
- ALWAYS WORK ON A SOLID LEVEL SURFACE, NEVER ROLL ACROSS A SURFACE WITH CRACKS, HOLES OR OTHER OBSTACLES WHICH MIGHT IMPEDE MOVEMENT.
- NEVER EXCEED THE RATED CAPACITY
- FAILURE TO COMPLY WITH ANY OF THESE CAUTIONS MAY CAUSE SERIOUS INJURY