



## **INSTALLATION INSTRUCTIONS**

**2019-2021 DODGE RAM 1500 4WD/2WD**

**3" UNIBALL CONTROL ARM KIT**

**FTS23202**

**NOTE:** TO ORDER WEARABLE REPLACEMENT COMPONENTS DO NOT USE PART NUMBERS SHOWN ON THIS INSTRUCTION SHEET. GO TO FABTECH WEBSITE AND LOOK UP WEARABLE REPLACEMENT PARTS TO FIND THE PROPER PART NUMBER TO ORDER.

**Fabtech Motorsports** | 4331 Eucalyptus Ave. Chino, CA 91710

**Tech Line:** 909-597-7800 | **Fax:** 909-597-7185 | **Web:** [www.fabtechmotorsports.com](http://www.fabtechmotorsports.com)

<b>FTS23203 3" RAM 1500 UNIBALL UCA KIT</b>		
1	FT44541	UNIBALL UPPER CONTROL ARM (DRIVER)
1	FT44542	UNIBALL UPPER CONTROL ARM (PASS)
1	FT44481	HARDWARE SUBASSEMBLY

<b>FT44481 HARDWARE SUBASSEMBLY</b>		
8	FT1037	UPPER CONTROL ARM BUSHING
4	FT194	UPPER CONTROL ARM SLEEVE
1	FT23203i	INSTRUCTIONS
1	FT44510	HARDWARE KIT
2	FT90152	MISALIGNMENT (UPPER)
2	FT90153	MISALIGNMENT (LOWER)
1	FT90154	BEARING CAP KIT
2	FT94526	UNIBALL ADAPTER PIN
1	FTAS12	STICKER FT BLUE 10X4 DIE CUT
1	FTAS16	DRIVER WARNING DECAL
1	FTREGCARD	REGISTRATION CARD
1	FTLUBE	URETHANE LUBE PACKET

<b>FT44510 - HARDWARE KIT</b>		<b>LOCATION</b>
2	12-POINT 1/2-20 BOLT	
4	1/4-28 GREASE FITTING	
4	BLACK ZIP TIE	
2	9/16-18 C-LOCK NUT	
2	9/16-18 SAE WASHER	

<b>K3171DL 3" UNIBALL UCA KIT W/ DIRT LOGIC N/R</b>		
1	FTS23203	3" RAM 1500 UNIBALL UCA KIT
1	FTS23207	2.5" DIRT LOGIC COILOVERS N/R
2	FTS811472	2.25" DIRT LOGIC REAR SHOCK

<b>K3172DL 3" UNIBALL UCA KIT W/ DIRT LOGIC RESI</b>		
1	FTS23203	3" RAM 1500 UNIBALL UCA KIT
1	FTS23208	2.5" DIRT LOGIC COILOVERS RESI
2	FTS811472	2.25 DIRT LOGIC REAR SHOCK

## - TOOL LIST -

### **Required Tools (Not Included)**

Basic Hand Tools  
Floor Jack  
Jack Stands  
Assorted Metric and S.A.E sockets, and Allen wrenches  
Torque Wrench  
Die Grinder w/ Cutoff Wheel or Sawzall

## - PRE-INSTALLATION NOTES -

For technical assistance call: **909-597-7800** or e-mail: **info@fabtechmotorsports.com**

### **READ THIS BEFORE YOU BEGIN INSTALLATION -**

Check all parts to the parts list above before beginning installation. If any parts are missing contact Fabtech at 909-597-7800 and a replacement part will be sent to you immediately.

Read all instructions thoroughly from start to finish before beginning the installation. If these instructions are not properly followed severe frame, driveline and / or suspension damage may occur.

Check your local city and state laws prior to the installation of this system for legality. Do not install if not legal in your area.

Prior to the installation of this suspension system perform a front end alignment and record. Do not install this system if the vehicle alignment is not within factory specifications. Check for frame and suspension damage prior to installation.

The installation of this suspension system should be performed by two professional mechanics.

This suspension must be installed with Fabtech shock absorbers.

Installation of all fasteners requires the use of provided thread locking compound with proper torque values as indicated throughout the installation. Apply thread locking compound upon the final torque of the fastener.

**WARNING-** Installation of this system will alter the center of gravity of the vehicle and may increase roll over as compared to stock.

Vehicles that receive oversized tires should check ball joints, uniballs, tie rods ends, pitman arm and idler arm every 2500-5000 miles for wear and replace as needed.

Verify differential fluid is at manufactures recommended level prior to kit installation. Installation of the kit will reposition the differential and the fill plug hole may be in a different position. (For example, if the manufacture recommends 3 quarts of fluid, make sure the diff has 3 quarts of fluid). Check your specific manual for correct amount of fluid.

### **FOOTNOTES -**

- Cannot use OEM wheel and tire.
- Will not fit factory air suspension.
- Does not fit 2019 Ram 1500 classic models.
- Will not fit diesel models.

# - INSTRUCTIONS -

## FRONT SUSPENSION

1. Disconnect the negative terminal on the battery. Jack up the front end of the truck and support the frame rails with jack stands. **NEVER WORK UNDER AN UNSUPPORTED VEHICLE!** Remove the front tires.
2. Remove the factory transfer case skid plate. Save hardware.
3. Disconnect the factory sway bar end links from the lower control arms.
4. Working from the driver side of the vehicle, disconnect the tie rod end from the steering knuckle by loosening the nut then striking the knuckle to dislodge the tie rod end. **SEE FIGURE 1**



FIGURE 1 - STEP 4

5. Remove the brake line bracket bolt from the frame bucket. Save hardware. **SEE FIGURE 2**



FIGURE 2 - STEP 5

6. Loosen the upper ball joint nut. Using a large hammer, strike the steering knuckle to dislodge the ball joint from the steering knuckle. Remove the factory nut, then remove the factory upper control arm from the truck saving the factory hardware. **SEE FIGURES 3-4**



FIGURE 3 - STEP 6



FIGURE 4 - STEP 6

7. Remove the lower strut bolt. Then, remove the three upper strut assembly nuts. Remove the strut assembly from the vehicle. Save the lower strut hardware. **SEE FIGURE 5**



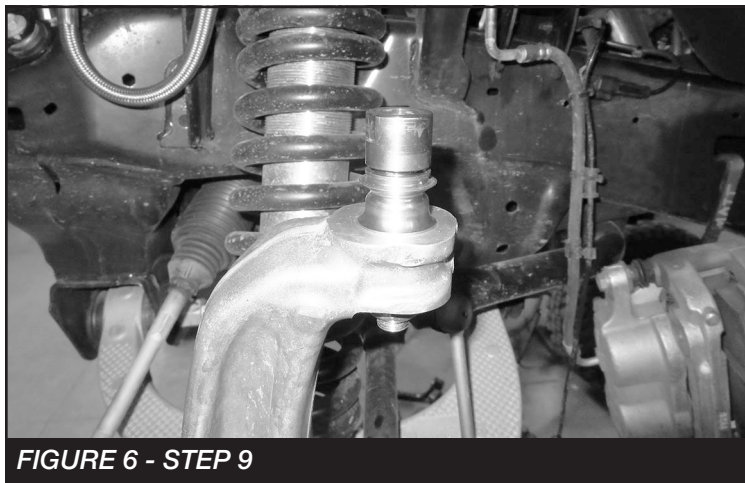
FIGURE 5 - STEP 7

- Repeat steps on the opposite side.

- **Install the Dirt Logic coilovers do so now with the instructions provided.**

8. Locate the new Fabtech control arms, Install four FT1037 bushings, two FT194 sleeves, and two FT84 grease zerks into each arm. Using the supplied grease packet, grease the bushings and sleeves before installing into the control arm.

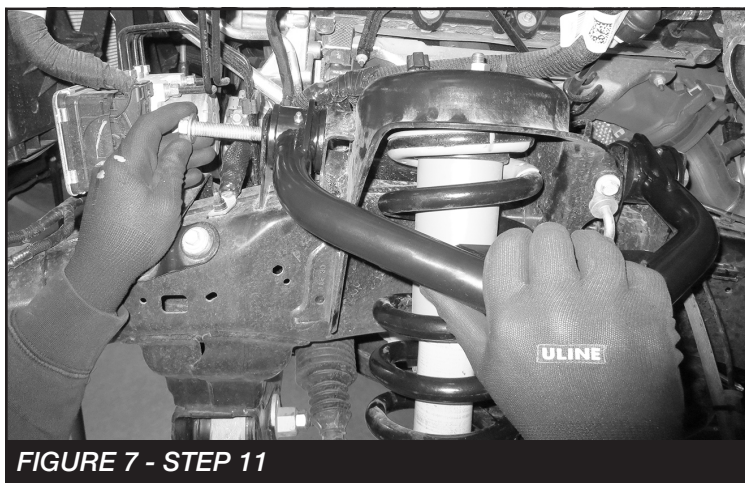
9. Install FT90153 (Lower Misalignment) onto FT94526 (Uniball Pin). Then, install to the knuckle using the provided 9/16" washer and nut. Torque to 120 ft-lbs. **SEE FIGURE 6**



**FIGURE 6 - STEP 9**

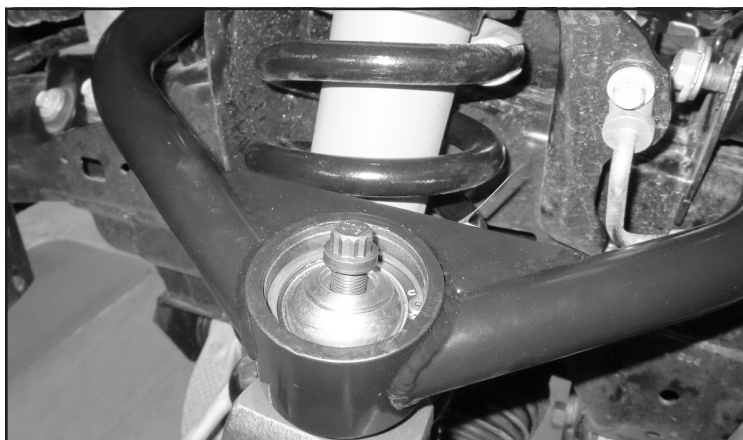
10. Repeat steps on the opposite side.

11. Install the FT44541 (Driver) & FT44542 (Pass) upper control arms using the factory hardware. Leave loose at this time. **SEE FIGURE 7**

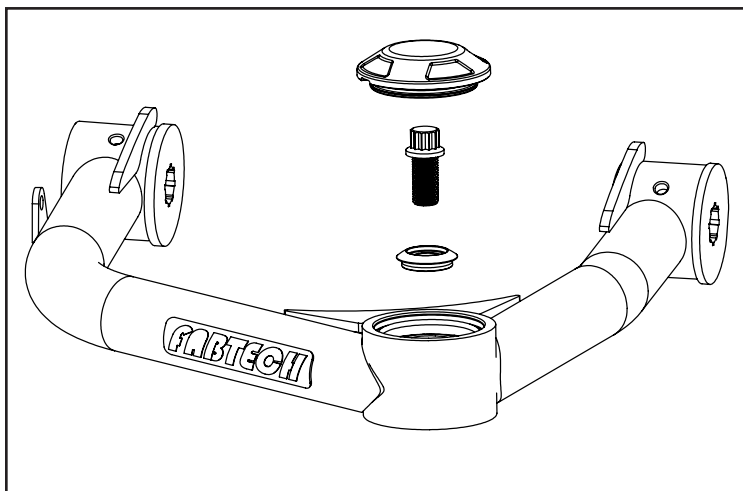


**FIGURE 7 - STEP 11**

12. Attach the new upper control arm to the knuckle by inserting the FT90152 (Upper misalignment) into the uniball bearing then the 1/2-20 - 12 point bolt. Torque to 106 ft-lbs. Install FT90154 (Bearing cap). **SEE FIGURES 8-9**



**FIGURE 8 - STEP 12**



**FIGURE 9 - STEP 12**

13. Repeat steps on the passenger side.

14. Using the supplied thread lock, torque the upper control arm frame pocket hardware to 160 ft-lbs. **NOTE: Removal of the nut may be necessary to apply the thread lock compound.**

15. Reconnect the sway bar end links to the knuckle. Torque to 56 ft-lbs. Reconnect the tie rod ends to the knuckle. Torque to 35 ft-lbs.
16. Install the brake line to the frame using the factory hardware. Torque to 15 ft-lbs.
17. Install tires and wheels and torque lug nuts to wheel manufacturer's specifications. Turn front tires left to right and check for appropriate tire clearance. **Note - Some oversized tires may require trimming of the front bumper & valance.**
18. Check front end alignment and set to factory specifications. Readjust headlights.
19. Recheck all bolts for proper torque.
20. Recheck brake hoses, ABS wires and suspension parts for proper tire clearance while turning tires fully left to right.
21. Check the fluid in the front and rear differential and fill if needed with factory specification differential oil. **Note - some differentials may expel fluid after filling and driving. This can be normal in resetting the fluid level with the new position of the differential/s.**
22. Install Driver Warning Decal. Complete product registration card and mail to Fabtech in order to receive future safety and technical bulletins on this suspension.

**Vehicles that will receive oversized tires should check ball joints, uniballs and all steering components every 2500-5000 miles for wear and replace as required.**

**RETORQUE ALL NUTS, BOLTS AND LUGS AFTER 50 MILES AND PERIODICALLY THEREAFTER.**

For technical assistance call: **909-597-7800**

## - Product Warranty and Warnings -

Fabtech provides a Limited Lifetime Warranty to the original retail purchaser who owns the vehicle, on which the product was originally installed, for defects in workmanship and materials.

The Limited Lifetime Warranty excludes the following Fabtech items; bushings, bump stops, ball joints, tie rod ends, limiting straps, cross shafts, heim joints and driveshafts. These parts are subject to wear and are not considered defective when worn. They are warranted for 60 days from the date of purchase for defects in workmanship.

Dirt Logic and Performance Coilover take apart shocks are considered a serviceable shock with a one year warranty on leakage only. Service seal kits are available separately for future maintenance. All other shocks are covered under our Limited Lifetime Warranty.

Fabtech does not warrant any product for finish, alterations, modifications and/or installation contrary to Fabtech's instructions. Alterations to the finish of the parts including but not limited to painting, powder coating, plating and/or welding will void all warranties. Some finish damage may occur to parts during shipping, which is considered normal and is not covered under warranty.

Fabtech products are not designed nor intended to be installed on vehicles used in race applications or for racing purposes or for similar activities. (A "RACE" is defined as any contest between two or more vehicles, or any contest of one or more vehicle against the clock, whether or not such contest is for a prize). This warranty does not include coverage for police or taxi vehicles, race vehicles, or vehicles used for government or commercial purposes. Also excluded from this warranty are sales outside of the United States of America.

Installation of most suspension products will raise the center of gravity of the vehicle and will cause the vehicle to handle differently than stock. It may increase the vehicle's susceptibility to a rollover, on road and off road, at all speeds. Extreme care should be taken to operate the vehicle safely at all times to prevent rollover or loss of control resulting in serious injury or death. Fabtech front end Desert Guards may impair the deployment or operation of vehicles equipped with supplemental restraining systems/air bag systems and should not be installed if the vehicle is equipped as so.

Fabtech makes every effort to ensure suspension product compatibility with all vehicles listed on the website, but due to unknown auto manufacturer's production changes and/or inconsistencies by the auto manufacturer, Fabtech cannot be responsible for 100% compatibility, including the fitment of tire and wheel sizes listed. The Tire and Wheel sizes listed in Fabtech's website are only a guideline for street driving with noted fender trimming. Fabtech is not responsible for damages to the vehicle's body or tires. Fabtech is not responsible for premature wear of factory components due to the installation of oversized tires and wheels.

Fabtech's obligation under this warranty is limited to the repair or replacement, at Fabtech option, of the defective product only. All costs of removal, installation or re-installation, freight charges, incidental or consequential damages are expressly excluded from this warranty. Fabtech is not responsible for damages and/or warranty of other vehicle parts related or non related to the installed Fabtech product. This warranty is expressly in lieu of all other warranties expressed or implied. This warranty shall not apply to any product that has been subject to accident, negligence, alteration, abuse or misuse as determined by Fabtech.

Fabtech suspension components must be installed as a complete system including shocks as shown on our website. All warranties will become void if Fabtech parts are combined and/or substituted with other aftermarket suspension products. Combination and/or substitution of other aftermarket suspension parts may cause premature wear and/or product failure resulting in an accident causing injury or death. Fabtech does not warrant products not manufactured by Fabtech.

Depending on the condition of the factory suspension components retained after the installation of a Fabtech suspension not all vehicles may have the same ride stance front to rear as described in the website. The blue color of suspension components shown in all Fabtech photographs are for display purposes only. Majority of all Fabtech components will be black specifically where noted with part numbers ending in BK.

Installation of Fabtech product may void the vehicles factory warranty; it is the consumer's responsibility to check with their local vehicle's dealer for warranty disposition before the installation of the product. Some state laws may prohibit modification of suspension to a vehicle in whole or in part. It is the responsibility of the installer and consumer to consult local laws prior to the installation of any Fabtech suspension product to comply with such written laws.

It is the responsibility of the distributor and/or the retailer to review all warranties and warnings of Fabtech products with the consumer prior to purchase.

Fabtech reserves the right to super cede, discontinue, change the design, finish, part number and/or application of parts when deemed necessary without written notice. Fabtech is not responsible for misprints or typographical errors within the website or price sheet. For the most recent Product Warranty and Warnings visit our website [www.fabtechmotorsports.com](http://www.fabtechmotorsports.com)