

DESCRIPTION : ELECTROPNEUMATIC HORN

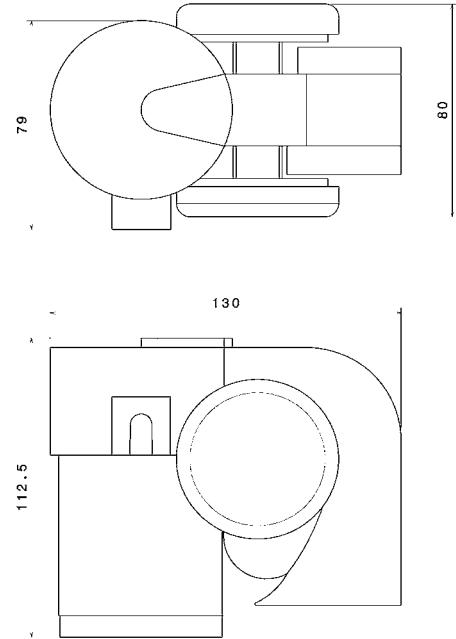
## ULTIMATE BLAST

Part Number 66045

### Main specifications and performances

Nominal voltage	12	Vdc
Voltage range	11,5-13,8	Vdc
Current consumption	19	A
Sound pressure level	115 (2m)	dB(A)
Frequency 'L'	530	Hz
Frequency 'H'	660	Hz
Operating temperature	-30° to +80°	°C
Storage temperature	-30° to +80°	°C
Corrosion resistance	> 120 (salt spray test)	Hours
Operating relative humidity	30 to 80	%
Durability (1 sec ON, 4 sec OFF)	>50 000	Cycles
Continuous blowing	> 3	min
Electrical insulation	1000	Vdc
Vibration (30 min, 3 axis)	1	g
Weight	800	gr
Main Materials	ABS, Steel, Aluminum	gr
Main applications	Motorcycles, Cars, Van, Trucks	

### Dimensions (mm)



### Available Electric al Connection

Two Terminals 6,3x0,8 mm



### Other specifications

**Installation:** Mount the component on a flat and rigid surface in a ventilated position. The component must be away from direct or indirect heat sources and protect from jets of water and mood

**Packaging:** Clam shell

**Master carton:** 12 pieces

### Conformity to Standards of

**PRODUCT** ✓ Reg. 10 ECE  
✓ Reg. 28 ECE

**MANUFACTURING** ✓ ISO/TS 16949  
✓ ISO 9001  
✓ ISO 14001  
✓ QS 9000

### Product and packaging

