





**PERFORMANCE SERIES .....5**

P01001 .....7

P01201 .....9

P01202 .....11

P03501 .....13

P03601 .....15

P03602 .....17

P03603 .....19

P03604 .....21

P03605 .....23

P03606 .....25

P03607 .....27

P03608 .....29

P03609 .....31

P03611 .....33

P03612 .....35

P05701 .....37

P05702 .....39

P05703 .....41

P08001 .....43

P08002 .....45

P08003 .....47

P08004 .....49



**WHISPER SERIES .....51**

W01781 .....53

W01782 .....55

W03081 .....57

W03082 .....59

W03083 .....61



**HYBRID SERIES .....63**

H03651 .....65

H03652 .....67

H05751 .....69

H05752 .....71

H05753 .....73

H05754 .....75

H08051 .....77

H08053 .....79



**ACCESSORIES SERIES .....81**

1002 .....83

1003 .....84

1005 .....85

1006 .....86

1007 .....87

1008 .....88

1009 .....89

# Table of Contents

**“ QUALITY IS  
OUR NUMBER  
ONE PRIORITY ”**

# Our Story

As a wholly-owned subsidiary of the \$108 Billion dollar per year company Sinomach, we have produced over 10 million portable generators over the past 17 years for the worldwide market. For years we have built private label generators for companies such as Ridgid, Kohler and many others! In 2015 we made the decision to bring our manufacturing expertise to North America directly under the FIRMAN brand.

We currently operate four generator manufacturing facilities and have the ability to produce over 3,000 generators PER DAY! Being the manufacturer means we are vertically integrated. That's a fancy way of saying that every FIRMAN generator is 100% FIRMAN from concept to design to engineering to manufacturing and production. When you take a good look at a FIRMAN gen you will see that it's all FIRMAN including our Automatic voltage regulator, carburetor, FIRMAN Fat Head Engine Block, FIRMAN Power Stream Alternator, Air Cleaner, Valve Cover and even the muffler guard.

At FIRMAN quality is our number one priority. Every new model is tested for 500 hours non-stop to make sure we catch any areas for improvement before production. We test all of our generators in a hot/cold room that simulates both freezing cold winter nights and blistering hot summer days. Testing in a huge, pressurized room allows us to simulate the elevations at which customers might live enabling us to ensure that whether you live at the beach or high in the mountains your FIRMAN generator will always provide the power you need.

All of this testing leads to constant innovation. We feel that it's not enough to be "as-good" as the competition, so we strive to be better in every way that matters to our customers. After conducting extensive research into what our customers really want in a portable generator our conclusions were no surprise. Our findings indicated people want more power, bigger fuel tanks, longer run times and excellent customer support.

We engineered our performance line with these customer desires in-mind by providing independently certified industry-leading power output. We increased our tank sizes to be over 25% bigger than our competition in every category (where they have 3.4 gallon tanks we went with 5 gallons, and on the bigger gens where they use a tiny 6 gallon tank we jumped ahead to 8 gallons!). Bigger tanks means longer run times; 12-14 hours on every gen without refueling! We didn't hesitate to provide an incredible 3 year warranty on all our gens, backed by our skilled service and parts department located in Phoenix, Arizona.

# Performance Series



The FIRMAN Performance Series generators are the heart of the FIRMAN line-up. As a leader in power generation for the past 20 years FIRMAN has designed our new Performance Series for the North American market. These generators perform everywhere it counts – bigger power, longer run times and an industry leading 3 year warranty. The Performance Series is comprised of over 20 models ranging from 1,000 to 10,000 watts. Some of the standard features include, electric start and remote start, the most commonly used receptacles, tubular steel frames, protective outlet covers and long lasting powder coated tanks.

In the areas of ease of use and service FIRMAN has delivered in a big way! FIRMAN Performance Series includes everything you need to get started right in the box, including a detailed owner's manual, funnel, start-up oil, tool kit, wheel kit when applicable, battery for our electric and remote start units, and quick-start guide. We've backed up every FIRMAN Performance Series with our legendary 3 year warranty as well as technical support provided by our highly skilled technicians in Phoenix, AZ.

**“ THE FIRMAN PERFORMANCE SERIES GENERATORS ARE THE HEART OF THE FIRMAN LINE-UP. ”**

# PO1001

## 1050 Watts Generator

# FIRMAN®

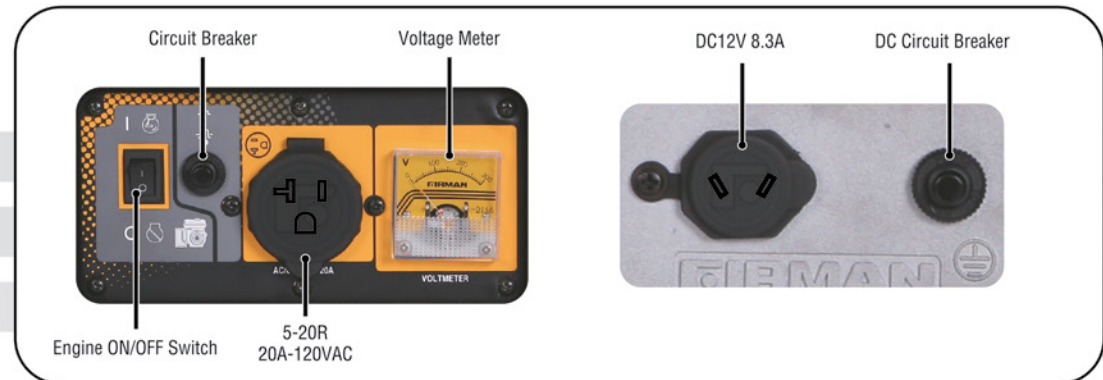
Performance series

Running / Starting Watts: 1050/1300



## Features & Benefits

- The FIRMAN OHV engine (Max-Pro Series) for longer life/higher performance/lower maintenance.
- Cast iron sleeved engine for long durability with automatic low oil shutdown protection.
- Largest tank in industry with extended run-time (less re-fueling) with built-in tank gauge for convenience.
- Quiet muffler (Whisper Series) with USDA FS certified spark arrester.
- Conveniently located multi-featured control panel with FIRMAN custom designed outlet cover protecting outlets from dirt, dust and debris.
- Bonus accessories including engine oil, oil funnel, tool kit and battery charge cable.
- 3 year warranty.



# P01001

## 1050 Watts Generator

# FIRMAN®

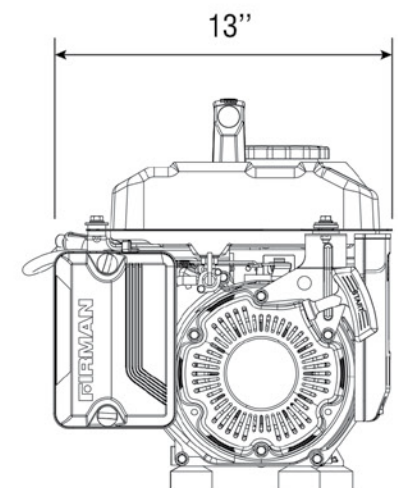
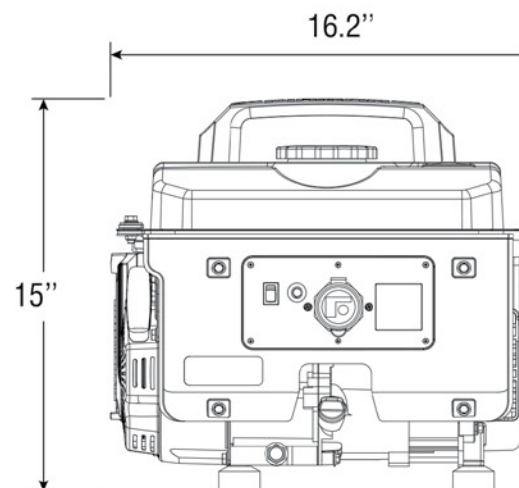
### Performance series

### Specification

Model /Rev Level	P01001 / 00
UPC	840876110041
50 States	Yes
California (CARB)	Yes
Canada (CETL)	Yes
Running Watts	1050
Starting Watts	1300
Frequency (Hz)	60
Engine Displacement (cc)	80
Engine Type	OHV
Starting System	Recoil
Cylinder	Single
Fuel Type	Gasoline
Low Oil Shutdown	Yes
Cast Iron Sleeve	Yes
Brushed or Brushless Alternator	Brushless
Automatic Voltage Regulator (AVR)	No
Fuel Tank Volume (Gal)	1.3
Fuel Gauge	Yes
Runtime @50% load (hours)	9.0
USDA FS Certified Spark Arrester	Yes



Handle	No
Wheel	No
Battery	No
Accessories	Oil Bottle-Funnel-Tool Kit -Battery Charger Cable
Warranty Residential / Commercial (years)	3 / 1
Carton LxWxH (inch)	17.9 x 15.4 x 14.2
Unit Weight (lbs)	45.3
Shipping Weight (lbs)	51.7



Performance

1050 Watt

Recoil

EPA/CARB/cETL

# PO1201

## 1200 Watts Generator

# FIRMAN®

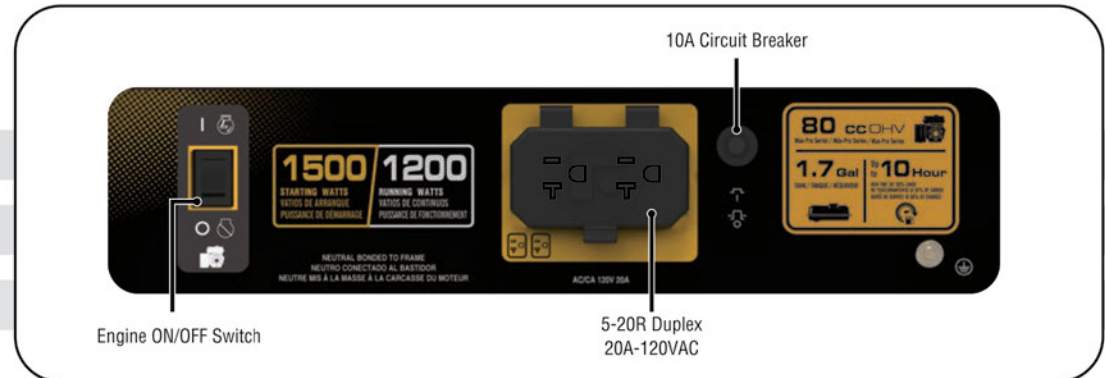
Performance series

Running / Starting Watts: 1200/1500



## Features & Benefits

- The FIRMAN OHV engine (Max-Pro Series) for longer life/higher performance/lower maintenance.
- Cast iron sleeved engine for long durability with automatic low oil shutdown protection.
- Largest tank in industry with extended run-time (less re-fueling) with built-in tank gauge for convenience.
- Quiet muffler (Whisper Series) with USDA FS certified spark arrester.
- Conveniently located multi-featured control panel with FIRMAN custom designed outlet cover protecting outlets from dirt, dust and debris.
- Durable compact roll-cage frame design with 0.75" steel tubing.
- Bonus accessories including engine oil, oil funnel and tool kit.
- 3 year warranty: best in industry.



# P01201

## 1200 Watts Generator

# FIRMAN®

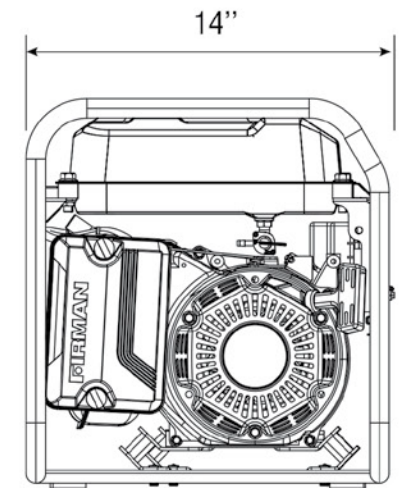
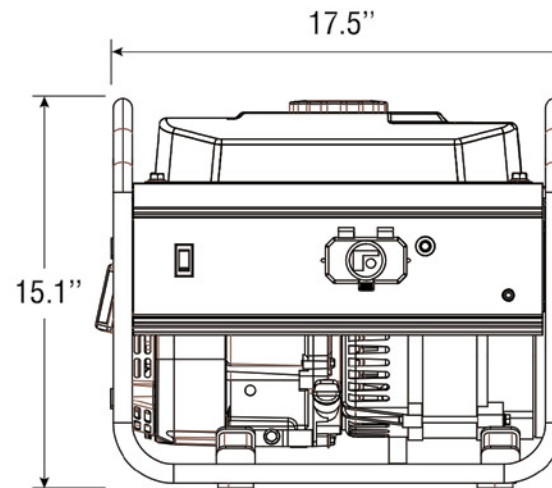
Performance series

### Specification

Model /Rev Level	P01201 / 00
UPC	840876112014
49 States	Yes
California (CARB)	Yes
Canada (CETL)	Yes
Running Watts	1200
Starting Watts	1500
Frequency (Hz)	60
Engine Displacement (cc)	80
Engine Type	OHV
Starting System	Recoil
Cylinder	Single
Fuel Type	Gasoline
Low Oil Shutdown	Yes
Cast Iron Sleeve	Yes
Brushed or Brushless Alternator	Brushless
Automatic Voltage Regulator (AVR)	No
Fuel Tank Volume (Gal)	1.7
Fuel Gauge	Yes
Runtime @50% load (hours)	10.0
USDA FS Certified Spark Arrester	Yes



Handle	No
Wheel	No
Battery	No
Accessories	Oil Bottle-Funnel-Tool Kit
Warranty Residential / Commercial	3 Yrs Ltd / 90 Days
Carton LxWxH (inch)	20.3 x 15.8 x 17.6
Unit Weight (lbs)	54
Shipping Weight (lbs)	61



Performance

1200 Watt

Recoil

EPA/CARB/cETL



# PO1202

## 1200 Watts Generator

# FIRMAN®

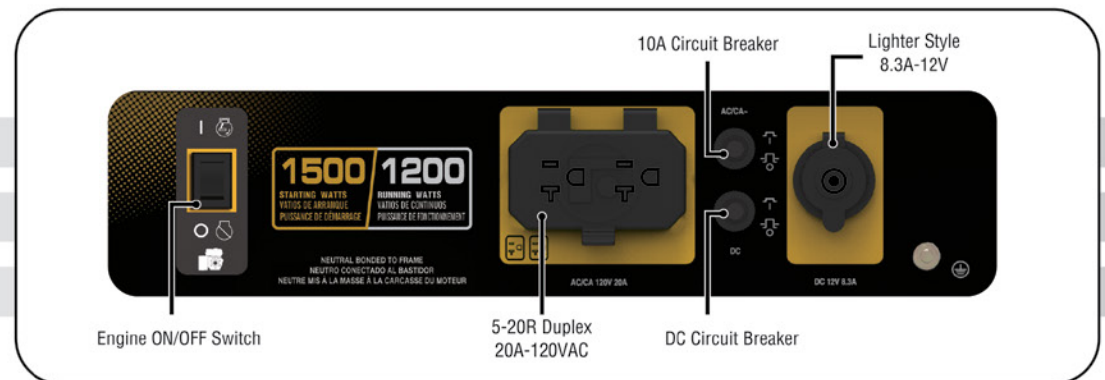
Performance series

Running / Starting Watts: 1200/1500



## Features & Benefits

- The FIRMAN OHV engine (Max-Pro Series) for longer life/higher performance/lower maintenance.
- Cast iron sleeved engine for long durability with automatic low oil shutdown protection.
- Largest tank in industry with extended run-time (less re-fueling) with built-in tank gauge for convenience.
- Quiet muffler (Whisper Series) with USDA FS certified spark arrester.
- Conveniently located multi-featured control panel with FIRMAN custom designed outlet cover protecting outlets from dirt, dust and debris.
- Durable compact roll-cage frame design with 0.75" steel tubing.
- Bonus accessories including engine oil, oil funnel and tool kit.
- 3 year warranty: best in industry.



# P01202

## 1200 Watts Generator



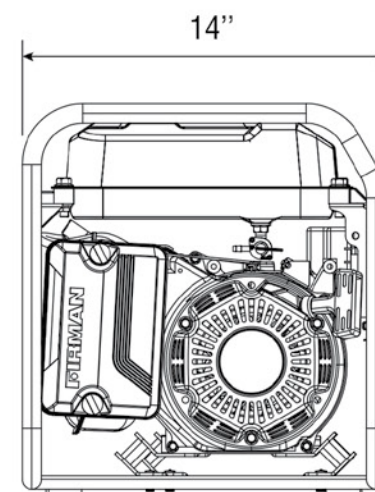
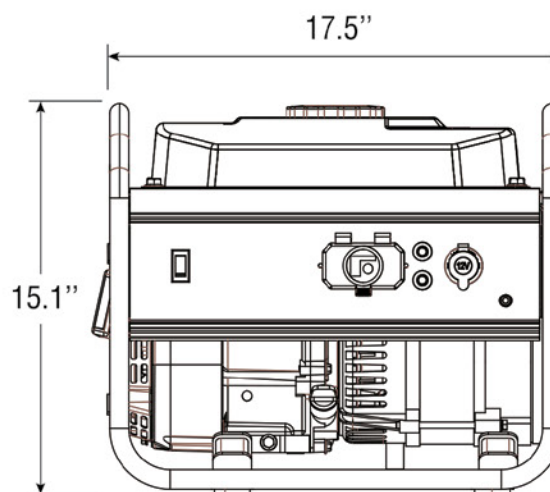
Performance series

### Specification

Model /Rev Level	P01202 / 00
UPC	840876112021
49 States	Yes
California (CARB)	Yes
Canada (CETL)	Yes
Running Watts	1200
Starting Watts	1500
Frequency (Hz)	60
Engine Displacement (cc)	80
Engine Type	OHV
Starting System	Recoil
Cylinder	Single
Fuel Type	Gasoline
Low Oil Shutdown	Yes
Cast Iron Sleeve	Yes
Brushed or Brushless Alternator	Brushless
Automatic Voltage Regulator (AVR)	No
Fuel Tank Volume (Gal)	1.7
Fuel Gauge	Yes
Runtime @50% load (hours)	10.0
USDA FS Certified Spark Arrester	Yes



Handle	No
Wheel	No
Battery	No
Accessories	Oil Bottle-Funnel-Tool Kit
Warranty Residential / Commercial	3 Yrs Ltd / 90 Days
Carton LxWxH (inch)	20.3 x 15.8 x 17.6
Unit Weight (lbs)	54
Shipping Weight (lbs)	61



Performance

1200 Watt

Recoil

EPA/CARB/cETL

# P03501

## 3550 Watts Generator



### Performance series

Running / Starting Watts: 3550/4450



**BONUS**  
Includes Cover & Wheel Kit

Up to **14 Hour**  
Run Time

**FIRMAN**  
Engine  
Max-Pro Series

Volt-Lock  
**AVR**

**Accessories**

### Features & Benefits

- The FIRMAN OHV engine (Max-Pro Series) for longer life/higher performance/lower maintenance.
- Cast iron sleeved engine for long durability with automatic low oil shutdown protection.
- Largest tank in the industry with extended run-time (less re-fueling) with integrated fuel gauge for convenience.
- Quiet muffler (Whisper Series) with USDA FS certified spark arrester.
- Conveniently located multi-featured control panel with FIRMAN custom designed outlet cover protecting outlets from dirt, dust and debris.
- 4 in 1 Data-Minder monitors running hours, voltage and frequency in conjunction with our low oil indicator light.
- Wheel Kit with heavy duty and over size flat free wheels with high leverage single folding handle with grip for easy maneuver.
- Durable compact roll-cage frame design with 1.0" steel tubing.
- FIRMAN newly designed AVR (Automatic Voltage Regulator) VL (Volt-Lock) Series.
- Bonus accessories including cover, wheel kit, engine oil, oil funnel and tool kit.
- 3 year warranty: best in industry.

4 in 1 Data-Minder display (Monitors: Volt, Hz, Hours and Low Oil)

L5-30R Twistlock 30A-120VAC

30A Circuit Breaker

TT-30R 30A-120VAC

20A Circuit Breaker

5-20R Duplex 20A-120VAC

Engine ON/OFF Switch

4450 3550  
STARTING WATTS / RUNNING WATTS  
VATIOS DE ARRANQUE / VATIOS DE CONTINUOS  
POISSANCE DE DEMARRAGE / POISSANCE DE FONCTIONNEMENT

NEUTRAL BONDED TO FRAME  
NEUTRO CONECTADO AL MARCO  
NEUTRE BND A LA MARRI A LA CARRAME DU MOTEUR

# P03501

## 3550 Watts Generator



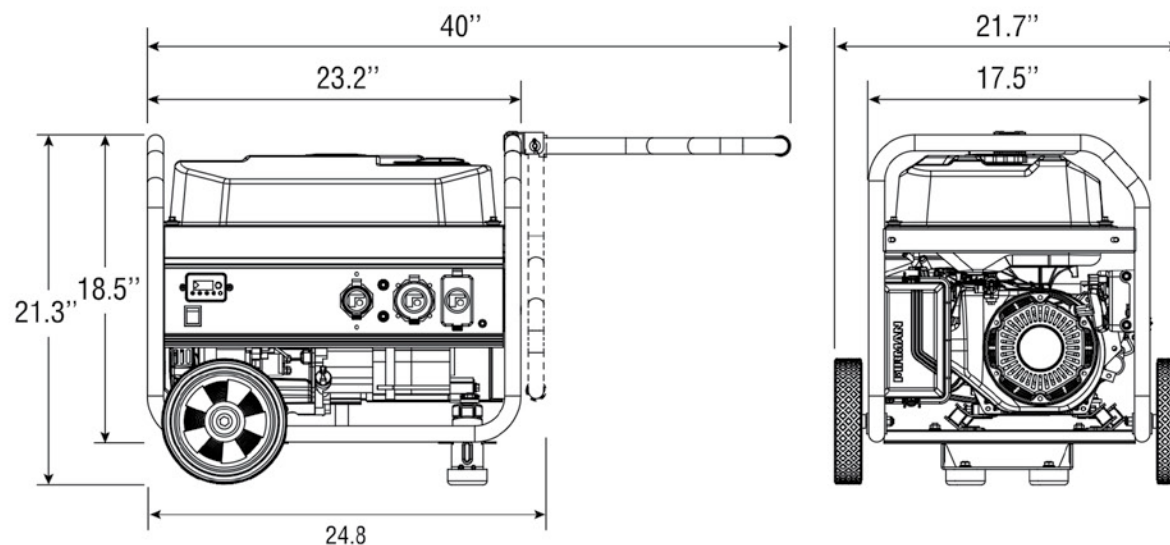
Performance series

### Specification

Model /Rev Level	P03501 / 00
UPC	840876135013
49 States	Yes
California (CARB)	No
Canada (CETL)	No
Running Watts	3550
Starting Watts	4450
Frequency (Hz)	60
Engine Displacement (cc)	208
Engine Type	OHV
Starting System	Recoil
Cylinder	Single
Fuel Type	Gasoline
Low Oil Shutdown	Yes
Cast Iron Sleeve	Yes
Brushed or Brushless Alternator	Brushed
Automatic Voltage Regulator (AVR)	Yes
Fuel Tank Volume (Gal)	5.0
Fuel Gauge	Yes
Runtime @50% load (hours)	14.0
USDA FS Certified Spark Arrester	Yes



Handle	Single Folding
Wheel	8.0" Flat Free
Battery	No
Accessories	cover-wheel kit- Oil Bottle-Funnel-Tool Kit
Warranty Residential / Commercial	3 Yrs Ltd / 90 Days
Carton LxWxH (inch)	27.2 x 18.1 x 19.9
Unit Weight (lbs)	108.5
Shipping Weight (lbs)	117



Performance

3550 Watt

Recoil

EPA

# P03601

## 3650 Watts Generator

# FIRMAN®

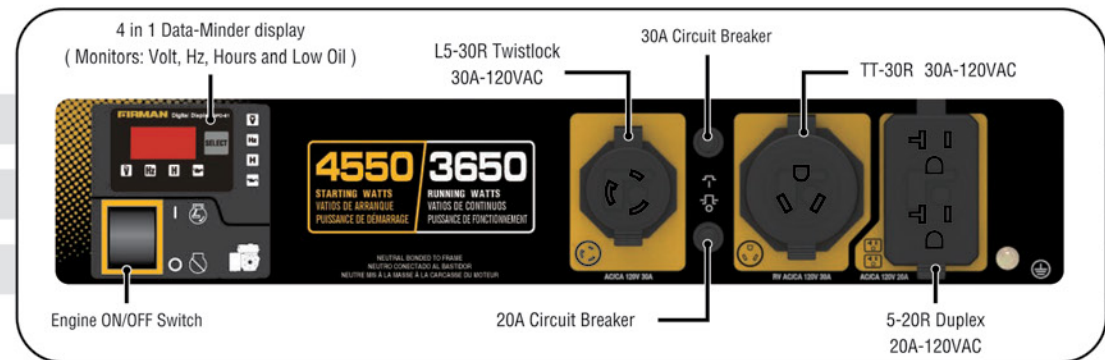
Performance series

Running / Starting Watts: 3650/4550



### Features & Benefits

- The FIRMAN OHV engine (Max-Pro Series) for longer life/higher performance/lower maintenance.
- Cast iron sleeved engine for long durability with automatic low oil shutdown protection.
- Largest tank in the industry with extended run-time (less re-fueling) with integrated fuel gauge for convenience.
- Quiet muffler (Whisper Series) with USDA FS certified spark arrester.
- Conveniently located multi-featured control panel with FIRMAN custom designed outlet cover protecting outlets from dirt, dust and debris.
- 4 in 1 Data-Minder monitors running hours, voltage and frequency in conjunction with our low oil indicator light.
- Durable compact roll-cage frame design with 1.0" steel tubing.
- FIRMAN new designed AVR (Automatic Voltage Regulator) VC (Volt-Lock) Series.
- Bonus accessories including engine oil, oil funnel and tool kit.
- 3 year warranty: best in industry.



# P03601

## 3650 Watts Generator

# FIRMAN®

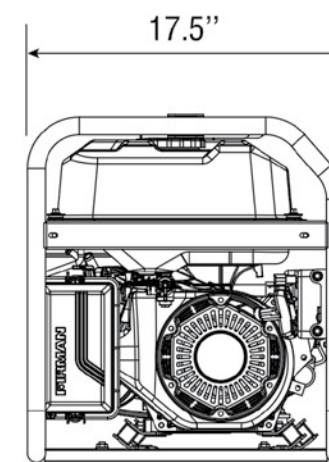
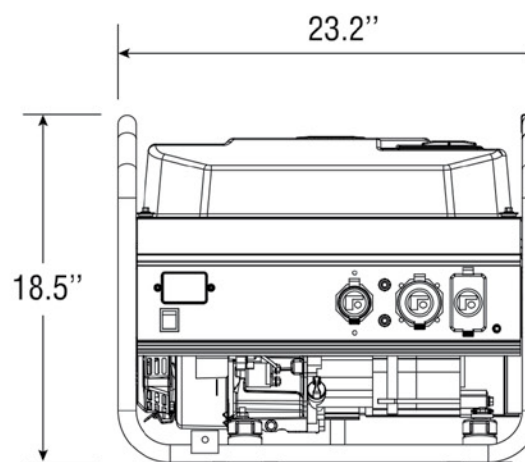
Performance series

### Specification

Model /Rev Level	P03601 / 01
UPC	840876136010
49 States	Yes
California (CARB)	No
Canada (CETL)	Yes
Running Watts	3650
Starting Watts	4550
Frequency (Hz)	60
Engine Displacement (cc)	208
Engine Type	OHV
Starting System	Recoil
Cylinder	Single
Fuel Type	Gasoline
Low Oil Shutdown	Yes
Cast Iron Sleeve	Yes
Brushed or Brushless Alternator	Brushed
Automatic Voltage Regulator (AVR)	Yes
Fuel Tank Volume (Gal)	5.0
Fuel Gauge	Yes
Runtime @50% load (hours)	14.0
USDA FS Certified Spark Arrester	Yes



Handle	No
Wheel	No
Battery	No
Accessories	Oil Bottle-Funnel-Tool Kit
Warranty Residential / Commercial	3 Yrs Ltd / 90 Days
Carton LxWxH (inch)	24 x 18.1 x 19.9
Unit Weight (lbs)	101.5
Shipping Weight (lbs)	110



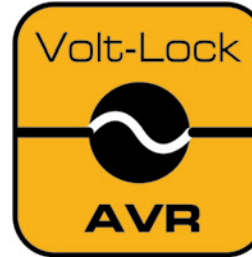
# P03602

## 3650 Watts Generator

# FIRMAN®

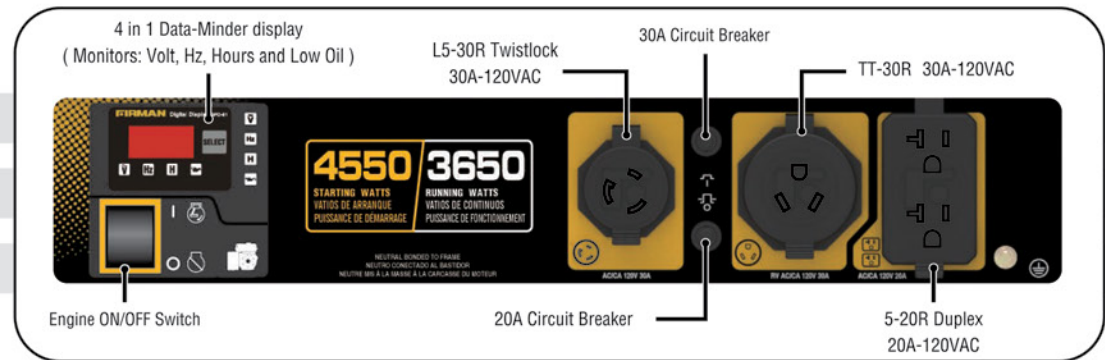
Performance series

Running / Starting Watts: 3650/4550



### Features & Benefits

- The FIRMAN OHV engine (Max-Pro Series) for longer life/higher performance/lower maintenance.
- Cast iron sleeved engine for long durability with automatic low oil shutdown protection.
- Largest tank in the industry with extended run-time (less re-fueling) with integrated fuel gauge for convenience.
- Quiet muffler (Whisper Series) with USDA FS certified spark arrester.
- Conveniently located multi-featured control panel with FIRMAN custom designed outlet cover protecting outlets from dirt, dust and debris.
- 4 in 1 Data-Minder monitors running hours, voltage and frequency in conjunction with our low oil indicator light.
- Wheel Kit with heavy duty and over size flat free wheels with high leverage single folding handle with grip for easy maneuver.
- Durable compact roll-cage frame design with 1.0" steel tubing.
- FIRMAN new designed AVR (Automatic Voltage Regulator) VC (Volt-Lock) Series.
- Bonus accessories including engine oil, oil funnel and tool kit.
- 3 year warranty: best in industry.



# P03602

## 3650 Watts Generator

# FIRMAN®

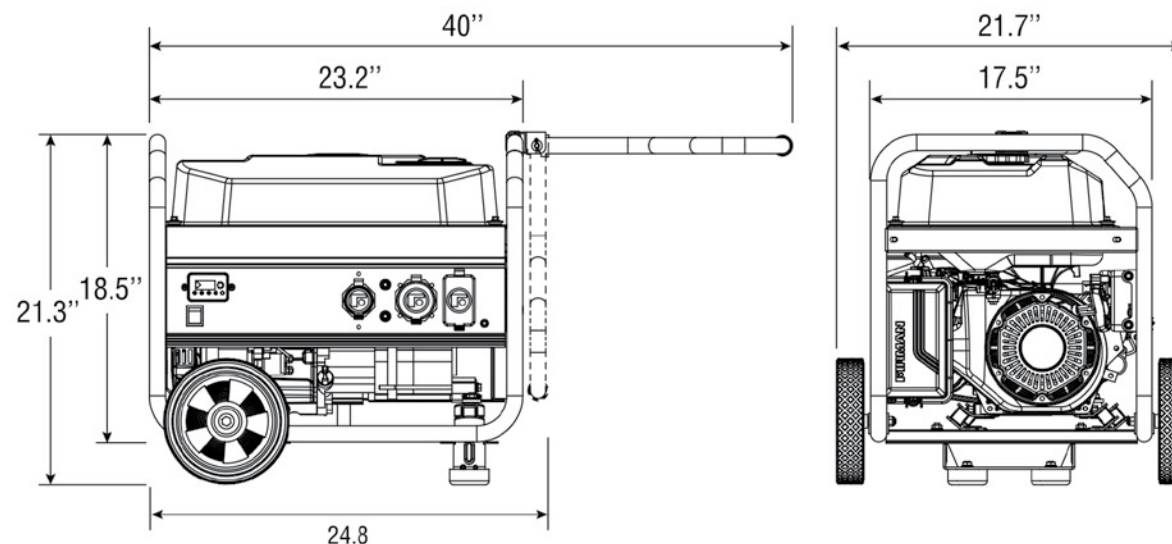
### Performance series

### Specification

Model /Rev Level	P03602 / 01
UPC	840876136027
49 States	Yes
California (CARB)	No
Canada (CETL)	Yes
Running Watts	3650
Starting Watts	4550
Frequency (Hz)	60
Engine Displacement (cc)	208
Engine Type	OHV
Starting System	Recoil
Cylinder	Single
Fuel Type	Gasoline
Low Oil Shutdown	Yes
Cast Iron Sleeve	Yes
Brushed or Brushless Alternator	Brushed
Automatic Voltage Regulator (AVR)	Yes
Fuel Tank Volume (Gal)	5.0
Fuel Gauge	Yes
Runtime @50% load (hours)	14.0
USDA FS Certified Spark Arrester	Yes



Handle	Single Folding
Wheel	8.0" Flat Free
Battery	No
Accessories	Oil Bottle-Funnel-Tool Kit
Warranty Residential / Commercial	3 Yrs Ltd / 90 Days
Carton LxWxH (inch)	27.2 x 18.1 x 19.9
Unit Weight (lbs)	108.5
Shipping Weight (lbs)	117



Performance

3650 Watt

Recoil/Electric

EPA/cETL



# P03603

## 3650 Watts Generator

# FIRMAN®

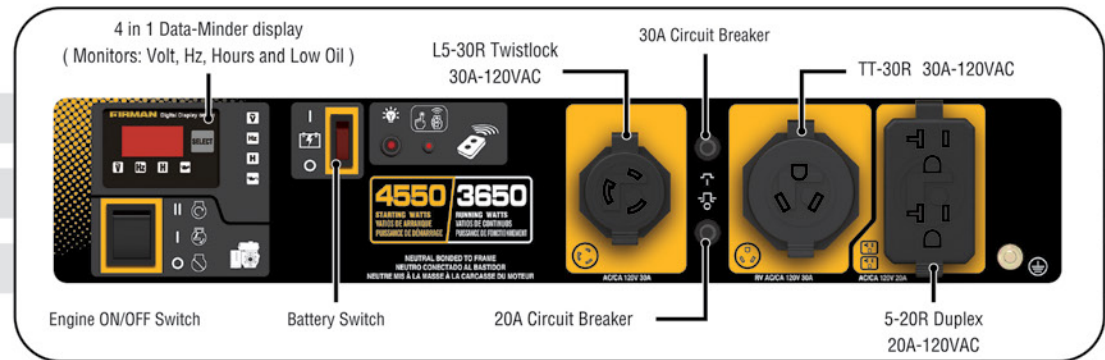
### Performance series

### Running / Starting Watts: 3650/4550



### Features & Benefits

- The FIRMAN OHV engine (Max-Pro Series) for longer life/higher performance/lower maintenance.
- Remote up to 55 yards away for ease of starting and shut down.
- Cast iron sleeved engine for long durability with automatic low oil shutdown protection.
- Largest tank in the industry with extended run-time (less re-fueling) with integrated fuel gauge for convenience.
- Quiet muffler (Whisper Series) with USDA FS certified spark arrester.
- Conveniently located multi-featured control panel with FIRMAN custom designed outlet cover protecting outlets from dirt, dust and debris.
- 4 in 1 Data-Minder monitors running hours, voltage and frequency in conjunction with our low oil indicator light.
- Wheel Kit with heavy duty and over size flat free wheels with high leverage single folding handle with grip for easy maneuver.
- Durable compact roll-cage frame design with 1.0" steel tubing.
- FIRMAN newly designed AVR (Automatic Voltage Regulator) VL (Volt-Lock) Series.
- Bonus accessories including engine oil, oil funnel and tool kit.
- Included battery for your convenience.
- 3 year warranty: best in industry.



# P03603

## 3650 Watts Generator

# FIRMAN®

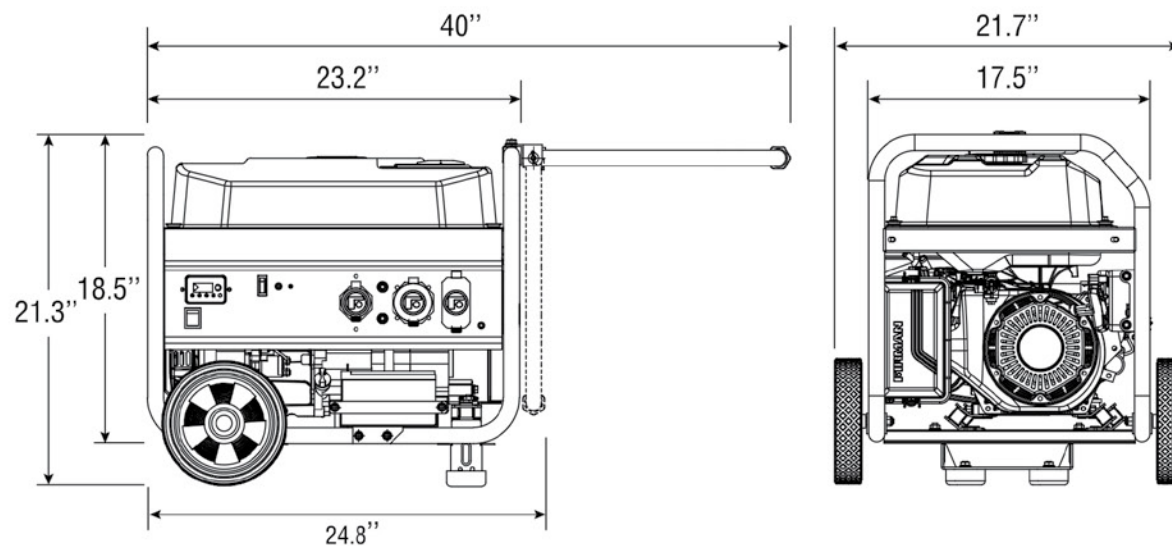
Performance series

### Specification

Model /Rev Level	P03603 / 01
UPC	840876136034
49 States	Yes
California (CARB)	No
Canada (CETL)	Yes
Running Watts	3650
Starting Watts	4550
Frequency (Hz)	60
Engine Displacement (cc)	208
Engine Type	OHV
Starting System	Recoil/Electric/Remote
Cylinder	Single
Fuel Type	Gasoline
Low Oil Shutdown	Yes
Cast Iron Sleeve	Yes
Brushed or Brushless Alternator	Brushed
Automatic Voltage Regulator (AVR)	Yes
Fuel Tank Volume (Gal)	5.0
Fuel Gauge	Yes
Runtime @50% load (hours)	14.0
USDA FS Certified Spark Arrester	Yes



Handle	Single Folding
Wheel	8.0" Flat Free
Battery	Yes
Accessories	Oil Bottle-Funnel-Tool Kit
Warranty Residential / Commercial	3 Yrs Ltd / 90 Days
Carton LxWxH (inch)	27.2 x 18.1 x 19.9
Unit Weight (lbs)	119.5
Shipping Weight (lbs)	128



Performance

3650 Watt

Recoil/Electric/Remote

EPA/cETL

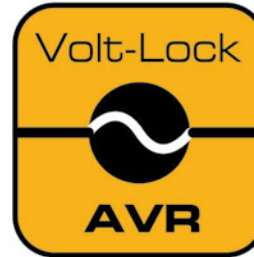
# P03604

## 3650 Watts Generator

# FIRMAN®

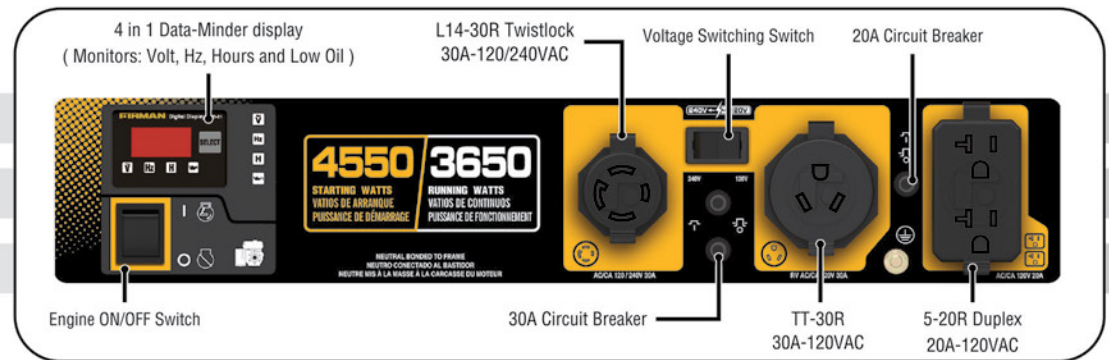
### Performance series

### Running / Starting Watts: 3650/4550



## Features & Benefits

- The FIRMAN OHV engine (Max-Pro Series) for longer life/higher performance/lower maintenance.
- Cast iron sleeved engine for long durability with automatic low oil shutdown protection.
- Largest tank in the industry with extended run-time (less re-fueling) with integrated fuel gauge for convenience.
- Quiet muffler (Whisper Series) with USDA FS certified spark arrester.
- Conveniently located multi-featured control panel with FIRMAN custom designed outlet cover protecting outlets from dirt, dust and debris.
- 4 in 1 Data-Minder monitors running hours, voltage and frequency in conjunction with our low oil indicator light.
- Wheel Kit with heavy duty and over size flat free wheels with high leverage single folding handle with grip for easy maneuver.
- Durable compact roll-cage frame design with 1.0" steel tubing.
- FIRMAN newly designed AVR (Automatic Voltage Regulator) VL (Volt-Lock) Series.
- Bonus accessories including engine oil, oil funnel and tool kit.
- 3 years warranty: best in industry.



# P03604

## 3650 Watts Generator



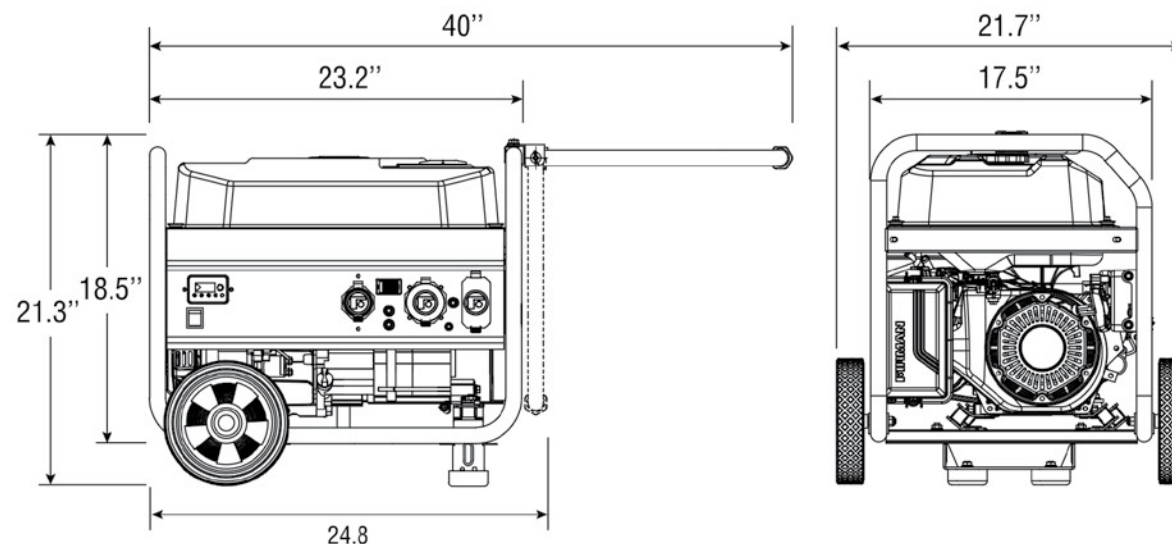
Performance series

### Specification

Model /Rev Level	P03604 / 00
UPC	840876136041
49 States	Yes
California (CARB)	No
Canada (CETL)	No
Running Watts	3650
Starting Watts	4550
Frequency (Hz)	60
Engine Displacement (cc)	208
Engine Type	OHV
Starting System	Recoil
Cylinder	Single
Fuel Type	Gasoline
Low Oil Shutdown	Yes
Cast Iron Sleeve	Yes
Brushed or Brushless Alternator	Brushed
Automatic Voltage Regulator (AVR)	Yes
Fuel Tank Volume (Gal)	5.0
Fuel Gauge	Yes
Runtime @50% load (hours)	14.0
USDA FS Certified Spark Arrester	Yes



Handle	Single Folding
Wheel	8.0" Flat Free
Battery	No
Accessories	Oil Bottle-Funnel-Tool Kit
Warranty Residential / Commercial	3 Yrs Ltd / 90 Days
Carton LxWxH (inch)	27.2 x 18.1 x 19.9
Unit Weight (lbs)	108.5
Shipping Weight (lbs)	117



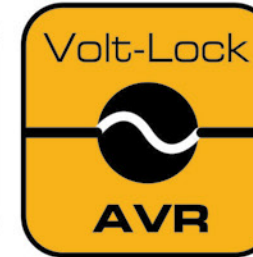
# P03605

## 3650 Watts Generator

# FIRMAN®

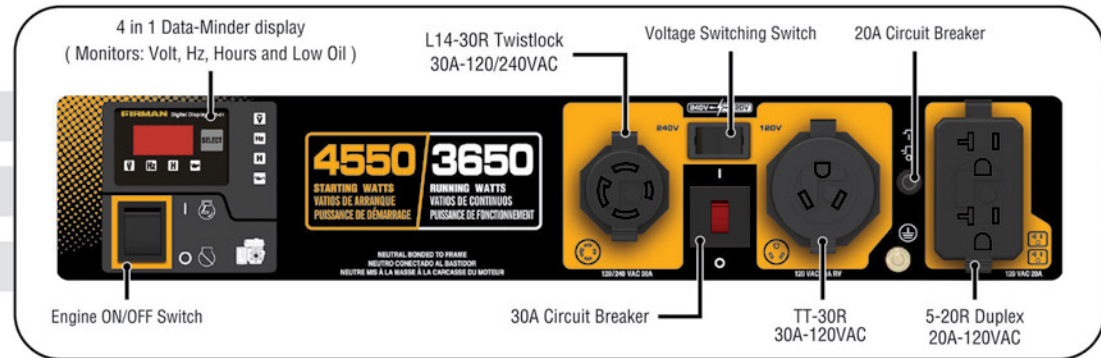
Performance series

Running / Starting Watts: 3650/4550



### Features & Benefits

- The FIRMAN OHV engine (Max-Pro Series) for longer life/higher performance/lower maintenance.
- Cast iron sleeved engine for long durability with automatic low oil shutdown protection.
- Largest tank in the industry with extended run-time (less re-fueling) with integrated fuel gauge for convenience.
- Quiet muffler (Whisper Series) with USDA FS certified spark arrester.
- Conveniently located multi-featured control panel with FIRMAN custom designed outlet cover protecting outlets from dirt, dust and debris.
- 4 in 1 Data-Minder monitors running hours, voltage and frequency in conjunction with our low oil indicator light.
- Durable compact roll-cage frame design with 1.0" steel tubing.
- FIRMAN newly designed AVR (Automatic Voltage Regulator) VL (Volt-Lock) Series.
- Bonus accessories including engine oil, oil funnel and tool kit.
- 3 year warranty: best in industry.



# P03605

## 3650 Watts Generator

# FIRMAN®

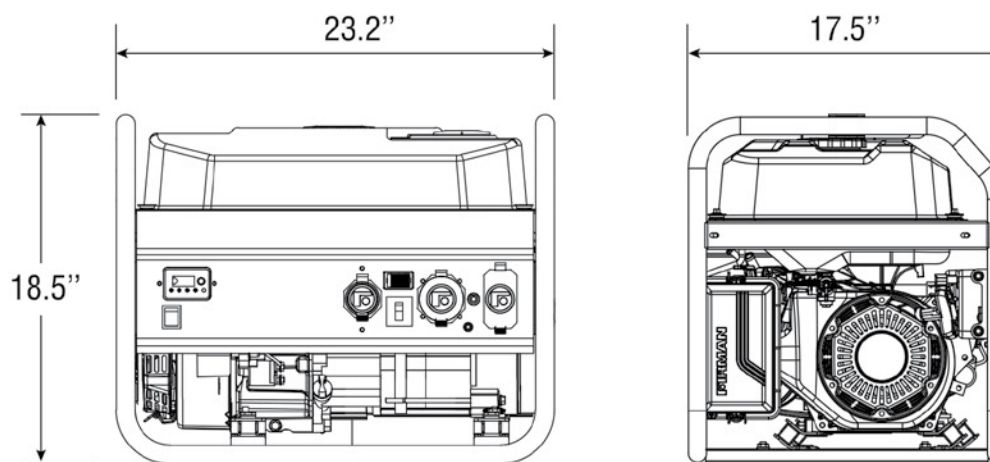
Performance series

### Specification

Model /Rev Level	P03605 / 00
UPC	840876136058
49 States	Yes
California (CARB)	No
Canada (CETL)	Yes
Running Watts	3650
Starting Watts	4550
Frequency (Hz)	60
Engine Displacement (cc)	208
Engine Type	OHV
Starting System	Recoil
Cylinder	Single
Fuel Type	Gasoline
Low Oil Shutdown	Yes
Cast Iron Sleeve	Yes
Brushed or Brushless Alternator	Brushed
Automatic Voltage Regulator (AVR)	Yes
Fuel Tank Volume (Gal)	5.0
Fuel Gauge	Yes
Runtime @50% load (hours)	14.0
USDA FS Certified Spark Arrester	Yes



Handle	No
Wheel	No
Battery	No
Accessories	Oil Bottle-Funnel-Tool Kit
Warranty Residential / Commercial	3 Yrs Ltd / 90 Days
Carton LxWxH (inch)	24 x 18.1 x 19.9
Unit Weight (lbs)	101.5
Shipping Weight (lbs)	110



Performance

3650 Watt

Recoil

EPA/cETL

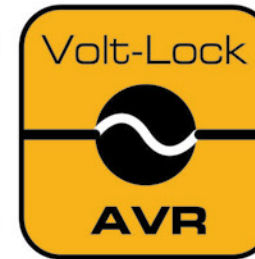
# P03606

## 3650 Watts Generator

# FIRMAN®

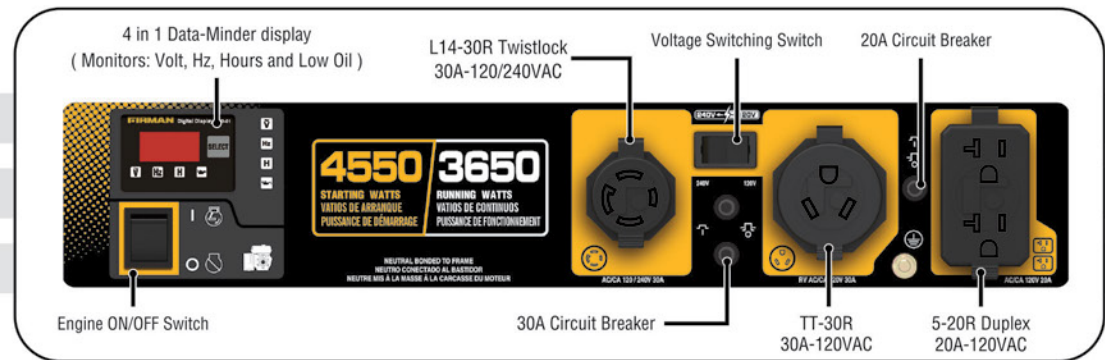
### Performance series

### Running / Starting Watts: 3650/4550



## Features & Benefits

- The FIRMAN OHV engine (Max-Pro Series) for longer life/higher performance/lower maintenance.
- Cast iron sleeved engine for long durability with automatic low oil shutdown protection.
- Largest tank in the industry with extended run-time (less re-fueling) with integrated fuel gauge for convenience.
- Quiet muffler (Whisper Series) with USDA FS certified spark arrester.
- Conveniently located multi-featured control panel with FIRMAN custom designed outlet cover protecting outlets from dirt, dust and debris.
- 4 in 1 Data-Minder monitors running hours, voltage and frequency in conjunction with our low oil indicator light.
- Durable compact roll-cage frame design with 1.0" steel tubing.
- FIRMAN newly designed AVR (Automatic Voltage Regulator) VL (Volt-Lock) Series.
- Bonus accessories including engine oil, oil funnel and tool kit.
- 3 year warranty: best in industry.



# P03606

## 3650 Watts Generator

# FIRMAN®

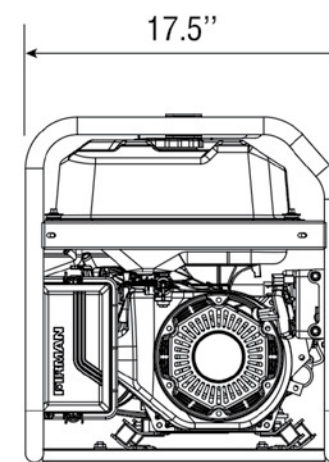
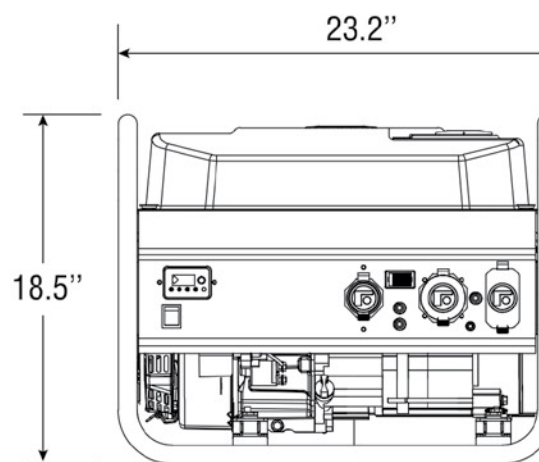
Performance series

### Specification

Model /Rev Level	P03606 / 00
UPC	840876136065
49 States	Yes
California (CARB)	No
Canada (CETL)	No
Running Watts	3650
Starting Watts	4550
Frequency (Hz)	60
Engine Displacement (cc)	208
Engine Type	OHV
Starting System	Recoil
Cylinder	Single
Fuel Type	Gasoline
Low Oil Shutdown	Yes
Cast Iron Sleeve	Yes
Brushed or Brushless Alternator	Brushed
Automatic Voltage Regulator (AVR)	Yes
Fuel Tank Volume (Gal)	5.0
Fuel Gauge	Yes
Runtime @50% load (hours)	14.0
USDA FS Certified Spark Arrester	Yes



Handle	No
Wheel	No
Battery	No
Accessories	Oil Bottle-Funnel-Tool Kit
Warranty Residential / Commercial	3 Yrs Ltd / 90 Days
Carton LxWxH (inch)	24 x 18.1 x 19.9
Unit Weight (lbs)	101.5
Shipping Weight (lbs)	110



Performance

3650 Watt

Recoil

EPA



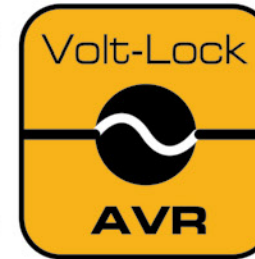
# P03607

## 3650 Watts Generator

# FIRMAN®

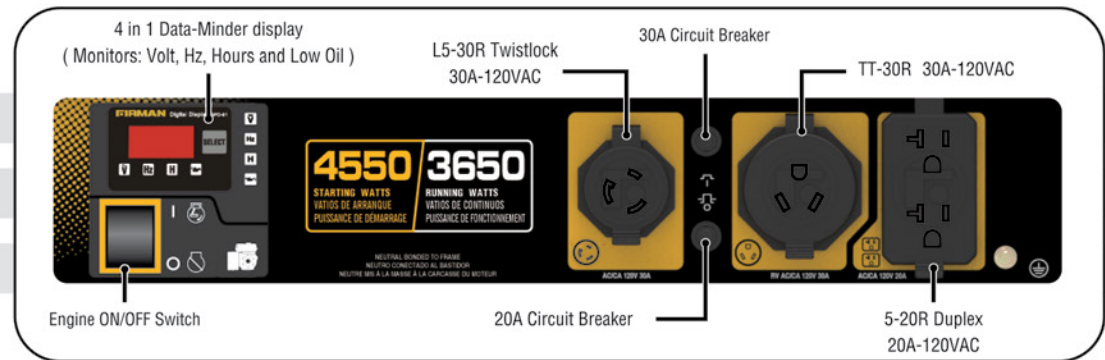
Performance series

Running / Starting Watts: 3650/4550



### Features & Benefits

- The FIRMAN OHV engine (Max-Pro Series) for longer life/higher performance/lower maintenance.
- Cast iron sleeved engine for long durability with automatic low oil shutdown protection.
- Largest tank in the industry with extended run-time (less re-fueling) with integrated fuel gauge for convenience.
- Quiet muffler (Whisper Series) with USDA FS certified spark arrester.
- Conveniently located multi-featured control panel with FIRMAN custom designed outlet cover protecting outlets from dirt, dust and debris.
- 4 in 1 Data-Minder monitors running hours, voltage and frequency in conjunction with our low oil indicator light.
- Durable compact roll-cage frame design with 1.0" steel tubing.
- FIRMAN new designed AVR (Automatic Voltage Regulator) VC (Volt-Lock) Series.
- Bonus accessories including engine oil, oil funnel and tool kit.
- 3 year warranty: best in industry.



# P03607

## 3650 Watts Generator

# FIRMAN®

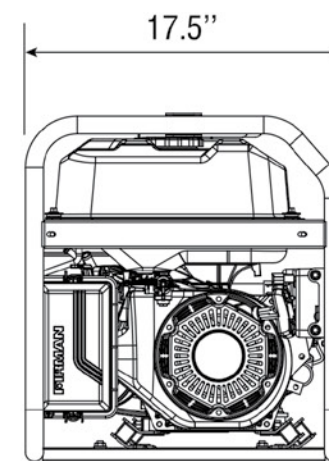
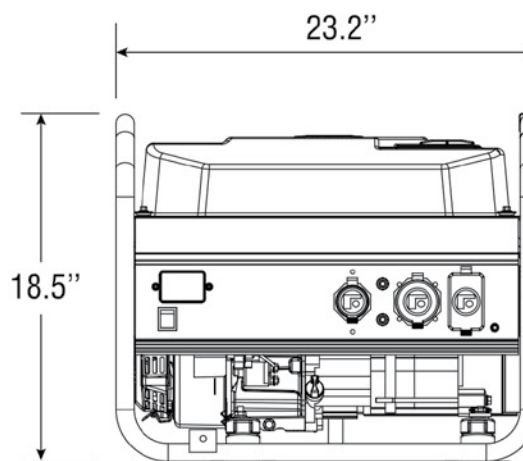
Performance series

### Specification

Model /Rev Level	P03607 / 00
UPC	840876136072
49 States	Yes
California (CARB)	Yes
Canada (CETL)	No
Running Watts	3650
Starting Watts	4550
Frequency (Hz)	60
Engine Displacement (cc)	208
Engine Type	OHV
Starting System	Recoil
Cylinder	Single
Fuel Type	Gasoline
Low Oil Shutdown	Yes
Cast Iron Sleeve	Yes
Brushed or Brushless Alternator	Brushed
Automatic Voltage Regulator (AVR)	Yes
Fuel Tank Volume (Gal)	5.0
Fuel Gauge	Yes
Runtime @50% load (hours)	14.0
USDA FS Certified Spark Arrester	Yes



Handle	No
Wheel	No
Battery	No
Accessories	Oil Bottle-Funnel-Tool Kit
Warranty Residential / Commercial	3 Yrs Ltd / 90 Days
Carton LxWxH (inch)	24 x 18.1 x 19.9
Unit Weight (lbs)	101.5
Shipping Weight (lbs)	110



Performance

3650 Watt

Recoil

EPA/CARB

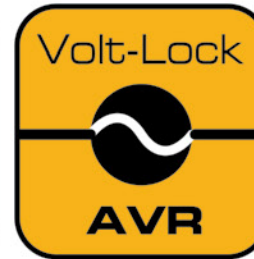
# P03608

## 3650 Watts Generator

# FIRMAN®

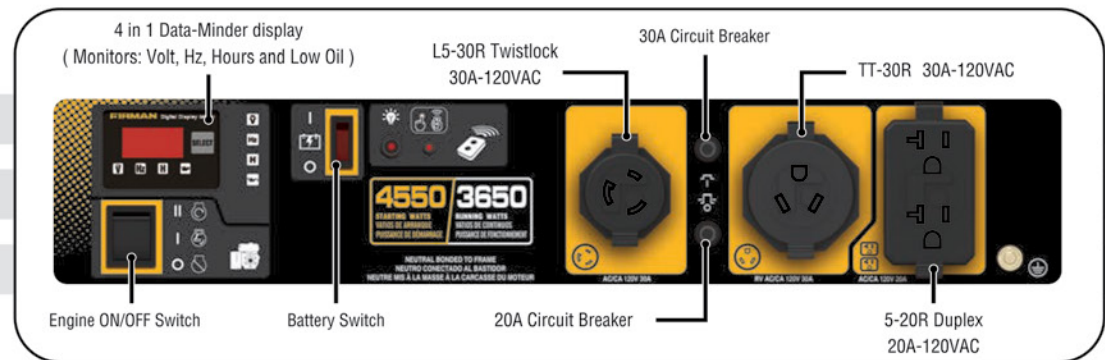
### Performance series

### Running / Starting Watts: 3650/4550



## Features & Benefits

- The FIRMAN OHV engine (Max-Pro Series) for longer life/higher performance/lower maintenance.
- Remote up to 55 yards away for ease of starting and shut down.
- Cast iron sleeved engine for long durability with automatic low oil shutdown protection.
- Largest tank in the industry with extended run-time (less re-fueling) with integrated fuel gauge for convenience.
- Quiet muffler (Whisper Series) with USDA FS certified spark arrester.
- Conveniently located multi-featured control panel with FIRMAN custom designed outlet cover protecting outlets from dirt, dust and debris.
- 4 in 1 Data-Minder monitors running hours, voltage and frequency in conjunction with our low oil indicator light.
- Wheel Kit with heavy duty and over size flat free wheels with high leverage single folding handle with grip for easy maneuver.
- Durable compact roll-cage frame design with 1.0" steel tubing.
- FIRMAN newly designed AVR (Automatic Voltage Regulator) VL (Volt-Lock) Series.
- Bonus accessories including engine oil, oil funnel and tool kit.
- Included battery for your convenience.
- 3 year warranty: best in industry.



# P03608

## 3650 Watts Generator

# FIRMAN®

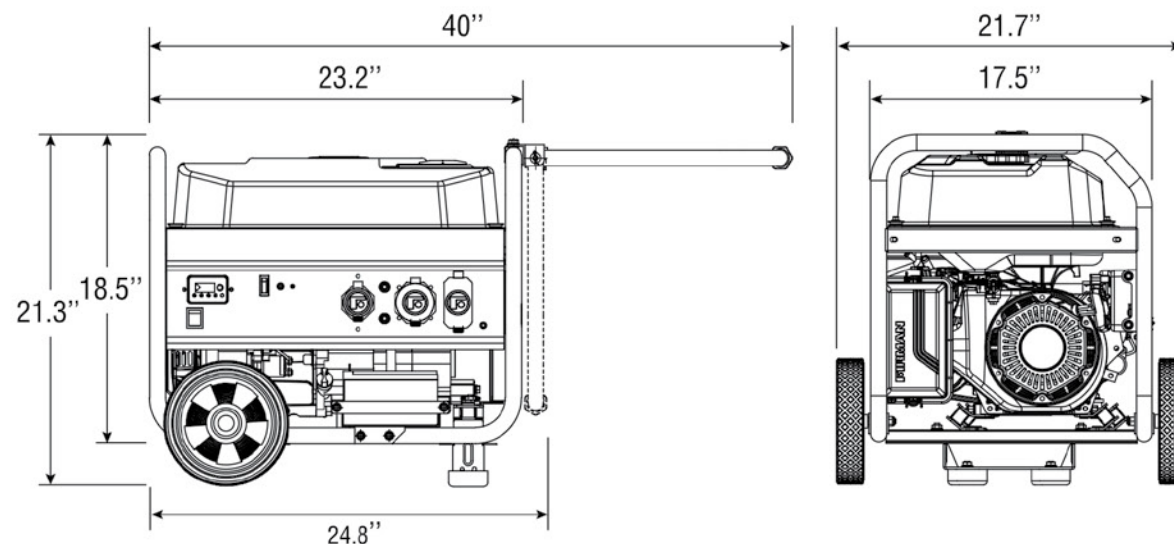
Performance series

### Specification

Model /Rev Level	P03608 / 00
UPC	840876136089
49 States	Yes
California (CARB)	Yes
Canada (CETL)	No
Running Watts	3650
Starting Watts	4550
Frequency (Hz)	60
Engine Displacement (cc)	208
Engine Type	OHV
Starting System	Recoil/Electric/Remote
Cylinder	Single
Fuel Type	Gasoline
Low Oil Shutdown	Yes
Cast Iron Sleeve	Yes
Brushed or Brushless Alternator	Brushed
Automatic Voltage Regulator (AVR)	Yes
Fuel Tank Volume (Gal)	5.0
Fuel Gauge	Yes
Runtime @50% load (hours)	14.0
USDA FS Certified Spark Arrester	Yes



Handle	Single Folding
Wheel	8.0" Flat Free
Battery	Yes
Accessories	Oil Bottle-Funnel-Tool Kit
Warranty Residential / Commercial	3 Yrs Ltd / 90 Days
Carton LxWxH (inch)	27.2 x 18.1 x 19.9
Unit Weight (lbs)	119.5
Shipping Weight (lbs)	128



Performance

3650 Watt

Recoil/Electric/Remote

EPA/CARB

# P03609

## 3650 Watts Generator

# FIRMAN®

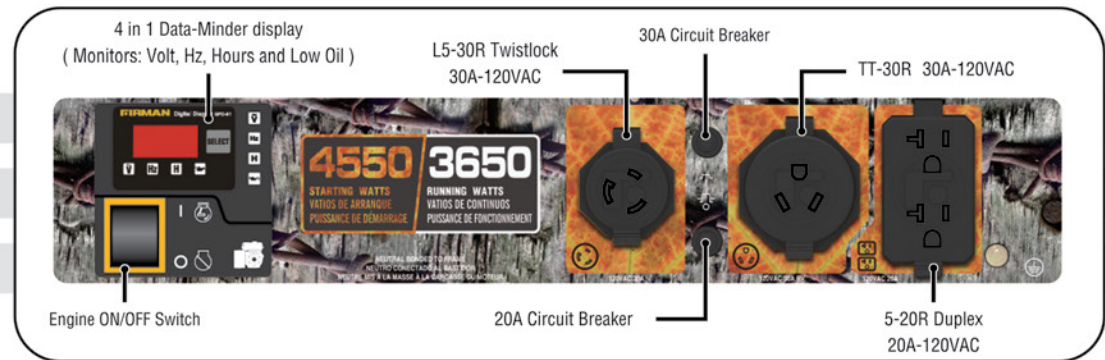
### Performance series

### Running / Starting Watts: 3650/4550



## Features & Benefits

- The FIRMAN OHV engine (Max-Pro Series) for longer life/higher performance/lower maintenance.
- Cast iron sleeved engine for long durability with automatic low oil shutdown protection.
- Largest tank in the industry with extended run-time (less re-fueling) with integrated fuel gauge for convenience.
- Quiet muffler (Whisper Series) with USDA FS certified spark arrester.
- Conveniently located multi-featured control panel with FIRMAN custom designed outlet cover protecting outlets from dirt, dust and debris.
- 4 in 1 Data-Minder monitors running hours, voltage and frequency in conjunction with our low oil indicator light.
- Durable compact roll-cage frame design with 1.0" steel tubing.
- FIRMAN new designed AVR (Automatic Voltage Regulator) VC (Volt-Lock) Series.
- Bonus accessories including engine oil, oil funnel and tool kit.
- 3 year warranty: best in industry.



# P03609

## 3650 Watts Generator

# FIRMAN®

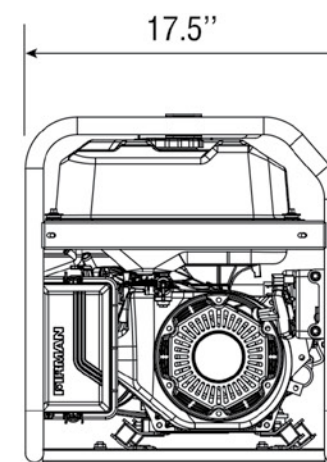
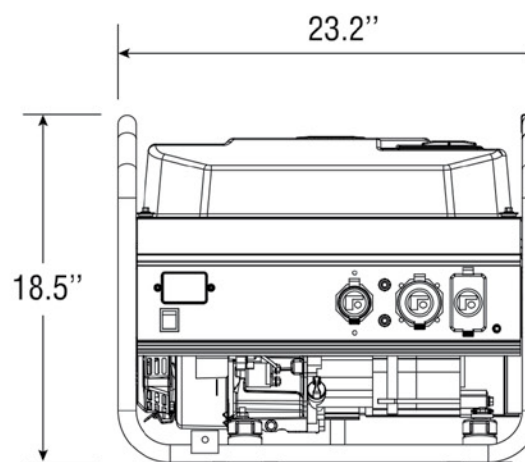
### Performance series

### Specification

Model /Rev Level	P03609 / 00
UPC	840876136096
49 States	Yes
California (CARB)	No
Canada (CETL)	Yes
Running Watts	3650
Starting Watts	4550
Frequency (Hz)	60
Engine Displacement (cc)	208
Engine Type	OHV
Starting System	Recoil
Cylinder	Single
Fuel Type	Gasoline
Low Oil Shutdown	Yes
Cast Iron Sleeve	Yes
Brushed or Brushless Alternator	Brushed
Automatic Voltage Regulator (AVR)	Yes
Fuel Tank Volume (Gal)	5.0
Fuel Gauge	Yes
Runtime @50% load (hours)	14.0
USDA FS Certified Spark Arrester	Yes



Handle	No
Wheel	No
Battery	No
Accessories	Oil Bottle-Funnel-Tool Kit
Warranty Residential / Commercial	3 Yrs Ltd / 90 Days
Carton LxWxH (inch)	24 x 18.1 x 19.9
Unit Weight (lbs)	101.5
Shipping Weight (lbs)	110



Performance

3650 Watt

Recoil

EPA/cETL

# P03611

## 3650 Watts Generator

# FIRMAN®

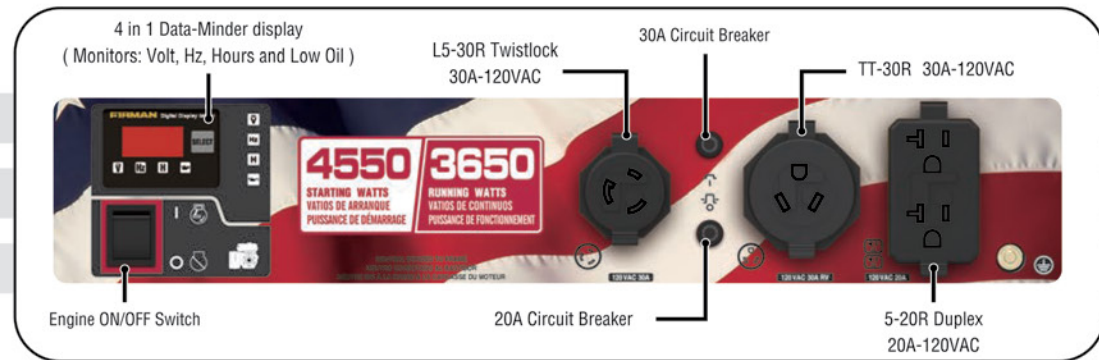
Performance series

Running / Starting Watts: 3650/4550



## Features & Benefits

- The FIRMAN OHV engine (Max-Pro Series) for longer life/higher performance/lower maintenance.
- Cast iron sleeved engine for long durability with automatic low oil shutdown protection.
- Largest tank in the industry with extended run-time (less re-fueling) with integrated fuel gauge for convenience.
- Quiet muffler (Whisper Series) with USDA FS certified spark arrester.
- Conveniently located multi-featured control panel with FIRMAN custom designed outlet cover protecting outlets from dirt, dust and debris.
- 4 in 1 Data-Minder monitors running hours, voltage and frequency in conjunction with our low oil indicator light.
- Durable compact roll-cage frame design with 1.0" steel tubing.
- FIRMAN newly designed AVR (Automatic Voltage Regulator) VL (Volt-Lock) Series.
- Bonus accessories including engine oil, oil funnel and tool kit.
- 3 year warranty: best in industry.



# P03611

## 3650 Watts Generator

# FIRMAN®

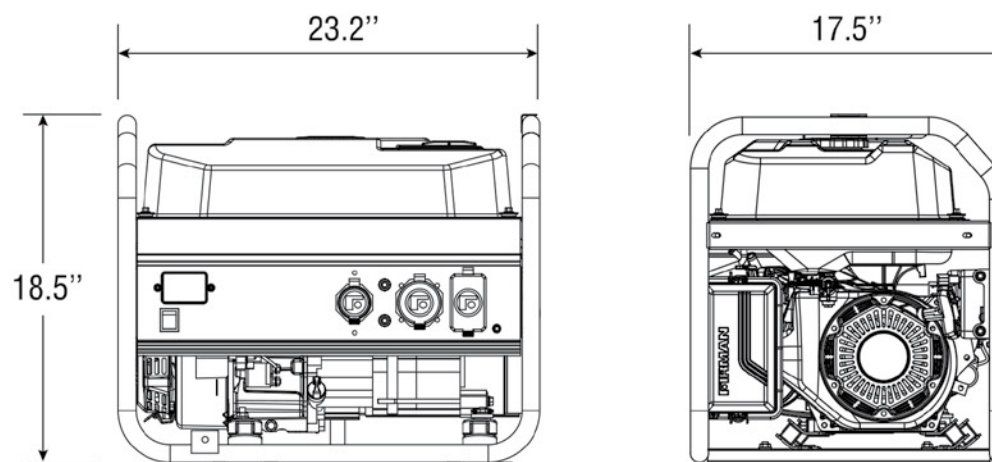
Performance series

### Specification

Model /Rev Level	P03611 / 00
UPC	840876136119
49 States	Yes
California (CARB)	No
Canada (CETL)	No
Running Watts	3650
Starting Watts	4550
Frequency (Hz)	60
Engine Displacement (cc)	208
Engine Type	OHV
Starting System	Recoil
Cylinder	Single
Fuel Type	Gasoline
Low Oil Shutdown	Yes
Cast Iron Sleeve	Yes
Brushed or Brushless Alternator	Brushed
Automatic Voltage Regulator (AVR)	Yes
Fuel Tank Volume (Gal)	5.0
Fuel Gauge	Yes
Runtime @50% load (hours)	14.0
USDA FS Certified Spark Arrester	Yes



Handle	No
Wheel	No
Battery	No
Accessories	Oil Bottle-Funnel-Tool Kit
Warranty Residential / Commercial	3 Yrs Ltd / 90 Days
Carton LxWxH (inch)	24 x 18.1 x 19.9
Unit Weight (lbs)	101.5
Shipping Weight (lbs)	110



Performance

3650 Watt

Recoil

EPA



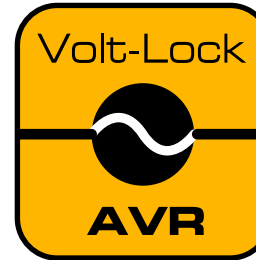
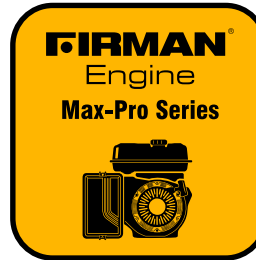
# P03612

## 3650 Watts Generator

# FIRMAN®

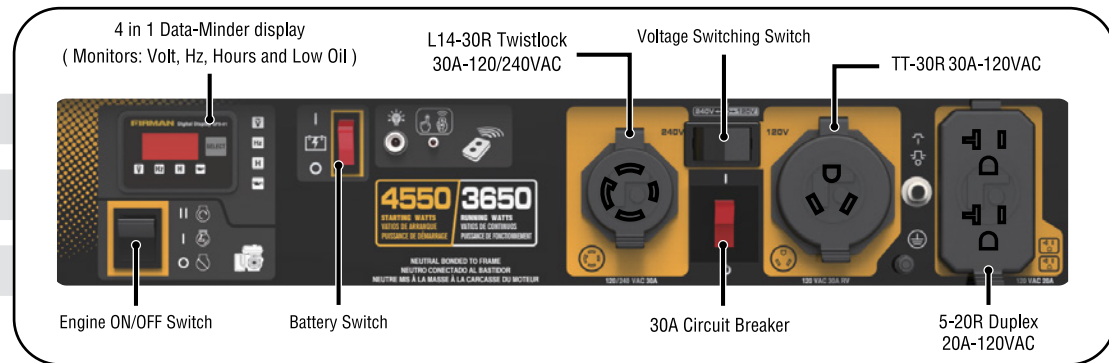
Performance series

Running / Starting Watts: 3650/4550



## Features & Benefits

- The FIRMAN OHV engine (Max-Pro Series) for longer life/higher performance/lower maintenance.
- Remote up to 55 yards away for ease of starting and shut down.
- Cast iron sleeved engine for long durability with automatic low oil shutdown protection.
- Largest tank in the industry with extended run-time (less re-fueling) with integrated fuel gauge for convenience.
- Quiet muffler (Whisper Series) with USDA FS certified spark arrester.
- Conveniently located multi-featured control panel with FIRMAN custom designed outlet cover protecting outlets from dirt, dust and debris.
- 4 in 1 Data-Minder monitors running hours, voltage and frequency in conjunction with our low oil indicator light.
- Wheel Kit with heavy duty and over size flat free wheels with high leverage single folding handle with grip for easy maneuver.
- Durable compact roll-cage frame design with 1.0" steel tubing.
- FIRMAN newly designed AVR (Automatic Voltage Regulator) VL (Volt-Lock) Series.
- Bonus accessories including engine oil, oil funnel and tool kit.
- Included battery for your convenience.
- 3 year warranty: best in industry.



# P03612

## 3650 Watts Generator



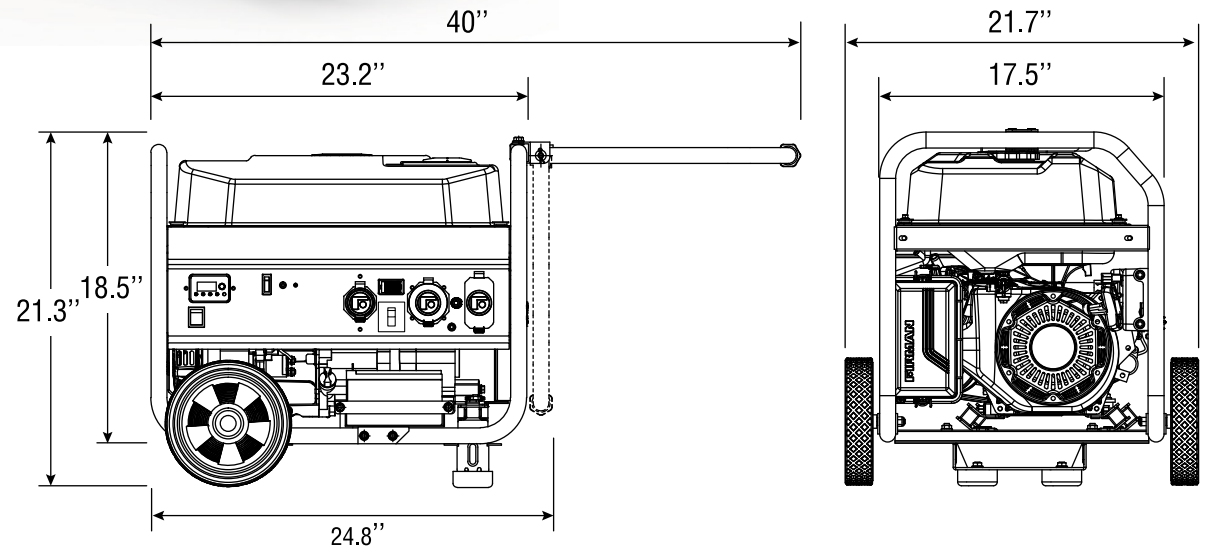
### Performance series

### Specification

Model /Rev Level	P03612 / 01
UPC	840876136126
49 States	Yes
California (CARB)	No
Canada (CETL)	Yes
Running Watts	3650
Starting Watts	4550
Frequency (Hz)	60
Engine Displacement (cc)	208
Engine Type	OHV
Starting System	Recoil/Electric/Remote
Cylinder	Single
Fuel Type	Gasoline
Low Oil Shutdown	Yes
Cast Iron Sleeve	Yes
Brushed or Brushless Alternator	Brushed
Automatic Voltage Regulator (AVR)	Yes
Fuel Tank Volume (Gal)	5.0
Fuel Gauge	Yes
Runtime @50% load (hours)	14.0
USDA FS Certified Spark Arrester	Yes



Handle	Single Folding
Wheel	8.0" Flat Free
Battery	Yes
Accessories	Oil Bottle-Funnel-Tool Kit
Warranty Residential / Commercial	3 Yrs Ltd / 90 Days
Carton LxWxH (inch)	27.2 x 18.1 x 19.9
Unit Weight (lbs)	119.5
Shipping Weight (lbs)	128



Performance

3650 Watt

Recoil/Electric/Remote

EPA/cETL

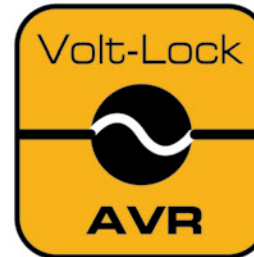
# P05701

## 5700 Watts Generator

# FIRMAN®

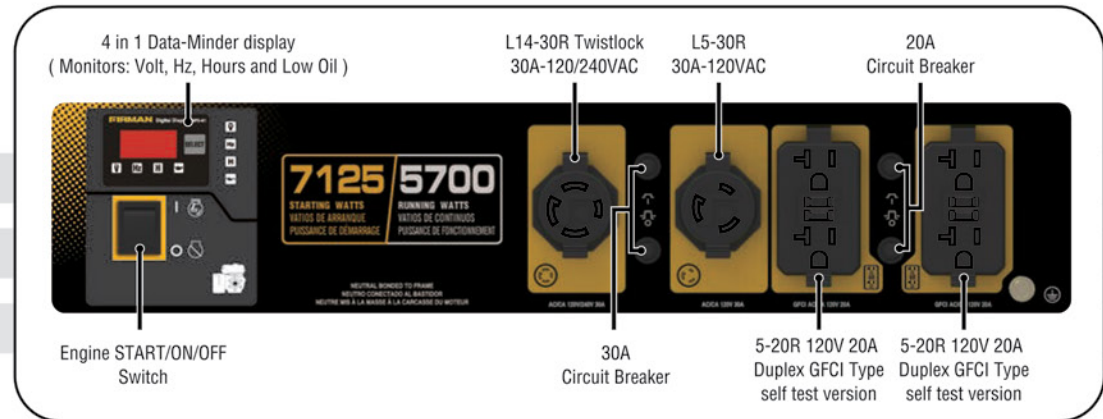
Performance series

Running / Starting Watts: 5700/7125



### Features & Benefits

- The FIRMAN OHV engine (Max-Pro Series) for longer life/higher performance/lower maintenance.
- Cast iron sleeved engine for long durability with automatic low oil shutdown protection.
- Largest tank in the industry with extended run-time (less re-fueling) with integrated fuel gauge for convenience.
- Quiet muffler (Whisper Series) with USDA FS certified spark arrester.
- Conveniently located multi-featured control panel with FIRMAN custom designed outlet cover protecting outlets from dirt, dust and debris.
- 4 in 1 Data-Minder monitors running hours, voltage and frequency in conjunction with our low oil indicator light.
- Wheel Kit with heavy duty and over size flat free wheels with high leverage single folding handle with grip for easy maneuver.
- Durable compact roll-cage frame design with 1.2" steel tubing.
- FIRMAN newly designed AVR (Automatic Voltage Regulator) VL (Volt-Lock) Series.
- Bonus accessories including engine oil, oil funnel and tool kit.
- 3 year warranty: best in industry.



# P05701

## 5700 Watts Generator

# FIRMAN®

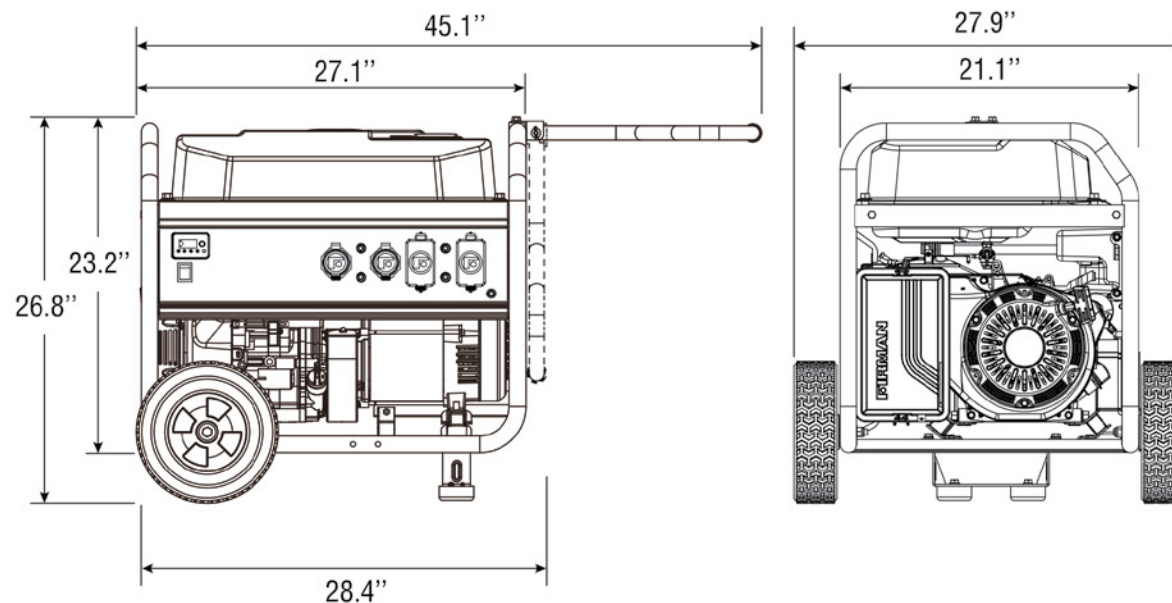
### Performance series

### Specification

Model /Rev Level	P05701 / 00
UPC	840876157015
49 States	Yes
California (CARB)	No
Canada (CETL)	No
Running Watts	5700
Starting Watts	7125
Frequency (Hz)	60
Engine Displacement (cc)	389
Engine Type	OHV
Starting System	Recoil
Cylinder	Single
Fuel Type	Gasoline
Low Oil Shutdown	Yes
Cast Iron Sleeve	Yes
Brushed or Brushless Alternator	Brushed
Automatic Voltage Regulator (AVR)	Yes
Fuel Tank Volume (Gal)	8.0
Fuel Gauge	Yes
Runtime @50% load (hours)	13.0
USDA FS Certified Spark Arrester	Yes



Handle	Single Folding
Wheel	10.0" Flat Free
Battery	No
Accessories	Oil Bottle-Funnel-Tool Kit
Warranty Residential / Commercial	3 Yrs Ltd / 90 Days
Carton LxWxH (inch)	31.7 x 21.7 x 24.4
Unit Weight (lbs)	178
Shipping Weight (lbs)	188.5



Performance

5700 Watt

Recoil

EPA

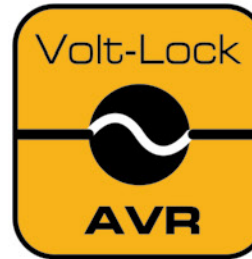
# P05702

## 5700 Watts Generator

# FIRMAN®

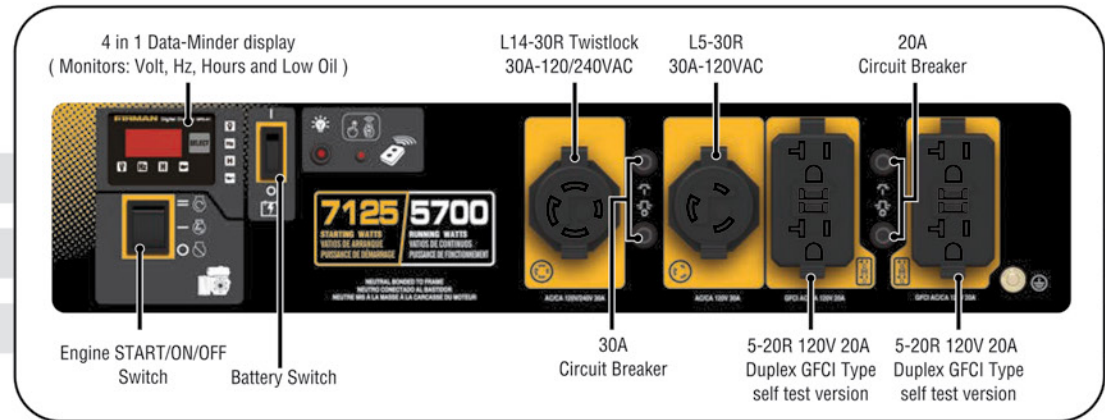
Performance series

Running / Starting Watts: 5700/7125



### Features & Benefits

- The FIRMAN OHV engine (Max-Pro Series) for longer life/higher performance/lower maintenance.
- Cast iron sleeved engine for long durability with automatic low oil shutdown protection.
- Largest tank in the industry with extended run-time (less re-fueling) with integrated fuel gauge for convenience.
- Quiet muffler (Whisper Series) with USDA FS certified spark arrester.
- Conveniently located multi-featured control panel with FIRMAN custom designed outlet cover protecting outlets from dirt, dust and debris.
- 4 in 1 Data-Minder monitors running hours, voltage and frequency in conjunction with our low oil indicator light.
- Wheel Kit with heavy duty and over size flat free wheels with high leverage single folding handle with grip for easy maneuver.
- Durable compact roll-cage frame design with 1.2" steel tubing.
- FIRMAN newly designed AVR (Automatic Voltage Regulator) VL (Volt-Lock) Series.
- Bonus accessories including engine oil, oil funnel and tool kit.
- Included battery for your convenience.
- 3 year warranty: best in industry.



# P05702

## 5700 Watts Generator

# FIRMAN®

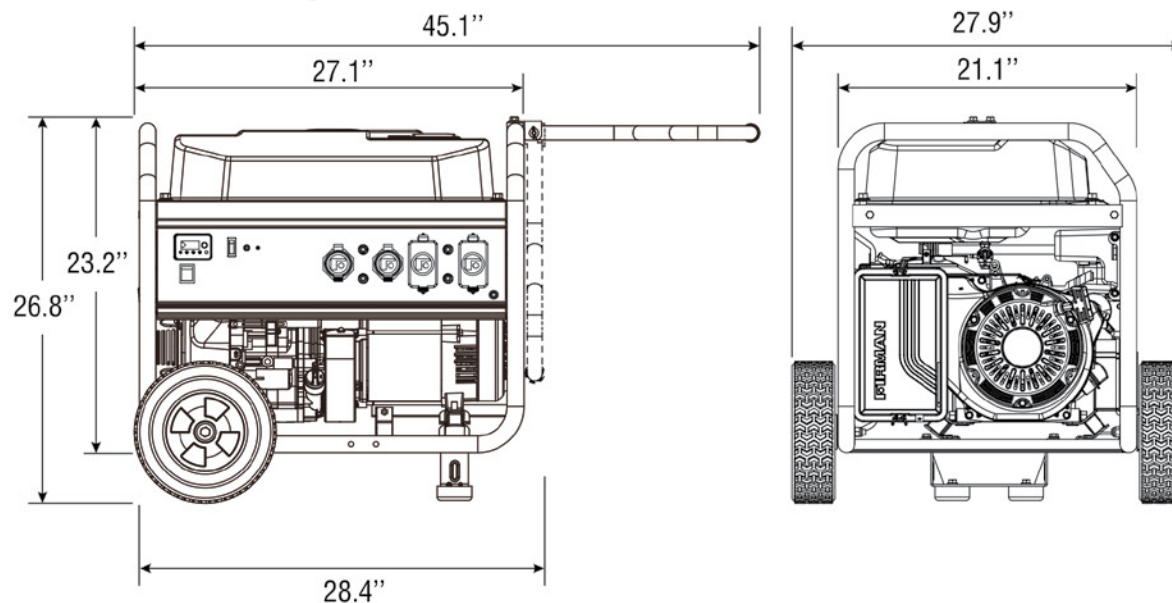
### Performance series

### Specification

Model /Rev Level	P05702 / 00
UPC	840876157022
49 States	Yes
California (CARB)	No
Canada (CETL)	No
Running Watts	5700
Starting Watts	7125
Frequency (Hz)	60
Engine Displacement (cc)	389
Engine Type	OHV
Starting System	Recoil/Electric/Remote
Cylinder	Single
Fuel Type	Gasoline
Low Oil Shutdown	Yes
Cast Iron Sleeve	Yes
Brushed or Brushless Alternator	Brushed
Automatic Voltage Regulator (AVR)	Yes
Fuel Tank Volume (Gal)	8.0
Fuel Gauge	Yes
Runtime @50% load (hours)	13.0
USDA FS Certified Spark Arrester	Yes



Handle	Single Folding
Wheel	10.0" Flat Free
Battery	Yes
Accessories	Oil Bottle-Funnel-Tool Kit
Warranty Residential / Commercial	3 Yrs Ltd / 90 Days
Carton LxWxH (inch)	31.7 x 21.7 x 24.4
Unit Weight (lbs)	178
Shipping Weight (lbs)	188.5



Performance

5700 Watt

Recoil/Electric/Remote

EPA

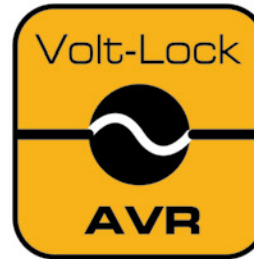
# P05703

## 5700 Watts Generator

# FIRMAN®

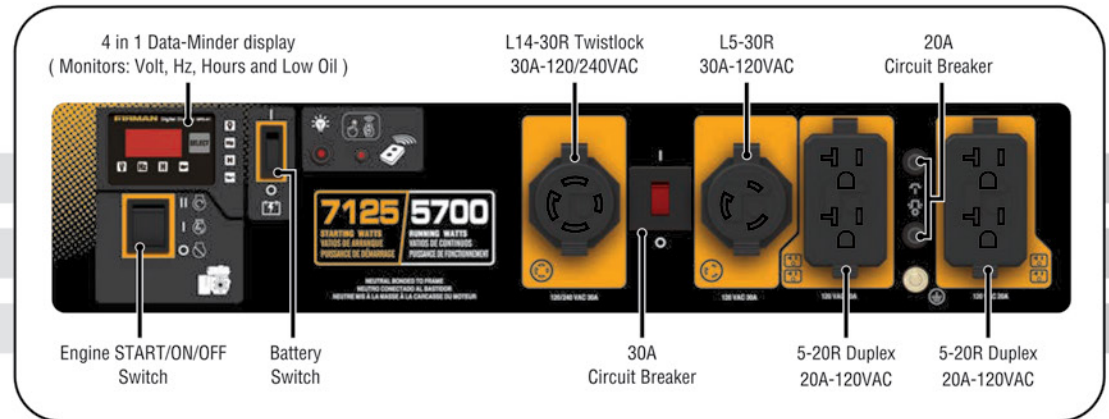
Performance series

Running / Starting Watts: 5700/7125



### Features & Benefits

- The FIRMAN OHV engine (Max-Pro Series) for longer life/higher performance/lower maintenance.
- Cast iron sleeved engine for long durability with automatic low oil shutdown protection.
- Largest tank in the industry with extended run-time (less re-fueling) with integrated fuel gauge for convenience.
- Quiet muffler (Whisper Series) with USDA FS certified spark arrester.
- Conveniently located multi-featured control panel with FIRMAN custom designed outlet cover protecting outlets from dirt, dust and debris.
- 4 in 1 Data-Minder monitors running hours, voltage and frequency in conjunction with our low oil indicator light.
- Wheel Kit with heavy duty and over size flat free wheels with high leverage single folding handle with grip for easy maneuver.
- Durable compact roll-cage frame design with 1.2" steel tubing.
- FIRMAN newly designed AVR (Automatic Voltage Regulator) VL (Volt-Lock) Series.
- Bonus accessories including engine oil, oil funnel and tool kit.
- Included battery for your convenience.
- 3 year warranty: best in industry.



# P05703

## 5700 Watts Generator

# FIRMAN®

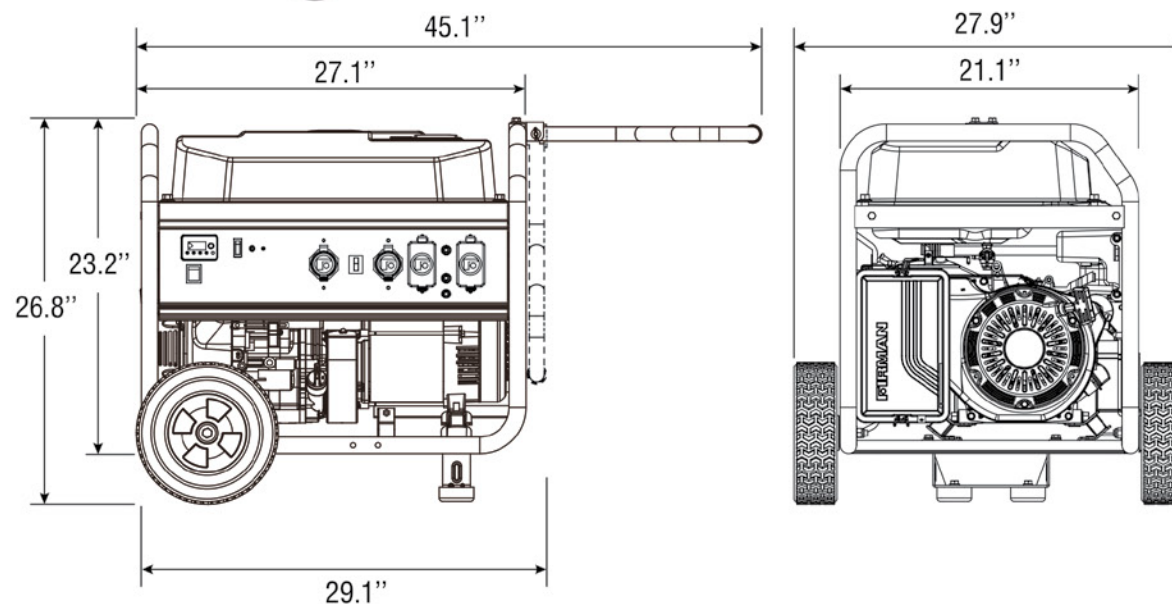
### Performance series

### Specification

Model /Rev Level	P05703 / 00
UPC	840876157039
49 States	Yes
California (CARB)	No
Canada (CETL)	Yes
Running Watts	5700
Starting Watts	7125
Frequency (Hz)	60
Engine Displacement (cc)	389
Engine Type	OHV
Starting System	Recoil/Electric/Remote
Cylinder	Single
Fuel Type	Gasoline
Low Oil Shutdown	Yes
Cast Iron Sleeve	Yes
Brushed or Brushless Alternator	Brushed
Automatic Voltage Regulator (AVR)	Yes
Fuel Tank Volume (Gal)	8.0
Fuel Gauge	Yes
Runtime @50% load (hours)	13.0
USDA FS Certified Spark Arrester	Yes



Handle	Single Folding
Wheel	10.0" Flat Free
Battery	Yes
Accessories	Oil Bottle-Funnel-Tool Kit
Warranty Residential / Commercial	3 Yrs Ltd / 90 Days
Carton LxWxH (inch)	31.7 x 21.7 x 24.4
Unit Weight (lbs)	178
Shipping Weight (lbs)	188.5



Performance

5700 Watt

Recoil/Electric/Remote

EPA/cETL



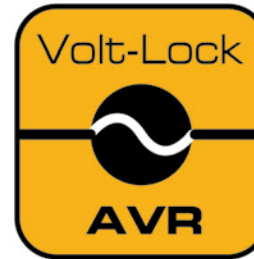
# P08001

## 8000 Watts Generator

# FIRMAN®

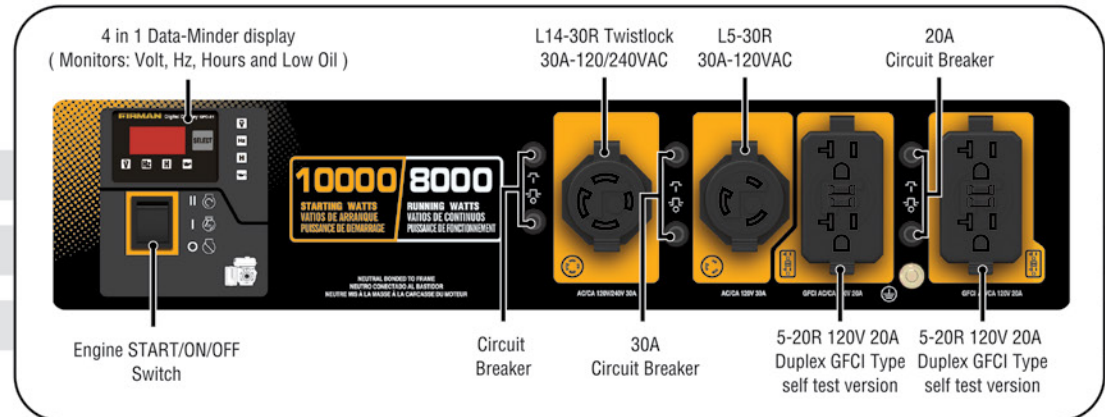
Performance series

Running / Starting Watts: 8000/10000



### Features & Benefits

- The FIRMAN OHV engine (Max-Pro Series) for longer life/higher performance/lower maintenance.
- Cast iron sleeved engine for long durability with automatic low oil shutdown protection.
- Largest tank in the industry with extended run-time (less re-fueling) with integrated fuel gauge for convenience.
- Quiet muffler (Whisper Series) with USDA FS certified spark arrester.
- Conveniently located multi-featured control panel with FIRMAN custom designed outlet cover protecting outlets from dirt, dust and debris.
- 4 in 1 Data-Minder monitors running hours, voltage and frequency in conjunction with our low oil indicator light.
- Wheel Kit with heavy duty and over size flat free wheels with high leverage single folding handle with grip for easy maneuver.
- Durable compact roll-cage frame design with 1.2" steel tubing.
- FIRMAN new designed AVR (Automatic Voltage Regulator) VL (Volt-Lock) Series.
- Bonus accessories including engine oil, oil funnel and tool kit.
- Included battery for your convenience.
- 3 year warranty: best in industry.



# P08001

## 8000 Watts Generator

# FIRMAN®

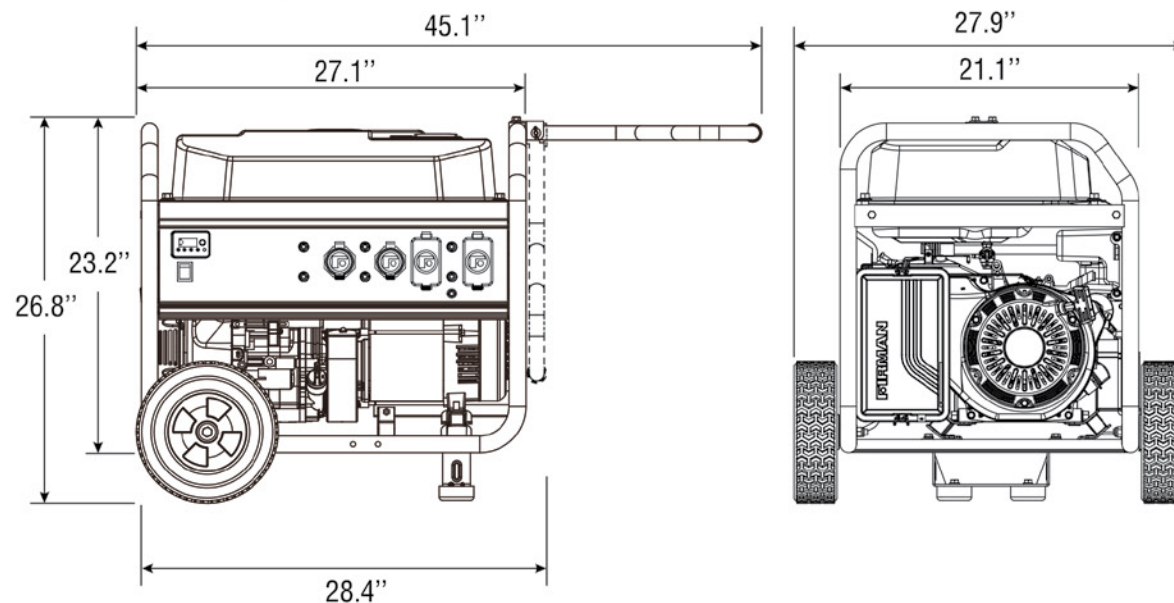
Performance series

### Specification

Model /Rev Level	P08001 / 00
UPC	840876180013
49 States	Yes
California (CARB)	Yes
Canada (CETL)	No
Running Watts	8000
Starting Watts	10000
Frequency (Hz)	60
Engine Displacement (cc)	439
Engine Type	OHV
Starting System	Recoil/Electric
Cylinder	Single
Fuel Type	Gasoline
Low Oil Shutdown	Yes
Cast Iron Sleeve	Yes
Brushed or Brushless Alternator	Brushed
Automatic Voltage Regulator (AVR)	Yes
Fuel Tank Volume (Gal)	8.0
Fuel Gauge	Yes
Runtime @50% load (hours)	12.0
USDA FS Certified Spark Arrester	Yes



Handle	Single Folding
Wheel	10.0" Flat Free
Battery	Yes
Accessories	Oil Bottle-Funnel-Tool Kit
Warranty Residential / Commercial	3 Yrs Ltd / 90 Days
Carton LxWxH (inch)	31.7 x 21.7 x 24.4
Unit Weight (lbs)	178
Shipping Weight (lbs)	188.5



Performance

8000 Watt

Recoil/Electric

EPA/CARB

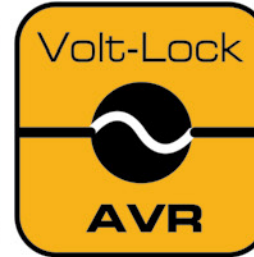
# P08002

## 8000 Watts Generator

# FIRMAN®

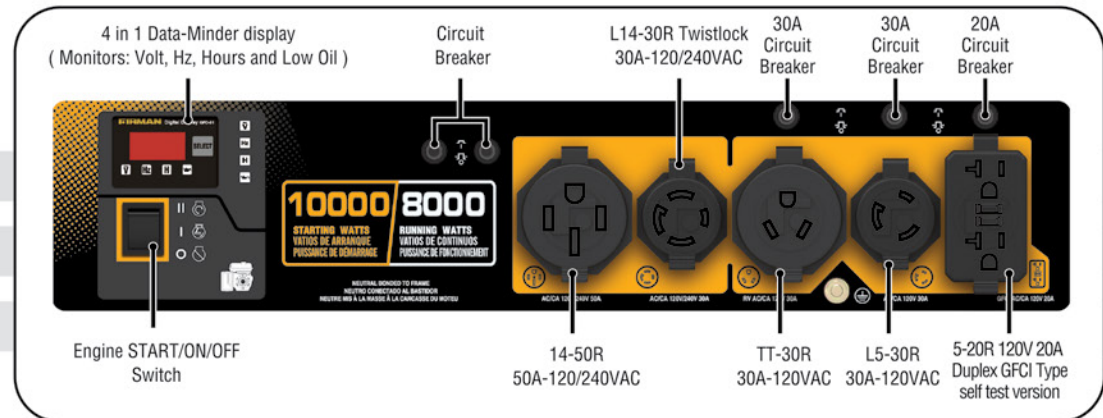
Performance series

Running / Starting Watts: 8000/10000



### Features & Benefits

- The FIRMAN OHV engine (Max-Pro Series) for longer life/higher performance/lower maintenance.
- Cast iron sleeved engine for long durability with automatic low oil shutdown protection.
- Largest tank in the industry with extended run-time (less re-fueling) with integrated fuel gauge for convenience.
- Quiet muffler (Whisper Series) with USDA FS certified spark arrester.
- Conveniently located multi-featured control panel with FIRMAN custom designed outlet cover protecting outlets from dirt, dust and debris.
- 4 in 1 Data-Minder monitors running hours, voltage and frequency in conjunction with our low oil indicator light.
- Wheel Kit with heavy duty and over size flat free wheels with high leverage single folding handle with grip for easy maneuver.
- Durable compact roll-cage frame design with 1.2" steel tubing.
- FIRMAN newly designed AVR (Automatic Voltage Regulator) VL (Volt-Lock) Series.
- Bonus accessories including engine oil, oil funnel and tool kit.
- Included battery for your convenience.
- 3 year warranty: best in industry.



# P08002

## 8000 Watts Generator

# FIRMAN®

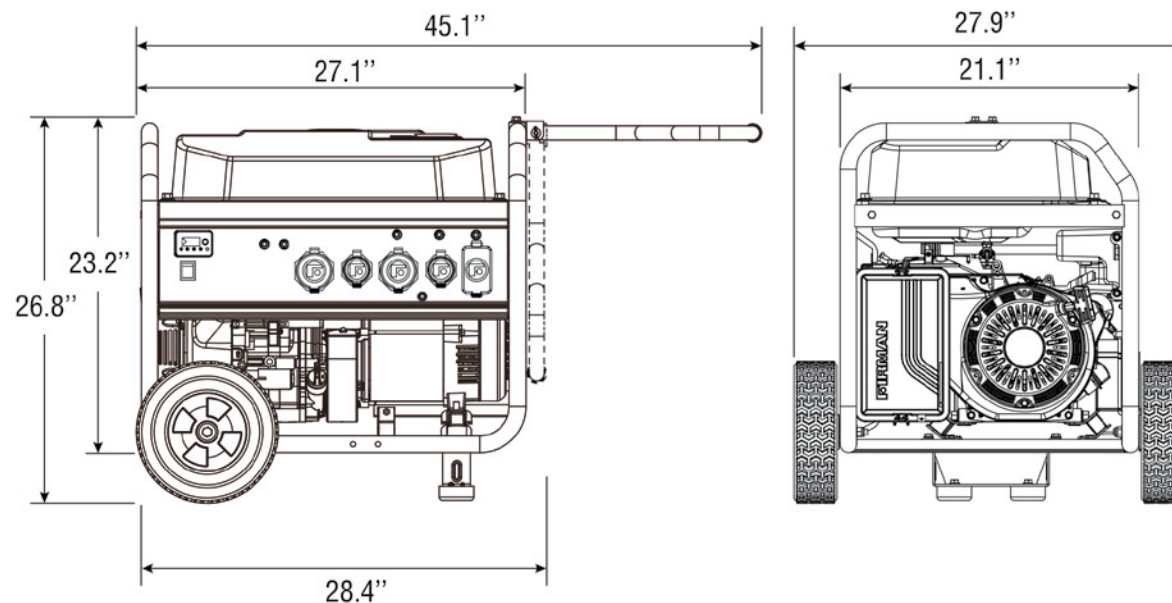
### Performance series

### Specification

Model /Rev Level	P08002 / 00
UPC	840876180020
49 States	Yes
California (CARB)	Yes
Canada (CETL)	No
Running Watts	8000
Starting Watts	10000
Frequency (Hz)	60
Engine Displacement (cc)	439
Engine Type	OHV
Starting System	Recoil/Electric
Cylinder	Single
Fuel Type	Gasoline
Low Oil Shutdown	Yes
Cast Iron Sleeve	Yes
Brushed or Brushless Alternator	Brushed
Automatic Voltage Regulator (AVR)	Yes
Fuel Tank Volume (Gal)	8.0
Fuel Gauge	Yes
Runtime @50% load (hours)	12.0
USDA FS Certified Spark Arrester	Yes



Handle	Single Folding
Wheel	10.0" Flat Free
Battery	Yes
Accessories	Oil Bottle-Funnel-Tool Kit
Warranty Residential / Commercial	3 Yrs Ltd / 90 Days
Carton LxWxH (inch)	31.7 x 21.7 x 24.4
Unit Weight (lbs)	178
Shipping Weight (lbs)	188.5



Performance

8000 Watt

Recoil/Electric

EPA/CARB

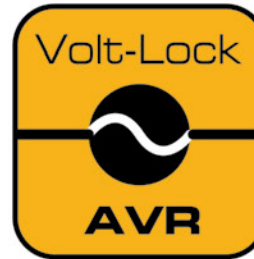
# P08003

## 8000 Watts Generator

# FIRMAN®

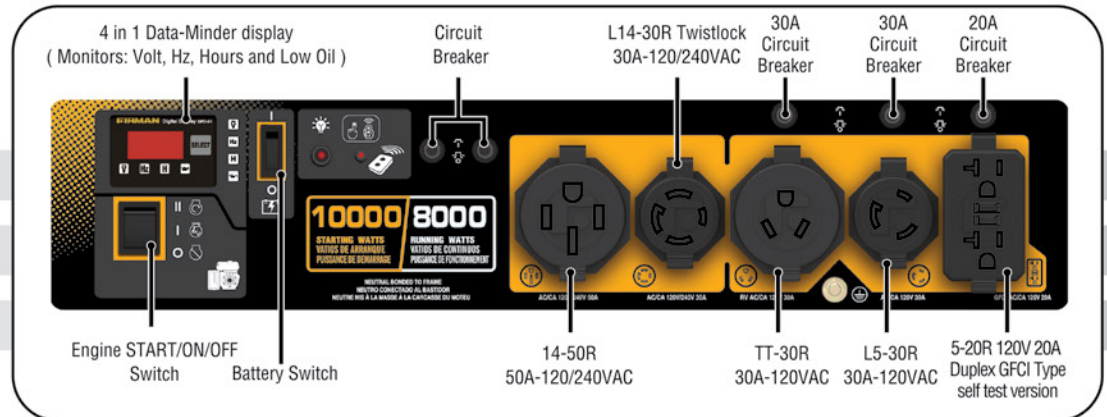
Performance series

Running / Starting Watts: 8000/10000



### Features & Benefits

- The FIRMAN OHV engine (Max-Pro Series) for longer life/higher performance/lower maintenance.
- Cast iron sleeved engine for long durability with automatic low oil shutdown protection.
- Largest tank in the industry with extended run-time (less re-fueling) with integrated fuel gauge for convenience.
- Quiet muffler (Whisper Series) with USDA FS certified spark arrester.
- Conveniently located multi-featured control panel with FIRMAN custom designed outlet cover protecting outlets from dirt, dust and debris.
- 4 in 1 Data-Minder monitors running hours, voltage and frequency in conjunction with our low oil indicator light.
- Wheel Kit with heavy duty and over size flat free wheels with high leverage single folding handle with grip for easy maneuver.
- Durable compact roll-cage frame design with 1.2" steel tubing.
- FIRMAN newly designed AVR (Automatic Voltage Regulator) VL (Volt-Lock) Series.
- Bonus accessories including engine oil, oil funnel and tool kit.
- Included battery for your convenience.
- 3 year warranty: best in industry.



# P08003

## 8000 Watts Generator

# FIRMAN®

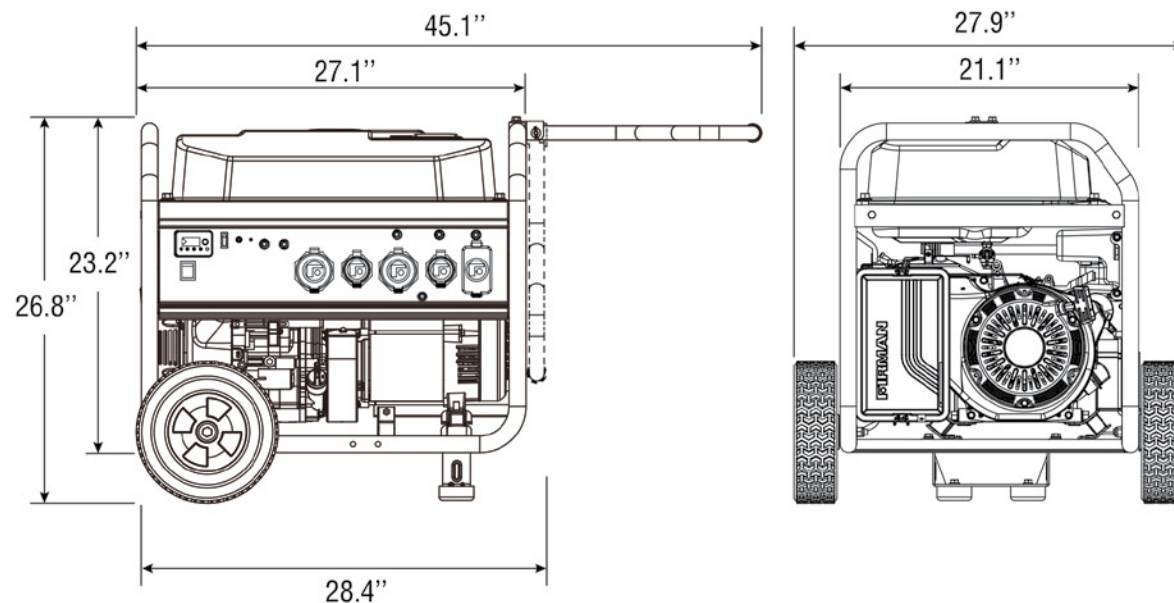
### Performance series

### Specification

Model /Rev Level	P08003 / 01
UPC	840876180037
49 States	Yes
California (CARB)	Yes
Canada (CETL)	No
Running Watts	8000
Starting Watts	10000
Frequency (Hz)	60
Engine Displacement (cc)	439
Engine Type	OHV
Starting System	Recoil/Electric/Remote
Cylinder	Single
Fuel Type	Gasoline
Low Oil Shutdown	Yes
Cast Iron Sleeve	Yes
Brushed or Brushless Alternator	Brushed
Automatic Voltage Regulator (AVR)	Yes
Fuel Tank Volume (Gal)	8.0
Fuel Gauge	Yes
Runtime @50% load (hours)	12.0
USDA FS Certified Spark Arrester	Yes



Handle	Single Folding
Wheel	10.0" Flat Free
Battery	Yes
Accessories	Oil Bottle-Funnel-Tool Kit
Warranty Residential / Commercial	3 Yrs Ltd / 90 Days
Carton LxWxH (inch)	31.7 x 21.7 x 24.4
Unit Weight (lbs)	210.3
Shipping Weight (lbs)	237.6



Performance

8000 Watt

Recoil/Electric/Remote

EPA/CARB

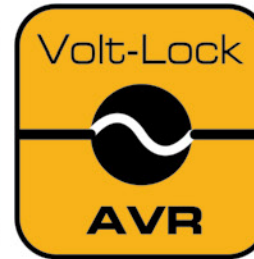
# P08004

## 8000 Watts Generator

# FIRMAN®

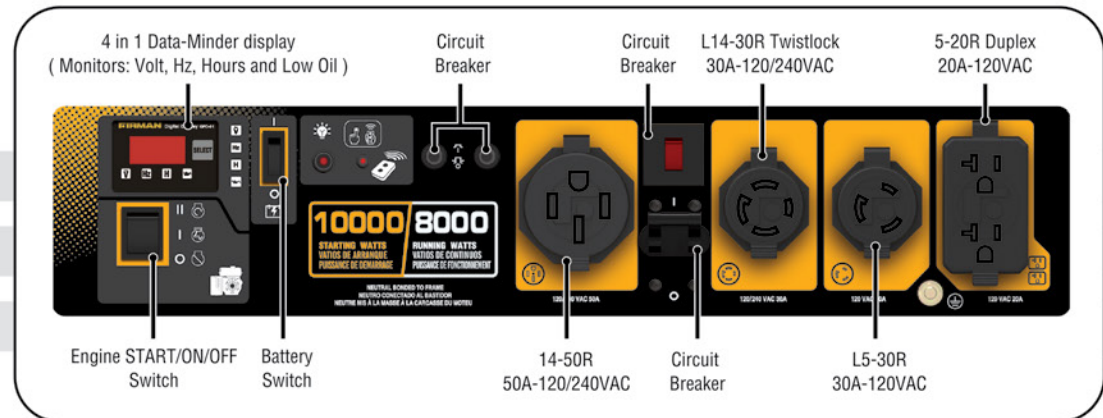
Performance series

Running / Starting Watts: 8000/10000



## Features & Benefits

- The FIRMAN OHV engine (Max-Pro Series) for longer life/higher performance/lower maintenance.
- Cast iron sleeved engine for long durability with automatic low oil shutdown protection.
- Largest tank in the industry with extended run-time (less re-fueling) with integrated fuel gauge for convenience.
- Quiet muffler (Whisper Series) with USDA FS certified spark arrester.
- Conveniently located multi-featured control panel with FIRMAN custom designed outlet cover protecting outlets from dirt, dust and debris.
- 4 in 1 Data-Minder monitors running hours, voltage and frequency in conjunction with our low oil indicator light.
- Wheel Kit with heavy duty and over size flat free wheels with high leverage single folding handle with grip for easy maneuver.
- Durable compact roll-cage frame design with 1.2" steel tubing.
- FIRMAN newly designed AVR (Automatic Voltage Regulator) VL (Volt-Lock) Series.
- Bonus accessories including engine oil, oil funnel and tool kit.
- Included battery for your convenience.
- 3 year warranty: best in industry.



# P08004

## 8000 Watts Generator

# FIRMAN®

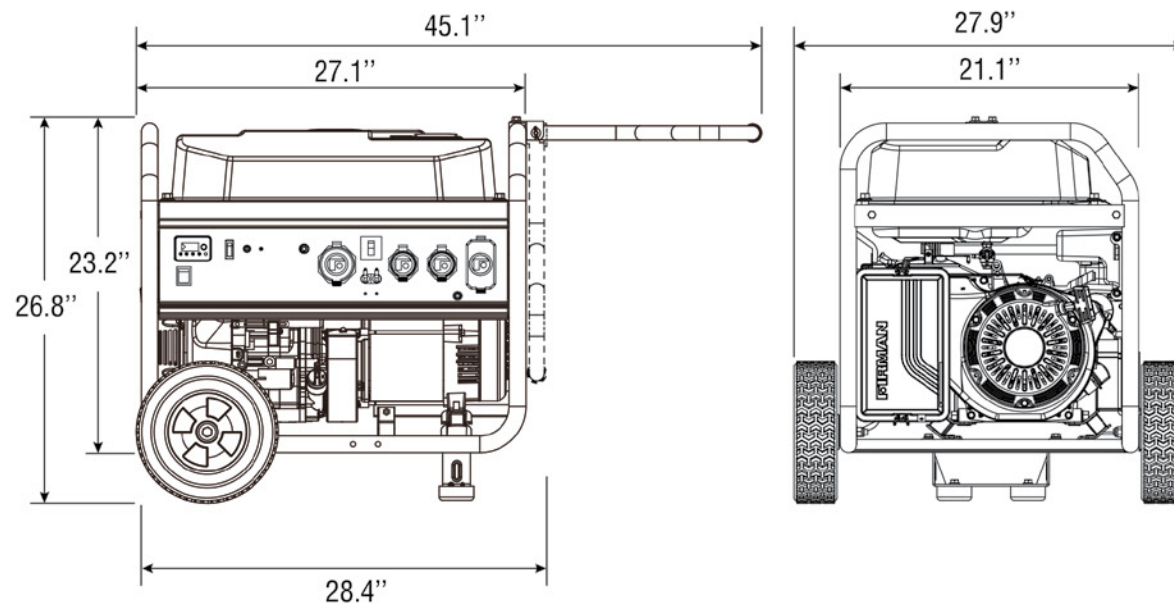
### Performance series

### Specification

Model /Rev Level	P08004 / 00
UPC	840876180044
49 States	Yes
California (CARB)	No
Canada (CETL)	Yes
Running Watts	8000
Starting Watts	10000
Frequency (Hz)	60
Engine Displacement (cc)	439
Engine Type	OHV
Starting System	Recoil/Electric/Remote
Cylinder	Single
Fuel Type	Gasoline
Low Oil Shutdown	Yes
Cast Iron Sleeve	Yes
Brushed or Brushless Alternator	Brushed
Automatic Voltage Regulator (AVR)	Yes
Fuel Tank Volume (Gal)	8.0
Fuel Gauge	Yes
Runtime @50% load (hours)	12.0
USDA FS Certified Spark Arrester	Yes



Handle	Single Folding
Wheel	10.0" Flat Free
Battery	Yes
Accessories	Oil Bottle-Funnel-Tool Kit
Warranty Residential / Commercial	3 Yrs Ltd / 90 Days
Carton LxWxH (inch)	31.7 x 21.7 x 24.4
Unit Weight (lbs)	210.3
Shipping Weight (lbs)	237.6



Performance

8000 Watt

Recoil/Electric

EPA/cETL



# Whisper Series

True to its name the FIRMAN Whisper Series features some of the quietest inverter generators on the market. We've engineered these inverters so that they are able to vary their engine speed based on load. Not only does this technology mean FIRMAN inverters are whisper quiet, it makes them incredibly fuel efficient, providing up to 9 hours of run time on one tank of fuel. FIRMAN Whisper Series inverters deliver clean power at a very low Total Harmonic Distortion (THD) which makes them ideal for sensitive medical or electronic equipment.

In order to provide the ultimate in flexibility all FIRMAN Whisper Series inverters include USB ports that can be used to charge cell phones, tablets and all of the other devices that have become such integral parts of our lives. Our 3000W series inverters and parallel kits feature an RV-Ready TT-30R outlet so you can keep the fun going with your camper, toy hauler or RV. It's possible to achieve nearly double power or more by connecting two FIRMAN Whisper Series inverters with a FIRMAN Parallel Kit, and with FIRMAN you have the freedom to connect two of the same or even different size inverters. To ensure safety in all types of weather we've included outlet covers on every Whisper Series inverter.

In the areas of ease of use and service FIRMAN has delivered in a big way! FIRMAN Whisper Series Inverters include everything you need to get started right in the box, including a detailed owner's manual, funnel, start-up oil, tool kit, and quick-start guide. We've backed up every FIRMAN Whisper Series inverter with our legendary 3 year warranty as well as technical support provided by our highly skilled technicians in Phoenix, AZ.

**SOME OF THE QUIETEST  
INVERTER GENERATORS  
ON THE MARKET**

# WO1781

## 1700 Watts Generator

# FIRMAN®

Whisper series

Running / Starting Watts: 1700/2100

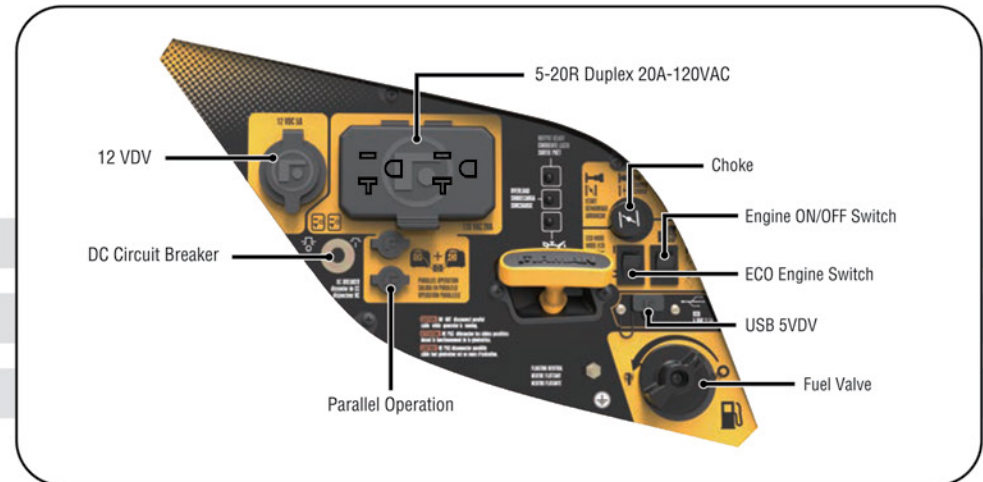


- Double Your Power**  
Connect Two Inverter Generators
- Clean Power**  
< 3% THD
- Fuel Economy Mode**
- Up to 9 Hour**  
Run Time
- Quiet Operation**  
59dB
- Accessories**
- FIRMAN Engine**  
Max-Pro Series



### Features & Benefits

- Fuel Economy Mode - reduces fuel consumption and promotes engine efficiency.
- The FIRMAN OHV engine (Max-Pro Series) for longer life/higher performance/lower maintenance.
- Cast iron sleeved engine for long durability with automatic low oil shutdown protection.
- Largest tank in the industry with extended run-time (less re-fueling) with integrated fuel gauge for convenience.
- Quiet muffler (Whisper Series) with USDA FS certified spark arrester.
- Conveniently located multi-featured control panel with FIRMAN custom designed outlet cover protecting outlets from dirt, dust and debris.
- Bonus accessories including engine oil, oil funnel, tool kit and battery charge cable.
- 3 year warranty.



# W01781

## 1700 Watts Generator

# FIRMAN®

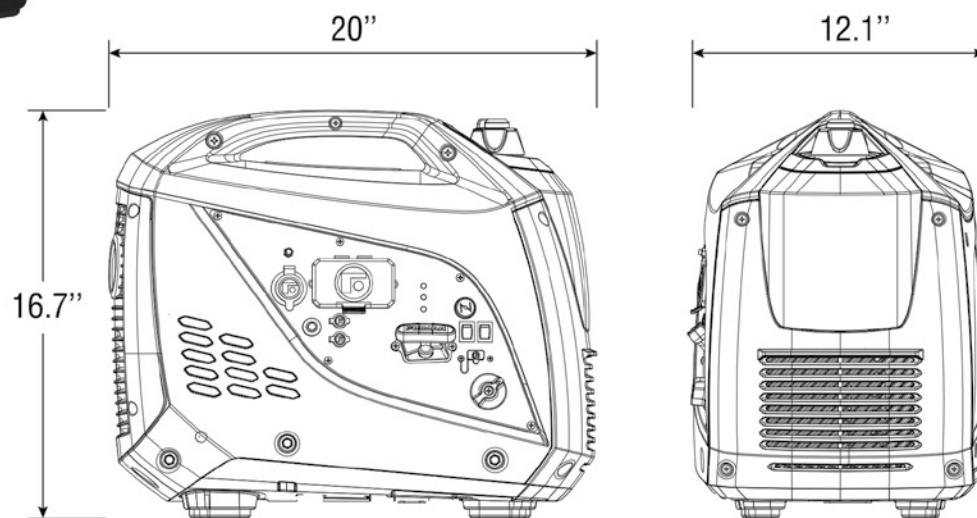
### Whisper series

### Specification

Model /Rev Level	W01781 / 01
UPC	840876117811
50 States	Yes
California (CARB)	Yes
Canada (CETL)	Yes
Running Watts	1700
Starting Watts	2100
Frequency (Hz)	60
Engine Displacement (cc)	80
Engine Type	OHV
Starting System	Recoil
Cylinder	Single
Fuel Type	Gasoline
Low Oil Shutdown	Yes
Cast Iron Sleeve	Yes
Brushed or Brushless Alternator	Brushless
Inverter	Yes
Fuel Tank Volume (Gal)	0.9
Fuel Gauge	No
Runtime @25% load (hours)	9.0
USDA FS Certified Spark Arrester	Yes



Battery	No
Accessories	Oil Bottle-Funnel-Tool Kit -Battery Charger Cable
Warranty Residential / Commercial (years)	3 Yrs Ltd / 90 Days
Carton LxWxH (inch)	21.7 x 15.0 x 18.3
Unit Weight (lbs)	45.9
Shipping Weight (lbs)	51.6



Whisper

1700 Watt

Recoil

EPA/CARB/cETL

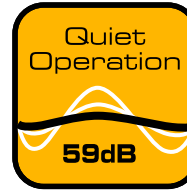
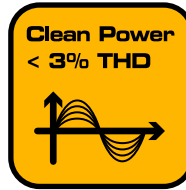
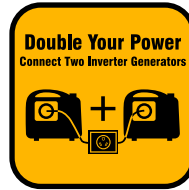
# WO1782

## 1700 Watts Generator

# FIRMAN®

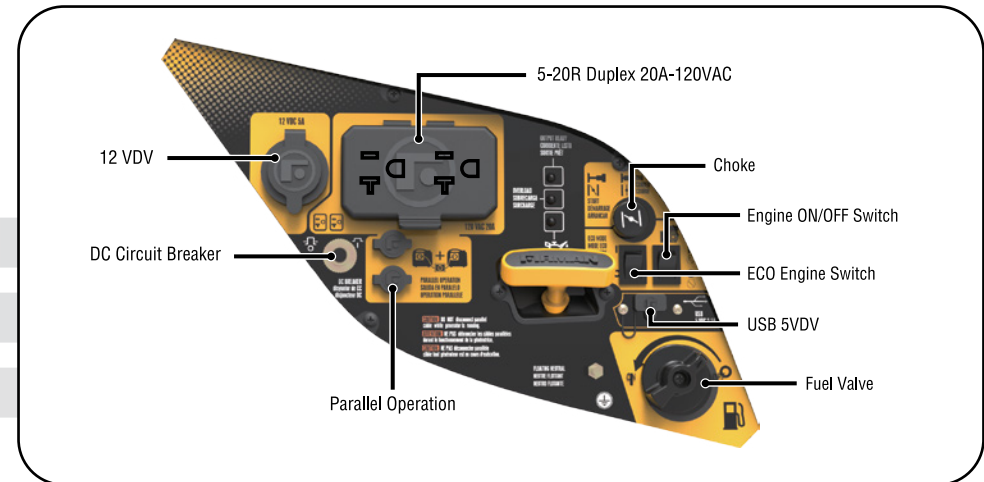
Whisper series

Running / Starting Watts: 1700/2100



### Features & Benefits

- Fuel Economy Mode - reduces fuel consumption and promotes engine efficiency.
- The FIRMAN OHV engine (Max-Pro Series) for longer life/higher performance/lower maintenance.
- Cast iron sleeved engine for long durability with automatic low oil shutdown protection.
- Largest tank in the industry with extended run-time (less re-fueling) with integrated fuel gauge for convenience.
- Quiet muffler (Whisper Series) with USDA FS certified spark arrester.
- Conveniently located multi-featured control panel with FIRMAN custom designed outlet cover protecting outlets from dirt, dust and debris.
- Bonus accessories including engine oil, oil funnel, tool kit and battery charge cable.
- Lifetime warranty.



# W01782

## 1700 Watts Generator



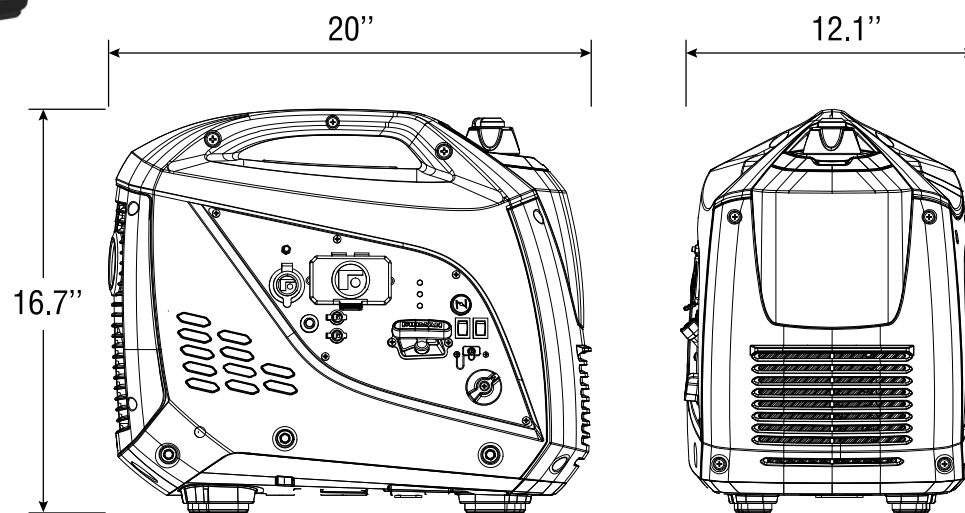
Whisper series

### Specification

Model /Rev Level	W01782 / 00
UPC	840876117828
50 States	Yes
California (CARB)	Yes
Canada (CETL)	Yes
Running Watts	1700
Starting Watts	2100
Frequency (Hz)	60
Engine Displacement (cc)	80
Engine Type	OHV
Starting System	Recoil
Cylinder	Single
Fuel Type	Gasoline
Low Oil Shutdown	Yes
Cast Iron Sleeve	Yes
Brushed or Brushless Alternator	Brushless
Inverter	Yes
Fuel Tank Volume (Gal)	0.9
Fuel Gauge	No
Runtime @25% load (hours)	9.0
USDA FS Certified Spark Arrester	Yes



Battery	No
Accessories	Oil Bottle-Funnel-Tool Kit -Battery Charger Cable
Warranty Residential / Commercial	3 Yrs Ltd / 90 Days
Carton LxWxH (inch)	21.7 x 15.0 x 18.3
Unit Weight (lbs)	45.9
Shipping Weight (lbs)	51.6



Whisper

1700 Watt

Recoil

EPA/CARB/cETL

# W03081

## 3000 Watts Generator

# FIRMAN®

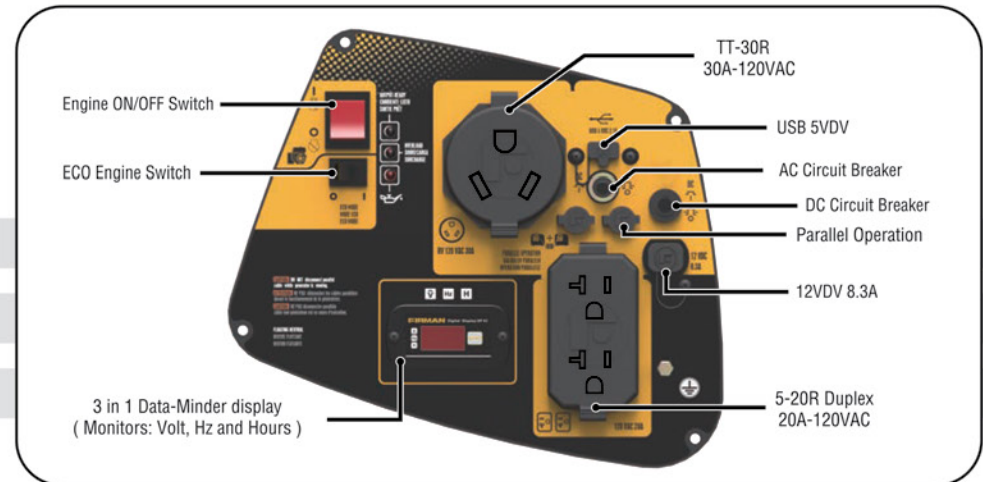
Whisper series

Running / Starting Watts: 3000/3300



### Features & Benefits

- Fuel Economy Mode - reduces fuel consumption and promotes engine efficiency.
- The FIRMAN OHV engine ( Max-Pro Series) for longer life/higher performance/lower maintenance.
- Cast iron sleeved engine for long durability with automatic low oil shutdown protection.
- Largest tank in industry with extended run-time (less re-fueling).
- Quiet muffler (Whisper Series) with USDA FS certified spark arrester.
- Conveniently located multi-featured control panel with FIRMAN custom designed outlet cover protecting outlets from dirt, dust and debris.
- 3 in 1 Data-Minder monitors running hours, voltage and frequency in conjunction.
- Bonus accessories including engine oil, oil funnel, tool kit and battery charge cable.
- 3 year warranty: best in industry.



# W03081

## 3000 Watts Generator

# FIRMAN®

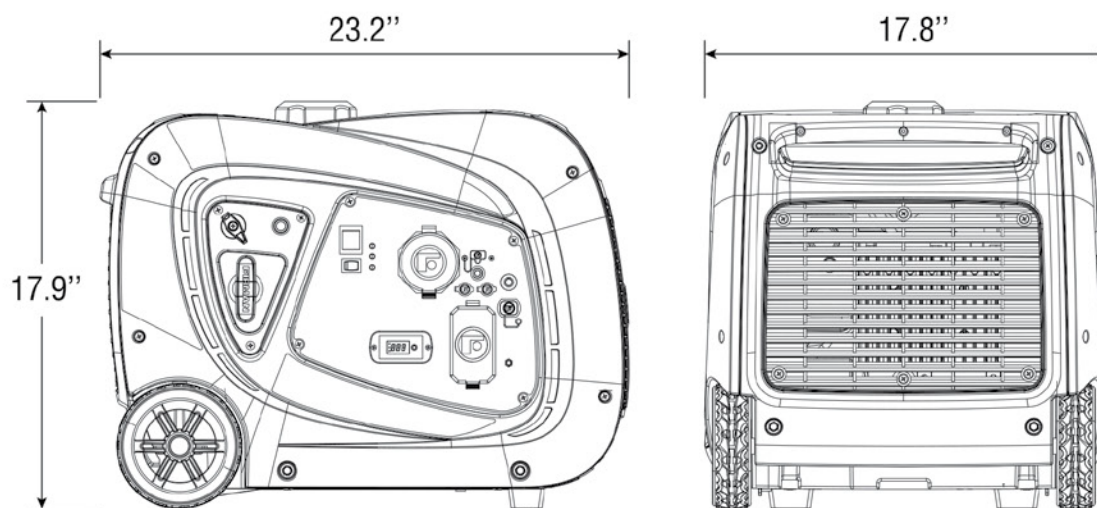
### Whisper series

### Specification

Model /Rev Level	W03081 / 00
UPC	840876130810
50 States	Yes
California (CARB)	Yes
Canada (CETL)	Yes
Running Watts	3000
Starting Watts	3300
Frequency (Hz)	60
Engine Displacement (cc)	171
Engine Type	OHV
Starting System	Recoil
Cylinder	Single
Fuel Type	Gasoline
Low Oil Shutdown	Yes
Cast Iron Sleeve	Yes
Brushed or Brushless Alternator	Brushless
Inverter	Yes
Fuel Tank Volume (Gal)	1.8
Fuel Gauge	No
Runtime @25% load (hours)	9.0
USDA FS Certified Spark Arrester	Yes



Battery	No
Accessories	Oil Bottle-Funnel-Tool Kit -Battery Charger Cable
Warranty Residential / Commercial (years)	3 Yrs Ltd / 90 Days
Carton LxWxH (inch)	26.6 x 18.9 x 19.3
Unit Weight (lbs)	84
Shipping Weight (lbs)	94



Whisper

3000 Watt

Recoil

EPA/CARB/cETL

# W03082

## 3000 Watts Generator

# FIRMAN®

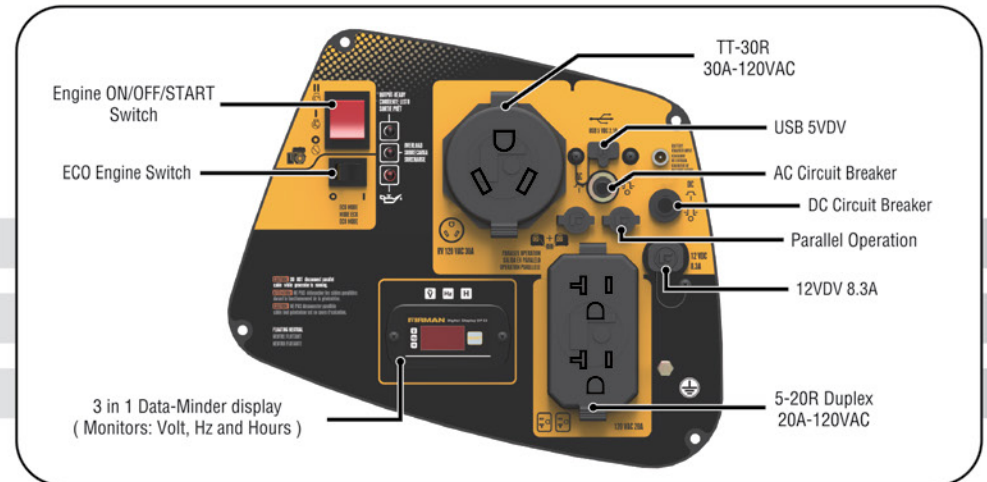
Whisper series

Running / Starting Watts: 3000/3300



### Features & Benefits

- Fuel Economy Mode - reduces fuel consumption and promotes engine efficiency.
- The FIRMAN OHV electric start engine ( Max-Pro Series) for longer life/higher performance/lower maintenance.
- Cast iron sleeved engine for long durability with automatic low oil shutdown protection.
- Largest tank in industry with extended run-time (less re-fueling).
- Quiet muffler (Whisper Series) with USDA FS certified spark arrester.
- Conveniently located multi-featured control panel with FIRMAN custom designed outlet cover protecting outlets from dirt, dust and debris.
- 3 in 1 Data-Minder monitors running hours, voltage and frequency in conjunction.
- Bonus accessories including engine oil, oil funnel, tool kit and battery charge cable.
- Included battery for your convenience.
- 3 year warranty: best in industry.





# W03082

## 3000 Watts Generator

# FIRMAN®

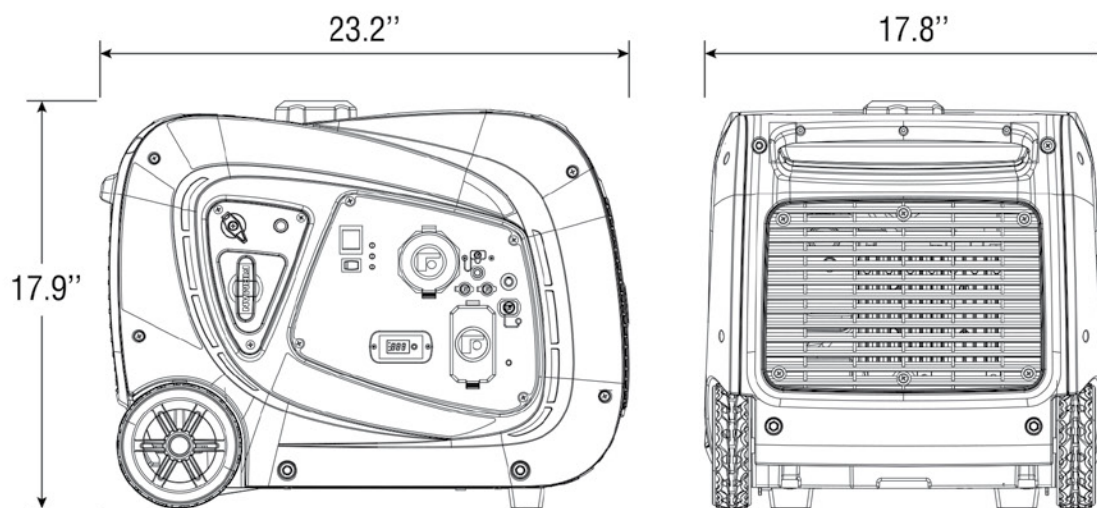
### Whisper series

### Specification

Model /Rev Level	W03082 / 00
UPC	840876130827
50 States	Yes
California (CARB)	Yes
Canada (CETL)	Yes
Running Watts	3000
Starting Watts	3300
Frequency (Hz)	60
Engine Displacement (cc)	171
Engine Type	OHV
Starting System	Recoil / Electric
Cylinder	Single
Fuel Type	Gasoline
Low Oil Shutdown	Yes
Cast Iron Sleeve	Yes
Brushed or Brushless Alternator	Brushless
Inverter	Yes
Fuel Tank Volume (Gal)	1.8
Fuel Gauge	No
Runtime @25% load (hours)	9.0
USDA FS Certified Spark Arrester	Yes



Battery	Yes
Accessories	Oil Bottle-Funnel-Tool Kit -Battery Charger Cable
Warranty Residential / Commercial (years)	3 Yrs Ltd / 90 Days
Carton LxWxH (inch)	26.6 x 18.9 x 19.3
Unit Weight (lbs)	90
Shipping Weight (lbs)	105



Whisper

3000 Watt

Recoil/Electric

EPA/CARB/cETL

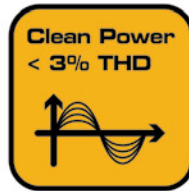
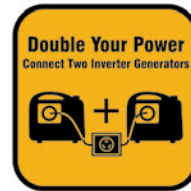
# W03083

## 3000 Watts Generator

# FIRMAN®

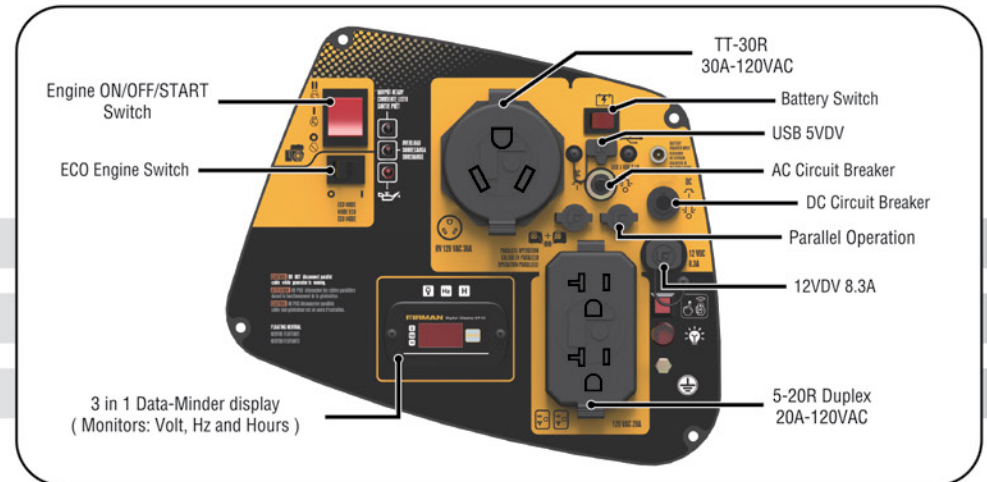
Whisper series

Running / Starting Watts: 3000/3300



### Features & Benefits

- Fuel Economy Mode - reduces fuel consumption and promotes engine efficiency.
- The FIRMAN OHV electric start engine ( Max-Pro Series) for longer life/higher performance/lower maintenance.
- Cast iron sleeved engine for long durability with automatic low oil shutdown protection.
- Largest tank in industry with extended run-time (less re-fueling).
- Quiet muffler (Whisper Series) with USDA FS certified spark arrester.
- Conveniently located multi-featured control panel with FIRMAN custom designed outlet cover protecting outlets from dirt, dust and debris.
- 3 in 1 Data-Minder monitors running hours, voltage and frequency in conjunction.
- Bonus accessories including engine oil, oil funnel, tool kit and battery charge cable.
- Included battery for your convenience.
- 3 year warranty: best in industry.



# W03083

## 3000 Watts Generator

# FIRMAN®

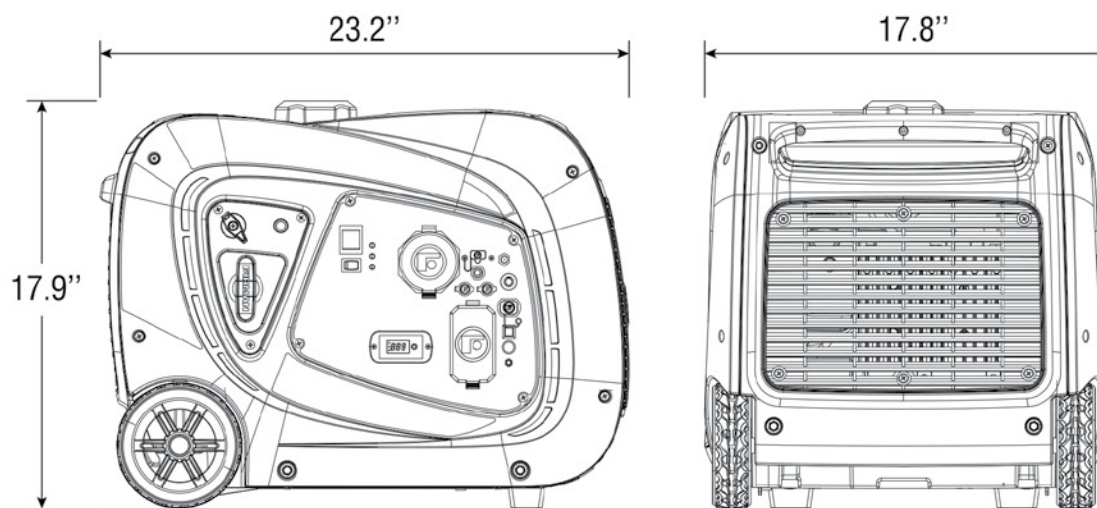
### Whisper series

### Specification

Model /Rev Level	W03083 / 00
UPC	840876130834
50 States	Yes
California (CARB)	Yes
Canada (CETL)	Yes
Running Watts	3000
Starting Watts	3300
Frequency (Hz)	60
Engine Displacement (cc)	171
Engine Type	OHV
Starting System	Recoil/Electric/Remote
Cylinder	Single
Fuel Type	Gasoline
Low Oil Shutdown	Yes
Cast Iron Sleeve	Yes
Brushed or Brushless Alternator	Brushless
Inverter	Yes
Fuel Tank Volume (Gal)	1.8
Fuel Gauge	No
Runtime @25% load (hours)	9.0
USDA FS Certified Spark Arrester	Yes



Battery	Yes
Accessories	Oil Bottle-Funnel-Tool Kit -Battery Charger Cable
Warranty Residential / Commercial (years)	3 Yrs Ltd / 90 Days
Carton LxWxH (inch)	26.6 x 18.9 x 19.3
Unit Weight (lbs)	90
Shipping Weight (lbs)	105



Whisper

3000 Watt

Recoil/Electric/Remote

EPA/CARB/cETL

# Hybrid Series



FIRMAN Hybrid Dual Fuel Generators – the new standard in power generation and exceptional performance. Our Dual Fuel generators allow users the option to run off traditional gas or liquid propane for 20 hours of combined run time (with a common 20 lb LP tank) and our largest in industry gas tanks, 5 Gal on the FIRMAN 3-4.9 KW's and 8 Gals on our 5KW and larger. Experience the power and performance of FIRMAN generators, whether you're a Crossroads Camper, Weekend Warrior, Professional Contractor, or just preparing for the next storm or the next "Zombie Apocalypse". Our Hybrid "Dual Fuel" models range from 3000W's to 10,000W's so you can accommodate any of your outdoor power needs and have fuel options that will allow you to accomplish your mission when and where you need.

In the areas of ease of use and service FIRMAN has delivered in a big way! FIRMAN Hybrid Series Dual Fuels include everything you need to get started right in the box, including a detailed owner's manual, funnel, start-up oil, tool kit, wheel kit, battery for our electric start units, 5.5 ft propane hose, and quick-start guide. We've backed up every FIRMAN Hybrid Series with our legendary 3 year warranty as well as technical support provided by our highly skilled technicians in Phoenix, AZ.

**NEW STANDARD IN  
POWER GENERATION AND  
EXCEPTIONAL PERFORMANCE**

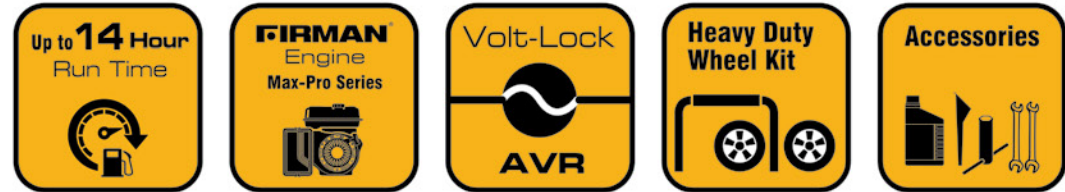


# H03651

Hybrid Series

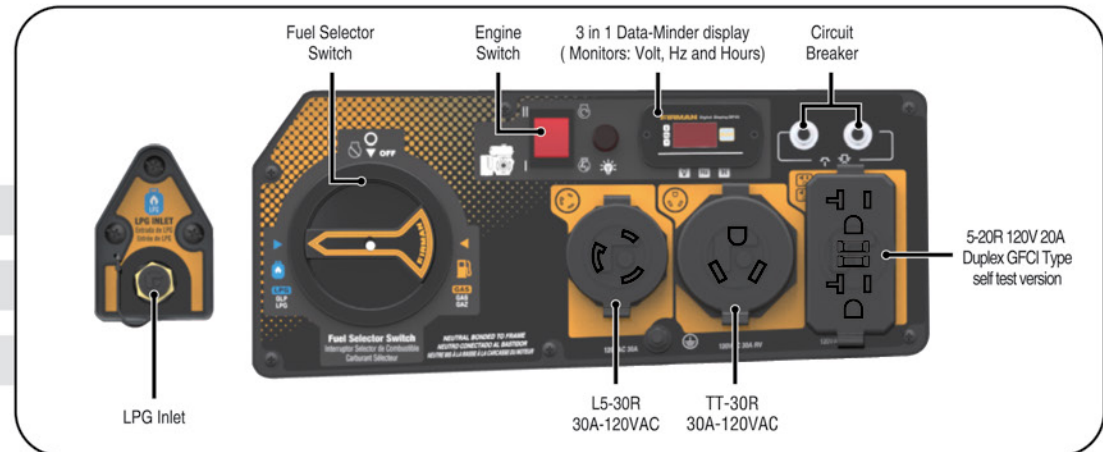


**Running/Starting Watts: 3300/4100**  
 **Running/Starting Watts: 3650/4550**



## Features & Benefits

- Runs on gasoline or propane fuel, giving you flexibility while out on the road or during an emergency.
- Extended propane regulator/hose (5.5ft) for convenience when running off of a larger propane tank.
- The FIRMAN OHV engine (Max-Pro Series) for longer life/higher performance/lower maintenance.
- FIRMAN newly designed AVR (Automatic Voltage Regulator) VL (Volt-Lock) Series.
- Cast iron sleeved engine for long durability with automatic low oil shutdown protection.
- Largest tank in the industry with extended run-time (less re-fueling) with integrated fuel gauge for convenience.
- Quiet muffler (Whisper Series) with USDA FS certified spark arrester.
- Conveniently located multi-featured control panel with FIRMAN custom designed outlet cover protecting outlets from dirt, dust and debris.
- 3 in 1 Data-Minder monitors running hours, voltage and frequency.
- Wheel Kit with heavy duty and over size flat free wheels with high leverage single folding handle with grip for easy maneuver.
- Durable compact roll-cage frame design with 1.0" steel tubing.
- Bonus accessories including engine oil, oil funnel and tool kit.
- Included battery for your convenience.
- 3 year warranty: best in industry.





# H03651

## Hybrid Series

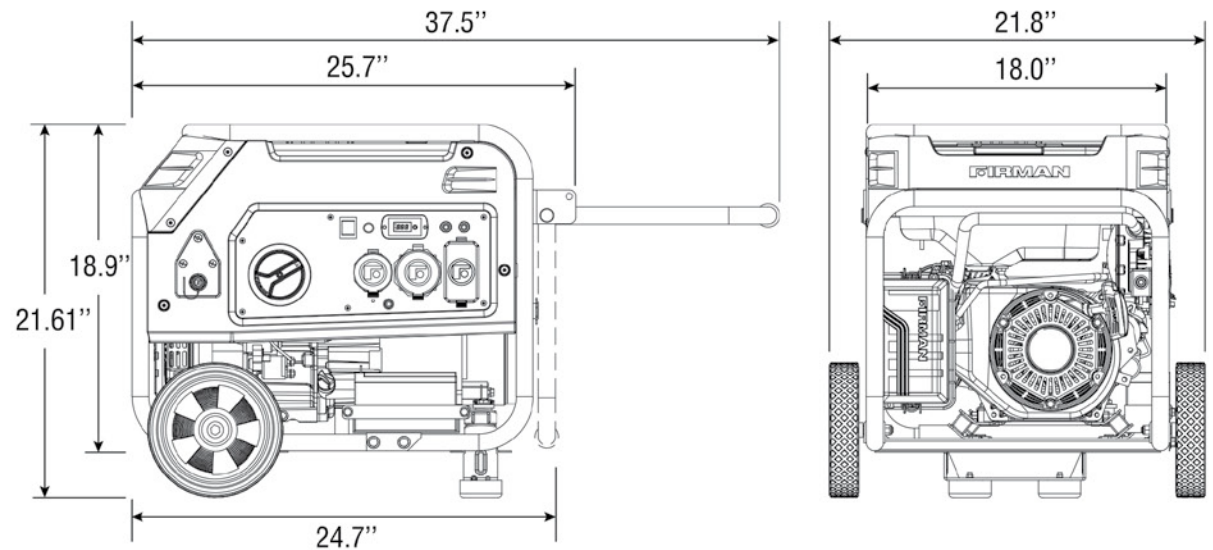


### Specification

Model /Rev Level	P03651 / 00
UPC	840876136515
49 States	Yes
California (CARB)	Yes
Canada (CETL)	Yes
LPG Running Watts	3300
LPG Starting Watts	4100
GAS Running Watts	3650
GAS Starting Watts	4550
Frequency (Hz)	60
Engine Displacement (cc)	208
Engine Type	OHV
Starting System	Recoil/Electric
Cylinder	Single
Fuel Type	Gasoline/LPG
Low Oil Shutdown	Yes
Cast Iron Sleeve	Yes
Brushed or Brushless Alternator	Brushed
Automatic Voltage Regulator (AVR)	Yes
Fuel Tank Volume (Gal)	5.0
Fuel Gauge	Yes
Runtime @50% load (hours)	14.0
USDA FS Certified Spark Arrester	Yes



Handle	Single Folding
Wheel	8.0" Flat Free
Battery	Yes
Accessories	Wheel kit-Oil Bottle Funnel-Tool Kit
Warranty Residential / Commercial	3 years / 90 days
Carton LxWxH (inch)	27.9 x 18.1 x 20.5
Unit Weight (lbs)	119.5
Shipping Weight (lbs)	135



Hybrid

3650 Watt

Recoil/Electric

EPA/CARB/cETL



# H03652

Hybrid Series

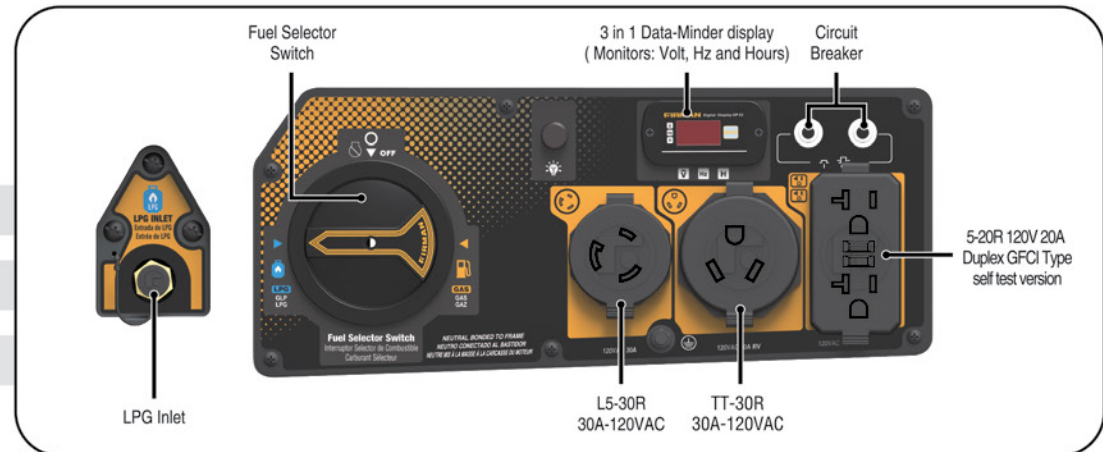


**Running/Starting Watts: 3300/4100**  
 **Running/Starting Watts: 3650/4550**



## Features & Benefits

- Runs on gasoline or propane fuel, giving you flexibility while out on the road or during an emergency.
- Extended propane regulator/hose (5.5ft) for convenience when running off of a larger propane tank.
- The FIRMAN OHV engine (Max-Pro Series) for longer life/higher performance/lower maintenance.
- FIRMAN newly designed AVR (Automatic Voltage Regulator) VL (Volt-Lock) Series.
- Cast iron sleeved engine for long durability with automatic low oil shutdown protection.
- Largest tank in the industry with extended run-time (less re-fueling) with integrated fuel gauge for convenience.
- Quiet muffler (Whisper Series) with USDA FS certified spark arrester.
- Conveniently located multi-featured control panel with FIRMAN custom designed outlet cover protecting outlets from dirt, dust and debris.
- 3 in 1 Data-Minder monitors running hours, voltage and frequency.
- Wheel Kit with heavy duty and over size flat free wheels with high leverage single folding handle with grip for easy maneuver.
- Durable compact roll-cage frame design with 1.0" steel tubing.
- Bonus accessories including engine oil, oil funnel and tool kit.
- 3 year warranty: best in industry.





# H03652

## Hybrid Series

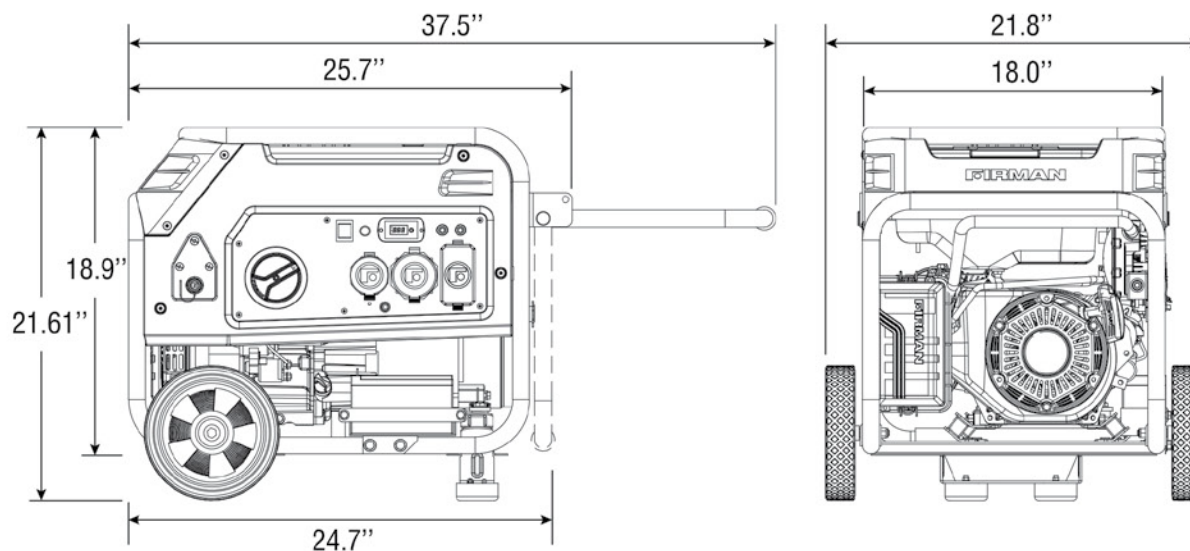


### Specification

Model /Rev Level	P03652 / 00
UPC	840876136522
49 States	Yes
California (CARB)	Yes
Canada (CETL)	Yes
LPG Running Watts	3300
LPG Starting Watts	4100
GAS Running Watts	3650
GAS Starting Watts	4550
Frequency (Hz)	60
Engine Displacement (cc)	208
Engine Type	OHV
Starting System	Recoil
Cylinder	Single
Fuel Type	Gasoline/LPG
Low Oil Shutdown	Yes
Cast Iron Sleeve	Yes
Brushed or Brushless Alternator	Brushed
Automatic Voltage Regulator (AVR)	Yes
Fuel Tank Volume (Gal)	5.0
Fuel Gauge	Yes
Runtime @50% load (hours)	14.0
USDA FS Certified Spark Arrester	Yes



Handle	Single Folding
Wheel	8.0" Flat Free
Battery	No
Accessories	Wheel kit-Oil Bottle Funnel-Tool Kit
Warranty Residential / Commercial	3 years / 90 days
Carton LxWxH (inch)	27.9 x 18.1 x 20.5
Unit Weight (lbs)	112
Shipping Weight (lbs)	128



Hybrid

3650 Watt

Recoil

EPA/CARB/cETL



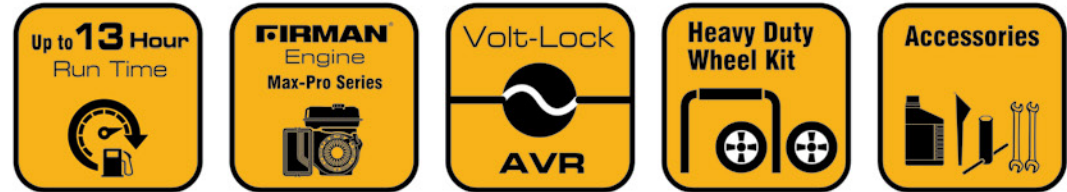


# H05751

Hybrid Series

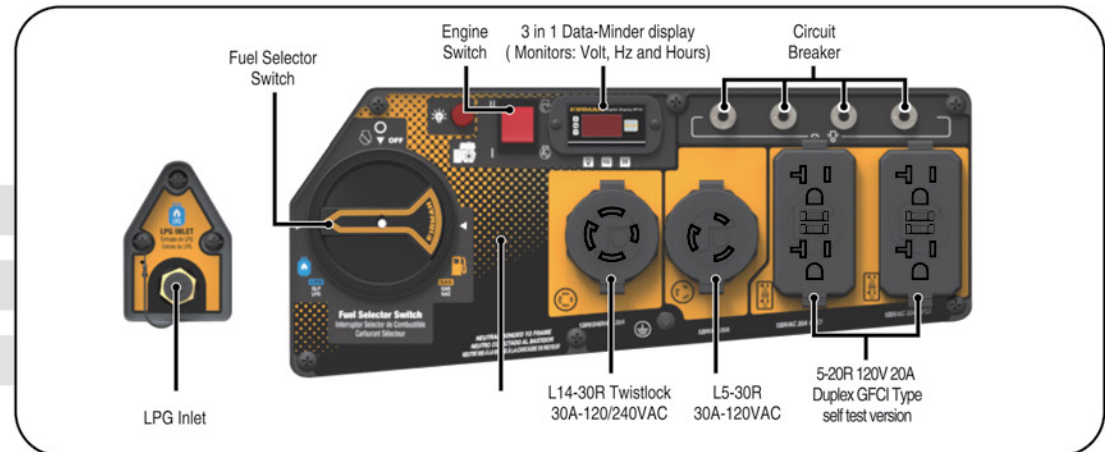


**Running/Starting Watts: 5700/7125**  
 **Running/Starting Watts: 5700/7125**



## Features & Benefits

- Runs on gasoline or propane fuel, giving you flexibility while out on the road or during an emergency.
- Extended propane regulator/hose (5.5ft) for convenience when running off of a larger propane tank.
- The FIRMAN OHV engine (Max-Pro Series) for longer life/higher performance/lower maintenance.
- FIRMAN newly designed AVR (Automatic Voltage Regulator) VL (Volt-Lock) Series.
- Cast iron sleeved engine for long durability with automatic low oil shutdown protection.
- Largest tank in the industry with extended run-time (less re-fueling) with integrated fuel gauge for convenience.
- Quiet muffler (Whisper Series) with USDA FS certified spark arrester.
- Conveniently located multi-featured control panel with FIRMAN custom designed outlet cover protecting outlets from dirt, dust and debris.
- 3 in 1 Data-Minder monitors running hours, voltage and frequency.
- Wheel Kit with heavy duty and over size flat free wheels with high leverage single folding handle with grip for easy maneuver.
- Durable compact roll-cage frame design with 1.2" steel tubing.
- Bonus accessories including engine oil, oil funnel and tool kit.
- Included battery for your convenience.
- 3 year warranty: best in industry.





# H05751

## Hybrid Series

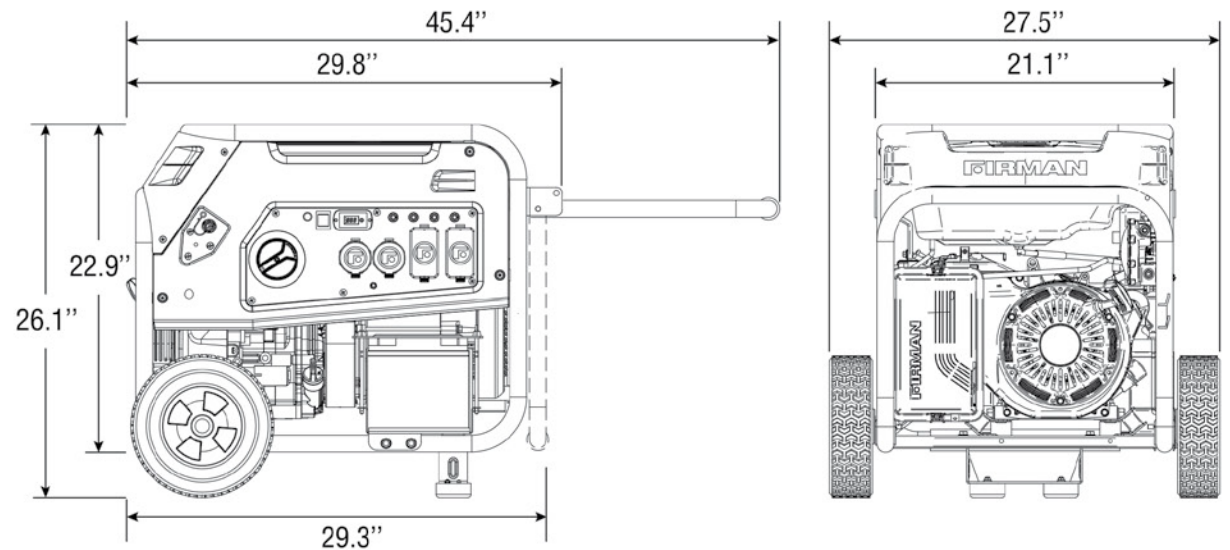


### Specification

Model /Rev Level	P05751 / 00
UPC	840876157510
49 States	Yes
California (CARB)	Yes
Canada (CETL)	No
LPG Running Watts	5700
LPG Starting Watts	7125
GAS Running Watts	5700
GAS Starting Watts	7125
Frequency (Hz)	60
Engine Displacement (cc)	439
Engine Type	OHV
Starting System	Recoil/Electric
Cylinder	Single
Fuel Type	Gasoline/LPG
Low Oil Shutdown	Yes
Cast Iron Sleeve	Yes
Brushed or Brushless Alternator	Brushed
Automatic Voltage Regulator (AVR)	Yes
Fuel Tank Volume (Gal)	8.0
Fuel Gauge	Yes
Runtime @50% load (hours)	13.0
USDA FS Certified Spark Arrester	Yes



Handle	Single Folding
Wheel	10.0" Flat Free
Battery	Yes
Accessories	Wheel kit-Oil Bottle Funnel-Tool Kit
Warranty Residential / Commercial	3 years / 90 days
Carton LxWxH (inch)	32.1 x 22.2 x 24.4
Unit Weight (lbs)	196
Shipping Weight (lbs)	212



Hybrid

5700 Watt

Recoil/Electric

EPA/CARB



# H05752

Hybrid Series



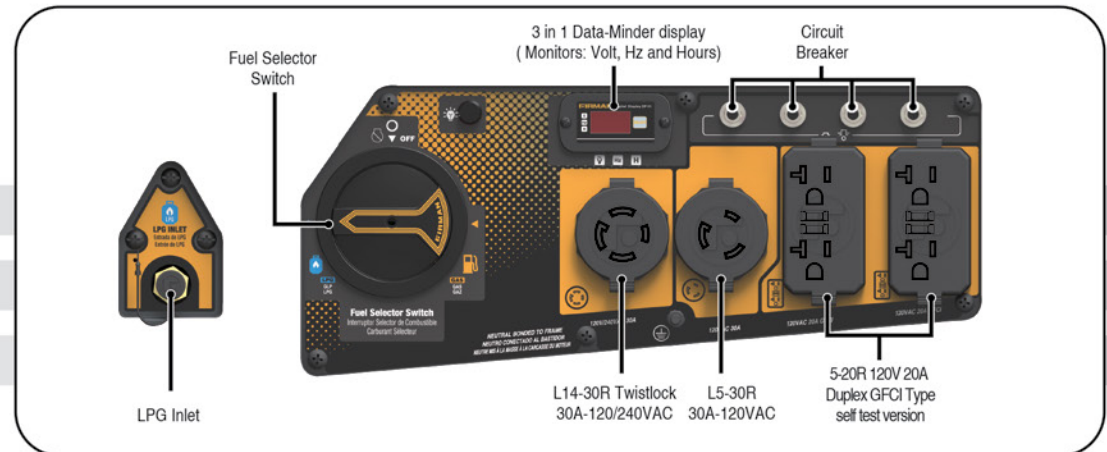
**Running/Starting Watts: 5700/7125**  
 **Running/Starting Watts: 5700/7125**



- Up to 13 Hour Run Time**
- FIRMAN Engine Max-Pro Series**
- Volt-Lock AVR**
- Heavy Duty Wheel Kit**
- Accessories**

## Features & Benefits

- Runs on gasoline or propane fuel, giving you flexibility while out on the road or during an emergency.
- Extended propane regulator/hose (5.5ft) for convenience when running off of a larger propane tank.
- The FIRMAN OHV engine (Max-Pro Series) for longer life/higher performance/lower maintenance.
- FIRMAN newly designed AVR (Automatic Voltage Regulator) VL (Volt-Lock) Series.
- Cast iron sleeved engine for long durability with automatic low oil shutdown protection.
- Largest tank in the industry with extended run-time (less re-fueling) with integrated fuel gauge for convenience.
- Quiet muffler (Whisper Series) with USDA FS certified spark arrester.
- Conveniently located multi-featured control panel with FIRMAN custom designed outlet cover protecting outlets from dirt, dust and debris.
- 3 in 1 Data-Minder monitors running hours, voltage and frequency.
- Wheel Kit with heavy duty and over size flat free wheels with high leverage single folding handle with grip for easy maneuver.
- Durable compact roll-cage frame design with 1.2" steel tubing.
- Bonus accessories including engine oil, oil funnel and tool kit.
- 3 year warranty: best in industry.





# H05752

## 5700 Watts Generator



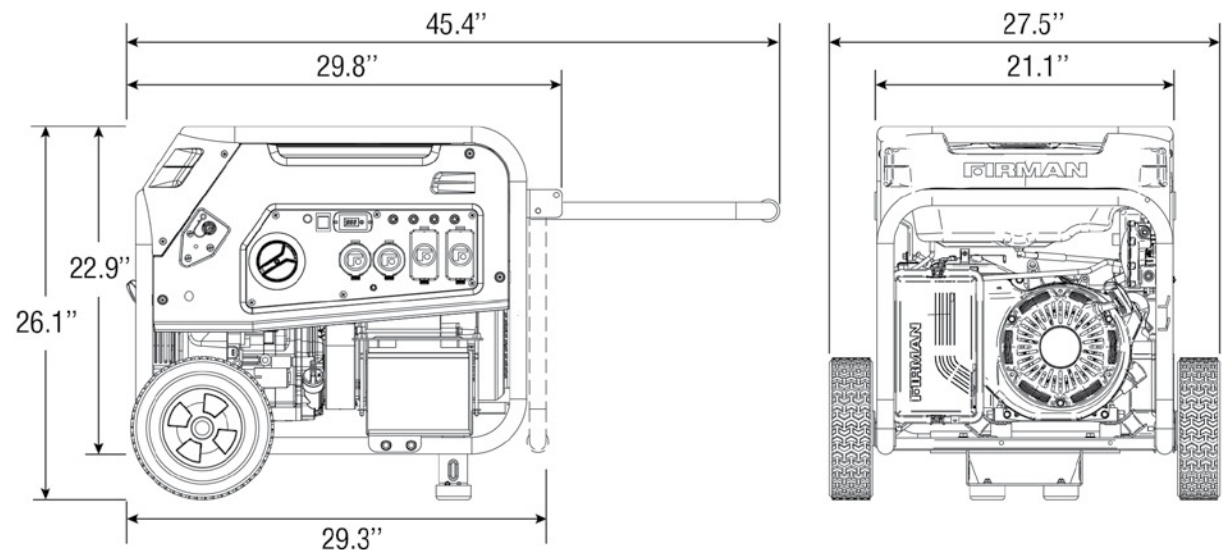
### Hybrid Series

### Specification

Model /Rev Level	P05752 / 00
UPC	840876157527
49 States	Yes
California (CARB)	Yes
Canada (CETL)	No
LPG Running Watts	5700
LPG Starting Watts	7125
GAS Running Watts	5700
GAS Starting Watts	7125
Frequency (Hz)	60
Engine Displacement (cc)	439
Engine Type	OHV
Starting System	Recoil
Cylinder	Single
Fuel Type	Gasoline/LPG
Low Oil Shutdown	Yes
Cast Iron Sleeve	Yes
Brushed or Brushless Alternator	Brushed
Automatic Voltage Regulator (AVR)	Yes
Fuel Tank Volume (Gal)	8.0
Fuel Gauge	Yes
Runtime @50% load (hours)	13.0
USDA FS Certified Spark Arrester	Yes



Handle	Single Folding
Wheel	10.0" Flat Free
Battery	No
Accessories	Wheel kit-Oil Bottle Funnel-Tool Kit
Warranty Residential / Commercial	3 years / 90 days
Carton LxWxH (inch)	32.1 x 22.2 x 24.4
Unit Weight (lbs)	176
Shipping Weight (lbs)	195



Hybrid

5700 Watt

Recoil

EPA/CARB



# H05753

Hybrid Series

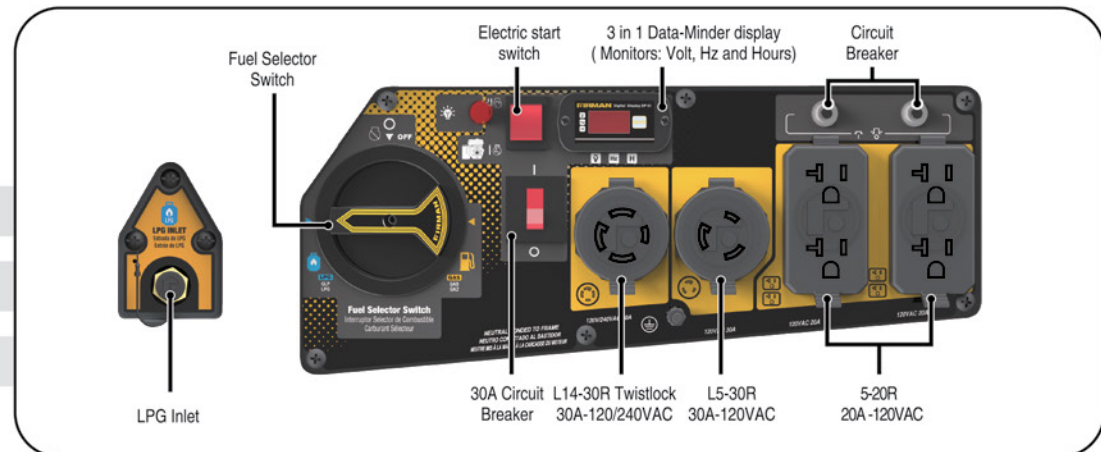
# FIRMAN®

Running/Starting Watts: 5700/7125  
 Running/Starting Watts: 5700/7125



## Features & Benefits

- Runs on gasoline or propane fuel, giving you flexibility while out on the road or during an emergency.
- Extended propane regulator/hose (5.5ft) for convenience when running off of a larger propane tank.
- The FIRMAN OHV engine (Max-Pro Series) for longer life/higher performance/lower maintenance.
- FIRMAN newly designed AVR (Automatic Voltage Regulator) VL (Volt-Lock) Series.
- Cast iron sleeved engine for long durability with automatic low oil shutdown protection.
- Largest tank in the industry with extended run-time (less re-fueling) with integrated fuel gauge for convenience.
- Quiet muffler (Whisper Series) with USDA FS certified spark arrester.
- Conveniently located multi-featured control panel with FIRMAN custom designed outlet cover protecting outlets from dirt, dust and debris.
- 3 in 1 Data-Minder monitors running hours, voltage and frequency.
- Wheel Kit with heavy duty and over size flat free wheels with high leverage single folding handle with grip for easy maneuver.
- Durable compact roll-cage frame design with 1.2" steel tubing.
- Bonus accessories including engine oil, oil funnel and tool kit.
- Included battery for your convenience.
- 3 year warranty: best in industry.





# H05753

## Hybrid Series

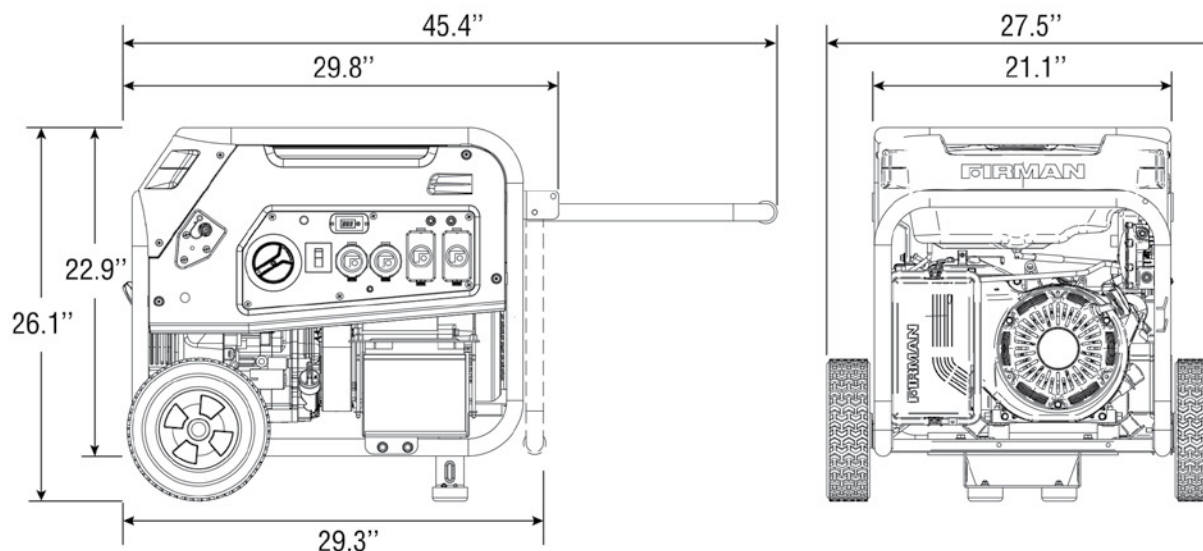


### Specification

Model /Rev Level	P05753 / 00
UPC	840876157534
49 States	Yes
California (CARB)	No
Canada (CETL)	Yes
LPG Running Watts	5700
LPG Starting Watts	7125
GAS Running Watts	5700
GAS Starting Watts	7125
Frequency (Hz)	60
Engine Displacement (cc)	439
Engine Type	OHV
Starting System	Recoil/Electric
Cylinder	Single
Fuel Type	Gasoline/LPG
Low Oil Shutdown	Yes
Cast Iron Sleeve	Yes
Brushed or Brushless Alternator	Brushed
Automatic Voltage Regulator (AVR)	Yes
Fuel Tank Volume (Gal)	8.0
Fuel Gauge	Yes
Runtime @50% load (hours)	13.0
USDA FS Certified Spark Arrester	Yes



Handle	Single Folding
Wheel	10.0" Flat Free
Battery	Yes
Accessories	Wheel kit-Oil Bottle Funnel-Tool Kit
Warranty Residential / Commercial	3 years / 90 days
Carton LxWxH (inch)	32.1 x 22.2 x 24.4
Unit Weight (lbs)	196
Shipping Weight (lbs)	212



Hybrid

5700 Watt

Recoil/Electric

EPA/cETL

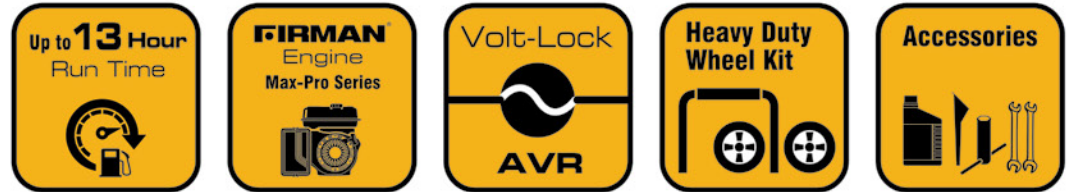


# H05754

Hybrid Series

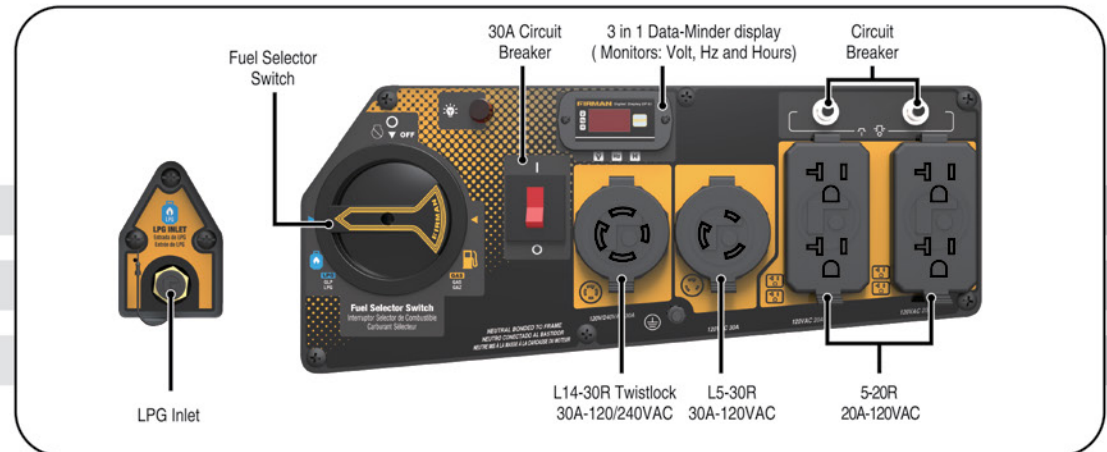


**Running/Starting Watts: 5700/7125**  
 **Running/Starting Watts: 5700/7125**



## Features & Benefits

- Runs on gasoline or propane fuel, giving you flexibility while out on the road or during an emergency.
- Extended propane regulator/hose (5.5ft) for convenience when running off of a larger propane tank.
- The FIRMAN OHV engine (Max-Pro Series) for longer life/higher performance/lower maintenance.
- FIRMAN newly designed AVR (Automatic Voltage Regulator) VL (Volt-Lock) Series.
- Cast iron sleeved engine for long durability with automatic low oil shutdown protection.
- Largest tank in the industry with extended run-time (less re-fueling) with integrated fuel gauge for convenience.
- Quiet muffler (Whisper Series) with USDA FS certified spark arrester.
- Conveniently located multi-featured control panel with FIRMAN custom designed outlet cover protecting outlets from dirt, dust and debris.
- 3 in 1 Data-Minder monitors running hours, voltage and frequency.
- Wheel Kit with heavy duty and over size flat free wheels with high leverage single folding handle with grip for easy maneuver.
- Durable compact roll-cage frame design with 1.2" steel tubing.
- Bonus accessories including engine oil, oil funnel and tool kit.
- 3 year warranty: best in industry.





# H05754

## 5700 Watts Generator



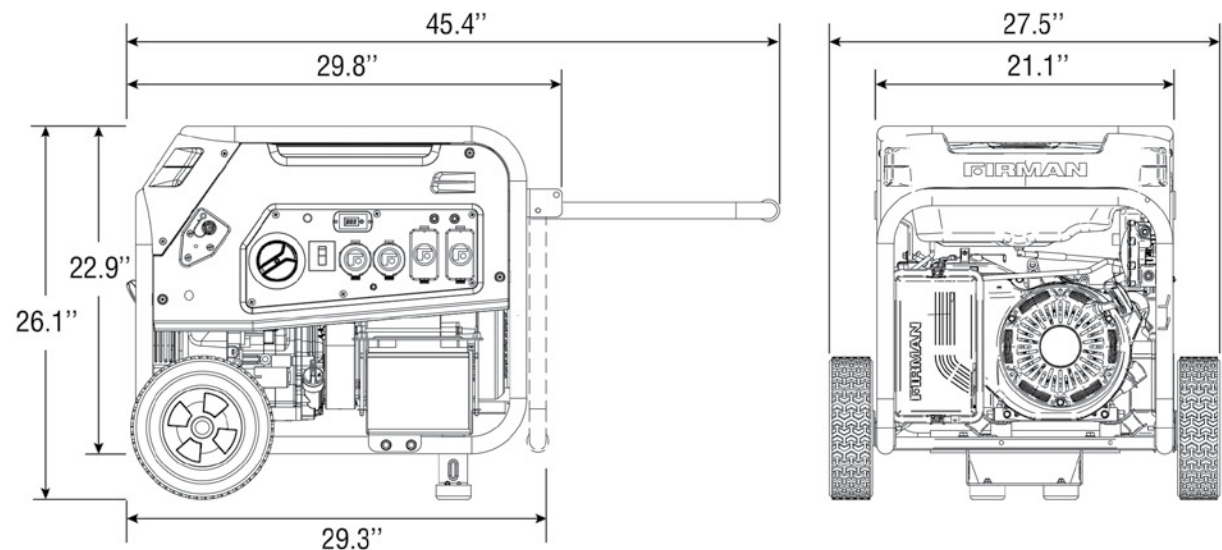
### Hybrid Series

### Specification

Model /Rev Level	P05754 / 00
UPC	840876157541
49 States	Yes
California (CARB)	No
Canada (CETL)	Yes
LPG Running Watts	5700
LPG Starting Watts	7125
GAS Running Watts	5700
GAS Starting Watts	7125
Frequency (Hz)	60
Engine Displacement (cc)	439
Engine Type	OHV
Starting System	Recoil
Cylinder	Single
Fuel Type	Gasoline/LPG
Low Oil Shutdown	Yes
Cast Iron Sleeve	Yes
Brushed or Brushless Alternator	Brushed
Automatic Voltage Regulator (AVR)	Yes
Fuel Tank Volume (Gal)	8.0
Fuel Gauge	Yes
Runtime @50% load (hours)	13.0
USDA FS Certified Spark Arrester	Yes



Handle	Single Folding
Wheel	10.0" Flat Free
Battery	No
Accessories	Wheel kit-Oil Bottle Funnel-Tool Kit
Warranty Residential / Commercial	3 years / 90 days
Carton LxWxH (inch)	32.1 x 22.2 x 24.4
Unit Weight (lbs)	176
Shipping Weight (lbs)	195



Hybrid

5700 Watt

Recoil

EPA/cETL





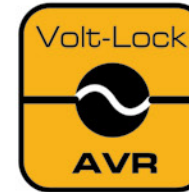
# H08051

Hybrid Series



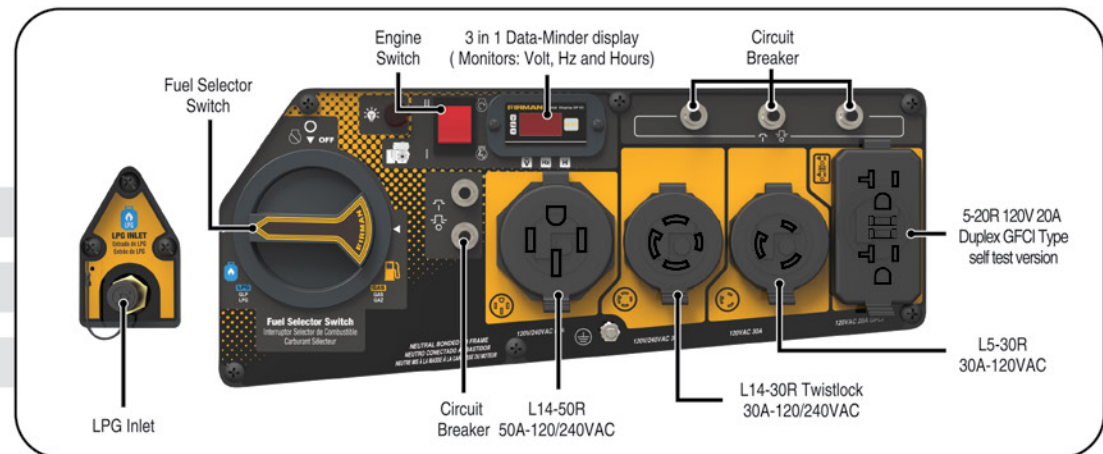
Running/Starting Watts: 7250/9050

Running/Starting Watts: 8000/10000



## Features & Benefits

- Runs on gasoline or propane fuel, giving you flexibility while out on the road or during an emergency.
- Extended propane regulator/hose (5.5ft) for convenience when running off of a larger propane tank.
- The FIRMAN OHV engine (Max-Pro Series) for longer life/higher performance/lower maintenance.
- FIRMAN newly designed AVR (Automatic Voltage Regulator) VL (Volt-Lock) Series.
- Cast iron sleeved engine for long durability with automatic low oil shutdown protection.
- Largest tank in the industry with extended run-time (less re-fueling) with integrated fuel gauge for convenience.
- Quiet muffler (Whisper Series) with USDA FS certified spark arrester.
- Conveniently located multi-featured control panel with FIRMAN custom designed outlet cover protecting outlets from dirt, dust and debris.
- 3 in 1 Data-Minder monitors running hours, voltage and frequency.
- Wheel Kit with heavy duty and over size flat free wheels with high leverage single folding handle with grip for easy maneuver.
- Durable compact roll-cage frame design with 1.2" steel tubing.
- Bonus accessories including engine oil, oil funnel and tool kit.
- Included battery for your convenience.
- 3 year warranty: best in industry.





# H08051

## Hybrid Series

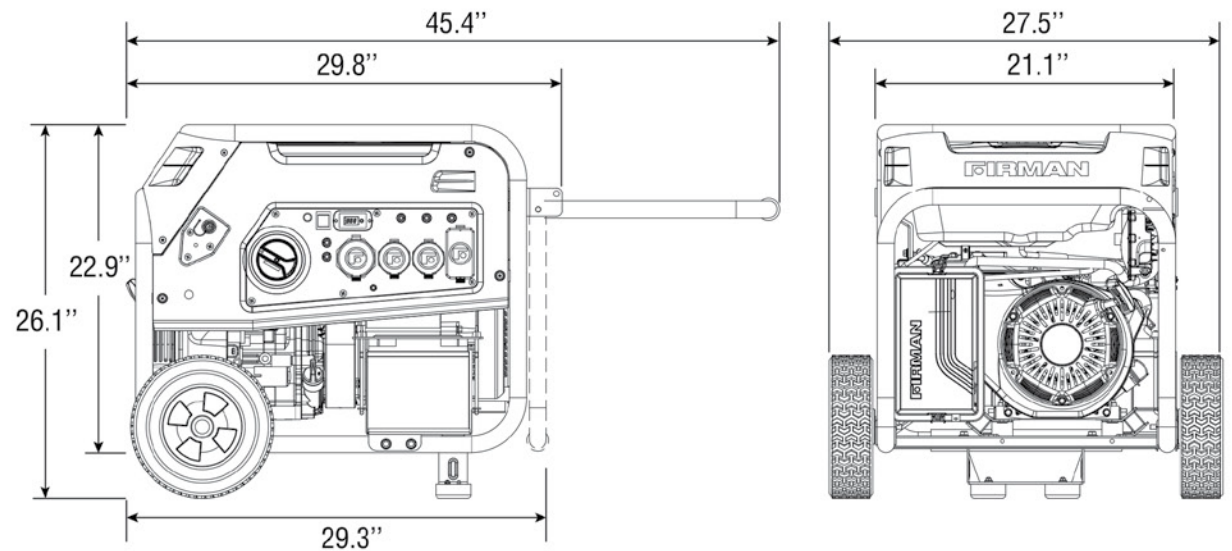


### Specification

Model /Rev Level	P08051 / 00
UPC	840876180518
49 States	Yes
California (CARB)	Yes
Canada (CETL)	No
LPG Running Watts	7250
LPG Starting Watts	9050
GAS Running Watts	8000
GAS Starting Watts	10000
Frequency (Hz)	60
Engine Displacement (cc)	439
Engine Type	OHV
Starting System	Recoil/Electric
Cylinder	Single
Fuel Type	Gasoline/LPG
Low Oil Shutdown	Yes
Cast Iron Sleeve	Yes
Brushed or Brushless Alternator	Brushed
Automatic Voltage Regulator (AVR)	Yes
Fuel Tank Volume (Gal)	8.0
Fuel Gauge	Yes
Runtime @50% load (hours)	12.0
USDA FS Certified Spark Arrester	Yes



Handle	Single Folding
Wheel	10.0" Flat Free
Battery	Yes
Accessories	Wheel kit-Oil Bottle Funnel-Tool Kit
Warranty Residential / Commercial	3 years / 90 days
Carton LxWxH (inch)	32.1 x 22.2 x 24.4
Unit Weight (lbs)	212
Shipping Weight (lbs)	234



Hybrid

8000 Watt

Recoil/Electric

EPA/CARB



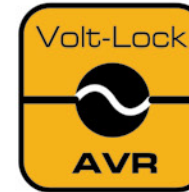
# H08053

Hybrid Series



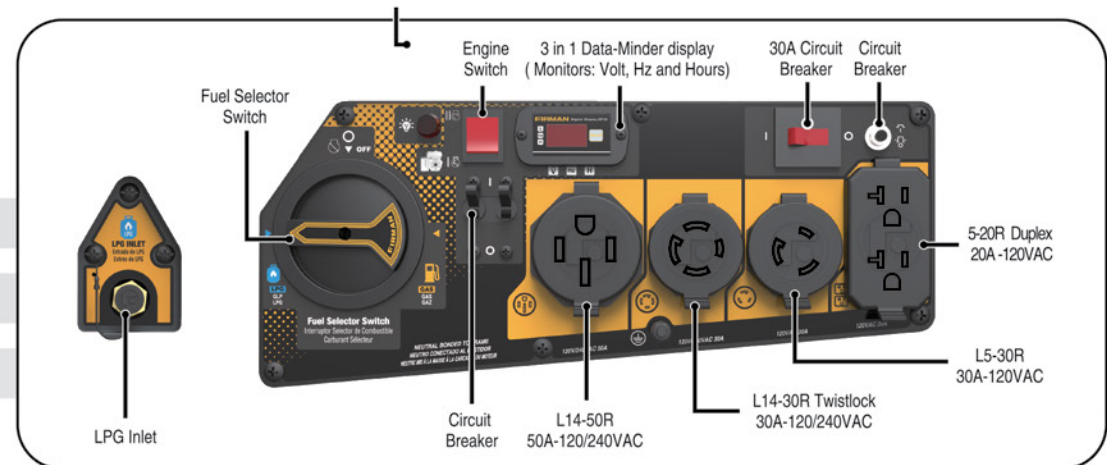
Running/Starting Watts: 7250/9050

Running/Starting Watts: 8000/10000



## Features & Benefits

- Runs on gasoline or propane fuel, giving you flexibility while out on the road or during an emergency.
- Extended propane regulator/hose (5.5ft) for convenience when running off of a larger propane tank.
- The FIRMAN OHV engine (Max-Pro Series) for longer life/higher performance/lower maintenance.
- FIRMAN newly designed AVR (Automatic Voltage Regulator) VL (Volt-Lock) Series.
- Cast iron sleeved engine for long durability with automatic low oil shutdown protection.
- Largest tank in the industry with extended run-time (less re-fueling) with integrated fuel gauge for convenience.
- Quiet muffler (Whisper Series) with USDA FS certified spark arrester.
- Conveniently located multi-featured control panel with FIRMAN custom designed outlet cover protecting outlets from dirt, dust and debris.
- 3 in 1 Data-Minder monitors running hours, voltage and frequency.
- Wheel Kit with heavy duty and over size flat free wheels with high leverage single folding handle with grip for easy maneuver.
- Durable compact roll-cage frame design with 1.2" steel tubing.
- Bonus accessories including engine oil, oil funnel and tool kit.
- Included battery for your convenience.
- 3 year warranty: best in industry.





# H08053

## Hybrid Series

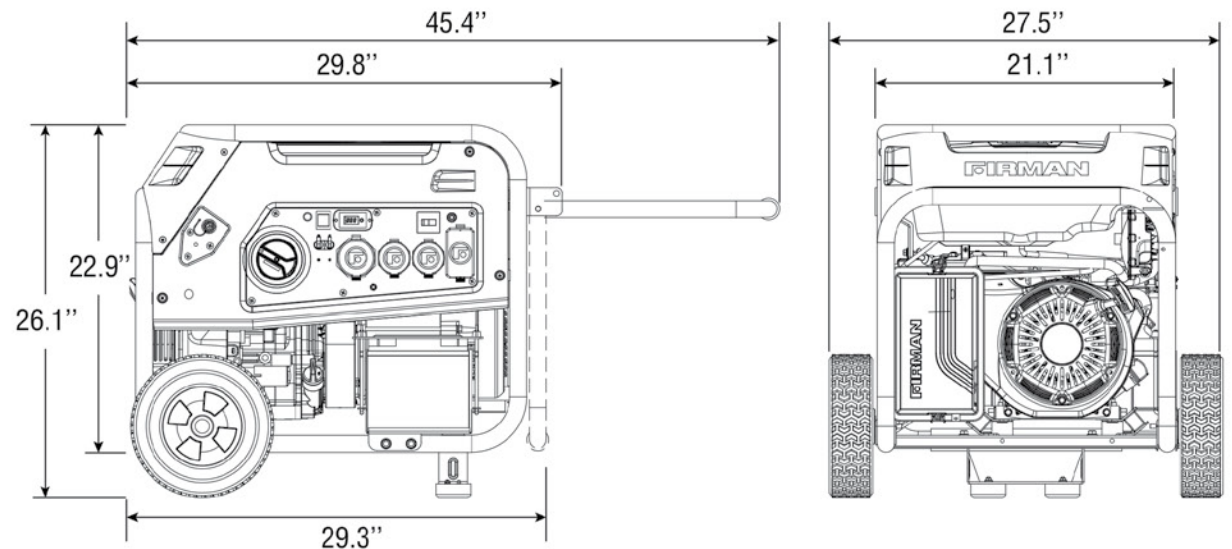


### Specification

Model /Rev Level	P08053 / 00
UPC	840876180532
49 States	Yes
California (CARB)	No
Canada (CETL)	Yes
LPG Running Watts	7250
LPG Starting Watts	9050
GAS Running Watts	8000
GAS Starting Watts	10000
Frequency (Hz)	60
Engine Displacement (cc)	439
Engine Type	OHV
Starting System	Recoil/Electric
Cylinder	Single
Fuel Type	Gasoline/LPG
Low Oil Shutdown	Yes
Cast Iron Sleeve	Yes
Brushed or Brushless Alternator	Brushed
Automatic Voltage Regulator (AVR)	Yes
Fuel Tank Volume (Gal)	8.0
Fuel Gauge	Yes
Runtime @50% load (hours)	12.0
USDA FS Certified Spark Arrester	Yes



Handle	Single Folding
Wheel	10.0" Flat Free
Battery	Yes
Accessories	Wheel kit-Oil Bottle Funnel-Tool Kit
Warranty Residential / Commercial	3 years / 90 days
Carton LxWxH (inch)	32.1 x 22.2 x 24.4
Unit Weight (lbs)	212
Shipping Weight (lbs)	234



Hybrid

8000 Watt

Recoil/Electric

EPA/cETL

# Accessories



Top quality generators deserve top quality accessories. FIRMAN has developed a full line of accessories that include double insulated weather-proof protective covers, a variety of cords to fit any application, wheel kits to enhance mobility and parallel connection kits that allow any two of our inverters to be combined for more power. You can be sure that every FIRMAN accessory has been designed with the same high quality and attention to detail that customers have come to expect from FIRMAN Power Equipment.

**TOP QUALITY GENERATORS  
DESERVE TOP QUALITY  
ACCESSORIES**

# 1002

## Medium Generator Cover

# FIRMAN®

### Accessories



### Features & Benefits

- Fits the Medium Wattage Generators 3000 – 4900 Watts or up to 25.4" X 18.3" X 19.5"
- Double insulated
- Durable exterior finish built to last for years
- Easy to install
- Powerful, durable pull cord to keep your cover secure even in windy conditions
- FIRMAN logo printed in Bold FIRMAN Gold across front
- 120 day warranty

Material	PEVA
Carton LxWxH (inch)	11.4"x6.9"x4"
Warranty Residential / Commercial (days)	120/90
Unit Weight (lbs)	1.5
Model No.	1002
UPC	840876100400

# 1003

## Generator Wheel Kit

# FIRMAN®

### Accessories



### Features & Benefits

- Fits the Medium Wattage Generators 3000 – 4900 Watts
- Allows instant portability
- Two 8.0" Never-Flat wheels
- Single Grip Fold-away handle
- Support leg with vibration reduction mounts
- Easy installation
- 120 day warranty

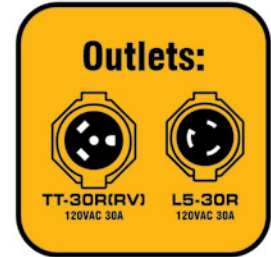
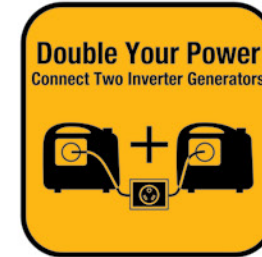
Carton LxWxH (inch)	17.7"x10.9"x3.2"
Warranty Residential / Commercial (days)	120/90
Unit Weight (lbs)	6.17
Model No.	1003
UPC	840876100394

# 1005

## Parallel Kit

# FIRMAN®

## Accessories



### Features & Benefits

- Connects two FIRMAN Inverter generators together to double or triple your power!
- Combine any 2 FIRMAN Inverters from our FIRMAN Inverter Family, 2100's, 3300's – mix and match as you need and/or desire
- Outlet covers to protect the outlets from dust and debris
- LED panel for improved visibility anytime, anywhere.
- Built in compartment for parallel cords for easy storage as show in below picture
- Small, portable design
- Easy to operate
- 120 day warranty

Outlets	TT-30R 120V – 30A, L5-30R 120V – 30A
Carton LxWxH (inch)	10.2"x6.2"x9.0"
Warranty Residential / Commercial (days)	120/90
Unit Weight (lbs)	3.97
Model No.	1005
UPC	840876100417



# 1006

## Small Generator Cover

# FIRMAN®

### Accessories



### Features & Benefits

- Fits the Small Wattage Generators 1000 - 2000 Watts or up to 17.5" X 14.1" X 15.1"
- Double insulated
- Durable exterior finish built to last for years
- Easy to install
- Powerful, durable pull cord to keep your cover secure even in windy conditions
- FIRMAN logo printed in Bold FIRMAN Gold across front
- 120 day warranty

Material	PEVA
Carton LxWxH (inch)	9.9"x5.5"x4"
Warranty Residential / Commercial (days)	120/90
Unit Weight (lbs)	1.2
Model No.	1006
UPC	840876100424

# 1007

## Inverter Generator Cover

# FIRMAN®

### Accessories



### Features & Benefits

- Fits the Inverter Generators 2700 - 3500 Watts or up to 22.8" X 17.3" X 17.9"
- Double insulated
- Durable exterior finish built to last for years
- Easy to install
- Powerful, durable pull cord to keep your cover secure even in windy conditions
- FIRMAN logo printed in Bold FIRMAN Gold across front
- 120 day warranty

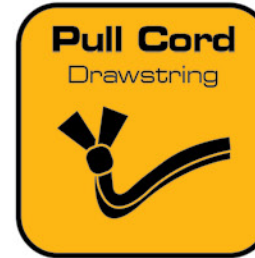
Material	PEVA
Carton LxWxH (inch)	11.4"x6.9"x4"
Warranty Residential / Commercial (days)	120/90
Unit Weight (lbs)	1.5
Model No.	1007
UPC	840876100431

# 1008

## Small Inverter Generator Cover

# FIRMAN®

### Accessories



### Features & Benefits

- Fits the Small Inverter Generators 1500 - 2200 Watts or up to 18.9" X 11.8" X 15.4"
- Double insulated
- Durable exterior finish built to last for years
- Easy to install
- Powerful, durable pull cord to keep your cover secure even in windy conditions
- FIRMAN logo printed in Bold FIRMAN Gold across front
- Integrated zipper and velcro flap to carry your Inverter while it's covered
- 120 day warranty

Material	PEVA
Carton LxWxH (inch)	9.9"x5.5"x4"
Warranty Residential / Commercial (days)	120/90
Unit Weight (lbs)	1.2
Model No.	1008
UPC	840876100448



# 1009

## Large Generator Cover

# FIRMAN®

### Accessories



### Features & Benefits

- Fits the Large Wattage Generators 5000 Watts and up or up to 29.5" X 21.7" X 24"
- Double insulated
- Durable exterior finish built to last for years
- Easy to install
- Powerful, durable pull cord to keep your cover secure even in windy conditions
- FIRMAN logo printed in Bold FIRMAN Gold across front
- 120 day warranty

Material	PEVA
Carton LxWxH (inch)	13.7"x8.1"x4"
Warranty Residential / Commercial (days)	120/90
Unit Weight (lbs)	2
Model No.	1009
UPC	840876100455

Discover other generators on our website.