

**INSTALL TIME: 15 Mins**

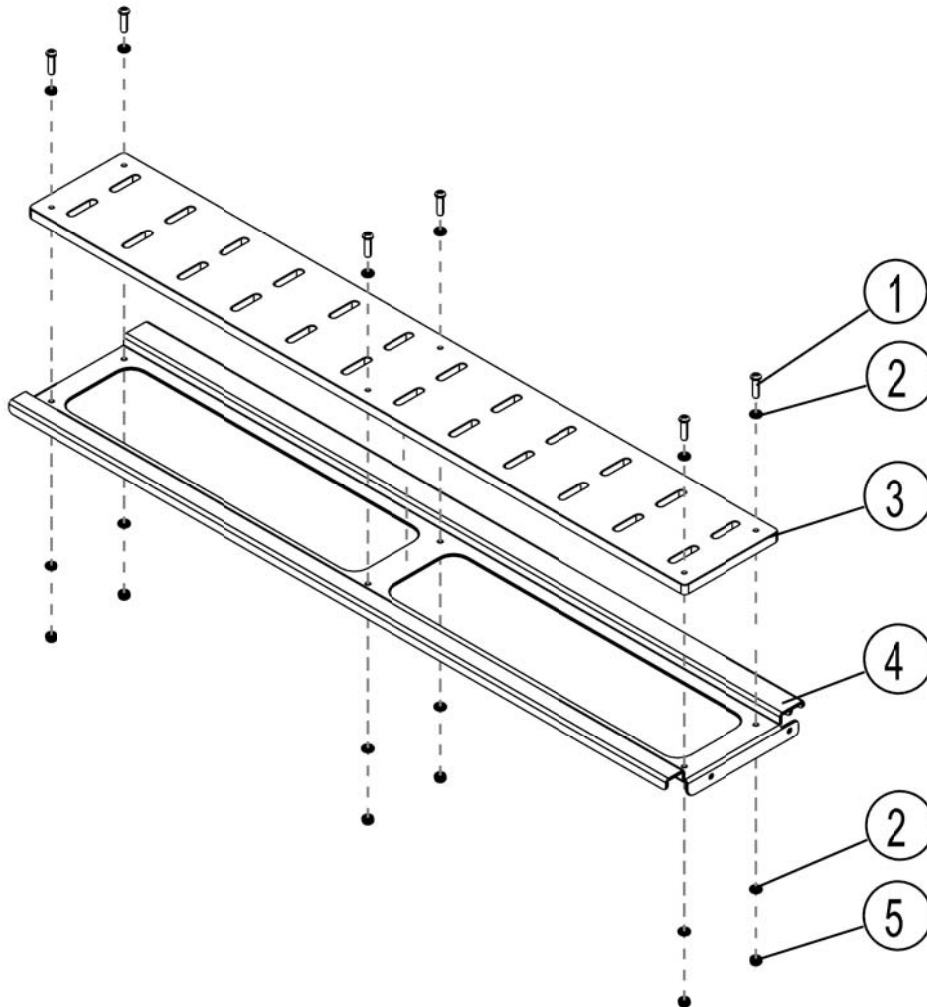
1 ASSEMBLE SHELF

Here is what you are looking at:

Item #	Quantity	Description
1	6	M6 x 25 BUTTON HEAD BOLT
2	12	M6 FLAT WASHER
3	1	WOODEN SHELF
4	1	FRAME
5	6	M6 NYLOC NUT
6	6	M6 NUT CAP (not Pictured)

You will need:

- 10 mm Flat Wrench
- 4 mm Hex Key



- (A) Assemble the Wooden Shelf to the Frame as shown above and place a M6 Nut Cap over each Nyloc Nut once assembled.

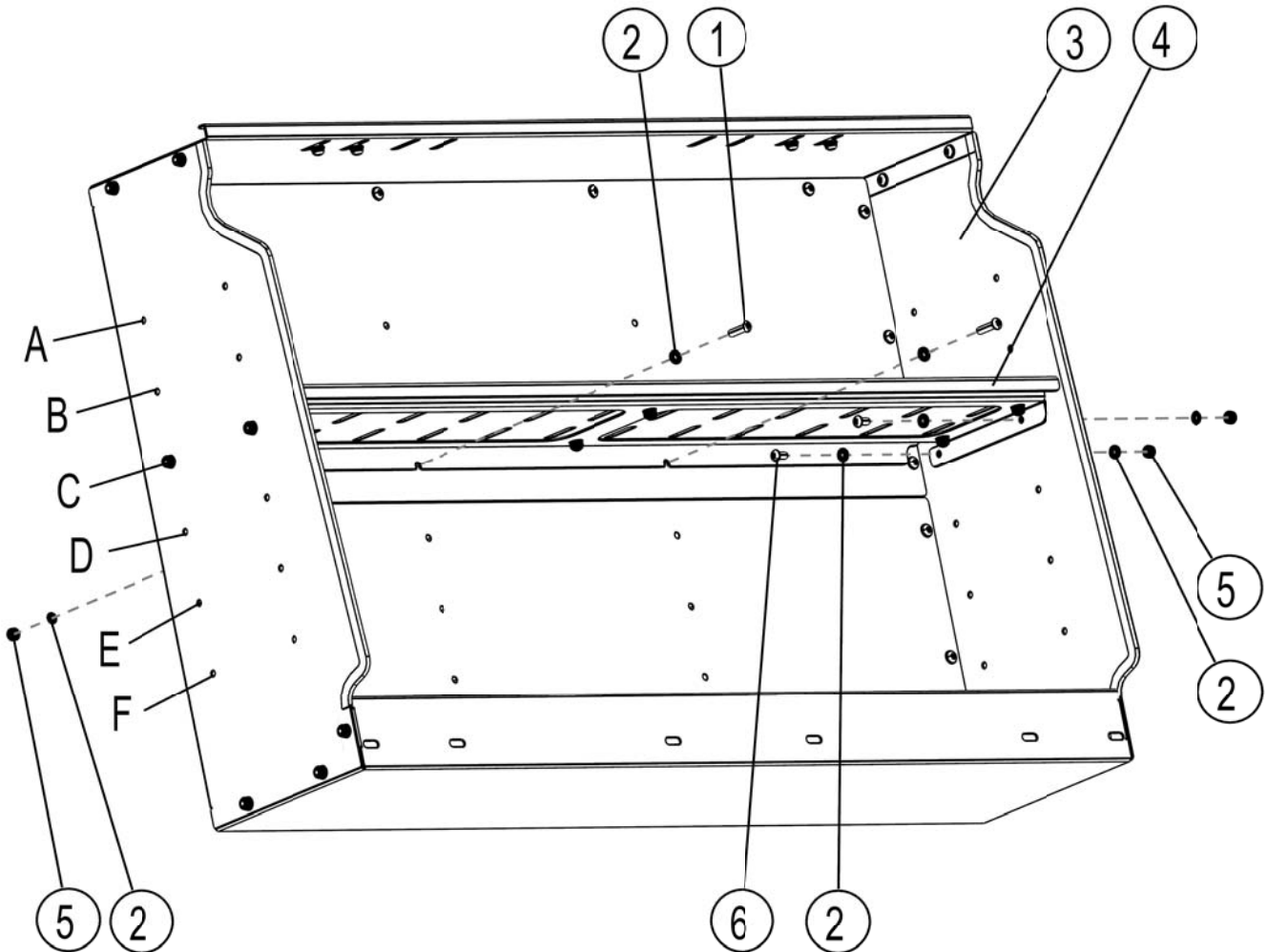
2 FIT THE SHELF

Here is what you are looking at:

Item #	Quantity	Description
1	2	M6 x 25 BUTTON HEAD BOLT
2	12	M6 FLAT WASHER
3	1	WINDOW BOX
4	1	SHELF
5	12	M6 NYLOC NUT
6	4	M6 x 12 BUTTON HEAD
7	12	M6 NUT CAP (not pictured)

You will need:

- 10 mm Flat Wrench
- 4 mm Hex Key



- (A) Decide which of the six different height settings (A - F) you would like to use. Place the Shelf into the Window Box and line up the holes in the side of the Shelf with the chosen height setting. Secure the Shelf to the sides of the Window Box using four M6 x12 Button Head Bolts, eight M6 Flat Washers and four Nyloc Nuts (Items 2, 5, &6). Secure the rear of the Shelf to the Wooden Back Panel of the Window Box using two M6 x 25 Button Head Bolts, four M6 Flat Washers and to Nyloc Nuts (Items 1, 2 & 5). Place a Nut Cap (Item 7) over all of the M6 Nyloc Nuts.

- (B) Congratulations, you have completed your installation. Take a step back and admire your work. Good Job!