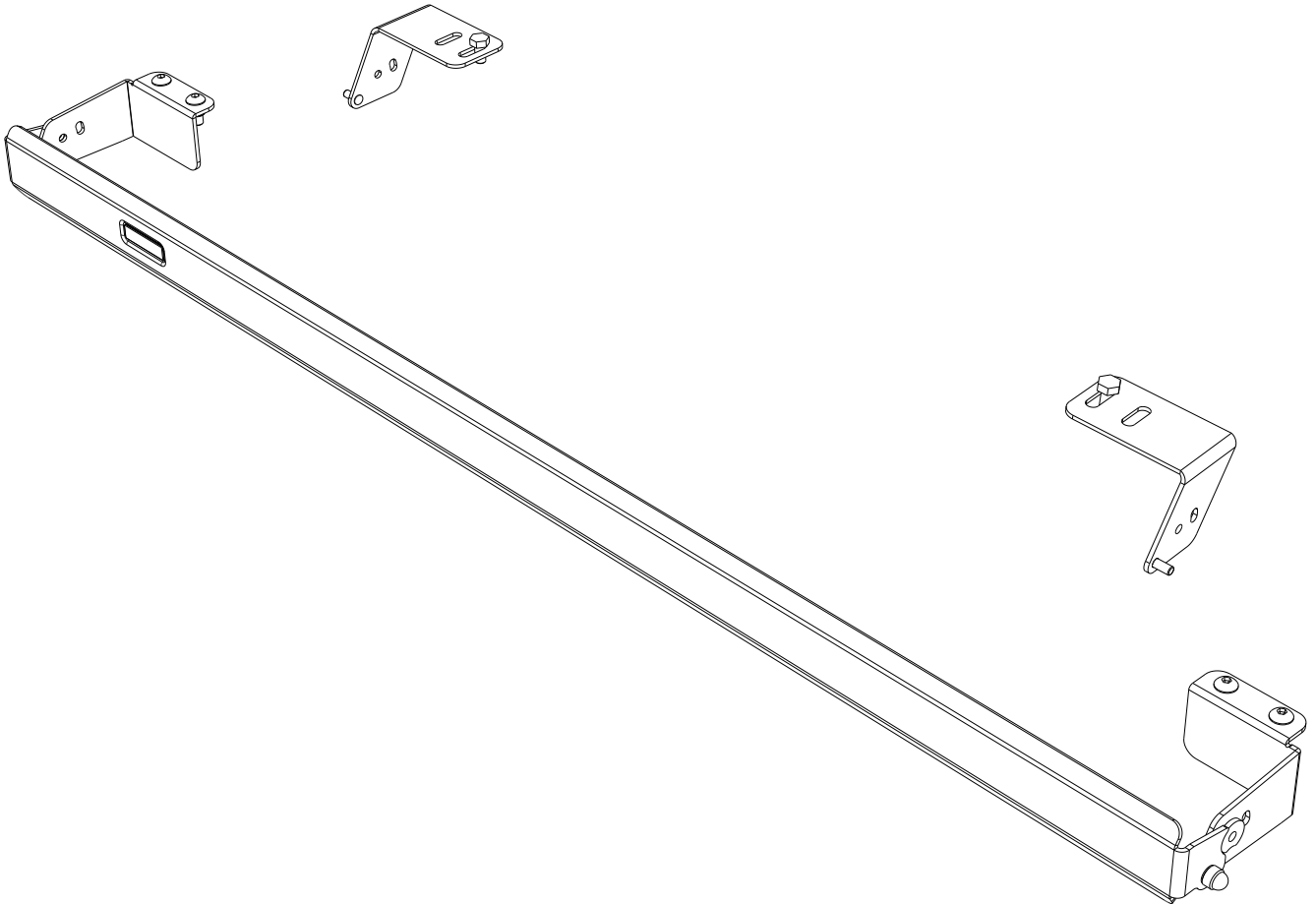


FRONT RUNNER

40" MOUNT BRACKETS WITH COVER (OSRAM)

RRAC160



READ ME !

Thank you for purchasing a Front Runner 40" Light Cover With Mounting Brackets.

Before you start, take a moment to familiarize yourself with the Fitting Instructions and the components received.

Refer to Page 2 for a list of all the components, quantities and tools required.

IMPORTANT WARNING!

IT IS CRITICAL THAT ALL FRONT RUNNER PRODUCTS BE PROPERLY AND SECURELY ASSEMBLED AND ATTACHED TO YOUR VEHICLE. IMPROPER ATTACHMENT COULD RESULT IN AN AUTOMOBILE ACCIDENT, AND COULD CAUSE SERIOUS BODILY INJURY OR DEATH. YOU ARE RESPONSIBLE FOR ASSEMBLING AND SECURING ALL FRONT RUNNER PRODUCTS TO YOUR VEHICLE, CHECKING THE ATTACHMENTS PRIOR TO USE, AND PERIODICALLY INSPECTING THE PRODUCTS FOR ADJUSTMENT, WEAR AND DAMAGE. THEREFORE, YOU MUST READ AND UNDERSTAND ALL OF THE INSTRUCTIONS AND PRECAUTIONS SUPPLIED WITH YOUR FRONT RUNNER PRODUCT PRIOR TO INSTALLATION OR USE. IF YOU DO NOT UNDERSTAND ALL OF THE INSTRUCTIONS AND CAUTIONS, OR IF YOU HAVE NO MECHANICAL EXPERIENCE AND ARE NOT THOROUGHLY FAMILIAR WITH THE INSTALLATION PROCEDURES, YOU SHOULD HAVE THE PRODUCT INSTALLED BY A PROFESSIONAL INSTALLER OR OTHER QUALIFIED PERSONNEL.

NOTE: Front Runner will not be responsible for any damage caused by the failure to install the product according to these instructions.

1

GET ORGANIZED

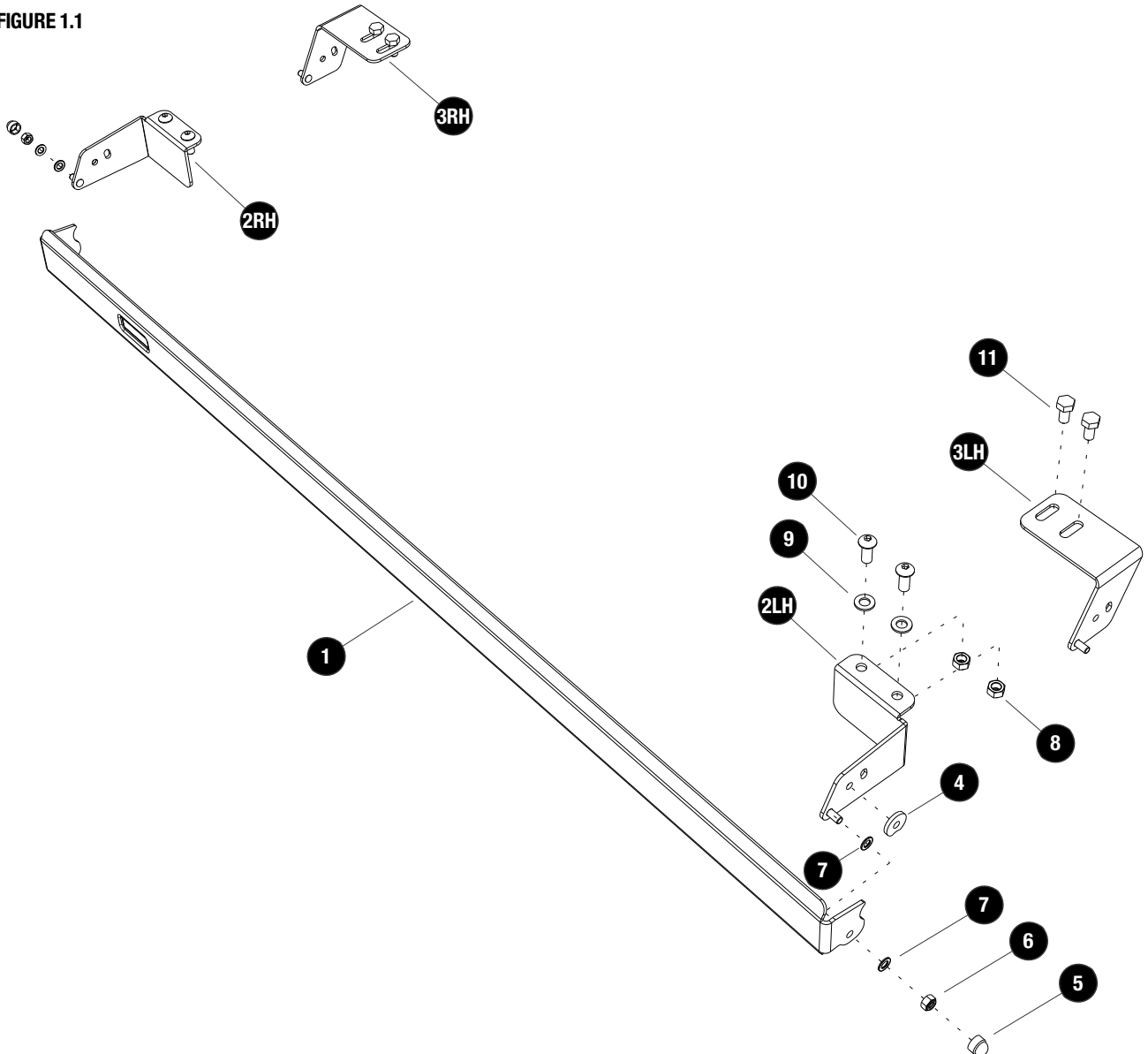
IN THE BOX

1	1 X	Light Cover
2	2 X	Front Mount 1LH + 1RH
3	2 X	Under Rack Mount 1LH + 1RH
4	2 X	Cover Stop Washer
5	2 X	M6 Nut Cap
6	2 X	M6 Nyloc Nut
7	4 X	M6 x 12 x 1SS Flat Washer
8	4 X	M8 Nyloc Nut
9	4 X	M8 x 16 x 1.6SS Flat Washer
10	4 X	M8 x 20 Button Head Bolt
11	4 X	M8 x 16 Hex Bolt
12	4 X	M6 x 16 Button Head Bolts

TOOLS NEEDED

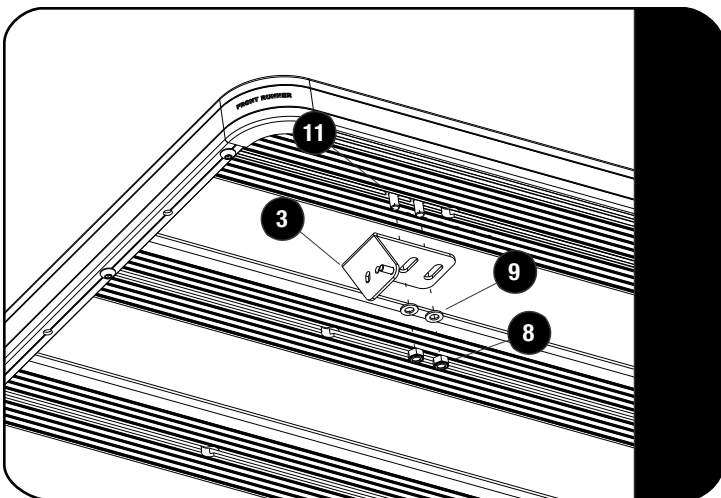


FIGURE 1.1



2**FIT AND SECURE**

2.1



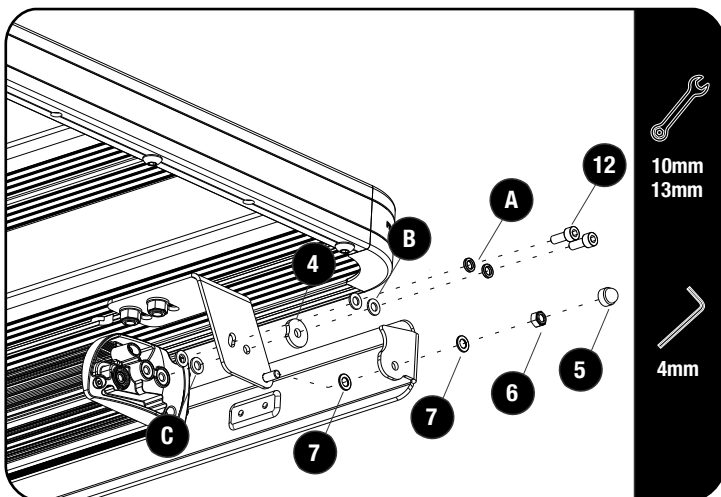
If you decided to fit the the light in front on the Combined Slat, proceed to 3.1.



Slide two M8 x 16 Hex Bolts (Item 11) into the underside of the combined Slat.

Loosely fit the Mounting Brackets (Item 3LH & 3RH) using M8 x 16 x 1.6SS Flat Washers and M8 Nyloc Nuts (Items 8 & 6) as shown.

2.2



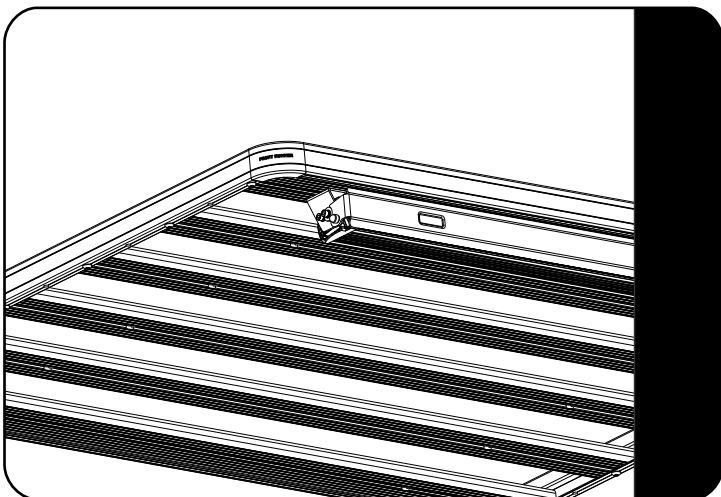
Fit the Light Cover and Cover Stopper Washer (Item 1 & 4) with the LED light to the brackets as shown, using the M6 x 16 Button Head Bolts, M6 x 12 x 1SS Flat Washers, M6 Nyloc Nuts (Item 6, 7 & 12) and fasteners supplied with the light.

A. M6 Spring Washer
B. M6 Flat Washer
C. M6 Nylon Washer

Center the light on the Combined Slat before fully tightening the fasteners.

Place M6 Nut Caps (Item 5) Nyloc Nuts to finish off.

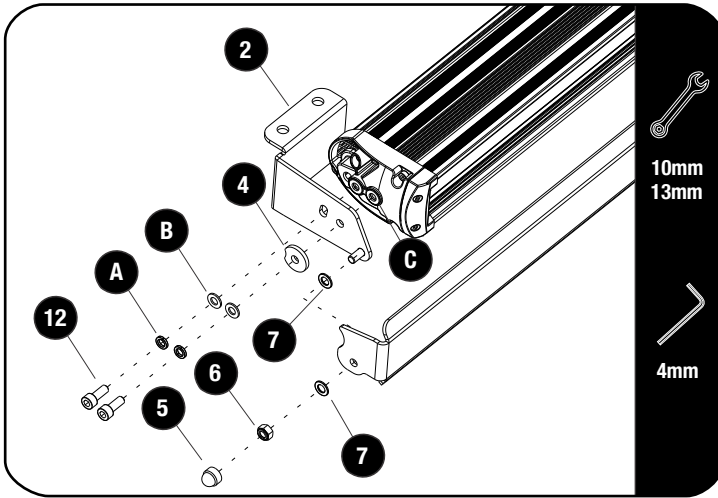
2.3



2

FIT AND SECURE

3.1

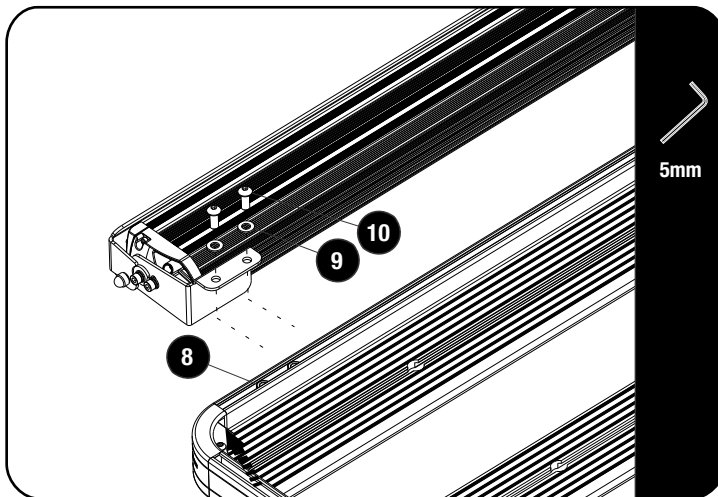


Fit the Light Cover and Cover Stopper Washer (Item 1 & 4) with the LED light to the brackets as shown, using the M6 x 16 Button Head Bolts, M6 x 12 x 1SS Flat Washers, M6 Nylon Nuts (Item 6, 7 & 12) and fasteners supplied with the light.

- A. M6 String Washer
- B. M6 Flat Washer
- C. M6 Nylon Washer

Place M6 Nut Caps (Item 5) Nylon Nuts to finish off.

3.2

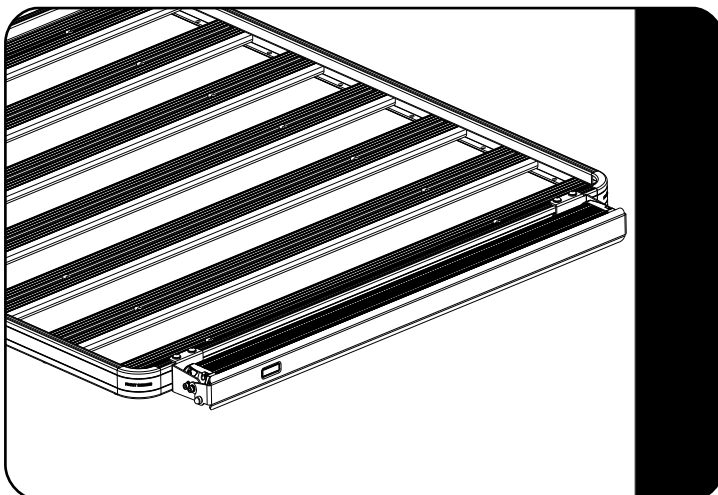


Slide four M8 Nyloc Nuts (Item 8) into the Combined Slat as shown.

Loosely fit the light with brackets to the Combined Slat using M8 x 20 Button Heads and M8 x 16 x 1.6SS Flat Washers (Items 9 & 10) as shown.

Center the light on the Combined Slat before fully tightening the fasteners.

3.3



3

FINISH

Congratulations! You did it. Take a step back and admire your work!

4

INSTALL OTHER VEHICLE AND RACK ACCESSORIES

Now's the time to visit your favorite Front Runner Dealer in person or online.