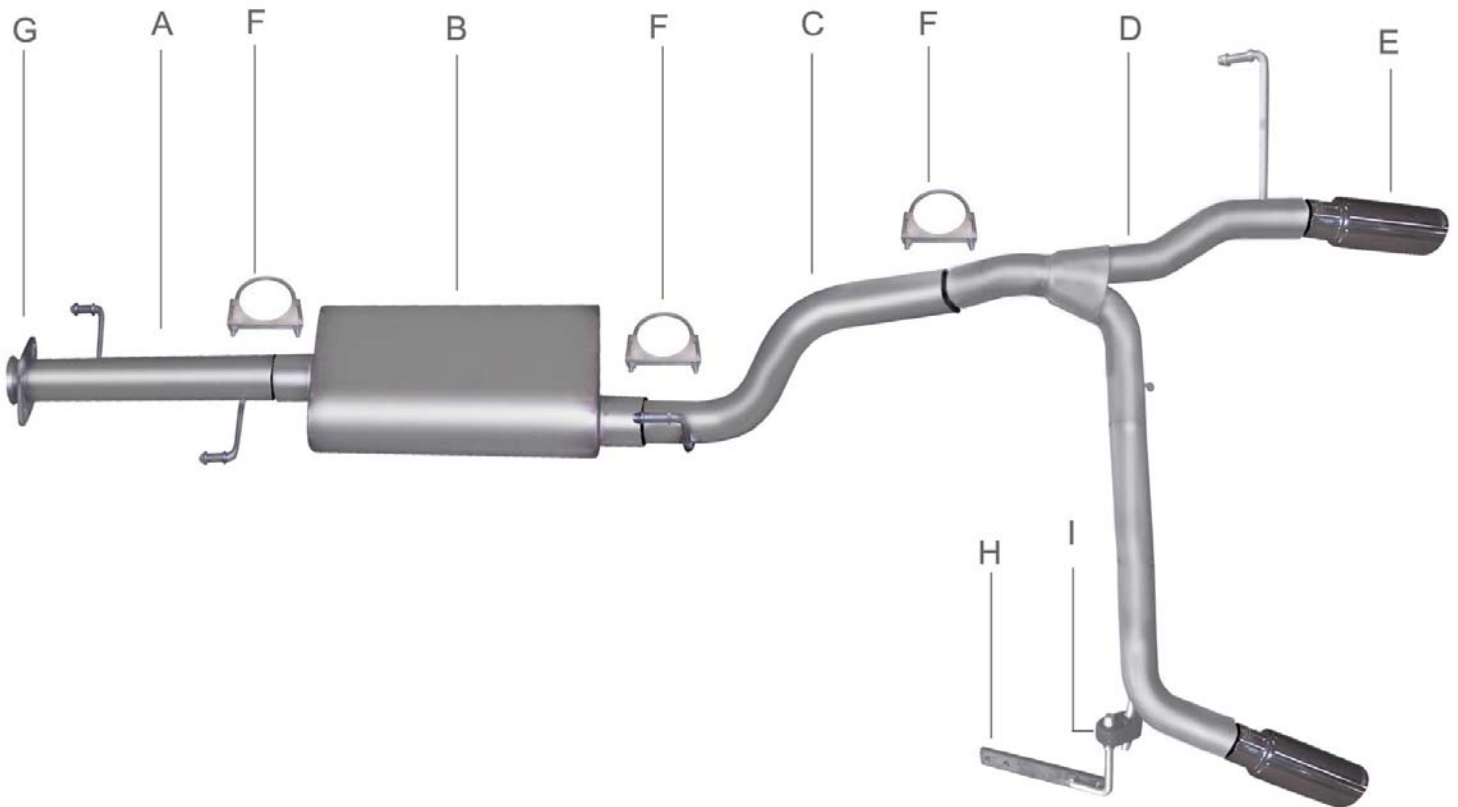




**INSTALLATION INSTRUCTIONS**  
**CAT BACK DUAL REAR EXHAUST**  
**07-10 TOYOTA FJ CRUISER 4.0L 4WD 4DR**  
**PART # 18808**



ITEM	PART #	QUANTITY	DESCRIPTION
A	700852	1	2½" Headpipe w/GP-532 flange and welded hangers
B	11220	1	Superflow muffler
C	700853	1	2½" Over axle tailpipe w/welded hanger
D	701124	1	Rear Dual Exit Pipe.
E	500395	2	3½" Stainless tips
F	5757	3	2½" Clamp
G	BO-1036	1	Bolt Kit for headpipe
H	40111	1	Drivers Side Hanger
I	4240	1	Rubber Grommet

## CAREFULLY READ INSTRUCTIONS BEFORE STARTING INSTALLATION.

When installing this exhaust system make sure to use proper safety precautions. Use jack stands when working under the vehicle, set parking brake, block tires and use safety glasses and gloves. Allow exhaust to cool before attempting installation. Severe injury or burns could occur if safety measures are not taken.

Disconnect the negative battery cable before removal of OEM exhaust. This will allow the computer to reset and recognize the new exhaust. Lay out the exhaust on the floor so it looks like the drawing and compare parts with manual.



1. To remove the stock exhaust remove it from the 2-bolt flange located in front of the stock muffler. Disengage the welded hangers using WD-40 from the OEM rubber grommets. Do not damage or remove the rubber grommets as you will re-use them to mount your new system. Now, cut off tailpipe and remove exhaust.



4. Install the overaxle tailpipe #C into the muffler 1½-2" secure with clamp #F. DO NOT TIGHTEN. Insert welded hanger into rubber grommet.



2. Install head pipe #A onto your existing stock front pipe and attach with hardware kit #G. DO NOT TIGHTEN. Insert welded hangers into rubber grommets.



5. Next, install the Y-Pipe #D. onto overaxle pipe. Use clamp #F to secure to the tailpipes. DO NOT TIGHTEN. Insert welded hanger into rubber grommet.



3. Install muffler #B onto head pipe 1½"-2" with the louvers facing towards the converter. Use a jack stand to support the muffler. Use clamp #F to secure the muffler to the headpipe. DO NOT TIGHTEN.



6. Next, install the driver side hanger #H & I. Remove the tow hook and install in between the hook and frame rail using factory bolts and provided rubber grommet.



7. Install stainless steel tip #E. Clamp down. When you have everything in place, firmly tighten all bolts and clamps down securely. Use stainless steel cleaner weekly to prevent tip from discoloration.

GIBSON EXHAUST systems are designed on a factory stock vehicle. Any aftermarket products installed could increase the sound levels of this Exhaust. **Make sure there is a 1" clearance from ALL rubber brake lines, shock boots, fuel lines, tires, etc to prevent heat related damage or fire.**