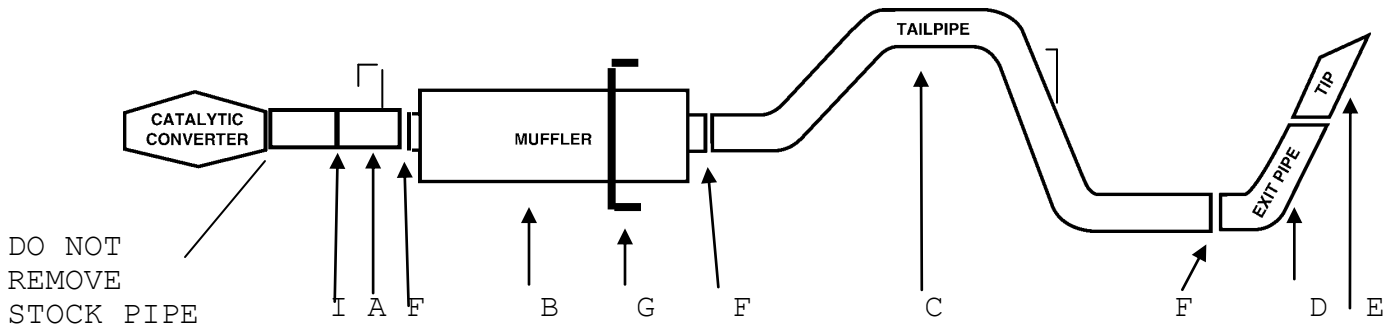




PERFORMANCE EXHAUST SYSTEMS

## INSTRUCTION MANUAL

CAT-BACK SINGLE STAINLESS EXHAUST  
DODGE RAM 1500 TRUCK 5.7L, HEMI, 2/4WD  
STANDARD CAB, SHORT BED 2DR  
PART# 616595



ITEM	PART #	QUANTITY	DESCRIPTION
A	832-700591S	1	3"x21" HEADPIPE EXT. W/HANGER SS
B	766302S	1	SUPERFLOW MUFFLER STAINLESS
C	558-700406S	1	3" OVERAXLE TAILPIPE W/HANGER SS
D	154-50032RS-2	1	3" EXIT PIPE STAINLESS
E	500360	1	3-1/2" STAINLESS TIP
F	OHD300	3	3" CLAMP
G	4187	1	BAND CLAMP
H	BO-1015	1	BAND CLAMP BOLT KIT
I	5758	1	2 3/4" CLAMP

**WILL NOT FIT WITH FACTORY GROUND KIT**

# EXHAUST INSTALLATION #616595

WHEN INSTALLING THIS EXHAUST SYSTEM MAKE SURE TO USE PROPER SAFETY PRECAUTIONS. USE JACK STANDS WHEN UNDER THE TRUCK, SET PARKING BRAKE, BLOCK TIRES AND USE SAFETY GLASSES AND GLOVES. **DO NOT WORK WITH HOT PIPES!**

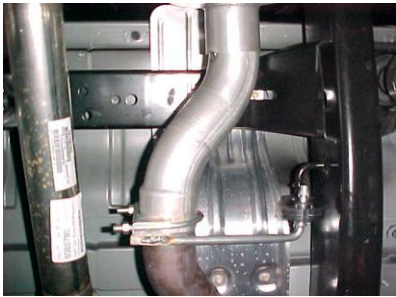
**TO REMOVE THE STOCK EXHAUST UN-CLAMP IT JUST IN FRONT OF THE MUFFLER.**



LAY OUT THE EXHAUST ON THE FLOOR SO IT LOOKS LIKE THE DRAWING AND COMPARE PARTS TO THE MANUAL. YOU MAY NEED TO HEAT IT UP FOR EASIER REMOVAL. LEAVE ALL RUBBER GROMMETS IN PLACE.



INSTALL THE OVERAXLE TAILPIPE #C INTO THE MUFFLER 1-1/2" TO 2". INSERT WELDED HANGER INTO RUBBER GROMMET. USE CLAMP #F TO SECURE TAILPIPE TO THE MUFFLER. DO NOT TIGHTEN.



INSTALL HEADPIPE #A ONTO YOUR EXISTING STOCK FRONT PIPE AND SECURE WITH CLAMP #I. USE A JACKSTAND TO SUPPORT THE CONVERTER. INSERT WELDED HANGER INTO RUBBER GROMMET.



INSTALL EXIT PIPE #D ONTO OVERAXLE PIPE. ROLL TURNOUT PIPE UNTIL YOU HAVE IT AT THE CORRECT ANGLE FOR YOUR TRUCK AND CONNECT WITH CLAMP # F. BUT DO NOT TIGHTEN.



INSTALL MUFFLER #B ONTO HEADPIPE #A 1-1/2" TO 2" WITH THE LOUVERS FACING TOWARDS THE CONVERTER. USE A JACK STAND TO SUPPORT THE MUFFLER. USE CLAMP #F TO SECURE THE MUFFLER TO THE HEADPIPE. DO NOT TIGHTEN. MUFFLER INLET IS LOOKING INTO THE LOUVERS.



INSTALL STAINLESS STEEL TIP. WHEN YOU HAVE EVERYTHING IN PLACE, FIRMLY TIGHTEN ALL BOLTS AND CLAMP DOWN SECURELY. TO CLEAN STAINLESS STEEL TIP USE ANY STAINLESS STEEL CLEANER AND SCOTCH BRITE PAD.



SLIDE BAND CLAMP #G ONTO MUFFLER #B. INSERT HANGERS INTO RUBBER GROMMETS.

## **SUGGESTED TOOLS:**

1/2" WRENCH, 9/16" SOCKET, 15MM SOCKET, HACKSAW, JACKSTAND, WD-40

**MAKE SURE YOU HAVE A 1" CLEARANCE ON ALL RUBBER BRAKE & FUEL LINES, SHOCK BOOTS, TIRE, ETC...**