



PERFORMANCE EXHAUST SYSTEMS

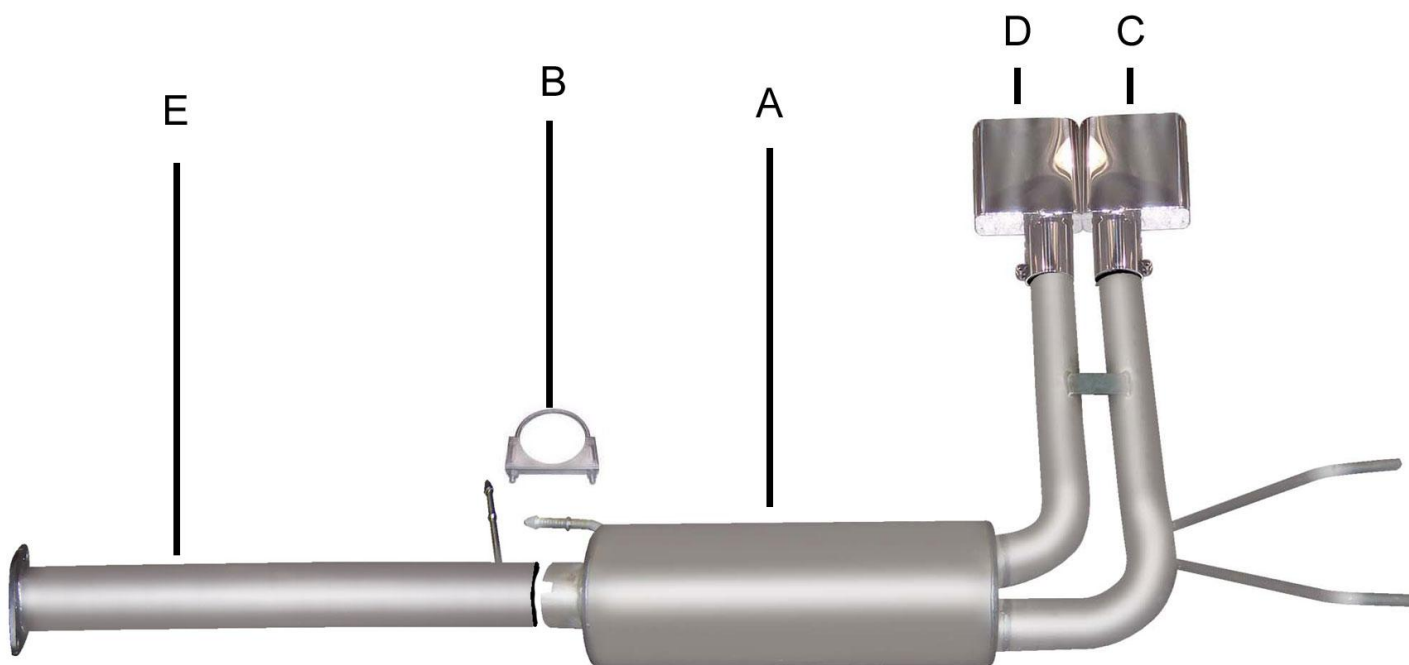
INSTALLATION INSTRUCTIONS

CAT BACK STAINLESS SUPER TRUCK EXHAUST

DODGE RAM 1500 TRUCK 4.7L QUAD CAB, CAB SHORT BED

DODGE RAM 1500 TRUCK, 5.7L QUAD CAB, SHORT BED

PART # 66563



ITEM	PART #	QUANTITY	DESCRIPTION
A	1294-701056S	1	STAINLESS MUFFLER ASSEMBLY
B	OHD300	1	3" CLAMP
C	500366	1	SUPER TRUCK TIP
D	500365	1	SUPER TRUCK TIP
E	1310-701074S	1	3" STAINLESS HEADPIPE

INSTALLATION INSTRUCTIONS # 66563

CAREFULLY READ INSTRUCTIONS BEFORE STARTING INSTALLATION.

When installing this exhaust system make sure to use proper safety precautions. Use jack stands when working under the vehicle, set parking brake, block tires and use safety glasses and gloves. Allow exhaust to cool before attempting installation. Severe injury or burns could occur if safety measures are not taken.

SUGGESTED TOOLS: 1/2", 9/16" 15mm wrenches & sockets, WD-40, hacksaw, jack stands.

.....
: **Disconnect the negative battery cable before removal of OEM exhaust. This will allow the computer to reset and recognize the** :
: **new exhaust. Lay out the exhaust on the floor so it looks like the drawing and compare parts with manual.** :
.....

DO NOT REMOVE STOCK HEADPIPE.



1. To remove the stock exhaust remove it from the clamp located in front of your stock muffler. Use WD-40 to aid in removal of hangers from rubber grommets. Next measure 30" from end of pipe towards front of the vehicle and cut here.



2. Insert muffler assembly #A into headpipe head pipe and attach with clamp #B. **DO NOT TIGHTEN** Use a jack stand to support the muffler assembly.



3. Insert welded hangers into rubber grommets.



4. Install stainless steel tips. Clamp down. When you have everything in place, firmly tighten all bolts and clamps down securely. Use stainless steel cleaner and a Scotch Brite pad weekly to prevent tip from discoloration. Inspect all fasteners after 25-50 miles of operation and re-tighten as necessary