

INSTALLATION INSTRUCTIONS

RB10 / RB20 SIDE STEPS

DODGE RAM CREW CAB 1500 DODGE RAM CREW CAB 2500HD, 3500 HD

63410687
69410687

Parts list				
item	QTY	Código	Description	Max Torque
1	3 set	6340994AA	Main Bracket	
2	6 piece	372240BA	Plate T	
3	6 piece	6300874AA/4BA	"U" Bracket	
4	12 piece		5/16" x 1" hex head bolt	11 Lb. Ft.
5	12 piece		5/16" flat washer	
6	12 piece		5/16" lock washer	
7	12 piece		3/8" x 1" hex heat bolt	25 Lb. Ft.
8	18 piece		3/8" flat washer	
9	18 piece		3/8" lock washer	
10	6 piece		3/8" hex nux	25 Lb. Ft.
11	6 piece		Vinil gasket	
12	4 piece		M8 x 25mm hex head bolt	18 Lb. Ft.

Required Tools (Not included)

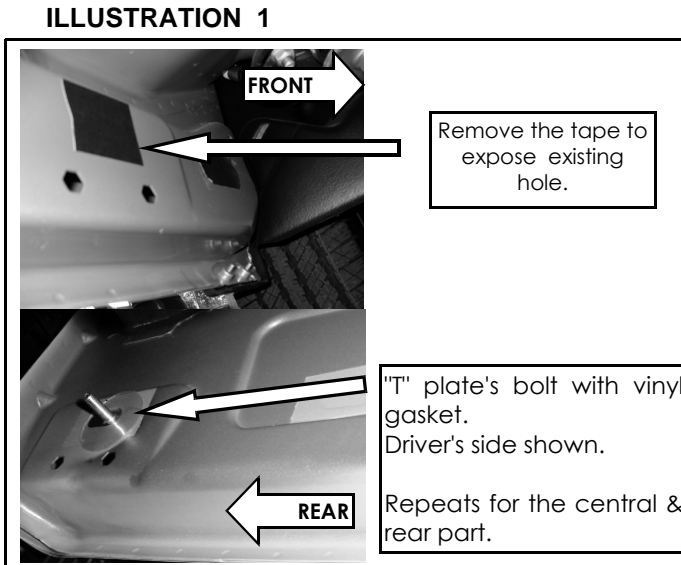
- A. Ratchet c / extension
- B. Wrench & socket 1/2 "
- C. Wrench & socket 9/16 "
- D. Wrench & socket M13

- 1.-** Before beginning the installation, please read all directions carefully and verify that all necessary hardware is accounted for. If any parts are missing, stop the installation and contact your distributor immediately.
- 2.-** To maintain and care this product keep it clean and do not use abrasive cleaners or polish waxes. We recommend to use only non-abrasive automotive wax such as pure carnauba to avoid scratches and rust.
- 3.-** The approximate installation time is 45 min.

4. To install front, middle and rear mounting brackets locate in the rocker panel the holes covered in tape and remove the tape. Place one vinyl gasket to the bolt of the "T" plate then insert into the exposed hole.

SEE PICTURE 1.

NOTE 1: It is important to place vinyl gaskets to the bolts to prevent the "T" plate from falling into the rocker panel.

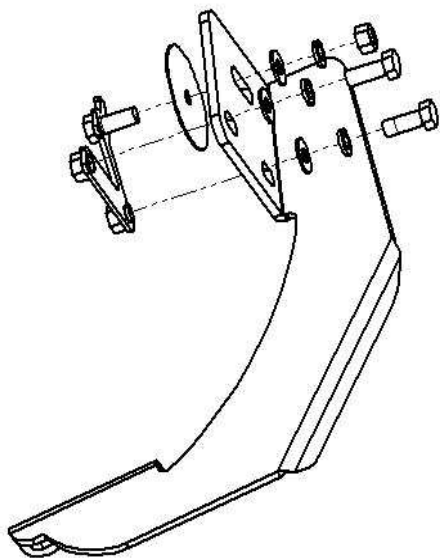


5. Place the front and middle bracket and attach to the bolt of the plate that was placed in the panel of the vehicle with: 3/8" flat and lock washers, 3/8" hex nut secure.

And to the nuts of the T plate with: 3/8 x 1" hex head bolt, 3/8" flat and lock washer. **SEE ILLUSTRATION 2.** Leave loose.

6. Repeat the procedure to install rear mounting bracket. **SEE ILLUSTRATION 2.** Leave loose. Repeat in opposite side.

ILLUSTRATION 2

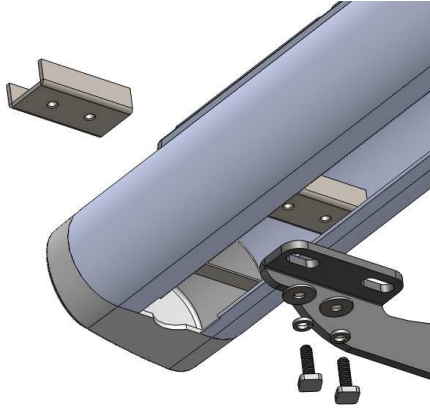


PICTURE 2



7. Place the sidebar on top of the mounting brackets. Position (3) of the U-brackets (included with the side step) inside the sidebar body, and align the U-brackets with the mounting brackets. Attach the side step and U-brackets to each mounting brackets using (2) 5/16" Hex head bolts, (2) 5/16" flat washers and (2) 5/16" lock washers. **ILLUSTRATION 3.**

ILLUSTRATION 3



PICTURE 3



8. Align side bar RB10 and then tighten all bolts.
9. Periodically check your product because it may need a re-tighten of bolts.
10. Fill the warranty card and place it inside your vehicle's glove box.

