

INSTALLATION INSTRUCTIONS

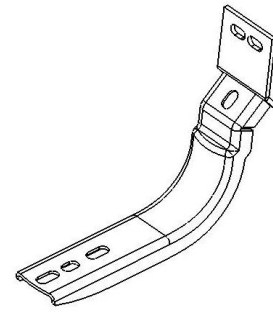
BRACKET	OVAL SIDE BAR <u>WIDESIDER</u> 4"	WHEEL TO WHEEL	RUNNING BOARD WIDESIDER 5" & 6"	APPLICATION	MODEL
6843515	64351 - 67351	-	39087	NISSAN TITAN CREW CAB.	04 - 12
	64353 - 67353	-	39080	NISSAN TITAN EXT. CAB.	04 - 12

Parts List:

ITEM	QTY	CODE	DESCRIPTION	TORQUE MAX.
1	6	390594AA	Main brackets pc	-
KTE-390595 Hardware kit including:				
2	12	-	5/16" Square head bolt	11 Lb.ft
3	24	-	5/16" Flat washer	-
4	24	-	5/16" Lock washer	-
5	12	-	5/16" Hex nut	11 Lb.ft
6	6	-	M8 x 30mm Hex head bolt	11 Lb.ft
7	6	-	M8 hex nut	11 Lb.ft
NOTE: 394058(9-66) / 394059(9-66) INCLUDES:				
8	1	-	Oval 4" Widesider bar set	-

Tools required not including:

DESCRIPTION	QTY
13mm Socket / Wrench	1
Ratchet	1
Extension ratchet	1



Instructions:

Approximated installation time: 30 min.

1. Before beginning the installation read all instructions thoroughly and verify that all hardware is accounted for. If there are any listed parts missing, please notify your distributor immediately.
2. Locate in the rocker panel the existing bolts and the threaded holes covered with a plastic plugs (remove the plastic plugs). See Picture 1.
3. Place mounting bracket as shown, secure to the threaded hole using (1) M8 x 30mm hex head bolt and 5/16" flat and lock washer and to the existing bolt with (1) 5/16" lock and flat washer and (1) M8 hex nut. Leave loose. See Diagram 1. Repeat the same procedure for each bracket.

PICTURE 1

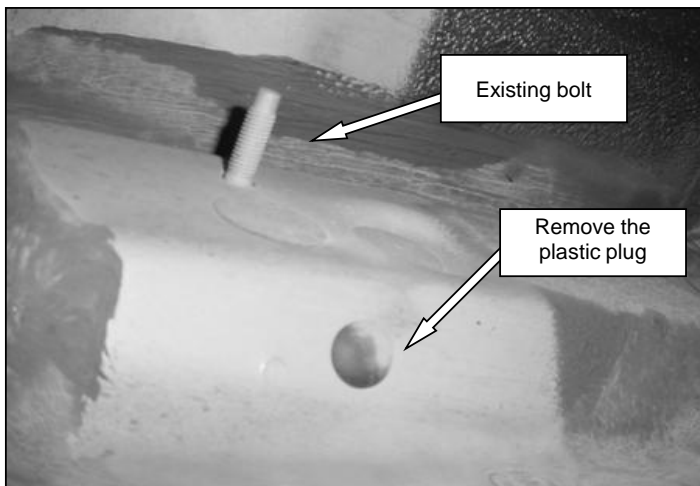
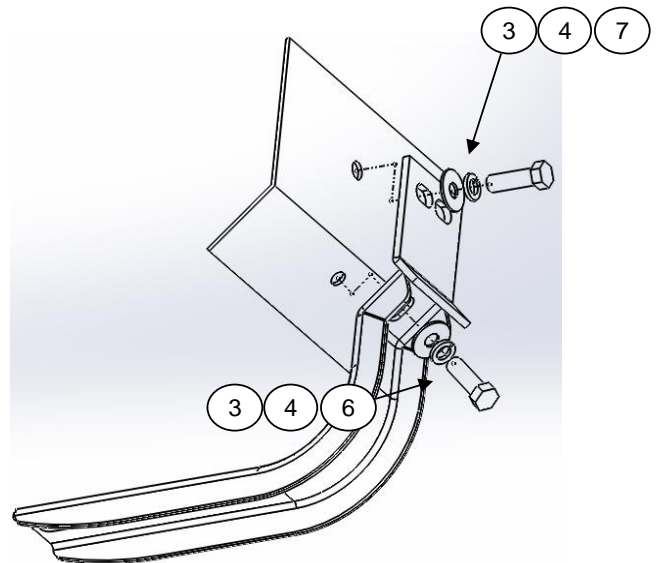


DIAGRAM 1



Cleaning and care instructions:

Design:

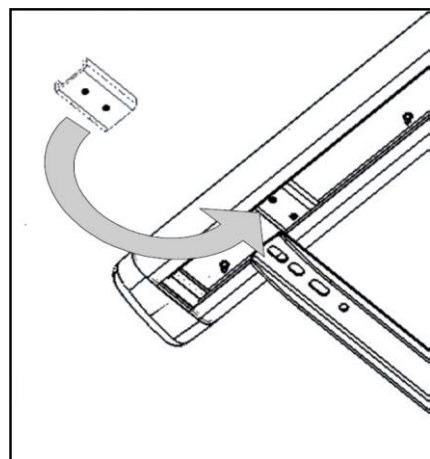
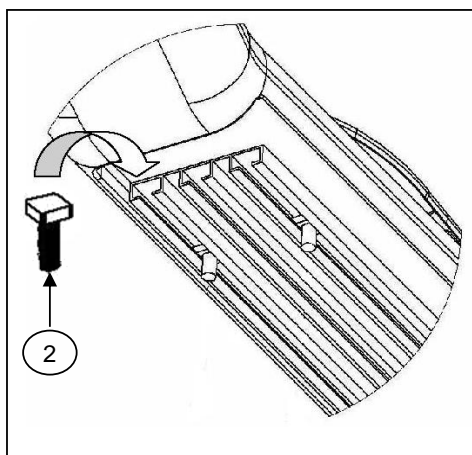
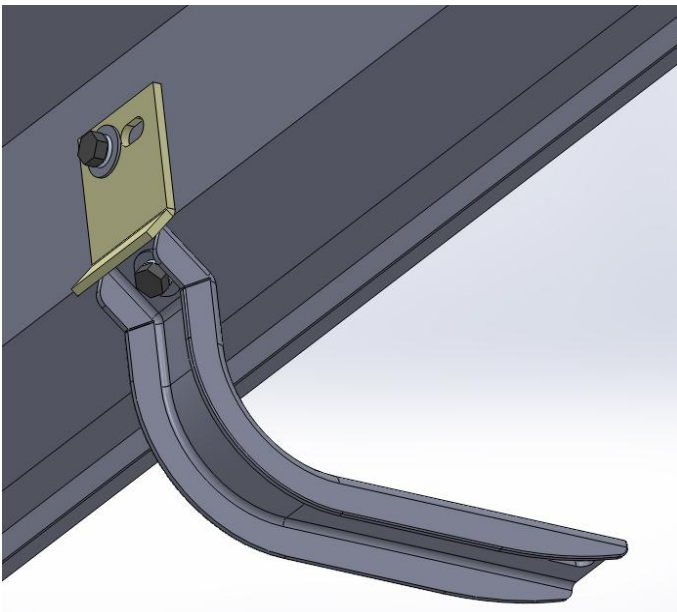
Quality:

Protect the finish with a non-abrasive automotive wax, (e.g. Pure Carnauba) on a regular basis. The use of any soap, polish, or wax that contains an abrasive is detrimental to the finish, as the compounds scratch the finish and cause corrosion.

INSTALLATION INSTRUCTIONS

4. Install Running board, first insert 5/16" square head bolt on rail, place on brackets aligns and attach with: (2) 5/16" Flat and lock washer, (2) 5/16" hex nut. **See illustration 1 or 2 depending on which product you acquired.** Repeat for each bracket. Leave loose.
5. Align, and then get tighten all bolts. Repeat the steps to install the opposite side.
6. Do not use abrasive substances to clean your product.
7. Periodically check your product because it may need a re-tighten of bolts.
8. Fill the warranty card and place it inside your vehicle's glove box.

PICTURE 2



Cleaning and care instructions:

Protect the finish with a non-abrasive automotive wax, (e.g. Pure Carnauba) on a regular basis. The use of any soap, polish, or wax that contains an abrasive is detrimental to the finish, as the compounds scratch the finish and cause corrosion.

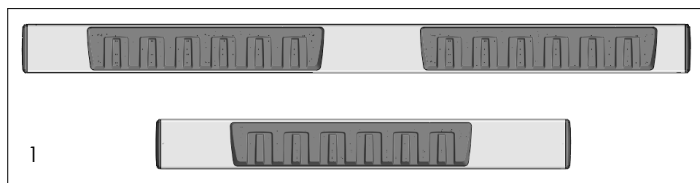
Design:

Quality:

INSTALATION INSTRUCTIONS

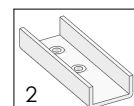
UNIVERSAL RUNNING BOARD

Parts List			
Item	QTY	Code	Description
1	1 set		Running Board
2	6 pcs	397872AA	U (clamp) bracket



Required Tool:

- A. Ratchet w/5" extension
- B. 15mm wrench
- C. 17mm 12-point socket



1. Before beginning the installation read all instructions thoroughly and verify that all hardware is accounted for. if there are any listed parts missing, please notify your distributor immediately.
2. To maintain and care this product keep it clean and do not use abrasive cleaners or polish waxes. It is recommended to use only non-abrasive automotive wax such as pure carnauba to avoid scratches and rust.
3. Once the main brackets are installed (**sold separately**), the approximate installation time is **15 min.**
4. Identify the outboard side of the running board prior to install. **See illustration 1.**
5. Place the U brackets inside the Running Board. Move them to align to the main brackets.
6. Place the flat and lock washers with the square head bolts. This hardware kit is included on the main brackets that are (**sold separately**). **See illustration 2.**
7. Align the Running board and tighten the bolts using the wrench or the socket.
8. **NOTE: For some regular cabs only two U brackets are needed per side.**

Illustration 1

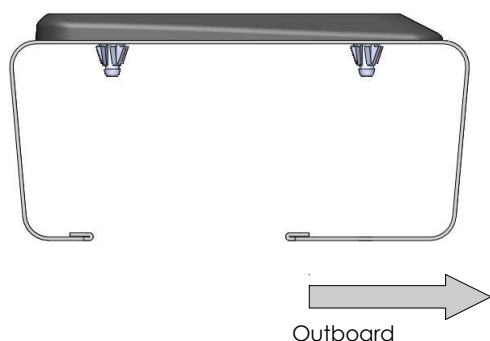


Illustration 2

