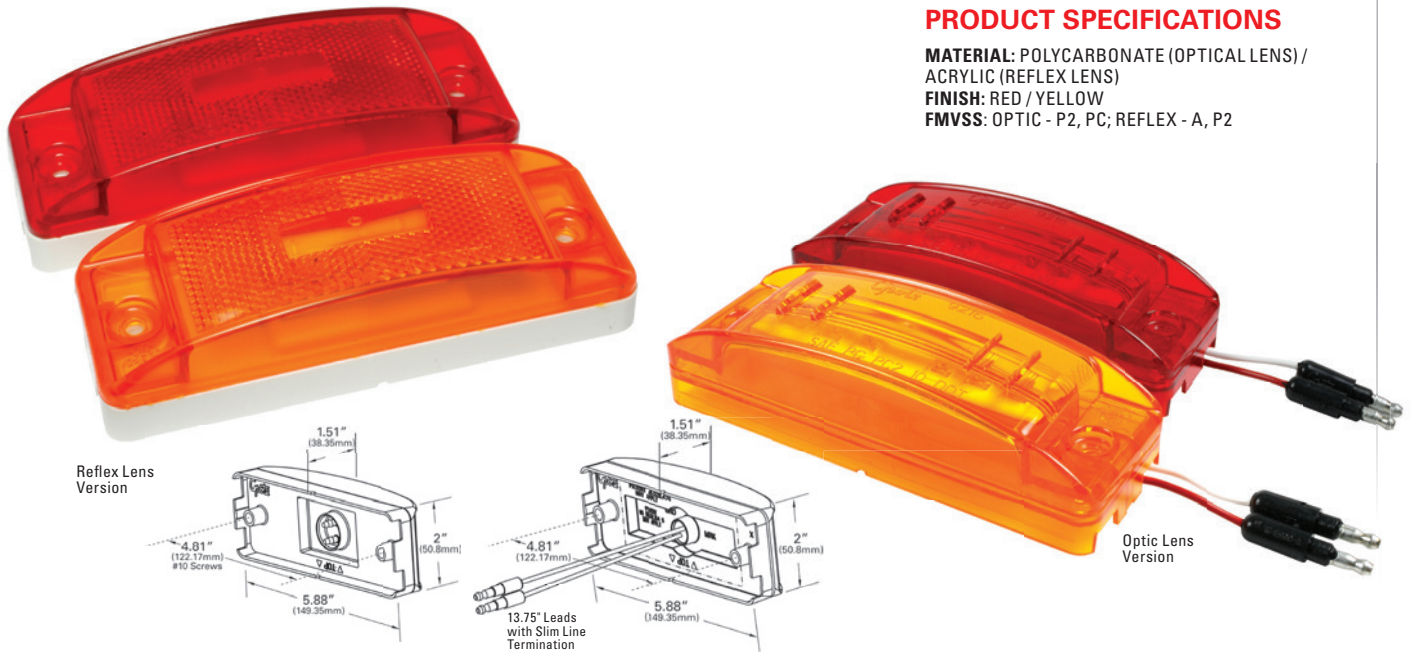


SuperNova® Sealed Turtleback® II LED Clearance / Marker Lamp

Product Information Sheet

CLEARANCE / MARKER LAMPS



PRODUCT SPECIFICATIONS

MATERIAL: POLYCARBONATE (OPTICAL LENS) / ACRYLIC (REFLEX LENS)

FINISH: RED / YELLOW

FMVSS: OPTIC - P2, PC; REFLEX - A, P2

A range of connection options adds new application flexibility

- All LEDs are encapsulated in potting to provide total circuit board protection
- All lamps have hermetic lens-to-housing sealing to protect against corrosion
- All lamps are designed to operate solely in horizontal position
- Optic lens versions meet PC function when mounted on side or back of trailer
- Reflex versions meet PC function when mounted at 45° angle
- Male pin connector versions have tin plated, solid brass terminals sealed to the housing
- Hardwired versions incorporate design features of Grote's MicroNova® DOT
- Both versions resist corrosion and eliminate leak paths

Part Number	Termination	Operating Voltage	Amperage	Interchange
47162 - Red - PC Rated (Optic Lens)	Male Pin	12V	.12A	TL21275R
47163 - Yellow - PC Rated (Optic Lens)	Male Pin	12V	.12A	TL21275Y
47072 - Red - P2 Rated, Built in Reflector (Reflex Lens)	Male Pin	12V	.06A	TL 21251R, 21880R
47073 - Yellow - P2 Rated, Built in Reflector (Reflex Lens)	Male Pin	12V	.06A	TL21251Y, TL21880Y
47352 - Red - P2 Rated, Built in Reflector (Reflex Lens)	Male Pin	24V	.03A	TL21256R
47353 - Yellow - P2 Rated, Built in Reflector (Reflex Lens)	Male Pin	24V	.03A	TL21256Y
49392 - Red - PC Rated (Optic Lens)	Hardwire	12V	.08A	TL21275R
49393 - Yellow - PC Rated (Optic Lens)	Hardwire	12V	.08A	TL21275Y
78403 - Yellow - ABS	Male Pin	12V	.06A	NA

Grote

The first name in vehicle safety systems®