

# MicroNova® Dot LED Clearance / Marker Lamps

Data Sheet

CLEARANCE MARKER



## PRODUCT SPECIFICATIONS

### MATERIAL:

Lens: High Impact Acrylic  
Grommet: PVC

### FINISH:

Red / Yellow / Clear / Black

### FMVSS:

P2, PC

### ECE:

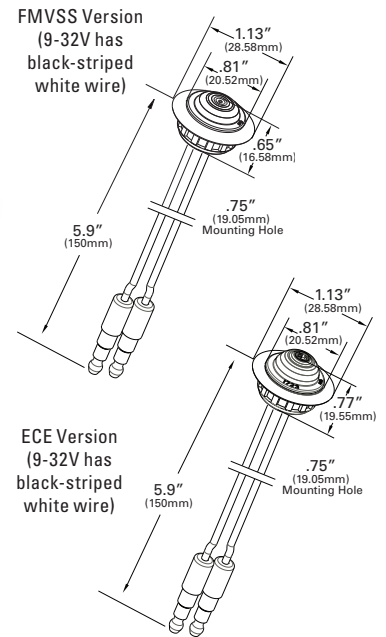
Red / White – R7, Amber – SM1, R91

### VOLTAGE AMP:

12V / .05A; 9V-32V / .03A

## Small size provides more flexibility

- Outperforms all legal requirements
- Available in FMVSS PC / P2, and ECE
- Sleek aerodynamic styling protrudes less than 3/8" from mounting surface
- No fasteners required
- Rectifier diodes prevent damage from negative transient voltage
- Available in 12V and Multi-Volt (9V-32V) versions
- Standard .180 male bullet termination



PART NUMBER	DESCRIPTION	LIGHT SOURCE	OPERATING VOLTAGE
49322	Red P2 w/ Grommet	LED	12V
49332	Red PC w/ Grommet	LED	12V
49323	Yellow P2 w/ Grommet	LED	12V
49333	Yellow PC w/ Grommet	LED	12V
49262	Red PC w/ Grommet	LED	9V-32V
49263	Yellow PC w/ Grommet	LED	9V-32V
49342	Red ECE w/ Grommet	LED	12V
49343	Yellow ECE w/ Grommet	LED	12V
49341	White ECE w/ Grommet	LED	12V
49282	Red ECE w/ Grommet	LED	9V-32V
49283	Yellow ECE w/ Grommet	LED	9V-32V
49281	White ECE w/ Grommet	LED	9V-32V
60831 (task light only)	White w/ Grommet and Deutsch Connector	LED	9V-32V