

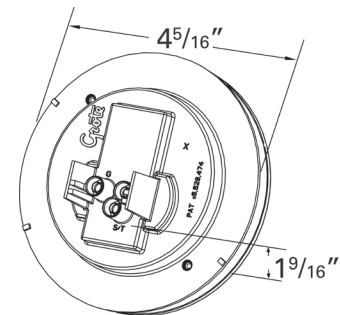
# Grote-Select™ 4" LED Stop/Tail/Turn Lamp

STOP/TAIL/TURN LIGHTING



## PRODUCT SPECIFICATIONS

**MATERIAL:** POLYCARBONATE/ACRYLIC  
**FMVSS:** S/T/T - I, P2, S, T - AUXILIARY - P2  
**FINISH:** RED/YELLOW  
**VOLTAGE AMP:**  
 12 VOLT: 12V/.24A (I,S)/.03A (T)  
 MULTI-VOLT: 9V/.92A - 32V/.478A (I,S)  
 9V/.089A - 32V/.103A (T)



New optic design provides cost effective solution with popular aftermarket termination style.

- Efficient component design and a sealed circuit board leads to maintenance free operation
- Faster light-on response time provides increased stopping alert distance versus incandescent lamps
- Less current draw than standard incandescent lamps which leaves more voltage available to other vehicle systems
- Fits all Grote 4" bracket, grommet, and flange mounting options
- Resembles incandescent light to alleviate theft concerns
- Uses existing pigtails and wiring for cost effective retrofit
- Hermetic lens to housing seal prevents moisture intrusion
- Multi-volt version available for 9 – 32V power systems

PART NUMBER	TERMINATION	LIGHT SOURCE/COLOR	OPERATING VOLTAGE
54342	FEMALE PIN	LED/RED	12V
54343	FEMALE PIN	LED/YELLOW	12V
54282	FEMALE PIN	LED/RED	9V-32V

