

SuperNova® NexGen™ 4" LED Front & Rear Turn Lamp

Data Sheet



STOP/TAIL/TURN LIGHTING



PRODUCT SPECIFICATIONS

MATERIAL:

Lens – Acrylic; Housing – ABS
Finish: Yellow/Black

FMVSS:

16, P, P3

VOLTAGE AMP:

12V .35A (I6) / .043A (P3, P)

CONNECTION:

Hard Shell

PIGTAIL:

66861

GROMMETS:

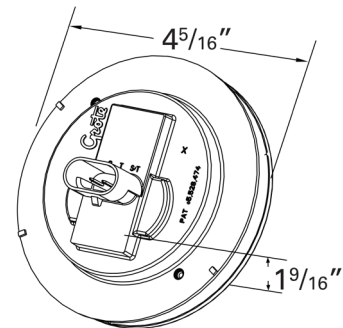
91740, 91950

BRACKETS:

43572, 43655, 51090, 43642, 43732

FLANGES:

93683, 93190, 43253, 43343, 93552, 92510, 92511, 92512, 92513



Meets Legal Front Turn And Rear Turn Specifications

- Longer life than incandescent lamps
- Hermetic lens-to-housing seal prevents moisture intrusion
- Less current draw than standard incandescent lamps which leads to increased fuel efficiency, and leaves more voltage available to other vehicle systems
- Fits all Grote bracket, grommet and flange mounting options

Part Number	Termination	Light Source / Color	Voltage	Amperage
54313	HARD SHELL	LED / YELLOW	12V	.35A (I6) / .043A (P3, P)

Check out the LED signal lights we offer.