

Installation Guide
360° Multi-Voltage Mini LED Beacon
Model 78113

Please Note: These instructions are provided as a general guideline only. Specific mounting, wiring, and/or weather-sealing may be necessary and are the sole responsibility of the installer. The manufacturer assumes no responsibility for the integrity of the installation for this or any of its products.



Please review all of the following requirements prior to installing this light. Failure to follow these safety precautions and instructions could result in damage to the product or vehicle and could result in serious injury to you and your passengers.

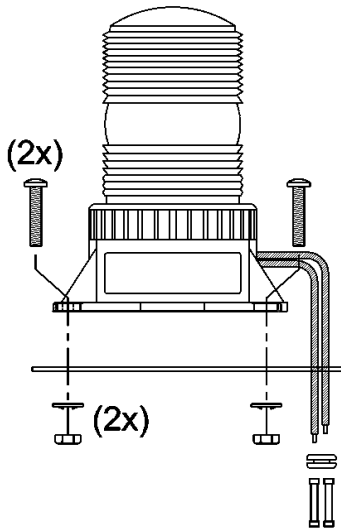
- Improper installation may result in serious injury, property damage, or death. The installer must have a good understanding of automotive electronics, systems, and procedures.
- If you are drilling any holes while mounting this light, please be sure to check both sides of the surface to ensure that you do not damage anything. Deburr all holes.
- Ensure that any switches used are located in an area that allows the vehicle and device to be operated safely in any driving condition.
- Use a minimum 18AWG wire for electrical connections and a 5A fuse at the power source, ensuring both positive and ground connections are dependable.
- Test the light and inspect all wiring each time you use the vehicle to ensure that it is functioning properly. If it is not functioning properly, do not operate the vehicle!!
- Use only soap and water to clean this product. Use of harsh chemicals could cause the domes to haze and may lead to diminished light output reducing the effectiveness. Do not use a power washer to clean this product.



This light uses high-intensity lights. DO NOT stare directly into the light while it is on, as momentary blindness and/or permanent eye damage may occur.

Permanent Mounting

1. Using the gasket as a template, mark the mounting holes.
2. Drill 7/32" holes in the marked locations.
3. If you will need wire hole, use a 10mm bit and install the wire grommet into that hole.
4. Secure the light as shown to the left, using the enclosed hardware.
5. Route the wires and connect them using the two butt splices provided.



Wiring



CAUTION !!

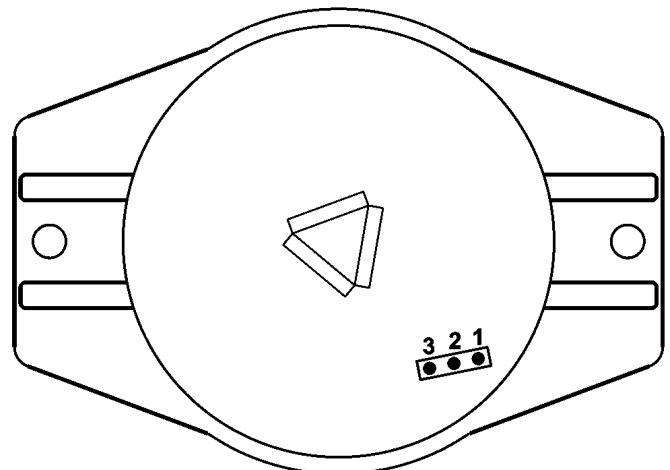
All of our DC powered warning lights are polarity sensitive. These lights are polarity protected *only if the appropriate fuse* is used. All wires connected to the positive terminal of the battery should be fused at the battery for their rated load. **Testing the light before this fuse is properly installed will void the warranty on the light.**

1. Connect the Red wire through your switch to a 12-72 VDC power source using a 5 amp fuse.
2. Connect the Black wire to a Good Chassis Ground.

Pattern Programming

To change patterns, **turn the power off**, remove the dome, and adjust the jumper accordingly.

- No Jumper = Single Flash
- Jumper on Pins 1 and 2 = Double Flash
- Jumper on Pins 2 and 3 = Quad Flash



Check out the collection of emergency and warning lighting we offer.