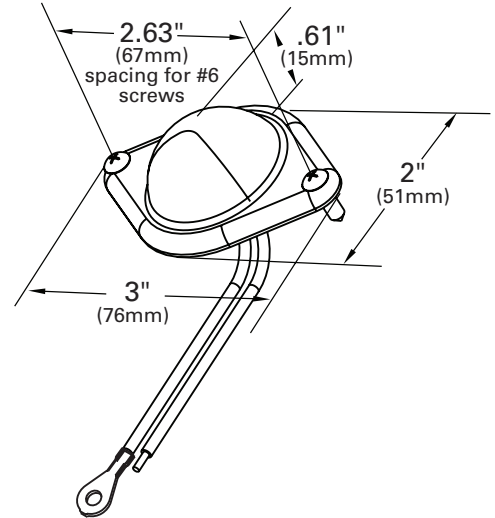


Hi Count[®] LED Courtesy Lamp

Product Information Sheet

INTERIOR LIGHTING



- Longer life than incandescent using LED technology to reduce maintenance costs

PRODUCT FEATURES AND BENEFITS

- Mounts using 2 #6 screws

PRODUCT SPECIFICATIONS

MATERIAL: STAINLESS STEEL
FINISH: STAINLESS
VOLTAGE AMP: 12V - .02 A

Part Number	Market	Light Source	Operating Voltage	Amperage	Interchange
G6261	ATV/Off-Highway	LEDs	12V	.02A	NA