

Mounting Instructions for HellaSupertone Horn

I. Mounting

1. Disconnect the earth lead of the battery while wiring the horns.
2. Mount the horns on a stable mounting site (bumper or vehicle body).
3. Relay: In order to avoid voltage drop, this should be fitted in a position free from splash water and with the terminals pointing downwards. (Hole for relay attachment -- self-tapping screw 2.7 mm dia.).

II. Wiring

1. **Wiring diagram 1:** Switching over from existing horn to supertone horns with Hella switch 6FG 002 315-002 or 6FG 002 315-001.

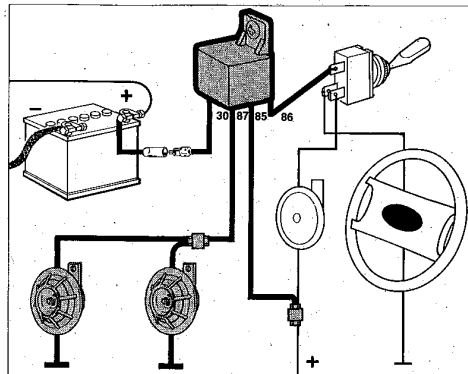
- 1 a) Horn push negatively connected to existing horn
- 1 b) Horn push positively connected to existing horn

2. **Wiring diagram 2:** The existing horn is replaced by supertone horns.

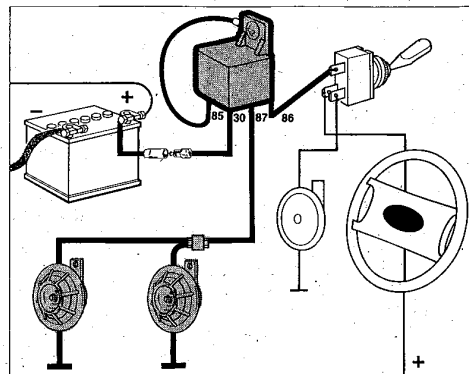
- 2 a) Horn push negatively connected to existing horn
- 2 b) Horn push positively connected to existing horn

3. Reconnect the earth lead of battery.
4. Check the installation.

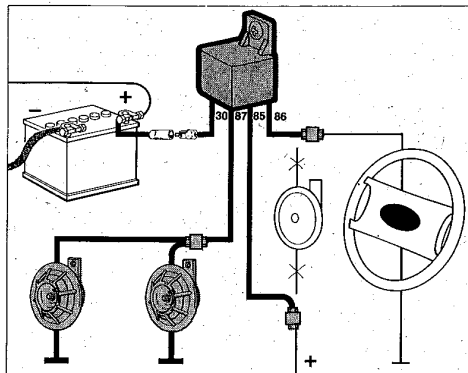
1a



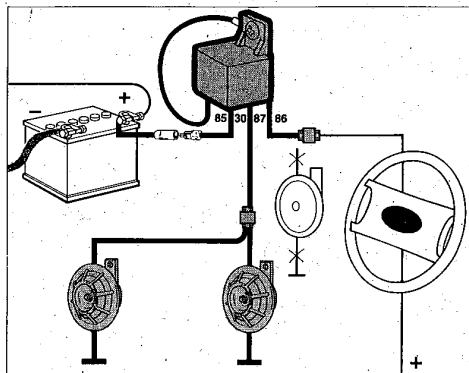
1b



2a



2b



×××××

Conducteur existant non utilisé
befintlig ledning bortfaller

