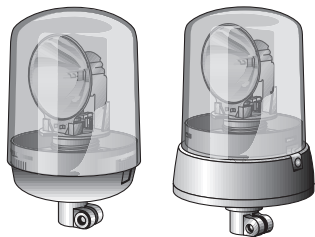




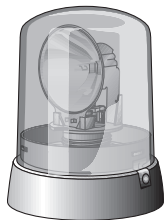
Mounting Instructions
for Rotating-Beam Lamps according to DIN 14620,
Types A, B1 and B2



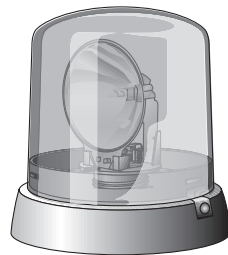
A



B1

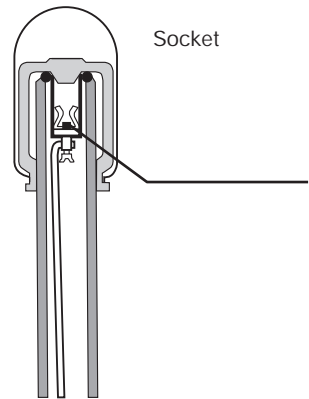
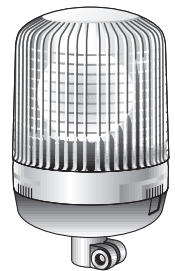


B2



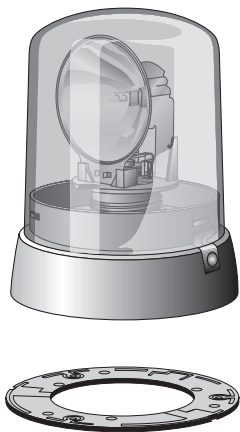
A

3

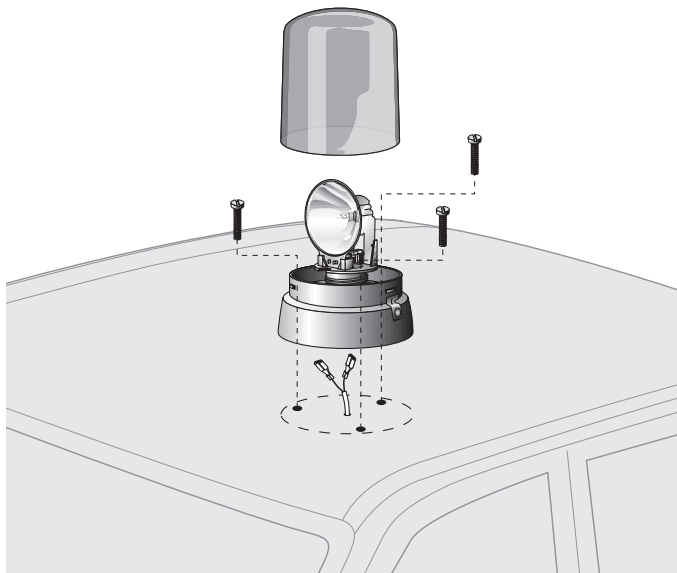


8 HG 002 365-001
8 HG 006 294-...

B1

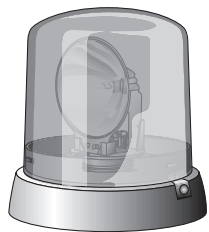


9GD 862 164-001



4

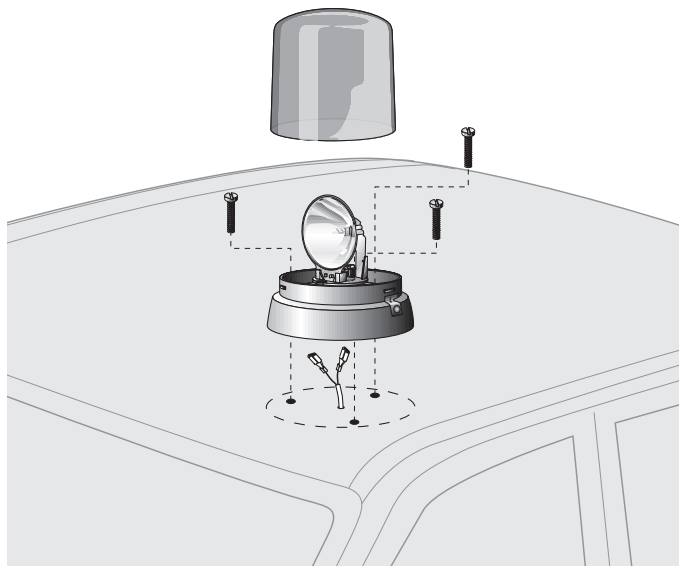
B2



9GD 862 178-001

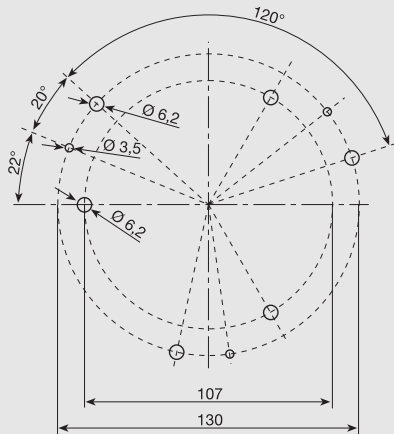


9GD 862 734-001

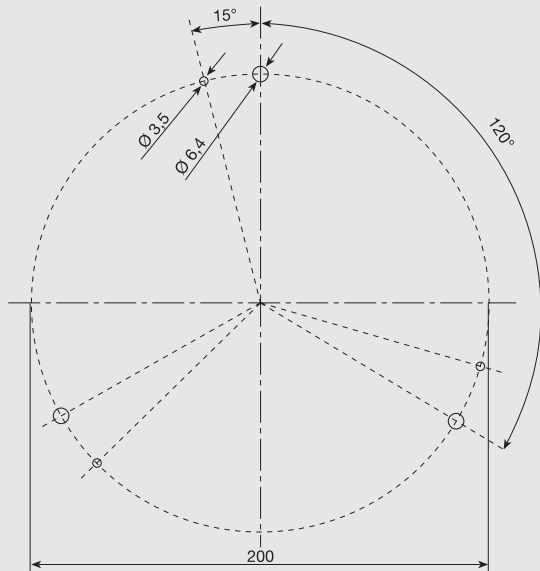


5

B1



B2



Rotating-beam lamps are type-tested within the scope of the German regulations (StVZO). They must be installed in the highest place on the vehicle and must be at right angles with the road.

If the visibility demanded by the German regulations (see StVZO) cannot be achieved because body extensions on the roof are in the way, a second rotating-beam lamp must be installed.

Hella rotating-beam lamps comply with radio interference suppression level 5 in accordance with German regulations (VDE 0879, Part 3).

Rotating-beam lamps with blue light dome: for all road users with priority rights such as police, fire brigade, ambulance cars, etc.

Rotating-beam lamps with yellow light dome: for public road maintenance vehicles, breakdown vehicles, long or wide vehicles, et.

Please note:

It is not necessary to remove the motor to install the beacon.

Page 3-6: Mounting

Mount the rotating-beam lamp on a surface which is parallel to the road. When correctly mounted, the beam of the rotating-beam lamp should be parallel to the road.

Rotating-beam lamp, type A
Attach the Hella attachment tube (Hella part no. 8HG 002 365-001 or 8HG 006 294-...) with built-in socket securely on the vehicle perpendicular to the road surface. Remove rubber cap, stick rotating beacon onto the attachment tube and screw tight.

Important:

max. tightening torque of the hexagon socket 3 - 5 Nm.

Rotating-beam lamp, types B1 and B2

Drill mounting holes and hole for entry cable according to hole pattern, the rubber base can be used as a drilling template.

Connect the positive lead with fuse (a fuse unit to DIN 72 581 - 8 A, b blade-type fuse - 10 A Little

Fuse) from the switch or tone-cycle switch to terminal 72 on the motor for the rotating beacon. Connect rotating beacon motor terminal 31 (negative) to vehicle earth (chassis). Ensure good electrical contact.

The rotating beacon can be screwed on with the rubber base

included using three M6 screws from the top and bottom or using three 4.2 mm dia. self-tapping sheet metal screws from the bottom.

Please note:

The beacon will only rotate if it is properly connected as described above.

Vehicle voltage	Cable sizes	Current consumption of complete appliance with halogen light	Buls required according to DIN 72 601 with Hella part no. Halogen light (cap P 14,5s), type H1
12 V 24 V	2,5 mm ² 1,5 mm ²	5,0 A 3,0 A	55 W 8GH 002 089-131 70 W 8GH 002 089-251

Changing the bulb

Unlock the light dome by pressing the locking button. Turn the light dome anti-clockwise and remove it. Replace the light-bulb. Replace the light dome back on and screw it on.

Important: Do not touch or dirty the inside surface of the reflector. Do not touch the bulb with your bare fingers.

One more tip:

Keep the domes clean. Dirt can absorb up to 80 % of the light.

Do you have spare bulbs and fuses in your vehicle?

If you have any questions or installation problems: Ring the Hella service department.