



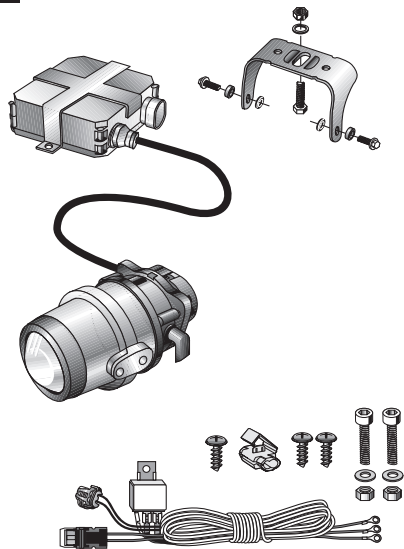
DE-Xenon

*Mounting instructions*

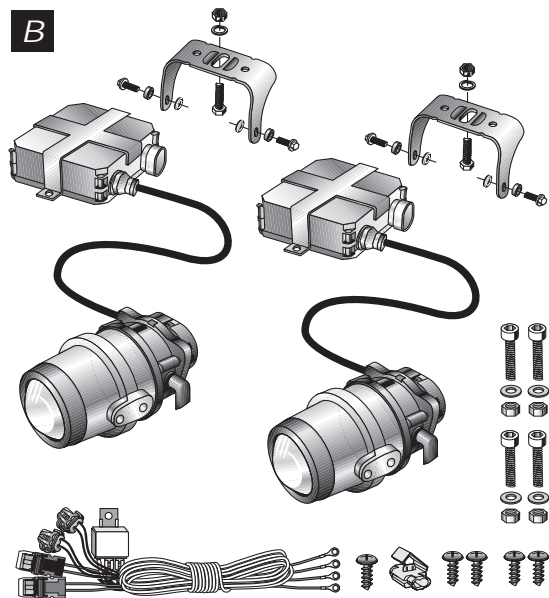


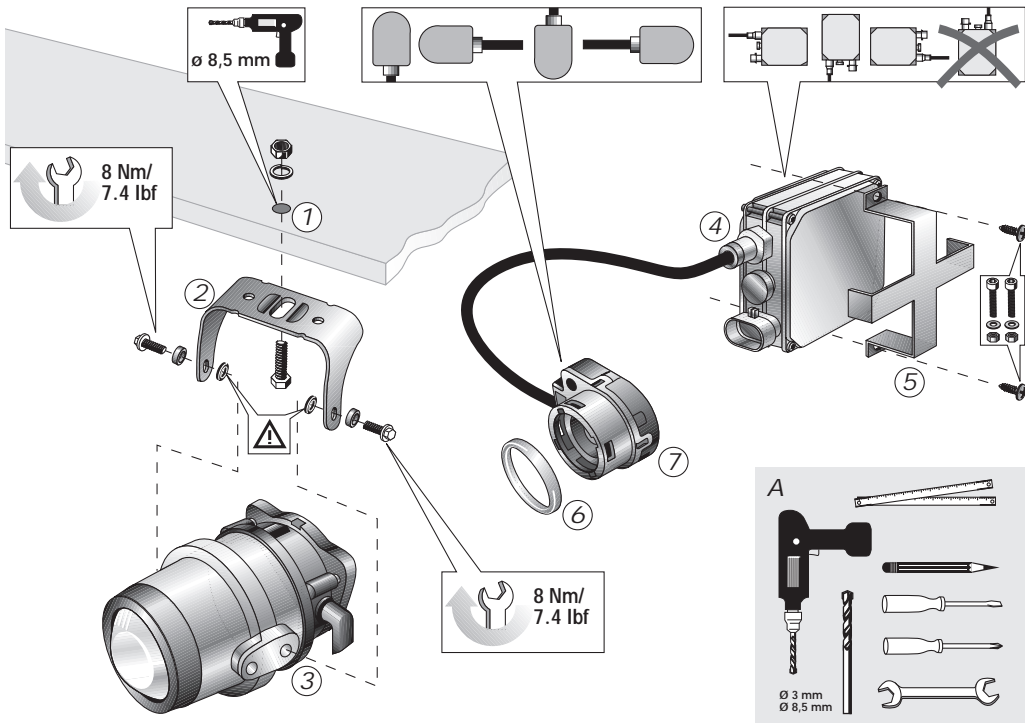
## Kit includes

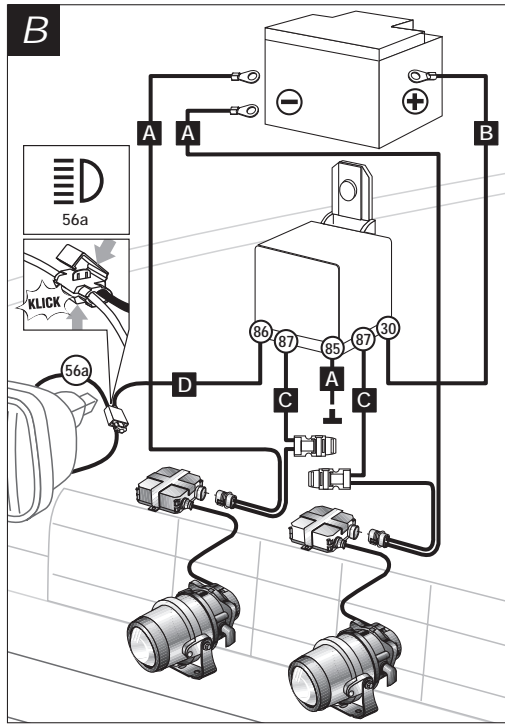
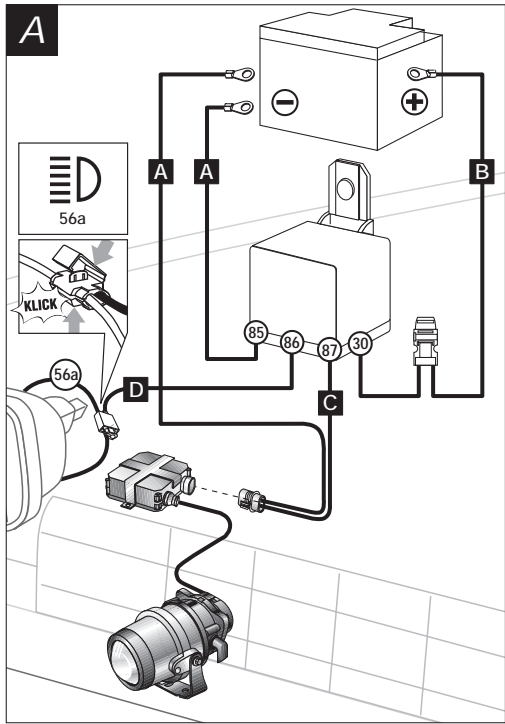
A

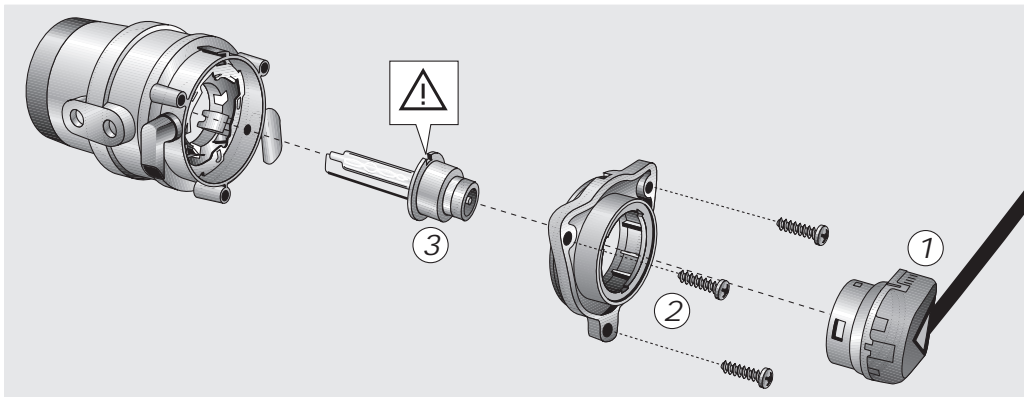


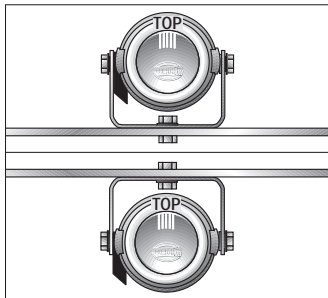
B









**Fig. A:** Assembly tools

For upright/pendant mounting. Lamps should neither vibrate nor extend higher than the bonnet and must be fitted symmetrically.

Determine mounting position and mark mounting points.

Drill pilot hole with 3 mm dia. bit and then bore out to 8.5 mm.

Protect drilled metal parts with rust protection paint.

Mount bracket and tighten bolts hand-tight ②.

Screw lamp in correct position ("Top" upwards, „Hella" visible, drain hole downwards) in pre-fitted holder and tighten hand-tight ③.

Attach ballast ④ with bracket ⑤ near the headlamp (max. length of cable 45 cm) in a location protected against splash water and from sight. Make sure the supply cable between headlamp and ballast is not twisted more than 90° and not bent with a radius of less than 20 mm.

Place sealing ring ⑥ onto plug ⑦, connect plug ⑦ to illuminant, secure.

## Page 4 Electrical equipment

**Abb. A:** Single headlamp

**Abb. B:** Headlamp set

**Cable colours:**

**A** = brown    **C** = blue

**B** = red        **D** = yellow/grey

Install relay using connecting terminals in a location protected against splash water.

Only use the special cable set supplied for electrical connection.

**First, disconnect the earth cable from the battery and then wire up in accordance with the wiring diagram.**

Reconnect battery earth lead (-). Check lights.

Align lamp, tighten screws and secure connecting leads.

When extending the cable set make sure the cross section is large enough.

The line resistance between ballast and battery must not be greater than 150 mOhm (for 12 V) or 300 mOhm (for 24 V).

## Safety instructions

### IMPORTANT!

The electrical connection between headlamp and ballast carries high voltage and must not be disconnected.

Always switch off the headlamp before changing the bulbs and disconnect from the power supply.

Never insert foreign objects or fingers into the plug.

The ballast must never be operated without a bulb, as dangerous voltage spark-over, which leads to damage, may occur at the plug. Allow the bulb to cool off.

Wear safety goggles and gloves when changing bulb.

The glass body of the xenon bulb is filled with various gases and metal gases under pressure (danger of splintering).

Never touch the glass bulb of the xenon lamp, touch the bulb at its base only.

Use a clean cloth and alcohol to remove any fingerprints from the glass bulb. Only operate the bulb in a closed headlamp.

## Page 5

### Replacing the xenon bulb

1. Screw connection plug and remove.
2. Loosen screw and remove bracket.
3. Replace illuminant.

Reassemble and tighten headlamp parts.

Dispose of used xenon bulbs as hazardous waste.

Check function and adjustment of the headlamps.

**Have the driving lamps adjusted at a workshop or service station. Only properly adjusted lamps provide optimum illumination.**

### A final tip:

Keep the cover lenses clean. Dirt can absorb up to 80% of the light output.

Do you carry reserve bulbs and fuses in your car?

If you have any questions or installation problems, contact your Hella stockist.