



Technology with Vision

## K-LED 40 COMPACT LED BEACON FIXED MOUNT



### OPERATION

**RED:** To +VDC Fuse @ 5A

**BLACK:** To Chassis Ground (-)

#### Flash patterns & Synchronization

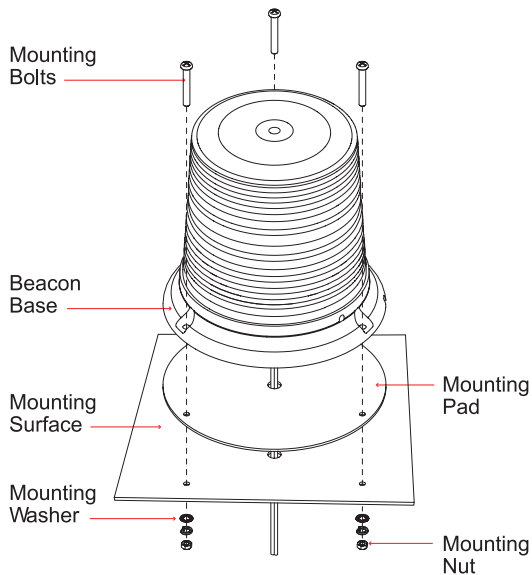
To change flash pattern open beacon dome and press small red button. Close dome carefully and make sure rubber seal is in place.

Flash Pattern #	Flash Patterns
1	8 Flash
2	Single
3	Double
4	Triple
5	Quad

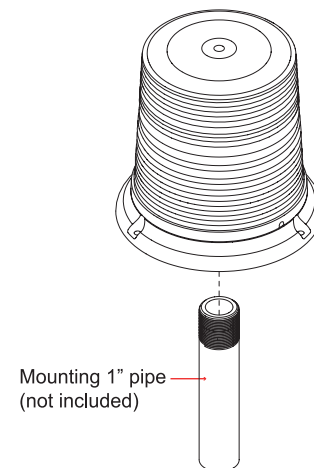
**Note:** This unit may not be factory set at Flash Pattern #1.

**Note:** Make sure to cover all unused bare wires.

### 3 Bolt Mount



### 1" Pipe Mount





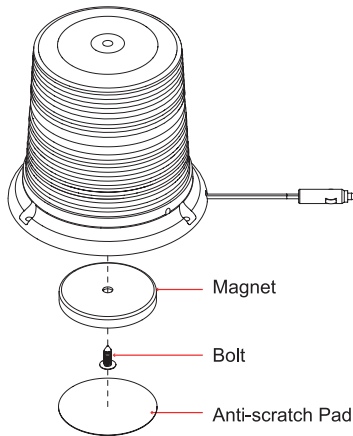
Technology with Vision

## K-LED 40 COMPACT LED BEACON TEMPORARY MOUNT

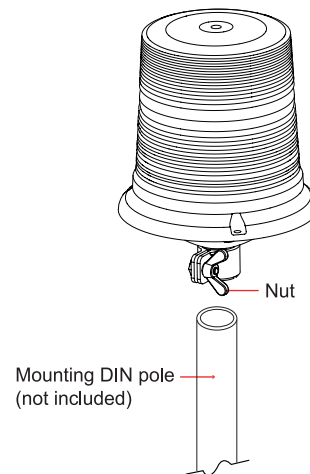


### FLASH PATTERN CHANGE

#### Magnetic Mount



#### DIN Mount



### 1. Open Beacon

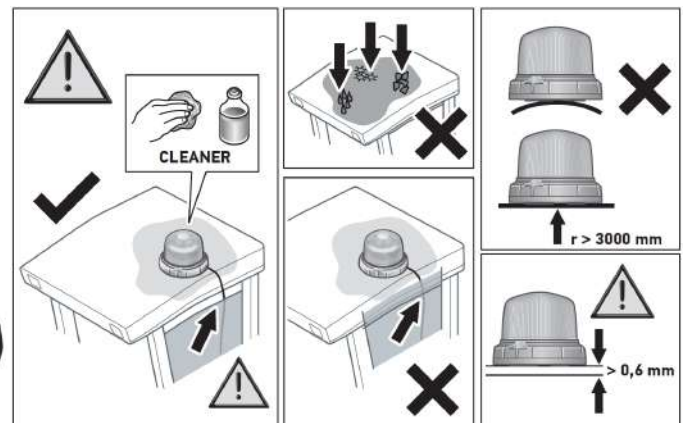
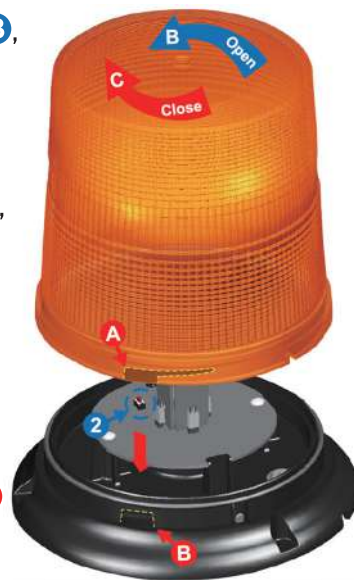
Twist dome counter-clockwise **B**, then lift dome to open.

### 2. Change Pattern

Momentarily push red button **2**, to change to next flash pattern. (see flash pattern chart)

### 3. Close Beacon

Align dome indent **A** with the base **B**, then twist clockwise **C** to close.



**WARNING:** It is not recommended to use magnetically mounted warning devices on the outside of vehicles in motion. Usage is at the sole risk and responsibility of the user.

Rely only on high-grade emergency and warning lighting offered on our virtual shelves.