



BRIEF INFORMATION

Super Tone Horn S70

- Combined long-range sound
- Small space-saver
- Outstanding size / performance ratio

PRODUCT FEATURES



- Effective sound
- Guaranteed brand quality
- Practice-proven service life

Special features

- Black housing
- Corrosion protection
- Compact sizes

TECHNICAL DETAILS

Technical specifications

Diameter



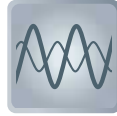
70 mm

Volume



112 dB (A)
@ 2 m

Audio frequency



340 / 420 Hz

Approval



ECE R28;
E9 006053

Voltage



12 V

Technical specifications

Small Car



Motorbike



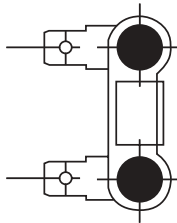
125 scooter / motorbike



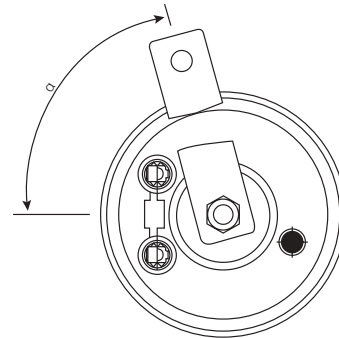
Scooter



Technical drawing



Drawing - connection H
6.3 mm flat plug, nickel-plated



Drawing - bracket position
(exemplary representation)

PROGRAM OVERVIEW

Part Number	Rated voltage (V)	Frequency (Hz)	Drawing - connection	Teflon pill	Housing colour	α : position of bracket ($\pm 5^\circ$), 0° = position of electrical connection
3AL 922 196-011	12	420	H	no	black	90°
3AL 922 195-021	12	340	H	no	black	90°