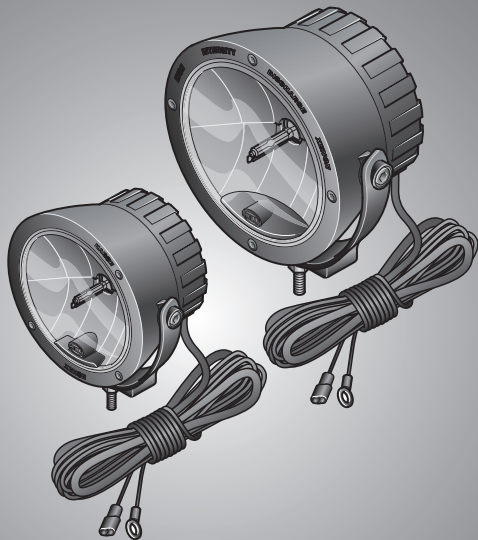


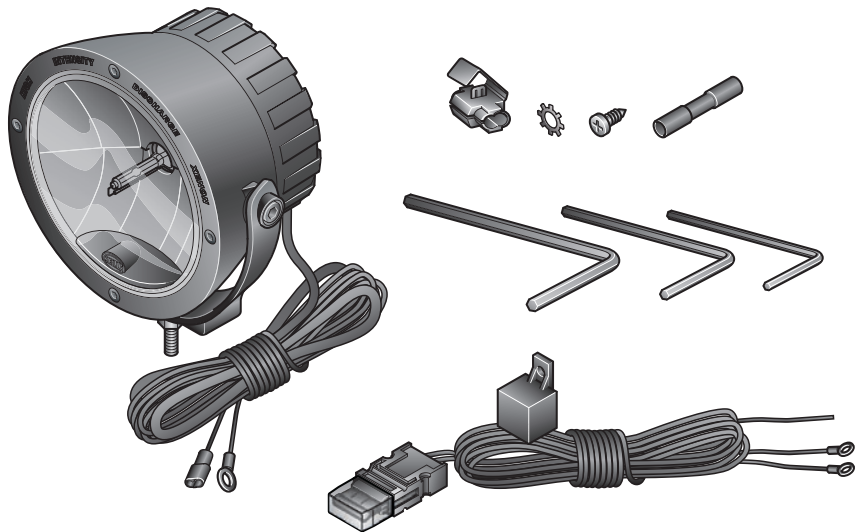
Mounting instructions
Driving lamps



RALLYE 4000i XENON
RALLYE 4000i COMPACT XENON

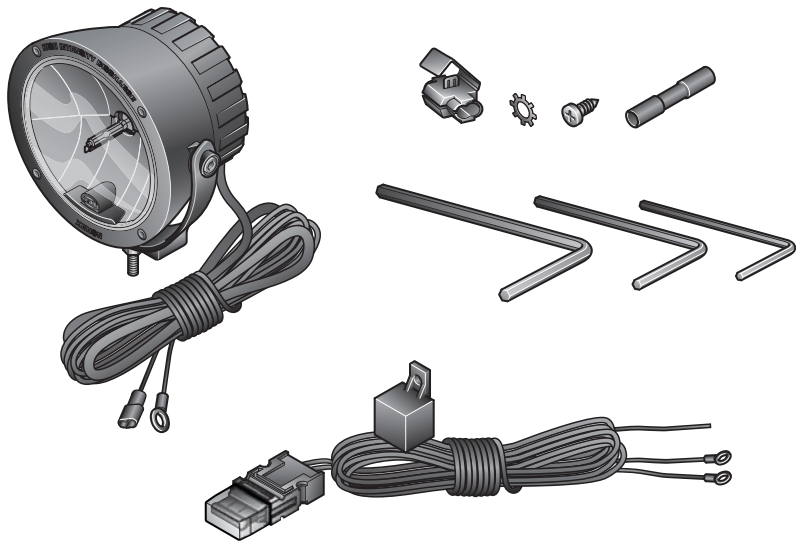


Kit includes



RALLYE 4000i XENON

Kit includes



RALLYE 4000i COMPACT XENON

Accessories

RALLYE 4000i XENON

red



9AG 147.939-031



9AG 147.939-061



8XS 147.945-011

red



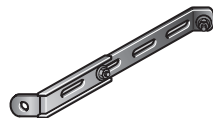
9AG 161.844-051



9AG 161.844-031

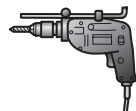
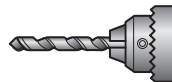


8XS 165.048-011

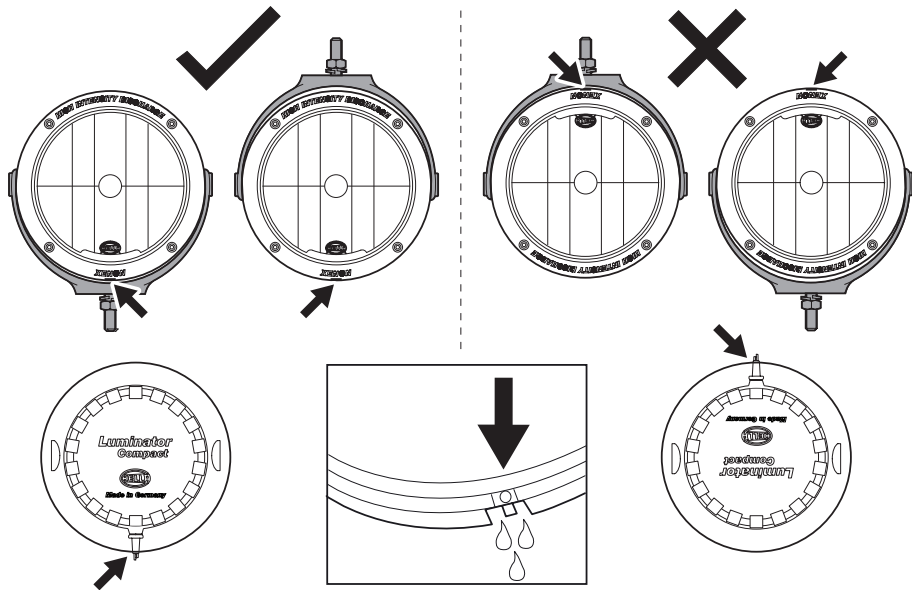


RALLYE 4000i COMPACT XENON

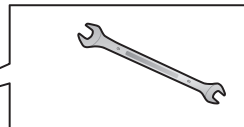
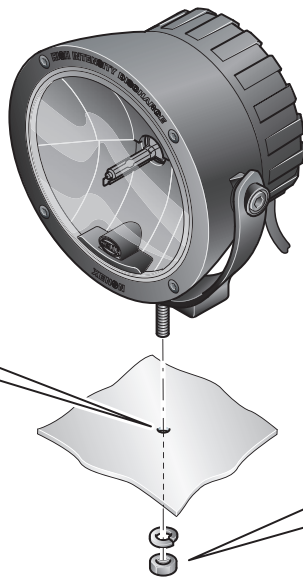
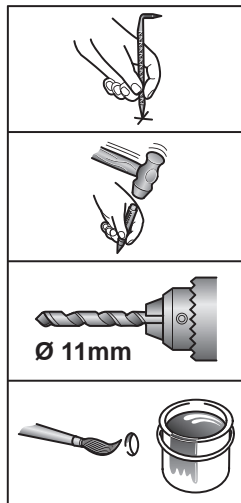
Installation tools required



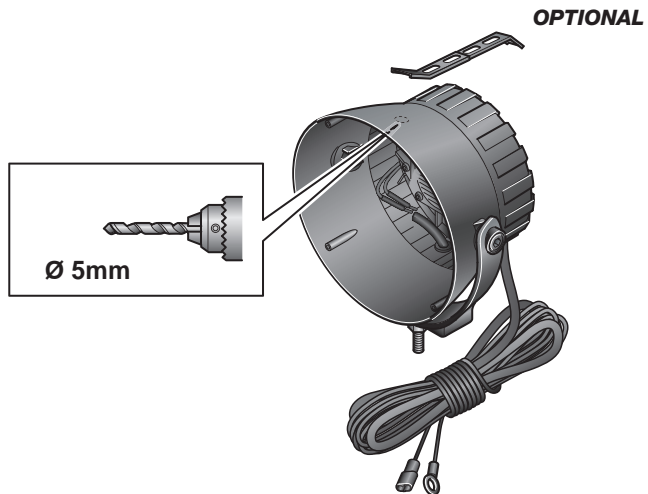
Mounting Steps



Mounting Steps



Mounting Steps



Electrical connection

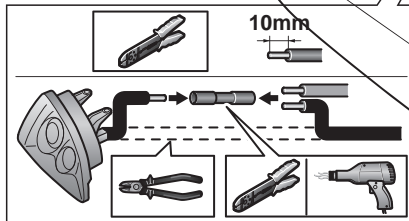
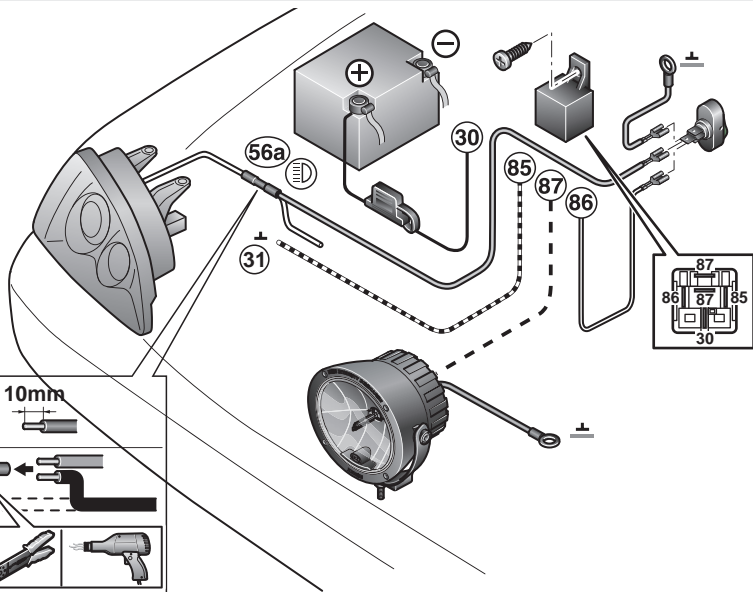
30 red

85 brown

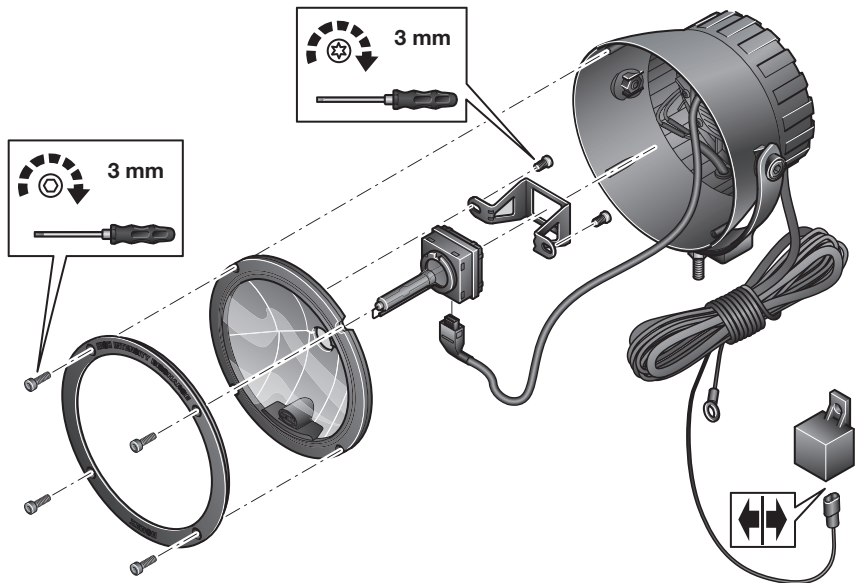
86 yellow/grey

87 blue

— brown

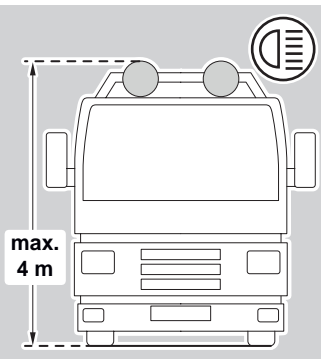


Bulb replacement



**Mounting steps:
Page 6, 7, 8, 15**

With regard to the mounting height, there are no special regulations for the lights.



It is possible to mount the lights in an upright or pendant position. The lights must not vibrate or jut out above the bonnet, and must be mounted symmetrically. Determine the mounting position and mark the fastening points. Drill using a 3 mm drill bit, and drill out to 11 mm.

Seal drilled metal parts with rust protection. When fitting the lights,

Ensure that the „TOP“ marking on the housing always points upwards. Light points upwards. Align the light in accordance with the drawing and tighten the screws.

Lay and connect the cables in accordance with the circuit diagram. According to circuit diagram **I**, the auxiliary lights are switched on together with the existing spotlights. According to circuit diagram **II**, the auxiliary lights are switched on in addition to the existing headlights via a separate switch.

It is however essential that country-specific laws are observed.

Check the lighting system, fasten the connection cables securely.

Have the spotlights adjusted at a specialist garage.

Only correctly adjusted lights provide optimum light.

**Electrical connection:
From page 9, 10**

Fit the relay with the connection terminals pointing downwards in a waterproof manner. If required and if legally permitted, fit a switch in the dashboard.

**Bulb replacement:
From page 11**

Replace bulb in accordance with the drawing. Do not touch bulbs with bare fingers! Use a paper towel or similar.

Safety notes:

Always switch off headlights and disconnect the supply voltage prior to replacing a bulb.

IMPORTANT!
Never operate the ballast without bulb as this may cause dangerous breakdown voltages at the plug which will cause damage.

Let the bulb cool down. Use protective goggles and safety gloves to replace the bulb.

Xenon glass bulbs are filled with various gases and metal vapours and are pressurised (splinters). Never touch the xenon glass bulb, only touch the bulb base. Carefully remove any fingerprints on the glass bulb with a clean cloth and alcohol. Only operate the bulb in a closed headlight.

If a xenon bulb breaks in a closed room (garage), then you should leave the room for 20 minutes and air it to prevent any risk to your health from toxic gases.

Xenon bulbs are hazardous waste and must be disposed of properly.

If the bulb is defective, but the glass bulb is still intact, then it must be disposed of as hazardous waste, because the gas/metal vapour mixture contains mercury and is very toxic when inhaled.

If the glass bulb is destroyed, e.g. in an accident, then the xenon bulb can be disposed of as normal

waste, because the mercury has vanished. Dismantle the glass retention frame and remove the headlight insert. Pull the plug and unscrew the holding bracket.

Replacing the xenon bulb **Fig. page 11**

Do not touch the bulb with your fingers! Use a paper tissue or similar.

Screw the holding bracket on and reinstall the plug.

Dispose of used xenon bulbs as hazardous waste.

To guarantee an optimal beam pattern, make sure the "TOP" marking on the headlight insert faces up when installing the headlight insert. Now put on the glass retention frame.

The locking lug must point in the direction of the base.

Have the headlights adjusted at a garage or petrol station.

Only correctly adjusted headlights will provide optimal light.

A useful tip:

Keep the cover lenses clean. Dirt may absorb up to 80% of the light emitted.