

8 7 6 5 4 3 2 1

D

D

C

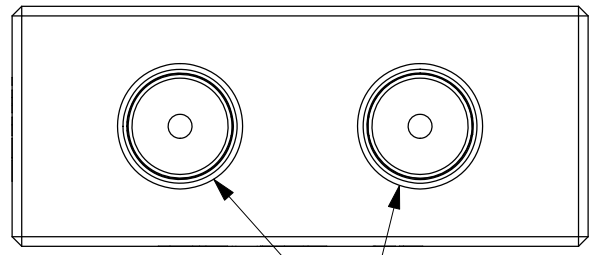
C

B

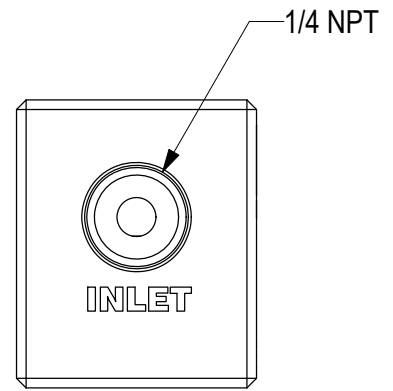
B

A

A

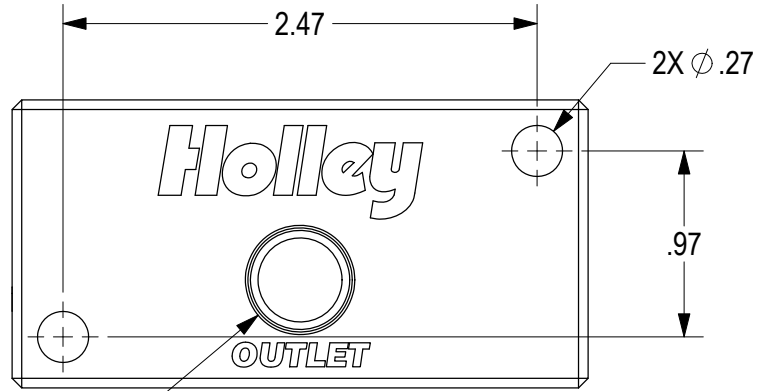


SOLENOID BORES



1/4 NPT

INLET



OUTLET

1/4 NPT

2X ϕ .27

2.47

.97

8 7 6 5 4 3 2 1