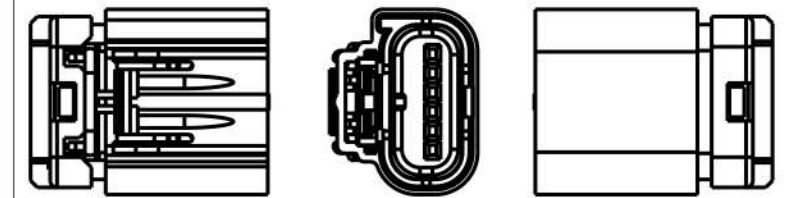
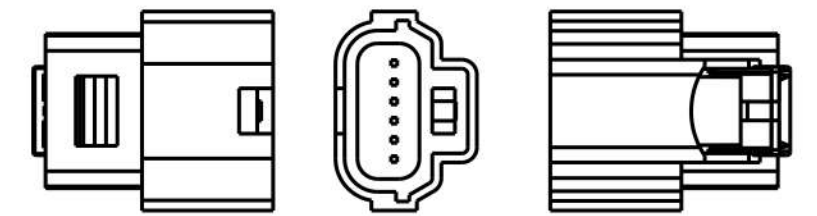
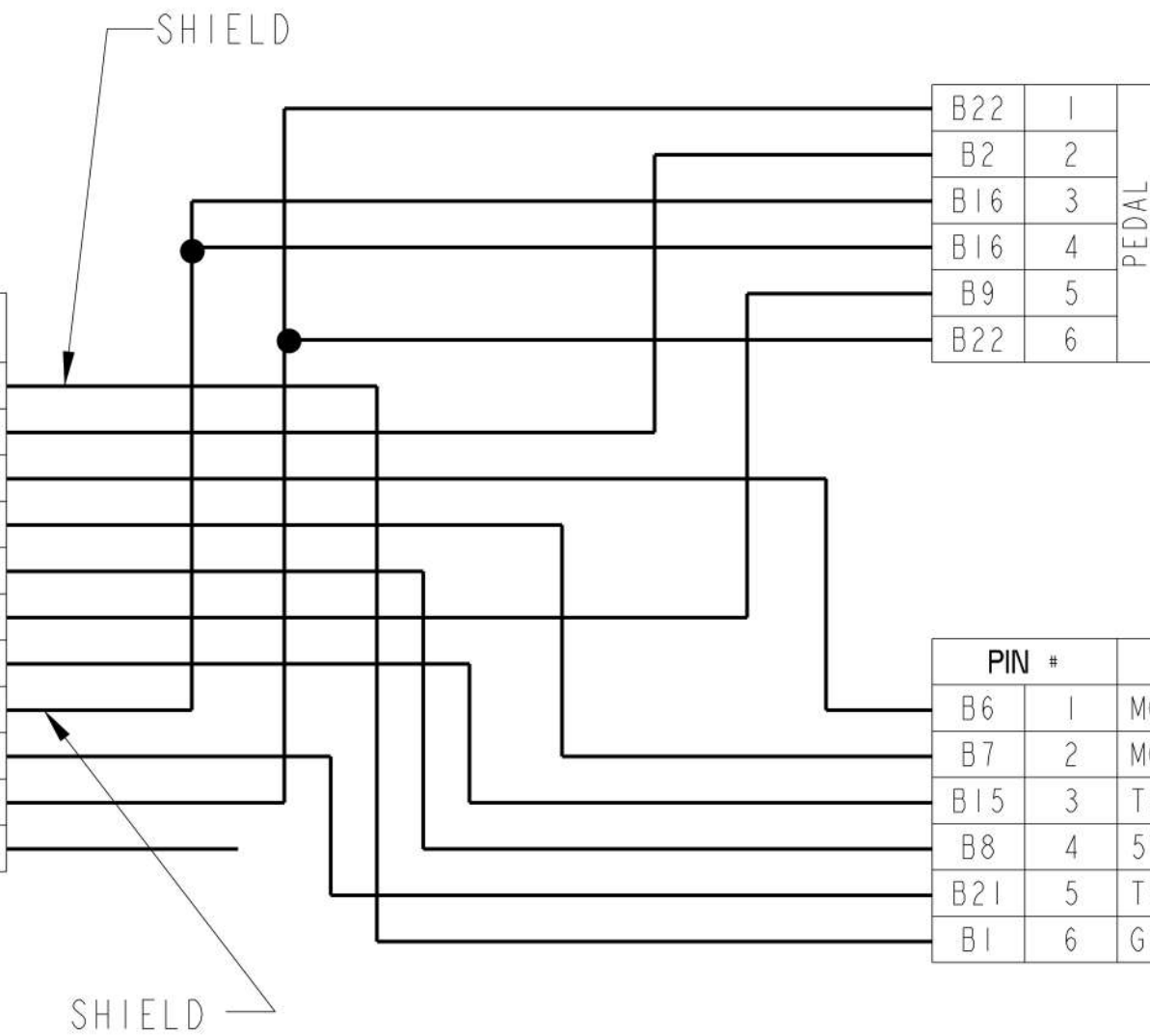


DESCRIPTION	COLOR	WIRE GAUGE	PIN #
SENSOR GROUND	BLACK/SHIELD	22	B1
PEDAL TPS #2	BLUE	22	B2
FORCE MOTOR 1A	YELLOW	18	B6
FORCE MOTOR 1B	ORANGE	18	B7
SENSOR +5V	RED	22	B8
PEDAL TPS #1	YELLOW	22	B9
TB TPS #2	BROWN	22	B15
SENSOR GROUND	BLACK/SHIELD	22	B16
TB TPS #1	WHITE	22	B21
SENSOR +5V	ORANGE	22	B22
BRAKE SWITCH	RED/WHITE	22	B24



Looking for dependable performance fuel system parts? Rely on Holley for quality and long-lasting products.