



**2020**  
**TOWING & RV**  
**PARTS & ACCESSORIES**  
**CATALOG**







<b>4</b>	<b>Husky</b>	TOWING
<b>68</b>	<b>Suspension Pro</b>	ELECTRIC TONGUE JACKS
<b>70</b>	<b>Powerhouse</b>	POWER GENERATION
<b>75</b>	<b>Arcon</b>	ELECTRICAL
<b>86</b>	<b>Aqua Pro</b>	FRESHWATER
<b>90</b>	<b>Duraflex</b>	SANITATION
<b>94</b>	<b>Tote N Stor</b>	SANITATION
<b>97</b>	<b>Faulkner</b>	OUTDOOR LIVING
<b>108</b>	<b>Ventmate</b>	VENTILATION ACCESSORIES



**2020**  
**NEW**  
**PRODUCTS**

PAGE  
**11**

## WIRELESS MAGNETIC TOW LIGHTS

Long lasting built-in rechargeable lithium battery powered LED's on super strong magnetic bases for tow ready convenience



PAGE  
**26**

## 7-WAY JUNCTION BOX

Fast, easy installation of your trailer 7-way connection, in a rugged, weather resistant housing



PAGE  
**81**

## LED PORCH/UTILITY LIGHTS

8 new LED porch/utility lights with base and lens color options



PAGE  
**91**

## SEWER HOSE KITS UPGRADES

Superior quality upgraded sewer hose kits include required hook-up accessories



PAGE  
**98**

## LED THEMED DECORATIVE LIGHTING

7' & 4.5' Palm trees and 2' Pink flamingo LED lights add a festive look to your outdoor space (see previous page)

PAGE  
**99**

## SCREEN DOOR PUSH BARS

White or black with aluminum handle expands or contracts for a custom fit with hardware included



# TOWING

## INDEX

- Ball Mounts **6-8**
- Brake Assemblies **20-22**
- Brake Controllers **24-25**
- Cargo Carriers & Bike Racks **37-38**
- Couplers **19**
- Fifth Wheel Hitches **14**
- Fifth Wheel OEM Hitches **12**
- Fifth Wheel Rollers and Gliders **15**
- Gooseneck Accessories **11**
- Hitch Accessories **10**
- Hitch Balls **9**
- Hitch Shanks **18**
- Idle Hub Kits **23**
- Jacks & Stabilizers **34-36**
- Magnetic Towlights **10-11**
- Plan O Grams & Displays **38-40**
- Puck Adapters & Crossmembers **13**
- Receiver Hitches **5**
- Weight Distribution **16-17**
- Wiring & Accessories **26-33**

## Reference

- Brake and Axle Replacement Parts **58-66**
- Brake Control Custom Wiring Harnesses **57**
- Fifth Wheel Components **54**
- Fifth Wheel Custom Bracket Kits **55-56**
- Fifth Wheel Hitch Replacement Parts **49-53**
- Receiver Hitch Fitment Guide **41-48**

## CLASS III RECEIVER HITCHES

130 MODELS AVAILABLE!

Husky® offers a full line of unique hitch models to provide a custom fit for nearly every vehicle on the road today. Husky® receiver hitches are engineered and rigorously tested to SAE J684 standards for safety. Each hitch is protected inside and out with an industry-leading, rust-resistant finish.

- Manufactured with a vehicle-specific design for a custom fit
- Precisely welded for superior strength and fit
- Co-cured in a rust-resistant liquid Bonderite® coating
- Strengthened with a welded, seamless collar
- Open-back receiver for easy cleaning
- Limited lifetime warranty

See pages 41 thru 48 for a detailed Receiver Hitch fitment chart.



### DISPLAY

This point of purchase display is designed to showcase five Husky® 2" receiver hitches. Included header card supplies customers with Husky® product information and specifications. Hitches are sold separately.

**DISPLAY HOLDS:** 5 Husky® Receiver Hitches

72-2664 90340 Husky® Receiver Hitch Display

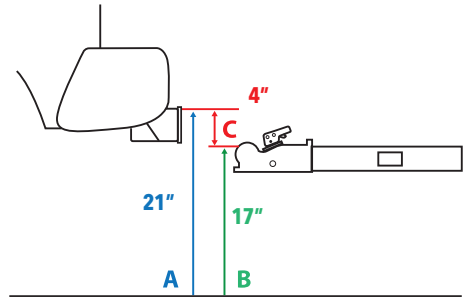
## BALL MOUNTS

Ball mounts vary by weight rating, shaft length, and rise/drop measurements. Husky's Class I, II, III & IV Ball Mounts are manufactured with a precise rise or drop to suit each of the applications. Rise/drop measurements become important in Class III and IV, and Husky offers you a wide range of rise/drop choices. Weight rating is limited to vehicle tow rating; see vehicle owner's manual.

PART #	MFG #	BALL THREAD DIAMETER	LENGTH	RISE	DROP	WEIGHT RATING
<b>CLASS II 1-1/4" SQ. BALL MOUNTS: BLACK POWDER COAT FINISH</b>						
14-1118	31341	3/4"	6-5/8"	5/8"	1-1/4"	3,500lbs (1588kg)
14-1467	31342	3/4"	7-7/8"	2-1/4"	2-7/8"	3,500lbs (1588kg)
<b>CLASS II/III/IV 2" SQ. BALL MOUNTS: BLACK POWDER COAT FINISH</b>						
14-1121	31357	1"	8"	3/4"	2"	6,000lbs (2722kg)
14-1123	31359	1"	6-3/4"	2"	3-1/4"	6,000lbs (2722kg)
14-1124	31360	1"	9"	1"	2-1/4"	6,000lbs (2722kg)
14-1122	31358	1"	10"	3"	4-1/4"	5,000lbs (2268kg)
14-1125	31361*	1"	9"	*	8"	3,500lbs (1588kg)
14-1126	31362	1"	10-1/2"	1"	2-1/4"	6,000lbs (2722kg)
14-1127	31363	1"	11-1/2"	4-3/4"	6"	5,000lbs (2268kg)
14-1135	31369	1"	12"	1"	2-1/4"	6,000lbs (2722kg)
<b>CLASS V 2.5" SQ. BALL MOUNTS: BLACK POWDER COAT FINISH</b>						
71-5213	33004	1-1/4"	9-1/2"	1"	2-1/2"	12,000lbs (5443kg)
71-5214	33005	1-1/4"	9-1/2"	3-1/4"	4-3/4"	12,000lbs (5443kg)
<b>STRAIGHT ECONOMY BALL MOUNT</b>						
14-1131	31364	1"	8"	3/4"	2"	6,000lbs (2722kg)

\*Not to be used in rise position.

Limited lifetime warranty



A: Measure from the ground to the top of the hitch.

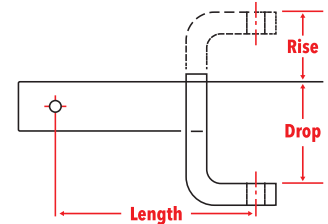
B: Measure from the ground to the INSIDE top of the trailer coupler (when level)

C: Determine the "DROP" or "RISE"

DROP: if the coupler is LOWER than the hitch:  
ADD the height of the hitch ball (usually 3")

RISE: if the coupler is HIGHER than the hitch:  
SUBTRACT: the height of the hitch ball (usually 3")

EXAMPLE: a 7" DROP is needed to make this trailer level.  
4" (Hitch - Coupler) + 3" (Hitch Ball Ht.) = 7" (DROP)



FOR BALL MOUNT RISE:

A = Distance from ground to bottom of trailer coupler.

B = Distance from ground to top I.D. of the receiver tube opening.

C = Amount of rise necessary to keep trailer level.

FOR BALL MOUNT DROP:

A = Distance from ground to bottom of trailer coupler.

B = Distance from ground to top I.D. of the receiver tube opening.

C = Amount of drop necessary to keep trailer level.





### PRE-TORQUED TOW KITS

Class IV. Fits 2 Inch Receiver. 6000 lbs. GTW. Non-swivel; non-extendable. 1 Inch ball shank diameter; with 2 inch ball; powder-coated black steel; includes pin and clip.

- 14-1132 31366 2" Ball, 2" Drop, 3/4" Rise
- 14-1133 31367 2" Ball, 3-1/4" Drop, 2" Rise



### ADJUSTABLE BALL MOUNT KIT WITH BALL PLATFORM

Includes a solid steel ball mount accessory, and accepts 1" tube diameter, hitch balls (not included). Adjustable 6-3/4 Inch Drop or 5-1/4 Inch Rise. GTW: 6000 lbs. Two high strength clevis pins allows for easy removal and swift interchangeability of accessories and height adjustments. Rust resistant powder-coat finish.

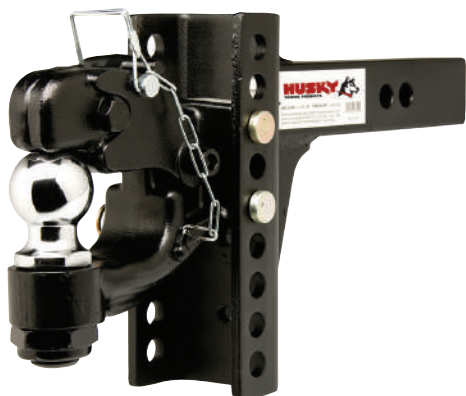
- 71-5261 33108 2" Receiver



### PINTLE COMBO

Includes a solid forged steel pintle combo with ball. Easy removal and swift interchangeability of accessories and height adjustments. Rust-resistant powder-coat finish.

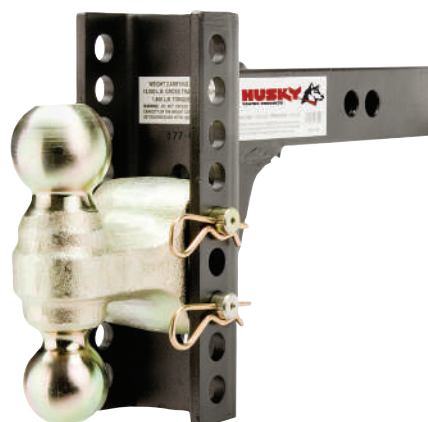
- 71-5266 33113 2" Ball  
10,000 lbs. GTW
- 71-5267 33114 2-5/16" Ball  
13,000 lbs. GTW



### ADJUSTABLE BALL MOUNT/PINTLE COMBO KIT

Includes a solid forged steel pintle combo with ball, and 2 clevis pins for easy removal and swift interchangeability of accessories and height adjustments. Rust-resistant powder-coat finish.

- 71-5262 33109 2" Receiver, 2" Ball  
10,000 lbs. GTW
- 71-5263 33110 2" Receiver, 2-5/16" Ball  
13,000 lbs. GTW



### ADJUSTABLE BALL MOUNT KIT WITH DUAL BALL

Quick, easy to adjust. Solid 2" shank platform fits 2" receivers. Works with pintle hook combo balls, clevis mounts and more. Includes a solid steel, 2-5/16" ball (14,000 lbs. GTW.) and a 2" ball (10,000 lbs. GTW).

- 71-5260 33104 2" Receiver



**HUSKY**  
TOWING PRODUCTS

**switch  
hitch**

*The Switch Hitch by Husky® offers three ball sizes: 1-7/8", 2", 2-5/16"*

*Quickly switch from one ball to another through a patented switching and locking mechanism.*

## One quick **switch**. One tough **hitch**.

No fumbling between setups. The Switch Hitch by Husky® has a solid core with a swivel design making it faster to switch over than any other tri-ball trailer hitch.

2"/51mm ball  
6,000lbs./2722kg  
Gross Towing Weight



1-7/8"/48mm ball  
2,000lbs./907kg  
Gross Towing Weight

2-5/16"/59mm ball  
10,000lbs./4536kg  
Gross Towing Weight

US Patent No. 8366.133B2

### Standard Features:

- Powder Coated Finish
- Indexing Pin Design
- Grease Fitting
- Class IV Tested
- Patented 3-Ball Swivel System
- Limited Lifetime Warranty

71-8550 33140 Switch Hitch



**PULL**

Simply pull spring loaded pin to unlock switching mechanism.



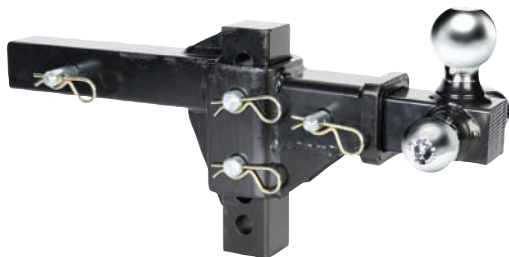
**SWITCH**

Switch to the correct size ball and release locking pin.



**LOCK**

Correct size ball is now locked in place and ready to go!



### TRI-BALL ADJUSTABLE BALL MOUNT

- Chrome ball, zinc plated hardware
- Black powder-coat finish
- Head adjusts up and down on a reversible shank
- Anti-rattle adjustment bolt on the head
- Easy pull pin adjustment
- 1-7/8" Ball: 2,000 lb. capacity, 2" Ball: 6,000 lb. capacity and 2-5/16" Ball: 10,000 lb. capacity
- All hardware included
- Weight rating is limited to vehicle tow rating; see vehicle owner's manual

14-1113 30001 Tri-Ball adjustable mount



### TRIPLE TOW BALL MOUNT

- Black powder-coat finish
- 8" pin hole to 2-5/16" ball
- 7" pin hole to other balls
- 12" overall shank length
- 1-7/8" Hitch ball rating: 2,000 lb., 2" Hitch ball rating: 5,000 lb. and 2-5/16" Hitch ball rating: 10,000 lb.
- Class IV

14-1119 31349 Triple tow ball mount



### DOUBLE TOW BALL MOUNT

- Chrome ball, zinc plated hardware
- Black powder-coat finish
- 8" pin hole to ball center
- 2" trailer ball and 2-5/16" hitch ball rating 5,000 lb.
- Class III

14-1113 30001 Double tow ball mount

## SOLID STEEL HITCH BALLS

- Forged from a single piece of solid steel
- Durable chrome plated finish
- Various shank lengths
- Accommodates a variety of ball platform thicknesses
- Rated from Class I to Class IV
- Designed with "wrench flats" for ease of installation
- Tested to SAE J684 standards
- Includes lock-washer and nut



30601

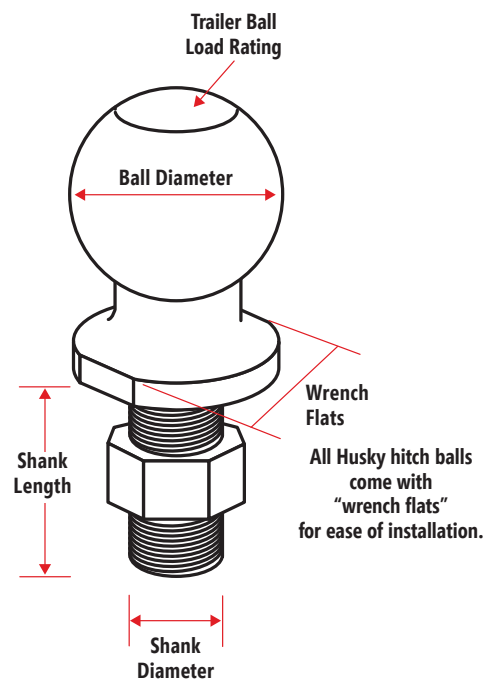
PART #	MFG #	SHANK DIAMETER	SHANK LENGTH	MAX GROSS TRAILER WEIGHT	BALL PLATFORM	PKG/BULK
<b>1-7/8" BALL DIAMETER</b>						
14-1057	34915	3/4"	1-3/4"	2,000lbs (907kg)	3/8"-3/4"	Pkg
14-1320	33844	3/4"	1-3/4"	2,000lbs (907kg)	3/8"-3/4"	Bulk
14-1053	33846	1"	2-1/8"	2,000lbs (907kg)	3/8"-3/4"	Bulk
<b>2" BALL DIAMETER</b>						
14-1059	34917	3/4"	1-3/4"	3,500lbs (1588kg)	3/8"-3/4"	Pkg
14-1321	33849	3/4"	1-3/4"	3,500lbs (1588kg)	3/8"-3/4"	Bulk
14-1322	33850*	3/4"	2-5/16"	3,500lbs (1588kg)	1/2"-1-3/8"	Bulk
14-1060	34918	1"	2-1/8"	6,000lbs (2722kg)	3/8"-3/4"	Pkg
14-1054	33851	1"	2-1/8"	6,000lbs (2722kg)	3/8"-3/4"	Bulk
14-1458	32913	1"	2-1/8"	7,500lbs (3402kg)	3/8"-3/4"	Bulk
14-1325	34924	1"	2-7/8"	6,000lbs (2722kg)	3/4"-1-3/4"	Pkg
14-1323	33852	1"	2-7/8"	6,000lbs (2722kg)	3/4"-1-3/4"	Bulk
14-1459	32914	1"	2-7/8"	7,500lbs (3402kg)	3/4"-1-7/8"	Bulk
14-1051	30601**	1"	N/A	5,000lbs (2268kg)	N/A	N/A
14-1055	33853	1-1/4"	2-5/8"	8,000lbs (3629kg)	1/2"-1"	Bulk
<b>2-5/16" BALL DIAMETER</b>						
14-1061	34919	1"	2-1/8"	6,000lbs (2722kg)	3/8"-3/4"	Pkg
14-1056	33855	1"	2-1/8"	6,000lbs (2722kg)	3/8"-3/4"	Bulk
14-1050	30255	1-1/4"	2-5/8"	12,000lbs (5443kg)	3/8"-1"	Pkg
14-1062	39386	1-1/4"	2-5/8"	12,000lbs (5443kg)	3/8"-1"	Bulk
14-1319	30678	1-1/4"	2-5/8"	14,000lbs (6350kg)	3/8"-1"	Bulk

\*Required for certain step bumper equipped pickups w/ball platforms thicker than 3/4". Always use a lock-washer and tighten nut with a torque wrench to proper torque.

\*\*Lift Height 1".

Follow these easy steps to properly determine the correct hitch ball for your application:

- Determine Ball & Coupler Size;** Most couplers are stamped with the required hitch ball size. The sizes you'll most likely find stamped in the coupler are: 1-7/8", 2", 2-5/16".
- Gross Trailer Weight (GTW);** Select the appropriate hitch ball to match or exceed the Gross Trailer Weight rating of the trailer.
- Match the Hitch Ball Shank to the Ball Platform Thickness & Hole Size;** When mounted in the ball platform, the threaded ball shank must protrude beyond the bottom of the lock washer and nut at least two threads.
- Hole Size;** The hitch ball shank must be matched to the platform hole diameter size. Standard hole sizes are: Class I: 3/4" diameter; Class II: 3/4" diameter; Class III/IV: 1" diameter; Weight Distribution: 1-1/4" diameter.



All Husky hitch balls come with "wrench flats" for ease of installation.

**HITCH BOX ADAPTERS AND ACCESSORIES**



**1-1/4" - 2" HITCH BOX ADAPTER**

Install 2" accessories into a 1-1/4" hitch box.  
14-1117 32848 1-1/4" to 2" Adapter



**2" - 1-1/4" HITCH BOX ADAPTER**

Install 1-1/4" accessories into a 2" hitch box.  
14-1114 32849 2" to 1-1/4" Adapter



**2" HITCH BOX EXTENSION**

Extend a 2" hitch box an additional 12".  
14-1116 32850 2" Extension



**3" - 2" REDUCER**

72-7606 33129 3" to 2" Reducer



**3" - 2.5" REDUCER**

72-7607 33131 3" to 2.5" Reducer



**2.5" - 2" REDUCER**

72-7608 33133 2.5" to 2" Reducer



**LOCKING RECEIVER PINS**

Locking trailer hitch pin with dust cap.  
20-0558 34819 1/2" Pin Diameter  
Fits 1-1/4" Receivers  
72-5878 33159 5/8" Pin Diameter,  
Fits 2"-2-1/2" Receivers  
72-5879 33160 5/8" Pin Diameter,  
Super Duty  
Fits 3" Receivers



**HITCH PINS**

Replacement pin and clip.  
15-1492 34521 1/2" Pull Pin & Clip, Crd/1  
15-1472 33792 Spring Clip, Bulk  
14-1195 34853 Spring Clip Pkg/2  
15-1474 33253 1/2" Hitch Pin Only, Bulk  
15-1473 33790 5/8" Pin & Clip, Crd/1  
15-1569 33791 5/8" Pull Pin Only, Bulk



**5TH WHEEL KING PIN LOCK**

Protect your 5th wheel. Slide the U bracket into the grooved portion of the king pin and insert the lock pin.  
72-5880 33161 5th Wheel King Pin Lock



**RECEIVER CAPS**

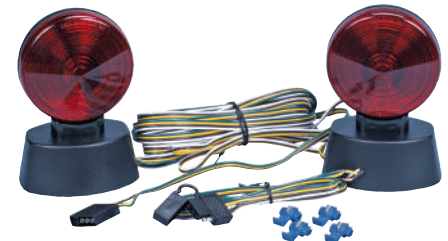
Durable plastic caps protect and conceal receiver opening when not in use.  
14-0980 38446 2" Pinned, Black  
14-0979 38445 2" Pinned, Chrome  
14-0978 38444 1-1/4" Push-in, Black  
14-0977 38443 2" Push-in, Black



**PIN COUPLER LOCK**

- Easy to install theft-deterrent to protect your investment
- Fits most straight and A-frame coupler latches
- Solid die cast zinc body with high quality brass plated finish
- Weather-resistant brass 5-pin tumbler lock
- Convenient lock adjustment at every 1/4 turn of the key
- Quick and easy installation: no holes to drill and no tools required

20-0606 38958 Coupler Lock, 1/cd



**MAGNETIC TOWING LIGHTS**

- Magnets come with an e-coated magnet cap to eliminate rust
- Includes plug cover to keep dirt and corrosion out
- Wired to industry standard 4-way flat connector
- Includes tow vehicle hook-up plug and 20' cord

18-0636 17929 Magnetic Towing Lights

## MAGNETIC TOW LIGHTS, TOW BAR & GOOSENECK PLATFORMS

### WIRELESS MAGNETIC TOW LIGHTS

- Long-lasting 100hr, rechargeable and tow ready
  - Designed with built-in, rechargeable batteries that work with a standard USB charger
  - Wireless 2.4GHz operation with 100' range
  - FCC, IC & DOT compliant
  - Designed for a standard 4-way trailer connector
  - Rare earth magnets provide a super strong hold
  - Easy to identify "Driver" and "Passenger" markings and battery strength indicators
  - Energy-efficient LED lights
  - Durable design with hermetically sealed, waterproof enclosure and tough polycarbonate lenses
  - Includes vehicle and wall charging adapters
- 62-5941 27929 Wireless Magnetic Tow Lights



Rechargeable 100hr lithium batteries with easy view battery strength indicators



Super strong rare earth magnet



### FOLDING TOW BAR

- Features a streamlined appearance
  - Heavy duty construction with adjustable arms
  - Easy installation and use; lightweight
  - Tow bar mounting brackets bolt securely to the vehicle bumper or frame attachment points
  - Connects and disconnects easily from the bumper mounting brackets
  - Safety chain loop attachments placed near the coupler and mounting bracket positions make for easy hook-up
  - The quick-latch coupler fits 2" trailer balls
- 14-1049 30508 Folding Tow Bar



### OEM 35K GOOSENECK TRAILER BALL

- Use with Ford, RAM, GM and Nissan OEM towing package
  - 35,000 lb. towing capacity / 7,500 lb. tongue capacity
  - 2-5/16" ball fits FORD, GM, RAM and Nissan OEM gooseneck hitches
  - Easy installation
  - Chrome-plated; Made from 100% heat treated alloy steel for superior strength
  - Meets SAE J2638 gooseneck standards
- 71-5217 33055 OEM 35K Gooseneck Trailer Ball

### GOOSENECK FIXED BALL PLATFORMS

- Ideal for trucks that tow gooseneck trailers (livestock and equipment trailers)
- Includes safety chain attachments and a 2-5/16" ball
- Required center bolt kit included
- Built in safety chain attachments
- 25,000 lb. capacity
- Base rails sold separately

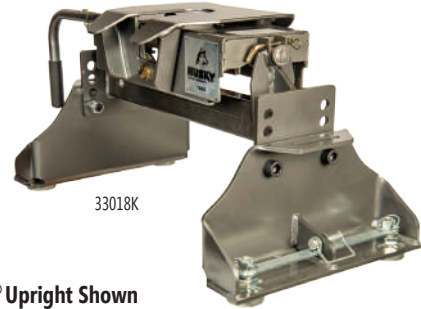
14-1143 31368 Fixed Ball Gooseneck Hitch  
14-1249 30686 Base Rail



## 5TH WHEEL HITCHES FOR OEM PUCK SYSTEMS

### 16KS SERIES FOR FORD, RAM & GM

- Use with factory 5th wheel/gooseneck prep package
- Dual pivot head
- Includes pop-out safety indicator for safe hookup
- Features a self-locking handle & slide bar jaw
- Powder-coated finish and zinc-plated fasteners
- Meets SAEJ2638 5th wheel standards



Ford® Upright Shown

### 16KW SERIES FOR FORD, RAM & GM

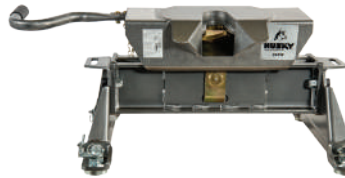
- Use with factory 5th wheel/gooseneck prep package
- Fully articulating head
- Includes pop-out safety indicator for safe hookup
- Features a self-locking handle and patented anti-walk wraparound jaw
- Powder-coated finish and zinc-plated fasteners
- Meets SAEJ2638 5th wheel standards



RAM® Upright Shown

### 26KW SERIES FOR FORD, RAM & GM

- Use with factory 5th wheel/gooseneck prep package
- Fully articulating head
- Includes pop-out safety indicator for safe hookup
- Features a self-locking handle and patented anti-walk wraparound jaw
- Powder-coated finish and zinc-plated fasteners
- Meets SAEJ2638 5th wheel standards



GM®/Chevy® Upright Shown

PART #	MFG #	MODEL	SERIES	WEIGHT CARRYING	TONGUE CAPACITY	BED SIZE
81-0831	33018K	Ford 250/350/450 2011-2019	16KS	16,000 lb	4,000 lb	Long bed
81-0832	33013K	Ford 250/350/450 2011-2019	16KW	16,000 lb	4,000 lb	Long bed
81-0835	33017K	Ford 250/350/450 2011-2019	26KW	26,000 lb	6,500 lb	Long bed
72-4429	33151K	GM 2500/3500 2016-2019	16KS	16,000 lb	4,000 lb	Long bed
72-4430	33152K	GM 2500/3500 2016-2019	16KW	16,000 lb	4,000 lb	Long bed
72-4431	33153K	GM 2500/3500 2016-2019	26KW	26,000 lb	6,500 lb	Long bed
81-0833	33012K	RAM 2500/3500 2013-2019	16KS	16,000 lb	4,000 lb	Long bed
81-0834	33011K	RAM 2500/3500 2013-2019	16KW	16,000 lb	4,000 lb	Long bed
81-0836	33021K	RAM 2500/3500 2013-2019	26KW	26,000 lb	6,500 lb	Long bed

Short Bed trucks with OEM Puck Systems need to use Husky Roller or Glider with vehicle specific OEM Adapters.

## OEM 5TH WHEEL PUCK ADAPTERS, UPRIGHTS & CROSSMEMBERS

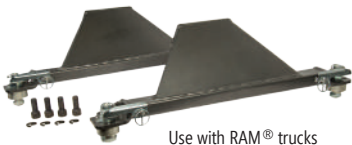


Use with GM<sup>®</sup> and Chevrolet<sup>®</sup> trucks

### GM<sup>®</sup>/CHEVROLET<sup>®</sup> OEM 5TH WHEEL PUCK ADAPTER

- Use with factory GM/Chevrolet 5th wheel/gooseneck hitch prep package
- 16,000 lb. weight carrying / 4,000 lb. tongue capacity
- Powder-coated finish with zinc-plated fasteners
- Meet SAE J2638 5th wheel standards
- For use with most industry 16K 5th wheel hitches with 20-5/8" footprint
- Pucks and feet are made from 100% heat treated alloy steel for superior strength

92-0051 33056 GM/Chevrolet Puck Adapter



Use with RAM<sup>®</sup> trucks

### RAM<sup>®</sup> OEM 5TH WHEEL UPRIGHTS FOR PUCK SYSTEM

- Use with factory RAM 5th wheel/gooseneck towing prep package
- Powder-coated finish with zinc-plated fasteners
- Can be used with Husky 16KS, 16KW & 26KW 5th wheel hitches
- Pucks and feet are made from 100% heat treated alloy steel for superior strength

41-0103 33000 RAM OEM Uprights



Use with GMC<sup>®</sup> trucks

### GM<sup>®</sup> OEM 5TH WHEEL UPRIGHTS FOR PUCK SYSTEM

- Use with factory GMC 5th wheel/gooseneck towing prep package
- Powder-coated finish with zinc-plated fasteners
- Can be used with Husky 16KS, 16KW & 26KW 5th wheel hitches
- Pucks and feet are made from 100% heat treated alloy steel for superior strength

71-8341 33118 GM OEM Uprights



Use with RAM<sup>®</sup> trucks

### RAM<sup>®</sup> OEM 5TH WHEEL PUCK ADAPTER

- Use with factory RAM 5th wheel/gooseneck towing prep package
- 24,000 lb. weight carrying / 6,000 lb. tongue capacity
- Powder-coated finish with zinc-plated fasteners
- Meet SAE J2638 5th wheel standards
- For use with most industry 16K 5th wheel hitches with 20-5/8" footprint
- Pucks and feet are made from 100% heat treated alloy steel for superior strength

71-5038 33009 RAM Puck Adapter



Use with RAM<sup>®</sup> trucks

### RAM<sup>®</sup> OEM 5TH WHEEL DUAL PUCK ADAPTER

- Use with factory RAM 5th wheel/gooseneck towing prep package
- 24,000 lb. weight carrying / 6,000 lb. tongue capacity
- Powder-coated finish with zinc-plated fasteners
- Meet SAE J2638 5th wheel standards
- For use with most industry 16K 5th wheel hitches with 20-5/8" and 29" footprint
- Pucks and feet are made from 100% heat treated alloy steel for superior strength

72-3787 33146 RAM Dual Puck Adapter



Use with Ford<sup>®</sup> trucks

### FORD<sup>®</sup> OEM 5TH WHEEL UPRIGHTS FOR PUCK SYSTEM

- Use with factory Ford 5th wheel/gooseneck hitch prep package
- Powder-coated finish with zinc-plated fasteners
- Can be used with Husky 16KS, 16KW & 26KW 5th wheel hitches
- Pucks and feet are made from 100% heat treated alloy steel for superior strength

41-0105 32997 Ford OEM Uprights



Use with Ford<sup>®</sup> trucks

### FORD<sup>®</sup> OEM 5TH WHEEL PUCK ADAPTER

- Use with factory Ford 5th wheel/gooseneck hitch prep package
- 16,000 lb. weight carrying / 4,000 lb. tongue capacity
- Powder-coated finish with zinc-plated fasteners
- Meet SAE J2638 5th wheel standards
- For use with most industry 16K 5th wheel hitches with 20-5/8" footprint
- Pucks and feet are made from 100% heat treated alloy steel for superior strength

71-8349 33117 Ford Puck Adapter for Glider & Roller Hitches



### 16KW / 26KW CROSSMEMBER

- 26,000 lb. weight carrying / 6,500 lb. tongue capacity
- Easy installation; Use with factory RAM, Ford & GM OEM 5th wheel/gooseneck prep packages
- Powder coated finish with zinc plated fasteners and socket head fasteners for long service life
- Meets SAE J2638 5th wheel standards
- Fits with: 31581, 31578, 32997, 33000, and 33054; Weight 67 lbs. and dimensions: 25.25" x 8.25" x 7.25"

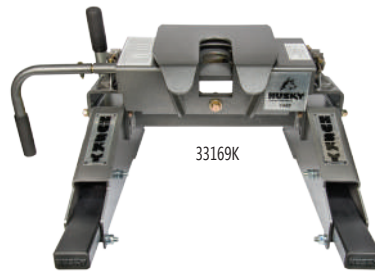
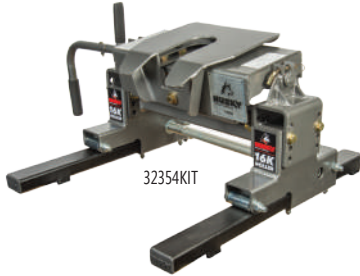
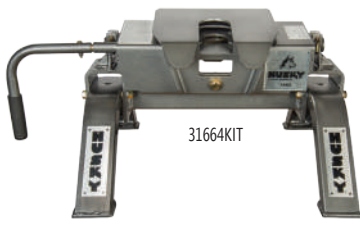
41-0106 32998 16KW/26KW



### 16KS CROSSMEMBER

- 16,000 lb. weight carrying / 4,000 lb. tongue capacity
- Easy installation; Use with factory RAM, Ford & GM OEM 5th wheel/gooseneck prep packages
- Powder coated finish with zinc plated fasteners for long service life
- Meets SAE J2638 5th wheel standards
- Fits with: 31453, 32997, 33000, and 33054; Weight 26 lbs. and dimensions: 25.2" x 7.3" x 10.5"

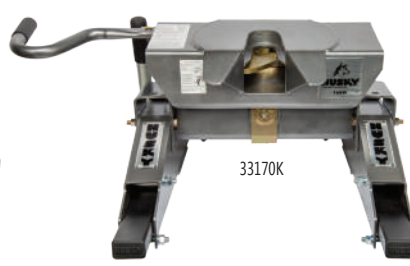
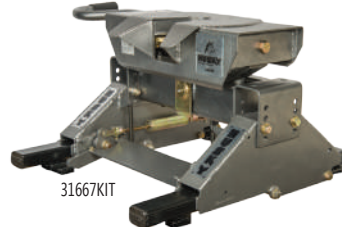
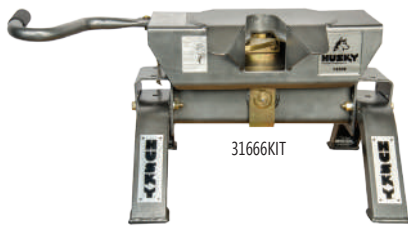
41-0102 32999 16KS Crossmember



## 16KS 5TH WHEEL HITCH

- 16,000 lb. weight carrying / 4,000 lb. tongue capacity
- Dual pivot head
- Includes pop-out safety indicator for safe hookup
- Features a self-locking handle & slide bar jaw
- Powder-coated finish and zinc-plated fasteners
- Meets SAEJ2638 5th wheel standards
- Requires 5th wheel trailer hitch mounting kit

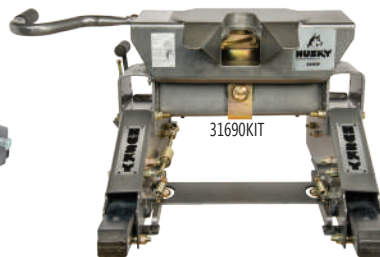
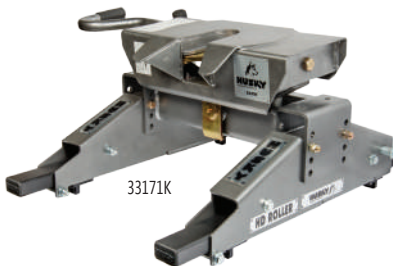
14-1715	31664KIT	16KS & 16K Uprights
14-1717	31665KIT	16KS & 16K Glider
14-1716	32354KIT	16KS & 16K Roller
15-9315	33169K	16KS & 26K HD Roller



## 16KW 5TH WHEEL HITCH

- 16,000 lb. weight carrying / 4,000 lb. tongue capacity
- Fully articulating head
- Includes pop-out safety indicator for safe hookup
- Features a self-locking handle
- Patented anti-walk wraparound jaw
- Improved crossmember with castle nut
- Powder-coated finish and zinc-plated fasteners
- Meets SAEJ2638 5th wheel standards
- Requires 5th wheel trailer hitch mounting kit

14-1718	31666KIT	16KW & 16K Uprights
14-1719	31667KIT	16KW & 16K Glider
14-1720	32392KIT	16KW & 16K Roller
15-9316	33170K	16KW & 26K HD Roller



## 26KW 5TH WHEEL HITCH

- 26,000 lb. weight carrying / 6,500 lb. tongue capacity
- Fully articulating head
- Includes pop-out safety indicator for safe hookup
- Features a self-locking handle
- Patented anti-walk wraparound jaw
- Improved crossmember with castle nut
- Powder-coated finish and zinc-plated fasteners
- Meets SAEJ2638 5th wheel standards
- Requires 5th wheel trailer hitch mounting kit

14-1733	31668KIT	26KW & 26K Uprights
14-1734	31690KIT	26KW & 26K Glider
15-9317	33171K	26KW & 26K HD Roller



## 16K 5TH WHEEL HITCH ROLLER

- 16,000 lb. weight carrying / 4,000 lb. tongue capacity
- Provides 9" of travel needed truck-to-trailer clearance for low speed maneuvers
- Installs with just four pins and clips
- Lift adjustments lets you minimize the distance between the wheels and the rails for smooth operation and less noise
- Works in the base rail slots spaced 20-5/8" apart (base rails not included)
- Includes center bolt kit
- Meets SAE J2638 5th Wheel Standards

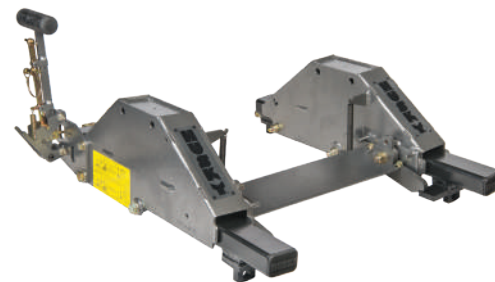
15-1449 32220 16K 5th Wheel Hitch Roller  
45-0080 32059 Center Bolt Kit



## 16K 5TH WHEEL HITCH GLIDER

- 16,000 lb. weight carrying / 4,000 lb. tongue capacity
- Provides 10" of travel; providing clearance during low speed maneuvering.
- Installs with just four pins and clips
- Moves on high-tech composite glide rails for quiet operation
- Rails are UV and corrosion resistant, and virtually maintenance free
- Works in the base rail slots spaced 20-5/8" apart (base rails not included)
- Use center bolt kit 32059 for proper installation (included)
- Patented "no bind" handle allows for easy no jamming or binding operation
- T-Handle allows for comfortable ergonomics and ease of usage.
- Patented mechanism allows for consistent handle operation. No more fighting the weight of the trailer.
- Meets SAE J2638 5th Wheel Standards

14-1327 31196 16K 5th Wheel Hitch Glider



## 26K 5TH WHEEL HITCH HD ROLLER

- 26,000 lb. weight carrying / 6,500 lb. tongue capacity
- Provides 10" of travel; providing clearance during low speed maneuvering.
- Balanced foot print design; Large handle for more ergonomic grip
- Includes center bolt kit for strength
- Meets SAE J2638 5th wheel standards
- Powder coated finish with zinc plated fasteners
- Can be used with Husky 16KS, 16KW, or 26KW 5th wheel heads
- Works in the base rail slots spaced 20-5/8" apart (base rails not included)
- No operating handle interference
- Height adjustments 15-1/4" to 18-5/8"
- Meets SAE J2638 5th Wheel Standards

72-3785 33143 26K 5th Wheel Hitch HD Roller



## 26K 5TH WHEEL HITCH GLIDER

- 26,000 lb. weight carrying / 6,500 lb. tongue capacity
- Provides 10" of travel needed truck-to-trailer clearance for low speed maneuvers
- Installs with just four pins and clips
- Moves on high-tech composite glide rails for quiet operation
- Rails are UV and corrosion resistant, and virtually maintenance free
- Works in the base rail slots spaced 20-5/8" apart (base rails not included)
- Use center bolt kit 32059 for proper installation (included)
- Patented mechanism allows for consistent handle operation. No more fighting the weight of the trailer.
- T-Handle allows for comfortable ergonomics and ease of usage.
- Patented "no bind" handle allows for easy no jamming or binding operation

14-1144 32042 26K 5th Wheel Hitch Glider



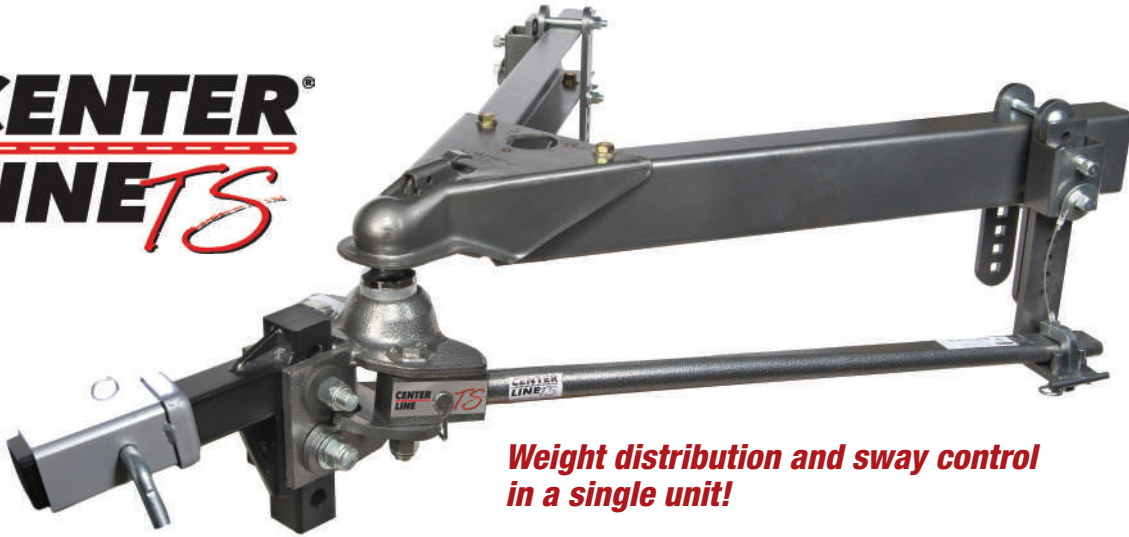
## FIFTH WHEEL LUBE DISCS

- Prevents scratches to the hitch head
- Makes coupling to the trailer a little smoother
- Prevents friction without grease
- Slip lube disc onto the pin; fits all types of 5th wheel trailers

14-0974 33862 Lube Disc, 8"  
14-0976 34914 Lube Disc, 10"  
14-0973 32256 Lube Disc, 12"



## CENTER LINE<sup>TS</sup>



**Weight distribution and sway control  
in a single unit!**

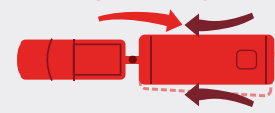
The Center Line TS was in development by Husky's engineering team for nearly three years. We brought advanced design, the latest in technology and materials science to a product that greatly improves the towing experience. Center Line TS replaces products that have been relatively unchanged for more than two decades. The result is a dramatic change in weight distribution systems on the market today. Integrating weight distribution and sway control, the Center Line TS delivers superior performance and resolves many of the shortcomings of older technology products.

### WEIGHT DISTRIBUTION AND SWAY CONTROL ENGINEERED TO PERFORM!

- The Center Line TS top plate is forged 1035 steel. Forged 1035 produces a much stronger hitch with excellent fatigue properties.
- The trunnions are heat treated, hardened alloy steel which ensures exceptional strength and wear properties.
- Tapered spring bars deliver a superior fit and appearance; Superior fit delivers superior sway control.
- Combines weight distribution and sway control in a single unit.
- Universal EZ Adjust frame brackets for easy installation and adjustment
- Exacting tolerances in spring bar, head and lift brackets: The Center Line TS reacts to trailer sway conditions earlier than competing products & delivers a smoother, quieter ride.
- None of the noise problems other WD/sway products have – it's quiet.
- Forged and hardened steel components deliver excellent long-term durability and service.
- Hitch ball is factory pre-installed and properly torqued.
- Significantly lighter weight than competing products.
- Handle can be used to hook up and remove bars.
- Frame brackets work with 4" - 8" tall frames
- No need for additional hardware.
- Outstanding performance – drive it and see!
- Limited lifetime warranty

### Active Sway Control:

With Husky Active Sway Control:



Without Active Sway Control:



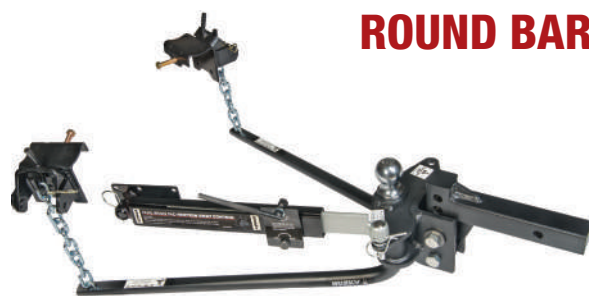
### CENTER LINE<sup>TS</sup>

Combines weight distribution and sway control in a single unit without additional hardware. Hitch ball is factory installed and tightened to the correct torque specifications. Includes universal frame brackets for easy installation and adjustment. Each kit contains everything necessary to install this hitch – no separate components!

NTP/STAG No.	Mfg. No.	Tongue Weight Range	Hitch Ball Size	Gross Trailer Weight
14-1258	32215	400-600 lbs.	2" Ball	Up to 6,000 lbs.
14-1259	32216	400-600 lbs.	2-5/16" Ball	Up to 6,000 lbs.
14-1263	32217	600-800 lbs.	2-5/16" Ball	Up to 8,000 lbs.
14-1266	32218	800-1200 lbs.	2-5/16" Ball	Up to 12,000 lbs.
71-5253	33092	800-1200 lbs.	2-5/16" Ball w/o Shank*	Up to 12,000 lbs.
92-0004	33039	1000-1400 lbs.	2-5/16" Ball	Up to 14,000 lbs.

\*Alternate shank sizes available for taller vehicles

## ROUND BAR WEIGHT DISTRIBUTION



### WEIGHT DISTRIBUTION HITCHES

Ready for safe towing right out of the box! Comes with the same features as the Round Bar Weight Distribution Hitch Kit, PLUS a dual friction, sway control system that diminishes sway from windy conditions and passing vehicles, and a pre-assembled and torqued hitch ball and sway control ball.

### WEIGHT DISTRIBUTION KIT

Features a bolt-together ball mount / 10" shank assembly for 2" applications, dual sway control platform for greater coupler clearance, chains and assembly hardware. 8" height adjustment. (rise: 6-1/4"; drop: 1-3/4"). 1-1/4" hole-on-head assembly requires 1-1/4" shank on hitch ball. \*2-1/2" x 2" shank. Balls not included.

NTP/STAG No.	Mfg. No.	Tongue Weight Range	Gross Trailer Weight	Pre-torqued Ball	Includes Sway Control	Includes 2" x 2" Shank
--------------	----------	---------------------	----------------------	------------------	-----------------------	------------------------

ROUND BAR WEIGHT DISTRIBUTION KITS						
14-1074	31995	400-600 lbs.	6,000 lbs.	2"	YES	YES
14-1466	31986	400-600 lbs.	6,000 lbs.	2-5/16"	YES	YES
14-1081	31997	500-800 lbs.	8,000 lbs.	2-5/16"	YES	YES
14-1256	30849	800-1,200 lbs.	10,000 lbs.	2-5/16"	YES	YES
71-5254	33093	800-1,200 lbs.	10,000 lbs.	2-5/16"	YES	NO

ROUND BAR WEIGHT DISTRIBUTION HITCHES						
14-1067	31421	400-600 lbs.	6,000 lbs.	NO	NO	YES
14-1069	31422	500-800 lbs.	8,000 lbs.	NO	NO	YES
14-1027	31423	800-1,200 lbs.	10,000 lbs.	NO	NO	YES
14-1070	31425	1,000-1,400 lbs.	14,000 lbs.	NO	NO	YES
14-1028	32464	1,000-1,400 lbs.	14,000 lbs.	NO	NO	2-1/2" x 2"

## TRUNNION BAR WEIGHT DISTRIBUTION



### WEIGHT DISTRIBUTION HITCHES

Ready for safe towing right out of the box! Comes with the same features as the Trunnion Bar Weight Distribution Hitches, PLUS a dual friction, sway control system that diminishes sway from windy conditions and passing vehicles, and a pre-assembled and torqued hitch ball and sway control ball. Hitch ball is 2-5/16" x 1-1/4" 12,000 lbs.

### WEIGHT DISTRIBUTION KIT

Features a bolt-together hitch head and 10" shank assembly, raised ball platform for greater coupler clearance and turning radius and a built-in dual sway control platform. Fits all Class III / IV 2" receivers. 8" of height adjustment (rise: 7-1/2"; drop: 1"). 1-1/4" hole-on-head assembly. Requires 1-1/4" shank on hitch ball. Balls not included. 5 year limited warranty.

NTP/STAG No.	Mfg. No.	Tongue Weight Range	Gross Trailer Weight	Pre-torqued Ball	Includes Sway Control	Includes 2" x 2" Shank
--------------	----------	---------------------	----------------------	------------------	-----------------------	------------------------

TRUNNION BAR WEIGHT DISTRIBUTION KITS						
14-1072	31620	600-800 lbs.	8,000 lbs.	2-5/16"	YES	YES
14-1073	31621	800-1,200 lbs.	12,000 lbs.	2-5/16"	YES	YES

TRUNNION BAR WEIGHT DISTRIBUTION HITCHES						
14-1065	31331	500-800 lbs.	8,000 lbs.	NO	NO	YES
14-1066	31335	800-1,200 lbs.	12,000 lbs.	NO	NO	YES

## SWAY CONTROL KITS AND COMPONENTS

Diminishes lateral trailer movement in windy conditions and from passing vehicles. Dual friction brake pad system provides constant and adjustable sway reduction. Detaches quickly for storage. Secures with socket & spring clip connectors. Select from a complete left or right kit or build your own kit

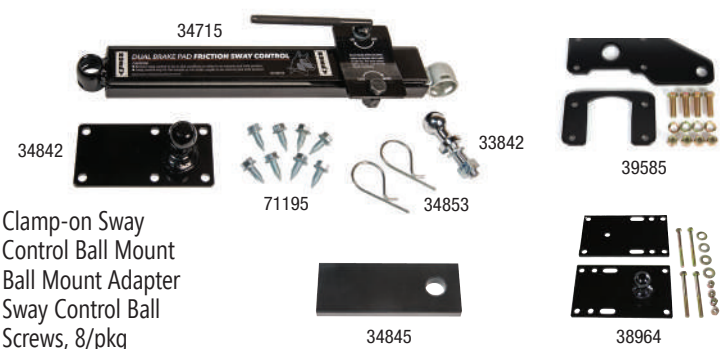
### COMPLETE KIT:

- 14-1253 34715 Right Hand Kit
- 14-1254 37498 Left Hand Kit

**Note:** For trailers 24' and longer, the use of both right hand and left hand sway controls is recommended.

### COMPONENTS:

- 14-1193 34845 Weld-on Ball Mount Bar
- 14-1330 34846 Slide Bar
- 14-1194 34847 Crank Handle
- 14-1192 34842 Tongue Ball Plate
- 14-1195 34853 Spring Clip



34842

34715

71195

33842

34853

39585

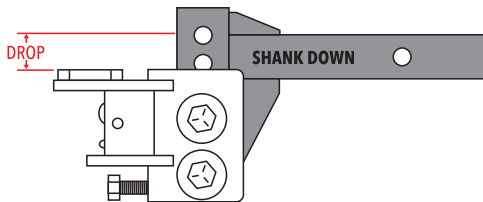
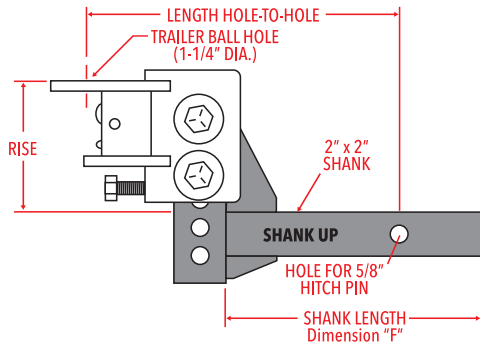
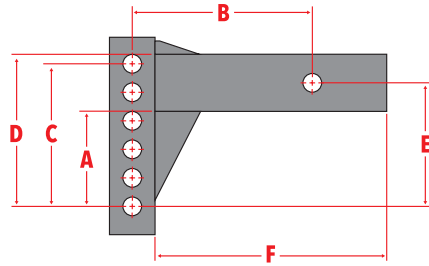
34845

38964

- 14-1255 38964 Clamp-on Sway Control Ball Mount
- 14-0792 39585 Ball Mount Adapter
- 14-1052 33842 Sway Control Ball
- 14-1196 71195 Screws, 8/pkg

## WEIGHT DISTRIBUTION HITCH SHANKS

Slides into your hitch receiver and provides the attachment point for your weight distribution. All WD hitches other than 32464 come with the 2" x 2" 31518 shank. The 32464 round bar hitch comes with the 2.5" x 2" 32459 shank.



PART #	MFG #	DIMENSION A	DIMENSION B	DIMENSION C	DIMENSION D	DIMENSION E	DIMENSION F
--------	-------	-------------	-------------	-------------	-------------	-------------	-------------

2" x 2" Welded Shanks							
14-1303	31518	4-1/4"	7-3/4"	6-1/4"	6-1/4"	5-1/4"	10"
14-1315	30857	7-1/2"	7-3/4"	6-1/4"	9-1/2"	8-1/2"	10"
14-1317	30859	11-1/4"	9-3/4"	5"	N/A	12-1/4"	12"
14-0995	30856	4-1/4"	11-3/4"	6-1/4"	6-1/4"	5-1/4"	14"
14-1316	30858	7-1/2"	11-3/4"	6-1/4"	9-1/2"	8-1/2"	14"

2.5" x 2" Welded Shanks							
71-3625	32459	4-1/4"	7-3/4"	6-1/4"	6-3/4"	5-1/2"	10"
71-3627	32554	7-1/2"	7-3/4"	6-1/4"	10"	8-3/4"	10"
71-3626	32550	11-1/4"	9-3/4"	6-1/4"	N/A	12-1/2"	12"
71-5206	32552	4-1/4"	9-3/4"	6-1/4"	6-3/4"	5-1/2"	12"
71-5207	32553	4-1/4"	11-3/4"	6-1/4"	6-3/4"	5-1/2"	14"
71-5208	32555	7-1/2"	11-3/4"	6-1/4"	10"	8-3/4"	14"

**Note:** Weight carrying capacity of shanks listed above is 6,000 lbs. maximum and weight distribution is 14,000 lbs. maximum.

PART #	MFG #	TYPE	SHANK LENGTH	RISE	DROP	HOLE TO HOLE LENGTH
--------	-------	------	--------------	------	------	---------------------

SHANK USAGE: ROUND BAR WEIGHT DISTRIBUTION						
14-1303	31518	2x2 W	10"	6-1/4"	1-3/4"	12-1/8"
14-1315	30857	2x2 W	10"	9-1/2"	5"	12-1/8"
14-1317	30859	2x2 W	12"	N/A	8-3/4"	14-1/8"
14-0995	30856	2x2 W	14"	6-1/4"	1-3/4"	16-1/8"
14-1316	30858	2x2 W	14"	9-1/2"	5"	16-1/8"
71-3625	32459	2.5x2 W	10"	6-1/4"	2-1/4"	12-1/8"
71-3627	32554	2.5x2 W	10"	9-1/2"	5-1/2"	12-1/8"
71-3626	32550	2.5x2 W	12"	N/A	9-1/4"	14-1/8"
71-5206	32552	2.5x2 W	12"	6-1/4"	2-1/4"	14-1/8"
71-5207	32553	2.5x2 W	14"	6-1/4"	2-1/4"	16-1/8"
71-5208	32555	2.5x2 W	14"	9-1/2"	5-1/2"	16-1/8"

PART #	MFG #	TYPE	SHANK LENGTH	RISE	DROP	HOLE TO HOLE LENGTH
--------	-------	------	--------------	------	------	---------------------

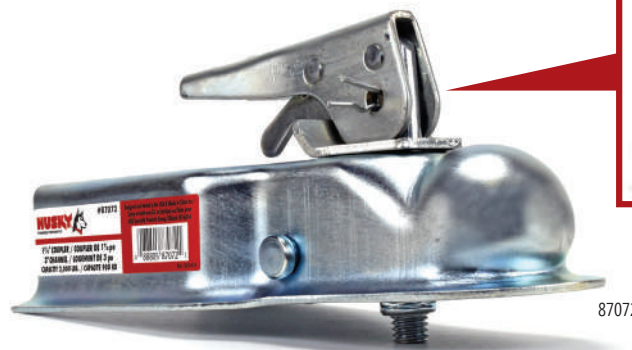
SHANK USAGE: TRUNNION BAR WEIGHT DISTRIBUTION						
14-1303	31518	2x2 W	10"	7-1/2"	1"	12-3/8"
14-1315	30857	2x2 W	10"	10-3/4"	3-3/4"	12-3/8"
14-1317	30859	2x2 W	12"	N/A	7-1/2"	14-3/8"
14-0995	30856	2x2 W	14"	7-1/2"	1/2"	16-3/8"
14-1316	30858	2x2 W	14"	10-3/4"	3-3/4"	16-3/8"
71-3625	32459	2.5x2 W	10"	7-1/2"	1"	12-3/8"
71-3627	32554	2.5x2 W	10"	10-3/4"	4-1/4"	12-3/8"
71-3626	32550	2.5x2 W	12"	N/A	8"	14-3/8"
71-5206	32552	2.5x2 W	12"	7-1/2"	1"	14-3/8"
71-5207	32553	2.5x2 W	14"	7-1/2"	1"	16-3/8"
71-5208	32555	2.5x2 W	14"	10-3/4"	4-1/4"	16-3/8"

PART #	MFG #	TYPE	SHANK LENGTH	RISE	DROP	HOLE TO HOLE LENGTH
--------	-------	------	--------------	------	------	---------------------

SHANK USAGE: CENTER LINE TS						
14-1303	31518	2x2 W	10"	6-5/8"	1-3/8"	12-5/8"
14-1315	30857	2x2 W	10"	9-7/8"	4-5/8"	12-5/8"
14-1317	30859	2x2 W	12"	N/A	8-3/8"	14-5/8"
14-0995	30856	2x2 W	14"	6-5/8"	1-3/8"	16-5/8"
14-1316	30858	2x2 W	14"	10-3/4"	4-5/8"	12-1/4"
71-3625	32459	2.5x2 W	10"	6-5/8"	1-7/8"	12-5/8"
71-3627	32554	2.5x2 W	10"	9-7/8"	5-1/8"	12-5/8"
71-3626	32550	2.5x2 W	12"	N/A	8-7/8"	14-5/8"
71-5206	32552	2.5x2 W	12"	6-5/8"	1-7/8"	14-5/8"
71-5207	32553	2.5x2 W	14"	6-5/8"	1-7/8"	16-5/8"
71-5208	32555	2.5x2 W	14"	9-7/8"	5-1/8"	16-5/8"

## STRAIGHT TRAILER COUPLERS

- For safe towing of trailers requiring 1-7/8" and 2" couplers
- Built to the highest industry standards: tested and certified to VESC V-5 and SAE J684 standards
- Includes safety pin and retainer chain to keep the ball clamp in a locked position
- The quick release assembly allows for fast and safe locking and unlocking of the ball clamp enabling faster hook-up and disconnect



Retainer chain

87072

## STRAIGHT TRAILER COUPLERS

PART #	MFG #	BALL SIZE	INSIDE WIDTH	MAX GROSS TRAILER WEIGHT
15-1580	87070	1-7/8"	2"	2,000lbs (907kg)
15-1581	87071	1-7/8"	2-1/2"	2,000lbs (907kg)
45-0048	87072	1-7/8"	3"	2,000lbs (907kg)
14-1091	87073	2"	2"	3,500lbs (1588kg)
14-1093	87074	2"	2-1/2"	3,500lbs (1588kg)
14-1099	87075	2"	3"	3,500lbs (1588kg)
14-1103	87076	2"	3"	6,000lbs (2722kg)



87083

Coupler Repair Kit

## COUPLER REPAIR KITS

PART #	MFG #	DESCRIPTION
14-1109	87082	Coupler Repair Kit for 1-7/8" Couplers, 2,000lbs. (907kg)
14-1111	87083	Coupler Repair Kit for 2" Couplers, 3,500lbs. (1588kg)
14-1112	87084	Coupler Repair Kit for 2" Couplers, 6,000lbs. (2722kg)

## A-FRAME TRAILER COUPLERS

- Designed to be welded to trailers with 50 degree A-frame tongues
- Rated for SAE Class III, IV & V applications
- Includes a jack mount cutout that accepts all A-frame tongue jacks
- Many include a chain to eliminate loss of the safety pin



87077



87079

## A-FRAME TRAILER COUPLERS

PART #	MFG #	DESCRIPTION
15-1582	87077	2" A-Frame Coupler with Chain, 5,000lbs. (2268kg)
14-1105	87079	2" A-Frame Coupler, Flat Lock, 5,000lbs. (2268kg)
14-1107	87080	2" A-Frame Coupler, 10,000lbs. (4536kg)
14-1108	87081	2" A-Frame Coupler, 14,000lbs. (6350kg)



87080, 87081

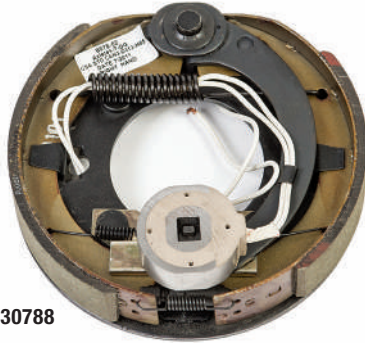
Note: Tow rating is limited to the lowest rated component of the system; see Vehicle Owner's Manual.

## HUSKY® ELECTRIC BRAKE ASSEMBLY KITS

### FOR AXLE TEK, DEXTER, FAYETTE, HAYES & ALKO ELECTRIC BRAKES

Save time and money by installing Husky Brake Assemblies. Why replace shoes, magnets, springs, adjusters, etc.? If you have to replace two or more of these components, it is easier and more economical to install the complete assembly. With Husky, you get back on the road fast!

Reduce precious time and aggravation on difficult brake repairs by using Husky easy to install complete brake assembly kits. These CSA certified kits provide durability, and reliability in braking performance. These kits fit Axle Tek, Dexter, Fayette, and Hayes, with these flange patterns: 3" hole diameter x 4-holes x 4" bolt center on 7" and 10" brakes; 3.25" hole diameter x 5-holes x 3.88" bolt center on 12" brakes. All kits are individually boxed.



30788



30788

### ELECTRIC BRAKE ASSEMBLY KITS

#### 7" x 1.25", 600-2,200 lb. Rated Axle Capacity

NTP/STAG #	Husky Part #	Description
21-0094	30789	Complete Brake Assembly LH
21-0095	30788	Complete Brake Assembly RH (shown at left)

#### 10" x 2.25", 2,300-3,500 lb. Rated Axle Capacity

NTP/STAG #	Husky Part #	Description
21-0058	30793	Complete Brake Assembly LH
21-0059	30794	Complete Brake Assembly RH

#### 12" x 2", 4,000-6,000 lb. Rated Axle Capacity

NTP/STAG #	Husky Part #	Description
21-0066	30799	Complete Brake Assembly LH
21-0093	30800	Complete Brake Assembly RH

#### 12" x 2", 7,000 lb. Rated Axle Capacity

NTP/STAG #	Husky Part #	Description
21-0064	30797	Complete Brake Assembly LH
21-0065	30798	Complete Brake Assembly RH

## HUSKY® HYDRAULIC BRAKE ASSEMBLY KITS

### FOR AXLE TEK, ATWOOD, ALKO, DEXTER HYDRAULIC BRAKES

Easy installation and interchangeability are just two features that rate Husky Uni-servo hydraulic brake assemblies among the best in the industry. These assemblies interchange with most major brands of axles, without modifying the axle or mounting flange. These assemblies also interchange with Atwood, Axle Tek, and Dexter hydraulic brake assemblies. Hub Pattern: 3" x 4-holes on 10" brakes; 3.25" x 5-holes on 12" brakes. All kits are individually boxed.



30786

### HYDRAULIC BRAKE ASSEMBLY KITS

#### 10" x 2.25", 3,500 lb. Rated Axle Capacity

NTP/STAG #	Husky Part #	Description
21-0108	30785	Complete Brake Assembly LH, Black Painted
21-0109	30784	Complete Brake Assembly RH, Black painted

#### 12" x 2", 6,000 lb. Rated Axle Capacity

NTP/STAG #	Husky Part #	Description
21-0072	30786	Complete Brake Assembly LH, Black Painted (shown at left)
21-0059	30794	Complete Brake Assembly RH, Black painted

Brakes manufactured by Axle Teknology for Husky are CSA Certified (CSA master contract #239634)

## HUSKY<sup>®</sup> ELECTRIC BRAKE ASSEMBLY

### FOR AXLE TEK OR DEXTER

Complete assembly. Fits or replaces Axle Tek or Dexter. All assemblies are individually boxed.

#### ELECTRIC BRAKE ASSEMBLY

##### 10" x 2.25", 4,400 lb. Rated Axle Capacity

NTP/STAG #	Husky Part #	Description
21-0074	32559	Complete Brake Assembly LH, Standard Wire (Red) (shown at right)
21-0075	32560	Complete Brake Assembly RH, Standard Wire (Red)



32559

## HUSKY<sup>®</sup> SELF-ADJUSTING ELECTRIC BRAKE ASSEMBLIES

### FOR AXLE TEK OR DEXTER

Complete assembly. Fits or replaces Axle Tek or Dexter. All assemblies are individually boxed.

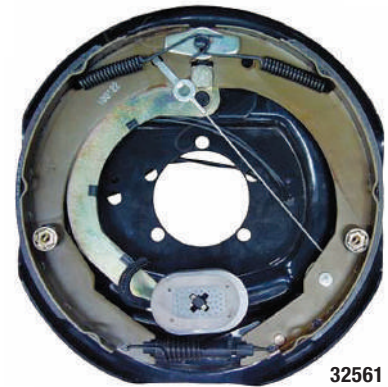
#### SELF-ADJUSTING ELECTRIC BRAKE ASSEMBLIES

##### 10" x 2.25", 3,500 lb. Rated Axle Capacity

NTP/STAG #	Husky Part #	Description
21-0061	32288	Complete Brake Assembly LH
21-0062	32289	Complete Brake Assembly RH

##### 10" x 2.25", 4,400 lb. Rated Axle Capacity

NTP/STAG #	Husky Part #	Description
21-0076	32561	Complete Brake Assembly LH, Standard Wire (Red) (shown at right)
21-0077	32562	Complete Brake Assembly RH, Standard Wire (Red) (shown at right)



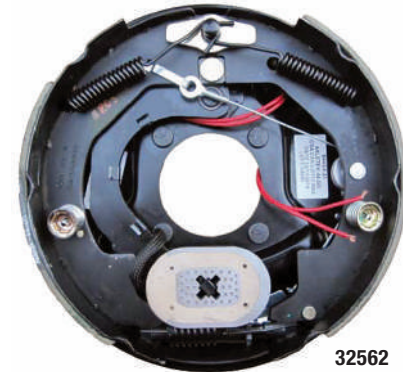
32561

##### 12" x 2", 6,000 lb. Rated Axle Capacity

NTP/STAG #	Husky Part #	Description
21-0070	32292	Complete Brake Assembly LH
21-0071	32293	Complete Brake Assembly RH

##### 12" x 2", 7,000 lb. Rated Axle Capacity

NTP/STAG #	Husky Part #	Description
21-0068	32290	Complete Brake Assembly LH
21-0069	32291	Complete Brake Assembly RH



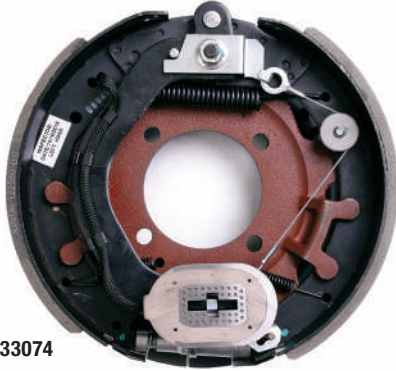
32562

## HUSKY® ELECTRIC BRAKE KIT

### FOR AXLE TEK OR DEXTER

- Automotive-grade friction material molded to brake shoes
- Pads are fully bonded to shoes for long life and more braking torque
- Less chance of cracking and crumbling that can lead to mechanical lockup, thanks to tapered edge and circular grinding
- E-coated backing plate resists wear and corrosion
- Limited 1 year warranty

Complete assembly. Fits or replaces Axle Tek or Dexter. All assemblies are individually boxed.



33074

### ELECTRIC BRAKE KIT

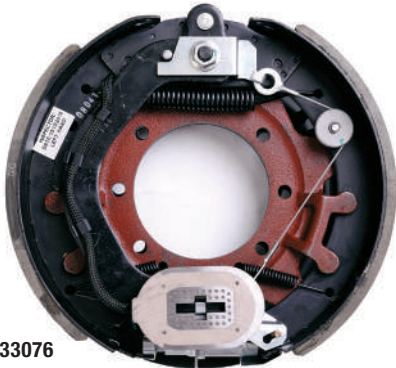
#### 12.25" x 3.375", 4-Bolt, 8,000 lb. Axle Capacity

NTP/STAG #	Husky Part #	Description
71-5235	33074	Complete Brake Assembly LH, Standard Wire (Red) (shown at left)
71-5257	33096	Bulk
71-5236	33075	Complete Brake Assembly RH, Standard Wire (Red)
71-5256	33095	Bulk

## HUSKY® GENERAL DUTY SELF-ADJUSTING ELECTRIC BRAKE ASSEMBLIES

### FOR AXLE TEK OR DEXTER

Complete assembly. Fits or replaces Axle Tek or Dexter. All assemblies are individually boxed.



33076

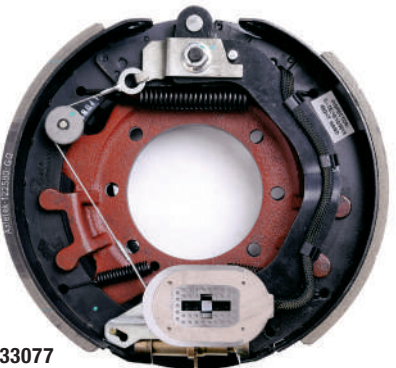
### SELF-ADJUSTING ELECTRIC BRAKE ASSEMBLIES

#### 12.25" x 3.375", 6-Bolt, 1000 lb. Axle Capacity

NTP/STAG #	Husky Part #	Description
71-5237	33076	Complete Brake Assembly LH, Standard Wire (Red) (shown at left)
71-5258	33097	Bulk
71-5238	33077	Complete Brake Assembly RH, Standard Wire (Red) (shown at left)
71-5259	33098	Bulk

#### 12.25" x 5", 6-Bolt, 12,000 lb. Axle Capacity

NTP/STAG #	Husky Part #	Description
71-5239	33078	Complete Brake Assembly LH, Standard Wire (Red)
71-5240	33079	Complete Brake Assembly RH, Standard Wire (Red)



33077

Brakes manufactured by Axle Technology for Husky are CSA Certified (CSA master contract #239634)



## HUSKY<sup>®</sup> IDLER HUB KITS

### FOR AXLE TEK OR DEXTER

- Black paint finish
- Trailer hub-and-drum assembly provides gripping area when the brake shoes are activated
- Compatible with electric and hydraulic drum brakes
- Zinc and paint blended coating for durability
- Corrosion resistant, zinc finished pressed in studs
- Limited 1 year warranty

### 2,000 lb. IDLER HUB KITS

#### 4-4.00; L44610/L44610; Black push-in studs

NTP/STAG #	Husky Part #	Description
71-5241	33080	Idler Hub Kit, 2,000 lbs (shown at right)

#### 5-4.50; L44610/L44610; Black push-in studs; Standard Flange

71-5242	33081	Idler Hub Kit, 2,000 lbs
---------	-------	--------------------------

#### 5-4.50; L44610/L44610; Black push-in studs; Large Flange

71-5243	33082	Idler Hub Kit, 2,000 lbs. (shown at right)
---------	-------	--

### 3,500 lb. IDLER HUB KITS

#### 5-4.50; L68111/L44610; Black push-in studs

NTP/STAG #	Husky Part #	Description
71-5244	33083	Idler Hub Kit, 3,500 lbs.

#### 5-4.75; L68111/L44610; Large Flange/Large Bride

71-5245	33084	Idler Hub Kit, 3,500 lbs.
---------	-------	---------------------------

#### 5-5.00; L68111/L44610; Large Flange/Large Bride

71-5246	33085	Idler Hub Kit, 3,500 lbs.
---------	-------	---------------------------

#### 5-5.50; L68111/L44610; Black push-in studs

71-5247	33086	Idler Hub Kit, 3,500 lbs.
---------	-------	---------------------------

#### 6-5.50; L68111/L44610; Black push-in studs

71-5248	33087	Idler Hub Kit, 3,500 lbs. (shown at right)
---------	-------	--

### 6,000 lb. & 7,000 lb. IDLER HUB KITS

#### 6-5.50; 25520/15245;1/2-20; Push-In Studs

NTP/STAG #	Husky Part #	Description
71-5249	33088	Idler Hub Kit, 6,000 lbs.

#### 6-5.50; 25520/15245;9/16-18; Push-In Studs

71-5250	33089	Idler Hub Kit, 6,000 lbs.
---------	-------	---------------------------

#### 8-6.50; 25520/14276;1/2-20; Push-In Studs

71-5251	33090	Idler Hub Kit, 7,000 lbs.
---------	-------	---------------------------

#### 8-6.50; 25520/14276; 9/16-18; Push-In Studs

71-5252	33091	Idler Hub Kit, 7,000 lbs. (shown at right)
---------	-------	--





## HUSKY ASCEND® FLEXIBLE MOUNT PROPORTIONAL TRAILER BRAKE CONTROL

Husky Ascend puts your trailer brake control within easy reach so you can safely keep your eyes on the road. The modular design lets you mount the heads-up display and controller wherever they are most accessible to you, while the system's electronic brain is mounted out of sight.

- Advanced proportional control technology mirrors the braking action of the tow vehicle
- On-the-fly sensitivity adjustment with 7 settings for different loads and driving conditions

### 1. LED DISPLAY

Can be located directly within your field of vision for optimal viewing

- Compact size mounts independent of the other two components for better placement
- Mounts to dash for safer heads-up viewing
- Wiring is hidden and routed on the A-pillar
- Adjustable to set driver's best viewing angle



### 2. MANUAL BRAKE CONTROL

Mount within easy reach of either hand

- Use the manual slide to activate the brakes
- Mount for either right or left hand dexterity
- Slide indicators are back-lit and glow at night for easier visibility

### 3. ELECTRONIC BRAIN

Can be mounted completely out of sight

- Inertia and brake pedal activation
- Dual-axis accelerometer with forward and reverse proportional/progressive braking
- 8-brake capacity
- Short protected
- Mounts under dash to multiple surface types 360° vertical and 10° horizontal range
- Requires no leveling
- Quick-connect plug included
- Lifetime warranty



17-0647 31624 Ascend w/ Connector, 8 Brakes

## HUSKY QUEST® PROPORTIONAL TRAILER BRAKE CONTROL



- Proportional brake control mirrors the braking action of the vehicle. Quest comes with a simple plug-in connector allows for instant connection to your factory tow package.
- Digital power level (gain) and sensitivity (response) settings for precise and easy setup
- On-the-fly sensitivity adjustment; 5 preset options for optimal control from the touch of a button
- Easy-to-adjust for full or empty loads
- Digital power scale from 5-to-99
- Advanced inertial accelerometer instantly activates brakes
- Ergonomic vertical slide is easy to use
- 8 brake capacity
- Short protected
- Lifetime warranty

17-0646 31899 Quest Brake Control w/Connector, 8 Brakes

## HUSKY ESCORT® DIGITAL TIME-RAMP TRAILER BRAKE CONTROL



- Time-ramp braking is activated by brake pedal. Escort Digital comes with a simple plug-in connector allows for instant connection to your factory tow package and a large digital readout.
- Power settings are easy to set and adjust
- Ergonomic vertical slide is easy to use
- Exact brake force is displayed digitally as a percentage of full power
- 6-brake capacity
- Short protected
- Limited lifetime warranty

17-0688 31898 Escort Brake Control w/Connector, 6 Brakes

## HUSKY ESCORT® DIGITAL TIME-RAMP TRAILER BRAKE CONTROL



- Multi-color LED display changes color with braking power, to help you set the right braking power
- Innovate vertical slide for manual braking.
- Activates upon depression of the tow vehicle brake pedal
- Mount in any position vertically or horizontally
- 6 brake capacity
- Short protected
- Limited lifetime warranty

17-0645 31555 Escort Brake Control w/o Connector, 6 Brakes

## HUSKY<sup>®</sup> BRAKE CONTROL SPECIFICATIONS



**ASCEND<sup>®</sup>**  
31624



**QUEST<sup>®</sup>**  
31899  
w/Flat Connector



**ESCORT<sup>®</sup> DIGITAL**  
31898  
w/Flat Connector



**ESCORT<sup>®</sup>**  
31555

Activation	Inertia/Brake Pedal	Inertia/Brake Pedal	Brake Pedal	Brake Pedal
Braking Algorithm	Accelerometer	Accelerometer	Time Ramp	Time Ramp
Braking Application	Proportional/Progressive	Proportional/Progressive	Preset Braking	Preset Braking
Functional in Reverse	Proportional/Progressive	Proportional/Progressive	Preset Braking	Preset Braking
Braking Capacity	8	8	6	6
Braking Display	Digital	Digital	Digital	Multi-Color Bulb
Braking Output	% of Braking Capacity	% of Braking Capacity	% of Braking Capacity	Color = Braking Intensity

### MOUNTING ANGLE

• Vertical Fore/Aft (Pitch)	360°	360°	360°	360°
• Horizontal Side-to-Side (Yaw)	±10°	±10°	360°	360°
• Roll (Tilt)	±10°	±10°	360°	360°
• Flexible Mounting Options	Yes	No	Yes	Yes
Auto Leveling	Yes	Yes	Yes	Yes
Quick Connect Plug	Yes	Yes	Yes	No
Solid State Electronics	Yes	Yes	Yes	Yes
Slide Activates Brake Lights	Yes	Yes	Yes	Yes
Manual Operation	Vertical or Horizontal Slide	Vertical Slide	Vertical Slide	Vertical Slide

### DIAGNOSTICS

• Reverse Polarity Protection	No	No	No	No
• Trailer Side Short Protection	Yes	Yes	Yes	Yes
• Trailer Brake Continuity	Yes	Yes	Yes	Yes
• Trailer Brake Short Notification	Yes	Yes	Yes	No

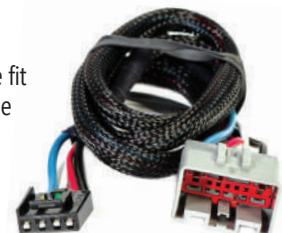
### TRAILER BRAKE TYPES

• Electric	Yes	Yes	Yes	Yes
• Electric Over Hydraulic	Yes	Yes	Yes	No
Memory Pre-Sets	Last Setting	Last Setting	Last Setting	Last Setting
24 Volt Jump Start Protection	Yes	Yes	Yes	Yes
Custom Brake Settings	5	5	Fixed	Fixed
Warranty	Limited Lifetime	Limited Lifetime	Limited Lifetime	Limited Lifetime

### HUSKY<sup>®</sup> Custom Wiring Harnesses for Brake Controls

For the Husky Quest<sup>®</sup>, Escort<sup>®</sup> Digital and Ascend<sup>®</sup>. Look for the full line of Husky<sup>®</sup> custom wiring harnesses. These fit all Husky<sup>®</sup> brake controls that have a similar shaped plug. Simply attach the adapter to the Husky brake control. The safest/easiest way to wire a brake control to your tow-prepped vehicle. Clamshell packed. Use appropriate wiring harness for quick brake control installation.

See page 57 for vehicle specific brake control wiring harness list.





**NEW HUSKY® 7-WAY JUNCTION BOX**



- Provides fast, easy installation of your trailer 7-way connector
- Easy color-coded and labeled wire terminals (see instructions)
- Molded-in strain relief for cables
- Rugged nylon construction
- Weather-resistant housing
- Open and closed rubber grommets included

18-2702 33200 7-Way junction Box



**NITE-GLOW™ CONNECTORS**



**NITE-GLOW™  
7-WAY BLADE TRAILER END  
LED CONNECTOR**

- Illuminates on taillight function to verify electrical continuity
- Assists in confirming your trailer connection

71-5228 33067 NG 7 Blade Trailer 1/card



30500



30501

**NITE-GLOW™  
7-WAY BLADE TO 4 OR 6-WAY ROUND  
FLEX-COIL™ LED CONNECTORS**

Nite-Glow™ illuminates on taillight function verifying continuity. Stretches to 8 feet. Easy-grip, heavy-duty connectors with heavy-duty cable. 3-yr. warranty.

19-3842 30500 7RV Male To 4Rd Male Flex Adpt

19-3843 30501 7RV Male To 6Rd Male Flex Adpt



**NITE-GLOW™  
7-WAY BLADE TO 3-WAY FLAT  
FLEX-COIL™ LED CONNECTOR**

Flex-Coil adapters provide increased durability and additional length when needed to reach the tow vehicle's socket and the trailer/towed vehicle's plug. Flex-Coil adapters with Nite-Glow™ illuminate upon activation of the taillight function, so you can find the electrical connection in the dark and show that the vehicle's trailer wiring system is functioning properly. Stretches to 3' and features increased weatherproofing, tin plated terminals, easy grip connectors and heavy duty cable.

19-3206 15181 Flex Coil Adapter W/Nite-Glow

## DIODE BLOCK



### QUICK-LOCK DIODES™

Saves installation time over traditional diode blocks. Integrated quick-splice. 5 amps capacity. Enhanced weatherproofing (grease packet included)

71-5231	33070	Quick Lock Diodes 4/card
71-5232	33071	Quick Lock Diodes 1/card

## CONNECTORS



### MULTI-TOW® 7-WAY BLADE AND 4-WAY FLAT LED CONNECTOR

- Illuminates on taillight function to verify electrical continuity
- Assists in confirming your trailer connection

71-5229	33068	LED 7 Blade Trailer 1/card
---------	-------	----------------------------



### 7-WAY RV BLADE TRAILER CONNECTOR END

Vehicle side socket (car end) is impact and corrosion resistant. Trailer side plug is also impact and corrosion resistant, with easy-pull grip design. Both ends have rear grommet/strain relief for weatherproofing.

19-3232	30015	Car End, 1/card
19-3236	30135	Trailer End, 1/card
19-3238	30140	Trailer End, Bulk



Patented

### ENDURANCE™ MULTI-TOW® 7-WAY BLADE AND 4-WAY FLAT GM TWIST-MOUNT CONNECTOR

- Impact and corrosion resistant
- Applies to over 30 different vehicle applications
- Utilizes OEM connectors to create an exact fit and maximum weatherproofing
- Endurance design feature ensures years of trouble-free use.
- Multi-Tow® provides multiple towing options from one connector

71-5218	33057	MT 7 Blade & 4 Flat 1/card
---------	-------	----------------------------



### ENDURANCE™ MULTI-TOW® 4-WAY FLAT TO 7-WAY BLADE & 4-WAY FLAT CONNECTOR

- Multi-Tow® provides multiple towing options from one connector
- Provides sockets for both 7 blade and 4 flat trailers
- Allows existing vehicle end 4 flat to adapt to a 7 Blade
- Easy-open, weatherproof lid with rugged, oversized hinge allows lid to open 180 degrees
- Impact and corrosion resistant
- Mounting bracket and hardware included
- 3-year warranty

71-5222	33061	MT 7 Blade & 4 Flat 1/card
---------	-------	----------------------------

### 7-WAY RV BLADE PLASTIC TRAILER CONNECTOR CAR END

Vehicle side socket, impact and corrosion resistant. Rear grommet/strain relief for weatherproofing.

19-3247	32576	Car End Plastic Bulk
---------	-------	----------------------



### ENDURANCE™ MULTI-TOW® 7-WAY BLADE AND 4-WAY FLAT VEHICLE 4-HOLE MOUNT CONNECTOR

- Plug-In Simple! No cutting, No splicing, Saves time
- Connects to vehicle's OEM tow package connector
- Applies to over 26 vehicle makes and 70 models
- Easy-open, weatherproof lid with rugged, oversized hinge allows lid to open 180 degrees
- Impact and corrosion resistant
- Mounting hardware included
- 3 year warranty

71-5219	33058	MT 7 Blade 4 Flat 1/card
---------	-------	--------------------------



Patented

### MULTI-TOW® 7-WAY BLADE AND 4-WAY FLAT CONNECTOR

- Multiple towing options from one connector
- Connects to your vehicle's OEM tow package
- Exact OEM replacement for enhanced fit and maximum weatherproofing
- Applies to over 18 different vehicle Makes equipped with a factory tow package
- High impact, ABS plastic construction

71-5220	33059	MT 7 Blade & 4 Flat 1/card
71-5233	33072	MT 7 Blade & 4 Flat Bulk

### 7-WAY RV BLADE TRAILER END METAL CONNECTOR WITH BRACKET

Ergonomic pistol grip for easier handling. Ultimate weatherproofing protects connection. Includes terminal grease, mounting bracket & hardware. Die cast housing for durability.

19-3241	30499	7RV Trailer End Conn (Metal)
---------	-------	------------------------------



## CONNECTORS

### MULTI-TOW™ 7-WAY RV BLADE, 4 & 5-WAY FLAT CONNECTOR

Provides multiple towing options from one connector. Reinforced easy-grip lid opens 180° for easier connections. Internal seals for weatherproofing. Long life oversized hinge. Mounting bracket, hardware and terminal grease packet included. 3-yr. warranty.

19-3858 30498 7 to 4&5 Flat Multi-Tow Adapter



### 7-WAY BLADE FORD/CHEVY/GMC OEM REPLACEMENT CONNECTOR

Compatible with Ford, GM and other popular tow vehicles. Plug-In Simple!® for quick and easy installation or replacement. Durable lid opens 180 degrees. Ultimate weatherproofing. 3-yr warranty.

19-3200 30175 Socket Us-car 7-Way



### 6-WAY ROUND METAL TRAILER END CONNECTOR

Die-cast zinc for durability. Impact and corrosion resistant.

19-3864 32571 Connect 6Way Zinc Trl End Cd/1



### 7-WAY RV BLADE METAL TRAILER CONNECTOR

Trailer side plug is made with aluminum housing and corrosion resistant terminals. Vehicle side socket has corrosion resistant terminals and aluminum housing.

19-3249 32575 7Way Met Trl End Cd/1  
19-3865 32427 7Way Metal Trl End Bulk



### 4-WAY ROUND METAL TRAILER END CONNECTOR

Die-cast zinc for durability. Impact and corrosion resistant.

19-3863 32579 Connector 4Way Chr Car End  
19-3868 32566 Connector 4Way Zinc Car End



### ENDURANCE™ 7-WAY RV BLADE FORD/CHEVY/GMC OEM REPLACEMENT CONNECTOR

Professional grade 7-way premium car end is compatible with Ford, GM and other popular tow vehicles. Plug-In Simple!® for quick and easy installation or replacement. Durable lid opens 180 degrees. Ultimate weatherproofing.

19-3243 32564 Connect 7Way Prem Car End  
19-3861 32565 Connect 7Way Prem Car End CD/1



### 7-WAY ROUND METAL CAR END CONNECTOR

Heavy-duty die-cast zinc design. Impact and corrosion resistant.

19-3860 30465 7 Pole Rd Car End (Metal)



### 7-WAY TRAILER END CONNECTOR WIRING KIT

Heavy-duty rubber trailer connectors fit with thermoplastic or metal 7-way car end connectors. Primary wire gauges are 10-gauge (black, white), 12-gauge (blue), 14-gauge (brown, red, green, yellow).

19-3366 19356 With 8' Cable  
19-3365 19430 With 12' Cable



### ENDURANCE™ 7-WAY RV BLADE TWIST MOUNT CONNECTOR

The Endurance Twist-Mount 7 Blade Connector is compatible with current GM tow vehicles. Incorporating Endurance design features enables this connector to last for years of trouble-free use. Exact O.E.M. fit. Plug-In Simple!® for quick and easy installation or replacement.

19-3199 31625 Husky 7Rv W/Gm Twist Loc



### 6-WAY ROUND PLASTIC TRAILER END CONNECTOR

Impact and corrosion resistant. Weatherproof rubber boot protects back of connector.

19-3245 32577 Connector 6Way Plast Car End



### FIFTH WHEEL HARNESSES

Easily route towing electrical functions into the truck bed for 5th wheel trailers, while retaining electrical functions at the rear of the vehicle. Fits Chevy/GMC, Ford, Dodge/Ram, Nissan, and Toyota trucks.

19-3203 30342 5th Wheel Harness 10'  
19-3204 30345 5th Wheel Harness 10'  
19-3202 30392 5th Wheel T-Connector



## ADAPTERS



### 7-WAY RV BLADE TO 6-WAY ROUND ADAPTER

Includes dust cover. Easy-pull grip and corrosion resistant tin-plated terminals. Universal center pin can be switched to auxiliary or electric brake.

19-3212 30314 Center Pin Auxiliary



### 7-WAY RV BLADE TO 4-WAY FLAT ADAPTER

Ergonomic one-piece design enhances weatherproofing. Includes dust cover. Impact and corrosion resistant.

19-3208 30313



### 7-WAY RV BLADE TO 5-WAY FLAT ADAPTER

Impact and corrosion resistant. For use with marine trailers equipped with surge brakes. Includes dust cover. Enhanced weatherproofing.

19-3209 30692 Adapter 7Rd Blade To 5Flat



### MULTI-TOW™ 7-WAY RV BLADE TO 6-WAY ROUND & 4-WAY FLAT ADAPTER

7-way RV blade to BOTH 6-round and 4-wire flat adapter with dust cover. On 13176, the center pin is auxiliary, and the universal center pin can be switched to electric brake. On 13177, the center pin is for the electric brake, and the universal center pin can be switched to auxiliary.

19-3701 13176 7 to 6&4 Multi-Tow  
19-3702 13177 7 to 6&4 Multi-Tow



### 7-WAY RV BLADE TO 4-WAY FLAT CONNECTOR ADAPTER

Take the guesswork and frustration out of vehicle-to-trailer wiring with Husky Connector Adapters.

19-3189 13170 7Blade To 4Flat Adapter



### 7-WAY RV BLADE TO 7-WAY ROUND CONNECTOR ADAPTER

Adapts 7-Way Round to 4-Way Flat

19-3191 13064 7RV Blade To 7Pin Adapter



### 7-WAY RV BLADE TO 4 OR 5-WAY FLAT LED FLEX ADAPTER

Provides for flexible reach. Includes function testing LEDs and easy-pull grip design. Dust cover and protected wire for added durability.

19-3845 30468 Flex-Adpt 7RV to 4 Flat w/Led  
19-3846 30473 Flex-Adpt 7RV to 5 Flat w/Led



### MULTI-TOW™ 7-WAY RV BLADE TO 6-WAY ROUND AND 4 & 5-WAY FLAT ADAPTER

Patented Quick-Change™ plug quickly accommodates both 6 pole wiring codes. Multi-Tow® Adapter provides four different trailer towing options from a single device. Overbuilt hinge, lid, and connector housings provide maximum durability. Impact and corrosion resistant. Tin-plated terminals with terminal grease packet provided. Plug-In Simple!® eliminates rewiring vehicle or trailer. No cutting, no splicing.

19-3213 30484 Adapter 7Rv To 4&5 Flat W/Led



### 7-WAY RV BLADE TO 4-WAY FLAT PLUG-IN SOLUTION® LED ADAPTER

Husky's LED vehicle-to-trailer adapter series incorporates built-in trouble-shooting. If the trailer lights are not functioning correctly, you can isolate the problem by simply looking at the adapter. If the lights on the adapter are functioning, it's a trailer-side problem. If the lights are not functioning, the problem is with the vehicle.

19-3188 15174 Adapter 7Rv Blade To 4Flat Led



### 7-WAY RV BLADE TO 4 & 5-WAY FLAT ADAPTER

Adapts 7-Way Blade (RV) to 5-Way and 4-Way Flat.

19-3838 14437 Adapt Multi Tow 7 to 5 4

## ADAPTERS



### 4-WAY ROUND TO 4-WAY FLAT CONNECTOR ADAPTER

Adapts 7-Way Round to 4-Way Flat

19-3190 13173 7Blade To 4Flat Adapter



### 6-WAY ROUND TO 7-WAY RV BLADE ADAPTER

Die-cast zinc for durability (6 pole round). Flexible wire provides extra reach. Corrosion resistant terminals.

19-3703 30693 6 Round to 7 Blade



### MULTI-TOW™ 7:4 ADAPTER

Provides 7-way RV blade or 4-wire flat towing, both from one location. Weatherproof design. Plugs into a 7-pole on the tow vehicle. Mounting bracket and hardware included.

19-3186 13092 7 to 7:4 Multi-Tow Adapter



### 6-WAY ROUND TO 4-WAY FLAT CONNECTOR ADAPTER

Adapts 7-Way Round to 4-Way Flat

19-3700 13168 6Rd To 4Flat Adapter



### 7-WAY ROUND TO 4-WAY FLAT ADAPTER

Impact and corrosion resistant. Easy-pull grip design. Includes dust cover.

19-3210 30341 Adapter 7Round-4Flat



### MULTI-TOW™ 7:4 ADAPTER

Provides 7-way RV blade or 4-wire flat towing, both from one location. Weatherproof design. Mounting bracket and hardware included.

19-3201 17363 Husky Multi Tow 7:4 OEM Repl



### 6-WAY ROUND TO 4-WAY FLAT W/LED FLEX ADAPTER

LED test lights verify electrical continuity. Flexible wire provides larger turning radius. Dust cover and grease packet protect terminals.

19-3844 30466 Flex-Adpt 6Rd To 4 Flat W/Led



### 4-WAY FLAT TO 7-WAY BLADE ADAPTER

Take the guesswork and frustration out of vehicle-to-trailer wiring. Pre-wired adapters give you a means to create a custom wiring system.

19-3699 13166 Plastic, Each



Eliminates rewiring vehicle or trailer.

15258



### SPECIALTY ADAPTER EXPANSION

**7-Pin to 7RV Adapter** - Designed for tow vehicles with a 7-pin connector and adapts to trailers equipped with a 7RV Blade connector. Flexible wire provides extra reach. Easy grip design.

**7-Pin to 6-Round Adapter**—Designed for tow vehicles with a 7-pin connector and adapts to trailers equipped with a 6-way round connector. Easy grip design.

19-3211 15253 Adapter 7Pin To 7RV  
19-3847 15258 Adapter 7Pin To 6 Round



### 6-WAY ROUND TO 4-WAY FLAT ADAPTER

Includes dust cover. Impact and corrosion resistant. Easy-pull grip design.

19-3207 30315 Adapter 6Round To 4Flat



### MULTI-TOW™ 7:4 ADAPTER

Provides 7-way RV blade or 4-wire flat towing, both from one location. Weatherproof design. Plugs into a 4-wire flat on the tow vehicle.

19-3187 13165 4 to 7:4 Multi-Tow Harness





### HARNESS ADAPTER: DODGE / CHRYSLER / JEEP OEM QUICK-INSTALL™ WIRING KIT

Allows for Dodge trucks to adapt to the Quick-Install™ 7 RV Blade. Reinforced lid opens 180 degrees to prevent breaking. Ultimate weatherproofing.

19-3205 30406 Harness Adapter 7Way



### HUSKY 2 POLE IN-LINE SET

Contains matched set positive/negative male and female connectors. Corrosion resistant tin-plated terminals and rear protective boot. Easy install to rear of connector. 5/16" distance between terminals. Allows for any length wires to be attached and set in protective rubber boot. Commonly used on 12-volt accessories.

19-3850 30258 Connector 2-Pin Round

## MOUNTING BRACKETS



### CONNECTOR MOUNTING BRACKETS

Works with all 7 RV Blade vehicle end sockets. Fits Multi-Tow® and Endurance™ 6 Pole Round vehicle end sockets.

19-3250 32582 Bulk



### UNIVERSAL MOUNTING BRACKET

Works with all 7 RV Blade vehicle side connectors. Fits Multi-Tow® and Endurance™ 6 Pole Round vehicle side connectors. Slotted bracket for easy pre-wired installation

71-5230 33069 Universal Bracket 1/card

## FLAT EXTENSION HARNESSES AND CONNECTORS



### 2 WIRE FLAT EXTENSION HARNESS

12" length. For use with 12-volt accessories, this wire can be cut to provide 2 replacement plugs or a plug-in connection for a hardwired accessory. Corrosion resistant terminals. Red/white.

19-3192 30310 Connector 2-Way Flat Bulk  
19-3217 30259 Connector 2-Way Flat Pkg/2



### 3 WIRE FLAT EXTENSION HARNESS

12" length. Multi-use, male and female connectors. 2 function wires with 1 ground wire.

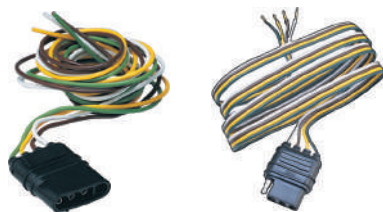
19-3840 30311 Connector 3-Way Flat Bulk  
19-3839 30268 Connector 3-Way Flat Pak/1



### 4 WIRE FLAT EXTENSION HARNESS

Extends wiring system 12" - 18" for more flexibility. Passes through vehicle ground.

19-3230 30170 18"L,Bulk  
19-3853 30280 12"L, 1/card  
19-3218 30312 12"L,Bulk



### 4 WIRE FLAT EXTENSION CAR OR TRAILOR END CONNECTORS

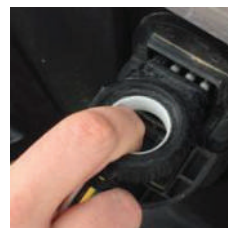
A 4-wire flat is the most commonly used trailer plug. This plug is found on small boat, utility, jet ski, snowmobile and small camper trailers.

19-3193 13190 Car End, 12"  
19-3194 13191 Car End, 48"  
19-3196 13192 Trailer End, 12"  
19-3197 13193 Trailer End, 48"



Easy-Pull™  
Innovation

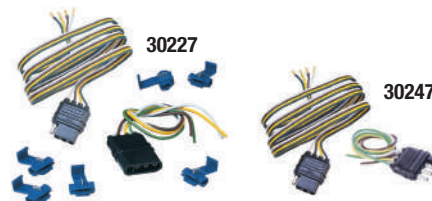
Patent Pending



### 4 WIRE FLAT EASY-PULL™ LED CONNECTORS

- Hassle-free connection and disconnection
- Most intuitive by incorporating an ergonomic finger pull
- Easiest to use in all environments
- 3 year warranty

71-5223 33062 4 Flat Vehicle Side (48")  
71-5224 33063 LED 4 Flat Vehicle Side (48")  
71-5225 33064 4 Flat Trailer Side (12")  
71-5226 33065 LED 4 Flat Trailer Side (12")  
71-5221 33060 4 Flat Extension (48")  
71-5227 33066 LED 4 Wire Flat Extension (12")



### 4 WIRE FLAT EXTENSION SET (48" VEHICAL END, 12" TRAILOR END CONNECTORS)

48" vehicle and 12" trailer end with corrosion resistant terminals. Wire functions are printed on wire for easy reference. Ridges on body provide extra grip. Meets SAE standards.

19-3854 30227 Connector 4-Way Flat 56" Kit  
19-3231 30247 Connector 4-Way Flat 60" Kit

## FLAT EXTENSION HARNESSES AND CONNECTORS



### 4 WIRE FLAT VEHICLE END CONNECTOR

48" length. Includes terminal grease and ground screw. Ergonomic grip for easier handling. Superior weatherproofing and durability.

19-3851 30487 4 Wire Flat Vehicle End



### 4 WIRE FLAT TRAILER END WITH Y-HARNESS

20 ft length wiring kit for re-wiring or new installs on trailers. Wishbone design allows for the taillight brown wires to extend to both taillights. Easy-pull grip for connecting/disconnecting. Heavy duty connector housings have built-in mounting holes. Protective nylon wire sleeving, heat-shrink tubing, and serrated ground terminal for proper grounding. Includes molded-in dust cover and grease packet. Corrosion resistant tin-plated terminals. Function printing on color-coded wires.

19-3855 30496 4 Wire Flat Trailer End W/Y-Harness



### 4 WIRE FLAT QUICK-FIX™ FLAT TRAILER CONNECTOR SET

Repairs/replaces damaged 4-flat. Matched set (vehicle and trailer). No external splices to create corrosion point. Easy to install: just cut off damaged 4-wire flat, insert wires into Quick-Fix Flat, compress internal splices, connect vehicle to trailer AND GO!

19-3198 15180 Quick Fix 4-Wire Flat Set

### 4 WIRE FLAT LED TESTER KEYCHAIN

LED indicator lights test left/right turn, brake and taillight. Red LED lights will glow if connection is correct when the function is activated.

02-0049 30178 Circuit Tester 4-Way Flat



### 5 WIRE FLAT EXTENSION CONNECTOR

48" length. Corrosion resistant terminals. For use with marine trailers equipped with surge brakes.

19-3215 30427 Connector 5Way Flat 48In LED



### 5 WIRE FLAT VEHICLE END CONNECTOR

48" length. 5th wire provides back-up function on boat trailers releasing the surge brakes. Industry's best, 3 year warranty. Maximum durability, superior ergonomics. Easy-pull grip ease in connecting and disconnecting. Heavy duty connector housings with built-in mounting holes. Protective nylon wire sleeving and heat-shrink tubing. Includes molded-in dust cover, grease packet, and ground screw provided.

19-3848 30485 5 Wire Flat Vehicle End



### 5 WIRE FLAT TRAILER END CONNECTOR

18" length. 5th wire provides back-up function on boat trailers releasing the surge brakes. Industry's best, 3 year warranty. Maximum durability, superior ergonomics. Easy-pull grip. Heavy duty connector housings with built-in mounting holes. Includes trailer side molded-in dust cover and grease packet. Protective nylon wire sleeving and heat-shrink tubing.

19-3849 30486 5 Wire Flat Trailer End

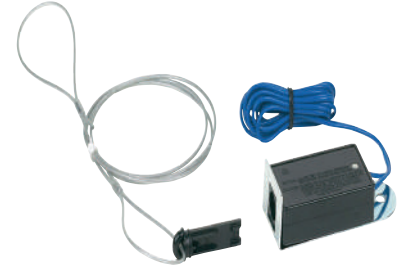
## BREAK-AWAY SWITCHES



### LED BREAK-AWAY SWITCH

LED verifies 12-Volt power is being transferred to the trailer brakes. • Durable pin and vehicle hook-up cable. • Weatherproof design.

14-0982 30462 LED Breakaway Switch, Bulk



### BREAK-AWAY SWITCH (44" WIRES)

Durable pin and vehicle hook-up cable. Mounting bracket attached. Plunger grommet creates secure fit.

14-0981 30457 Brake-Away Switch, Bulk

## POWER TAILLIGHT CONVERTERS

These units completely isolate the tow vehicle from trailer malfunctions. Power is taken directly from the battery for isolation and brighter trailer taillights. Each unit can power up to 3 sets of stop/turn signals (8.0 amps) on the trailer. For vehicles equipped with independent bulb turn signals and brake lights or common bulb systems.



### POWER TAILLIGHT CONVERTER (RELAY SYSTEM)

Provides isolation needed to bypass sensitive vehicle electronics. Can power up to 8.0 amps per output.

17-0644 13162 Pwr Taillight Conv Husky



### SHORT-PROOF POWER TAILLIGHT CONVERTER

Recommended universal converter application. Short circuit protected. Can power up to 8.0 amps per output. Protects tow vehicle electronics and itself from wiring shorts. Self-resetting.

19-3698 13163 Short Proof Pwr Conv Husky

## ELECTRONIC TAILLIGHT CONVERTER

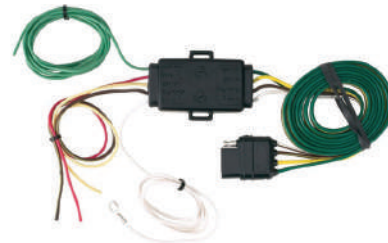
Electronic taillight converters adapt an independent bulb taillight system of the tow vehicle to the common bulb taillight system of the trailer. Each unit can power 2.1 amps per stop/turn signal.



### TAILLIGHT CONVERTER, 48"

For repairing damaged taillight converter.

17-0687 13186 Tail Light Conv Husky



### LED COMPATIBLE TAILLIGHT CONVERTER

72" long electronic taillight converter adapts tow vehicle's taillight system to the trailer's. Powers up to 2.1 amps per output. Double-molded weatherproof design, includes dust cover. Converter mounts in trunk out of harm's way. Corrosion resistant terminals. Compatible with LED lights on vehicle.

17-0658 30428 Tail Light Conv Husky

### VEHICLE TOWING VEHICLE TAILLIGHT ISOLATING KIT

Permanently installs on towed vehicle near taillights

19-3841 13189 Tail Light Conv Husky



## CUSTOM WIRING HARNESSES FOR BRAKE CONTROLS

For the Husky Quest®, Escort® Digital and Ascend. These fit all Husky brake controls that have a similar shaped plug. Simply attach the adapter to the Husky brake control. The safest/easiest way to wire a brake control to your tow-prepped vehicle. Clamshell packed.



<b>DODGE</b> 2010-12 Ram Pickups	17-0671	31870	B/C Harness Dodge
<b>DODGE</b> 2013-14 Ram 1500 Pickups w/tow pkg	17-0673	32080	B/C Harness Dodge
<b>DODGE/CHRYSLER</b> 1995-09 Ram Pickups w/tow pkg; 1997-2011 Dakota; 1998-2009 Durango w/tow pkg	17-0649	31687	B/C Harness Dodge
<b>DODGE/JEEP</b> 2011-14 Durango, Grand Cherokee (w/tow)	17-0713	30011	B/C Harness Durango
<b>FORD</b> 2009-15 F-150; 2012-14 Flex; 2012-13 MKT	17-0710	30009	B/C Harness Ford
<b>FORD</b> 1992-93 F-Series, Bronco	17-0661	31859	B/C Harness T/S Bronco
<b>FORD/LINCOLN</b> 2008-15 F-250/350/450/550; 2009-15 E-150/250/350; 2009-15 E-350/450 RV; 2013 Expedition; 2013-14 Navigator	17-0711 17-0664	30013 31862	B/C Harness Ford B/C Harness T/S Ford
<b>CHEVY/GMC/CADILLAC/HUMMER</b> 2003-2006 Silverado, Suburban/Tahoe, Avalanche, Denali/Sierra, Yukon, Escalade; 2007 Sierra Classic, Silverado Classic; 2003-07 H2; 2005-07 H2 SUT	17-0709 17-0668	31691 31866	B/C Harness GM/Chev B/C Harness T/S GM
<b>CHEVY/GMC/CADILLAC</b> 1999-2002 Silverado; 2000-02 Suburban/Tahoe; 2002 Avalanche; 1999-02 Denali; 2000-02 Denali XL; 1999-2006 Sierra; 2000-02 Yukon/Yukon XL; 2000-02 Escalade	17-0667	31865	B/C Harness T/S GM
<b>GM/CHEVY/BUICK/SATURN</b> 2008-14 Acadia; 2008-14 Traverse; 2008-15 Enclave; 2007-09 Outlook	17-0656	31872	B/C Harness GM
<b>HONDA</b> 2006-13 Pilot; 2006-12 Ridgeline	17-0712	30010	B/C Harness Honda
<b>TOYOTA / LEXUS</b> 2003-13 4-Runner; 2002-12 Sequoia; 2003-14 Tundra; 2005-13 Tacoma; 2003-11, 13 Land Cruiser; 2010-13 GX 460; 2004-10 GX 470; 2008-11, 13 LX 570	17-0653	31697	B/C Harness Toyota
<b>Square to Flat T-Style B/C Adapter</b>	17-0693	31857	T/S B/C Adapter

See Husky Brake Controllers on pages 24 - 25 and a detailed application chart on page 57.



## BRUTE & SUPER BRUTE SERIES POWER JACKS

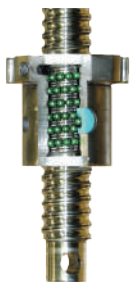
Brute was the first jack in its class to offer a ball screw for low rolling friction, compared to the sliding friction of standard power jacks with ACME screws. Rolling friction means the motor works less, draws less amperage, creates less heat, reduces noise and increases motor and jack life. A ball screw is standard on all Brutes. The Super Brute HSB5000R is equipped with a hi-capacity ball nut for a higher rated load. HB4500R and HSB5000R include remote control to make leveling more convenient.

POWER JACKS



87641  
Brute Series

Advanced 20mm Ball Screw design provides superior lifting capacity, reduces friction, amperage draw and motor wear.



88141  
Brute Series

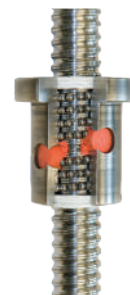


82022  
Super Brute Series

Weather-protected, soft-trigger switches with back-lit panel.



Hi-capacity ball nut in HSB5000R gives 33% increase in rated capacity



PART #	MFG #	MODEL	LIFT CAPACITY (LBS.)	TOTAL LIFT	STROKE	DROP LEG	LEVEL INCLUDED	COVER
<b>SUPER BRUTE SERIES</b>								
15-1460	82084	HSB4000	4,000 lbs.	24"	18"	6"	Yes	Silver
15-1459	82022	HSB5000R	5,000 lbs.	24"	18"	6"	Yes	Silver
<b>BRUTE SERIES</b>								
15-1462	87248	HB3000	3,000 lbs.	24"	18"	6"	No	Dark Grey
15-1461	87247	HB4500	4,500 lbs.	24"	18"	6"	Yes	Dark Grey
15-1463	87641	HB4500R	4,500 lbs.	24"	18"	6"	Yes	Dark Grey
72-1113	88141	HB4500	4,500 lb	24"	18"	6"	Yes	White



### BRUTE SUPER FOOT

- Retractable jack extension increases trailer jack tube reach by 7" and greatly reduces cranking for set up and hitching.
- Large foot plate features plenty of surface area for stability; 6,500 lbs. capacity.
- Installation is quick and easy with no drilling required.
- Works with all standard manual and electric jack posts with 2" or 2-1/4" tubes.
- Limited 2 Year Warranty

15-1455 31610 Super Foot  
19-3836 82030 Black Nylon Bushing 2pcs.

### PLASTIC WHEEL CHOCKS

- Use when vehicle is parked
- Prevents rolling when changing tires
- Durable, high impact plastic
- Cross-ribbed surface

15-1566 95036 Wheel Chocks 6/pk  
15-1565 38511 Wheel Chocks 2/pk



## A-FRAME & SWIVEL JACKS

### A-FRAME TOP-WIND & SIDE-WIND JACKS

- Available in a variety of weights (up to 5,000 lbs.)
- Maximum stroke 14-7/8" for top-wind jacks and 15-3/8" for side-wind jacks
- Convenient top-mounted or side-mounted handle
- Easy bolt-on installation on most applications
- Designed to accept a footpad
- Can also be welded on
- Durable powder-coat and zinc plate finish
- Zerk fitting provided for convenient lubrication
- Footpad use recommended for 5,000 lb. top-wind jack.



### SIDE-WIND SWIVEL JACK

- Easily swivels to horizontal towing position
- 1,000 lb. rated tongue load
- Ergonomic handle grip
- Fits tongues up to 3" thick x 3"-5" height
- 10" Vertical travel
- Heavy duty polypropylene wheel
- Side crank with heavy duty drive screw
- Zinc plated finish
- Heavy duty pivot joint
- Zerk fitting provided for convenient lubrication
- Mounting hardware and instructions included



PART #	MFG #	LIFT CAPACITY (LBS.)	HANDLE	STROKE	OUTER TUBE	INNER TUBE	EXTENDS	RETRACTS
<b>A-FRAME TOP-WIND &amp; SIDE-WIND JACKS</b>								
15-1584	30774	1,000 lbs.	Top-wind	14-7/8"	2"	1-3/4"	23-3/8"	8-1/2"
14-1071	88126	1,000 lbs., Bulk	Top-wind	14-7/8"	2"	1-3/4"	23-3/8"	8-1/2"
15-1585	30775	2,000 lbs.	Top-wind	14"	2-1/4"	2"	23-1/4"	9-1/4"
14-1075	88127	2,000 lbs., Bulk	Top-wind	14"	2-1/4"	2"	23-1/4"	9-1/4"
15-1567	30780	5,000 lbs.	Top-wind	14-1/2"	2-1/4"	2"	25-1/2"	11"
14-1076	88128	5,000 lbs., Bulk	Top-wind	14-1/2"	2-1/4"	2"	25-1/2"	11"
15-1568	30781	1,000 lbs.	Side-wind	15-3/8"	2"	1-3/4"	24-1/4"	8-7/8"
14-1077	88129	1,000 lbs., Bulk	Side-wind	15-3/8"	2"	1-3/4"	24-1/4"	8-7/8"
15-1586	30782	2,000 lbs.	Side-wind	14-3/8"	2-1/4"	2"	23-1/2"	9-1/8"
14-1078	88130	2,000 lbs., Bulk	Side-wind	14-3/8"	2-1/4"	2"	23-1/2"	9-1/8"
71-5272	88131	1,000 lbs., Jack Cap	Side-wind	15-3/8"	2"	1-3/4"	24-1/4"	8-7/8"
71-5273	88132	2,000 lbs., Jack Cap	Side-wind	14-3/8"	2-1/4"	2"	23-1/2"	9-1/8"
<b>SIDE-WIND SWIVEL JACK</b>								
15-1561	30655	1,000 lbs.	Side-wind	N/A	2"	1-3/4"	N/A	N/A

### 5TH WHEEL STABILIZERS

- Reduces side-to-side and fore-to-aft movement of parked 5th wheels.
- Legs adjust to fit king pin heights from 34" to 56" (adjustable stabilizer) or 33" to 55" (non-adjustable stabilizer).
- Chain with S hook for quick and easy adjustments.
- Adjustable stabilizer features an adjustable, lockable hitch cup to fine-tune the height for a perfect fit and help prevent theft.
- Both have a maximum vertical load rating of 5,000 pounds.
- **No tools required!** Assemble feet and legs with lynch pins.

- 15-1535 75203 Adjustable 5th Wheel Stabilizer
- 15-1559 76942 Non-Adjustable 5th Wheel Stabilizer

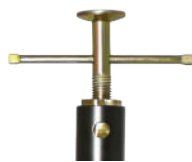


Allows fine adjustment of king pin cup height up to 4-1/2".

## TELESCOPIC STABILIZER JACK

- Recommended for motor homes, 5th wheels, and travel trailers
- Zinc-plated inner tube and screw assembly
- Adjustable from 16" to 30"
- Quick and easy pull pin for 8" of telescopic adjustment, plus 7" of additional screw adjustment
- Steel construction; 7,500 lb. load capacity
- Complete set of 2

15-1494 70564 16" - 30"



7" of additional screw adjustment



## ECONOMY SLIDE-OUT STABILIZERS

- Greater stability; reduces sag
- Prevent wear and tear and costly slide-out frame repairs
- Easy to operate; no assembly required
- Heavy duty steel construction
- Durable powder coat and zinc finish
- Includes a 5" footpad, 2/box

15-1468 81079 16-1/2" - 29-1/4"  
 15-1469 81080 20-3/4" - 38-5/8"  
 15-1470 81081 26-1/4" - 49-1/4"



Weight Rating:  
 5,000 lbs.  
 per pair

## SCISSOR JACKS

- Levels and stabilizes 5th wheel and travel trailers
- Durable, sturdy steel construction
- Rust-resistant black e-coating
- Designed for today's larger and heavier units
- Conveniently concealed when not in use
- Easy to install; complete instructions inside
- Easy to extend and retract
- Large 26 square inch foot pad
- Bolt-on front and rear universal applications
- Can be welded on
- 2 year warranty

### Accessories:

15-1541 76850 Speed handle for 7,500 lb. jack  
 71-5269 88123 Speed handle for 5,000 lb. jack  
 14-1196 71195 Screw kit, 8/pkg



## DRILL SOCKET ADAPTER

- Enables faster raising and lowering of scissor jacks
- Fits all 3/4" hex drive jacks
- Durable, zinc-plated non-corrosive finish
- Made from steel for strength and durability
- Fits 3/8" and larger drill chucks

14-1068 88120 Drill Socket Adapter



88121



88124



76862

PART #	MFG #	MODEL	QTY.	CAPACITY (LBS.)	HANDLE	LIFT	WEIGHT	RETRACTED HEIGHT
<b>SCISSOR JACKS</b>								
15-1558	76862	Heavy Duty	Pair	7,500lbs. (each)	Swivel	24"	12.3lbs. (per jack)	4-5/16"
15-1578	72139	Heavy Duty	Single	7,500lbs.	Not included	24"	12.3lbs.	4-5/16"
71-5270	88124	Standard	Pair	5,000lbs. (each)	Swivel	30"	15.7lbs. (per jack)	4-5/16"
71-5271	88125	Standard	Single	5,000lbs.	Not included	30"	15.7lbs.	4-5/16"
71-1712	88121	Economy	Pair	5,000lbs. (each)	Swivel	24"	10.2lbs. (per jack)	4-5/16"
14-5268	88122	Economy	Single	5,000lbs.	Not included	24"	10.2lbs.	4-5/16"
14-1874	88134	Leveling	Pair	5,000lbs. (each)	Swivel	20"	10lbs. (per jack)	4-5/16"
14-1876	88135	Leveling	Single	5,000lbs.	Not included	20"	10lbs.	4-5/16"

## ALUMINUM MOBILITY WHEELCHAIR AND CARGO CARRIER



Gradual slope ramp allows easy loading and unloading

- The extra wide bed of this aluminum wheelchair carrier accommodates most mobility vehicles up to 500 lbs.
- Aluminum construction makes it lightweight and easy to handle
- The gradual slope on the fold-up ramp makes loading your wheelchair or mobility scooter a breeze
- Attaches to any 2" trailer hitch
- Deck Planking is engineered to provide more surface area for easier loading
- 2 tie-down anchor points secure and stabilize load during transport
- Carrier measures: 50-1/2" L x 30" W x 4" H, Ramp: 47" L x 29-1/2" D
- 500 lbs. capacity

71-7967 88133 Wheelchair/Cargo Carrier



Deck planking is engineered to provide more surface area for easy loading

Extra wide deck



Fold-up ramp locks in place for secure and reliable transport



Folds up when not in use

## HEAVY-DUTY FOLDABLE CARGO CARRIER



- Large 20" x 60" x 6" platform
- Heavy duty, all steel square tubular construction
- Extension bar fits 2" receiver
- Corrosion-resistant
- Powder-coated
- Inside rack measurement: 58" long x 18" wide x 5.5" deep
- 500 lb. capacity

05-0048 81149 Heavy-Duty Cargo Carrier



Folds up when not in use

## EXTRA WIDE CARGO CARRIER



- Large 23.5" x 60" x 3" platform for maximum cargo space
- Rugged long lasting powder coated steel construction
- Extra tie down utility holes so cargo stays put
- Fits 2" hitch receiver
- Non-folding.
- 500 lb. capacity.

05-0049 81148 Extra Wide Cargo Carrier



### BALL MOUNT 2-BIKE RACK

- A fast and easy solution for your bicycle hauling needs
- Easy to use trailer ball mount bike racks attach with your hitch ball and nut securing the carrier.
- Drop down feature allows quick access to rear of most vehicles.
- Rubber cradles can be locked to protect bikes from theft.
- Holds two bicycles
- Heavy metal design
- Powder-coated finish
- Load capacity: 60 lbs.

16-0175 81145 Ball Mount Bike Rack

## BIKE RACKS



### HITCH MOUNT 2-BIKE RACK

- Mounts to 2" receiver
- Drop down feature allows quick access to rear of most vehicles.
- Rubber cradles can be locked to protect bikes from theft.
- Holds two bicycles
- Heavy metal design
- Powder-coated finish
- Load capacity: 60 lbs.

16-0169 81146 Hitch Mount 2-Bike Rack



### HITCH MOUNT 4-BIKE RACK

- Mounts to 2" receiver
- Deluxe steel carrier converts from 2 to 4 bike carrier with easy to use included extension.
- Drop down feature allows quick access to rear of most vehicles.
- Rubber cradles can be locked to protect bikes from theft.
- Powder-coated finish
- Load capacity: 120 lbs.

16-0170 81147 Hitch Mount 4-Bike Rack

## HUSKY<sup>®</sup> TOWING PRODUCTS 4ft. PLANOGRAM PREPACK

The 4ft. Planogram displays 81 skus of towing ball mounts, pintle hooks, pins, clips and much more. Husky towing products span the spectrum from fifth wheels, goosenecks, weight distribution systems, & bumper receiver hitches. Husky is also your source for a complete line of electrical products & towing accessories. Ask a sales representative how this product could help enhance your store's towing offering.



81-0957 90345KIT 4ft. Towing Products POGEN

#### PEG BOARD - ROW 1

NTP-STAG NO.	MFG. NO.	DESCRIPTION	QTY
14-1057	34915	Ball 1-7/8 x 3/4 x 1-3/4 Chr Pak/1	3
14-1059	34917	Ball 2 x 3/4 x 1-3/4 Chr Pak/1	3
14-1060	34918	Ball 2 x 1 x 2-1/8 Chr Pak/1	3
14-1325	34924	Ball LS 2 x 1 x 2-7/8 Chr Pak/1	3
14-1061	34919	Ball 2-5/16 x 1 x 2-1/8 Chr Pak/1	3
15-1492	34521	Hitch Pin/Clip 1/2" Cd/1	4
20-0558	34819	Hitch Lock 1/2"	4
14-0980	38446	Rec Cover Black 2" Bulk	2
14-0980	38446	Rec Cover Black 2" Bulk	2

#### PEG BOARD - ROW 2

NTP-STAG NO.	MFG. NO.	DESCRIPTION	QTY
20-0600	38790	5th Wheel King Pin Lock	2
20-0606	38958	Coupler Lock Cd/1	3
15-1473	33790	Hitch Pin/Clip 5/8" Cd/1	4
20-0543	34818	Hitch Lock 5/8"	4
14-0976	34914	Heavy Duty 10" 5th Wheel Lube Disc	4
15-1565	38511	Wheel Chocks Clam/2	2

#### PEG BOARD - SHELF 1

NTP-STAG NO.	MFG. NO.	DESCRIPTION	QTY
14-1118	31341	Ball Mt Cls II 6-5/8 x 5/8 x 1-1/4	1
14-1131	31364	Ball Mt Cls IV Straight 8 x 3/4 x 2	1
14-1121	31357	Ball Mt Cls III 8 x 3/4 x 2	1
14-1121	31357	Ball Mt Cls III 8 x 3/4 x 2	1
14-1121	31357	Ball Mt Cls III 8 x 3/4 x 2	1
14-1121	31357	Ball Mt Cls III 8 x 3/4 x 2	1
14-1135	31369	Ball Mt Cls IV 12 x 1 x 2-1/4	1

14-1123	31359	Ball Mt Cls IV 6-3/4 x 2 x 3-1/4	1
14-1122	31358	Ball Mt Cls III 10 x 3/4 x 4-1/4	1
14-1122	31358	Ball Mt Cls III 10 x 3/4 x 4-1/4	1
14-1122	31358	Ball Mt Cls III 10 x 3/4 x 4-1/4	1
14-1127	31363	Ball Mt Cls III 11-1/2 x 4-3/4 x 6	1
71-5213	33004	2.5" Hollow Bm Cls V 9.5"L 2.5"D	1
71-5214	33005	2.5" Hollow Bm Cls V 9.5"L 2.5"D	1

#### PEG BOARD - SHELF 2

NTP-STAG NO.	MFG. NO.	DESCRIPTION	QTY
14-1133	31367	Ball Mt Kt 2" Ball 3-1/4" Drop	1
14-1133	31367	Ball Mt Kt 2" Ball 3-1/4" Drop	1
14-1133	31367	Ball Mt Kt 2" Ball 3-1/4" Drop	1
14-1133	31367	Ball Mt Kt 2" Ball 3-1/4" Drop	1
14-1132	31366	Ball Mt Kt 2" Ball 2" Drop	1
14-1132	31366	Ball Mt Kt 2" Ball 2" Drop	1
14-1132	31366	Ball Mt Kt 2" Ball 2" Drop	1
14-1132	31366	Ball Mt Kt 2" Ball 2" Drop	1
14-1119	31349	Ball Mt Triple Ball	1
14-1120	31354	Ball Mt Double Tow Bulk	1
14-1116	32850	2" Box Hitch Extension 12"	1
14-1114	32849	Box Hitch Adapter 2" to 1-1/4"	1
14-1117	32848	Box Hitch Adapter 1-1/4" to 2"	1

#### PEG BOARD - BASE SHELF

NTP-STAG NO.	MFG. NO.	DESCRIPTION	QTY
14-1113	30001	Tri-Ball Adjustable Ball Mount	1
71-5260	33104	Adjustable Dual Ball Mount	1
71-5262	33109	Pintle Hook Combo 2"	1
71-5263	33110	Pintle Hook Combo 2-5/16"	1





IN-STORE WIRING PLAN-O-GRAMS

TOWING

### 36" WIRING Plan-o-gram

19-3194	13191	(2) 4 WIRE FLAT CAR END HUSKY
19-3231	30247	CONNECTOR 4WAY FLAT 60IN
19-3193	13190	4 WIRE FLAT CAR END HUSKY
71-5229	33068	CONNECTOR 7 RV BLADE
71-5228	33067	CONNECTOR 7 BLADE ILLUMINATED
19-3200	30175	SOCKET USCAR 7-WAY
71-5218	33057	CONNECTOR 7 WAY BLADE AND 4 WAY
71-5221	33060	CONNECTOR EXT.48" 4 WIRE FLAT PLUG W/LED
71-5223	33062	CONNECTOR EXT.48" 4 WIRE FLAT PLUG
71-5224	33063	CONNECTOR EXT.48" 4 WIRE FLAT PLUG W/LED
71-5225	33064	CONNECTOR Ext. 12" 4 WIRE FLAT PLUG
71-5226	33065	CONNECTOR EXT. 12" 4 WIRE FLAT PLUG W/LED
71-5227	33066	CONNECTOR EXT. 12" 4 WIRE FLAT PLUG
71-5219	33058	CONNECTOR KIT 7 WAY BLADE AND 4 WAY
71-5222	33061	CONNECTOR ADAPTER 4 WIRE FLAT
71-5231	33070	DIODE; QUICK-LOCK RV TOWING 5AMP SET OF 4
71-5232	33071	DIODE; QUICK-LOCK RV TOWING 5AMP SINGLE
19-3217	30259	CONNECTOR 2-WAY FLAT PAK/2
19-3853	30280	CONNECTOR 4-WAY FLAT PAK/1
19-3196	13192	4 WIRE FLAT TRL END HUSKY
19-3186	13092	7:4 MULTI-TOW ADAPTER HUSKY
19-3699	13166	4FLAT TO 7BLADE ADPT HUSKY
71-5220	33059	CONNECTOR KIT 4 WAY AND 7 WAY ROUND
19-3207	30315	ADAPTER 6ROUND TO 4FLAT
19-3838	14437	ADAPT MULTI TOW 7 TO 5 4 HUSKY
19-3209	30692	ADAPTER 7RD BLADE TO 5FLAT
19-3703	30693	WIRING ADPTR 6-P AG-7-PIN
19-3189	13170	7BLADE TO 4FLAT ADAPT HUSKY
17-0658	30428	TAIL LIGHT CONV HUSKY
71-5229	33068	CONNECTOR TRAILER SIDE PLUG 7 RV BLADE
17-0674	32253	B/C HARNESS HUSKY T/S GM
17-0668	31866	B/C HARNESS HUSKY T/S GM
17-0662	31860	B/C HARNESS HUSKY T/S FORD
14-0982	30462	HUSKY LED BREAKAWAY SWITCH
17-0645	31555	BRAKE CONTROLLER ESCORT
17-0655	31698	WIRING HARNESS HUSKY FORD
17-0646	31899	(2) BRAKE CONTROLLER QUESTT/S
17-0667	31865	B/C HARNESS HUSKY T/S GM
17-0666	31864	B/C HARNESS HUSKY T/S DODGE
17-0694	31869	B/C HARNESS HUSKY T/S DODGE
17-0672	32079	B/C HARNESS HUSKY T/S '13 DGE
17-0690	31689	UNIVERSAL B/C HARNESS FORD
17-0664	31862	B/C HARNESS HUSKY T/S FORD
17-0659	31858	B/C HARNESS HUSKY T/S NISSAN
17-0669	31867	B/C HARNESS HUSKY T/S TOYOTA
19-3250	32582	(2) BRACKET 7&9WAY BLACK BULK
19-3247	32576	(2) CONNECTOR 7WAY PLAST CAR BULK
19-3246	32569	(3) CONNECTOR 6WAY ZINC TRL BULK
19-3218	30312	(4) CONNECTOR 4-WAY FLAT BULK

81-0828 32003KIT 3ft Wiring POG

### 48" WIRING Plan-o-gram

19-3194	13191	(2) 4 WIRE FLAT CAR END HUSKY
19-3231	30247	(2) CONNECTOR 4WAY FLAT 60IN
19-3193	13190	4 WIRE FLAT CAR END HUSKY
71-5229	33068	CONNECTOR 7 RV BLADE
71-5228	33067	CONNECTOR 7 BLADE ILLUMINATED
19-3200	30175	(2) SOCKET USCAR 7-WAY
71-5218	33057	CONNECTOR 7 WAY BLADE AND 4 WAY
71-5221	33060	CONNECTOR EXT.48" 4 WIRE FLAT PLUG W/LED
71-5223	33062	CONNECTOR EXT.48" 4 WIRE FLAT PLUG
71-5224	33063	CONNECTOR EXT.48" 4 WIRE FLAT PLUG W/LED
71-5225	33064	CONNECTOR Ext. 12" 4 WIRE FLAT PLUG
71-5226	33065	CONNECTOR EXT. 12" 4 WIRE FLAT PLUG W/LED
71-5227	33066	(2) CONNECTOR EXT. 12" 4 WIRE FLAT PLUG
71-5219	33058	(2) CONNECTOR KIT 7 WAY BLADE AND 4 WAY
71-5222	33061	(2) CONNECTOR ADAPTER 4 WIRE FLAT
71-5231	33070	DIODE; QUICK-LOCK RV TOWING 5AMP SET OF 4
71-5232	33071	DIODE; QUICK-LOCK RV TOWING 5AMP SINGLE
19-3217	30259	CONNECTOR 2-WAY FLAT PAK/2
19-3853	30280	(2) CONNECTOR 4-WAY FLAT PAK/1
19-3196	13192	4 WIRE FLAT TRL END HUSKY
19-3186	13092	7:4 MULTI-TOW ADAPTER HUSKY
19-3699	13166	(2) 4FLAT TO 7BLADE ADPT HUSKY
71-5220	33059	CONNECTOR KIT 4 WAY AND 7 WAY ROUND
19-3207	30315	(2) ADAPTER 6ROUND TO 4FLAT
19-3838	14437	ADAPT MULTI TOW 7 TO 5 4 HUSKY
19-3209	30692	(2) ADAPTER 7RD BLADE TO 5FLAT
19-3703	30693	(2) WIRING ADPTR 6-P AG-7-PIN
19-3189	13170	7BLADE TO 4FLAT ADAPT HUSKY
17-0658	30428	TAIL LIGHT CONV HUSKY
71-5229	33068	CONNECTOR TRAILER SIDE PLUG 7 RV BLADE
17-0674	32253	B/C HARNESS HUSKY T/S GM
17-0668	31866	B/C HARNESS HUSKY T/S GM
17-0662	31860	B/C HARNESS HUSKY T/S FORD
14-0982	30462	HUSKY LED BREAKAWAY SWITCH
17-0645	31555	(2) BRAKE CONTROLLER ESCORT
17-0655	31698	WIRING HARNESS HUSKY FORD
17-0646	31899	(3) BRAKE CONTROLLER QUESTT/S
17-0667	31865	B/C HARNESS HUSKY T/S GM
17-0666	31864	(2) B/C HARNESS HUSKY T/S DODGE
17-0694	31869	B/C HARNESS HUSKY T/S DODGE
17-0672	32079	B/C HARNESS HUSKY T/S '13 DGE
17-0690	31689	UNIVERSAL B/C HARNESS FORD
17-0664	31862	B/C HARNESS HUSKY T/S FORD
17-0659	31858	(2) B/C HARNESS HUSKY T/S NISSAN
17-0669	31867	(2) B/C HARNESS HUSKY T/S TOYOTA
19-3250	32582	(3) BRACKET 7&9WAY BLACK BULK
19-3247	32576	(4) CONNECTOR 7WAY PLAST CAR BULK
19-3246	32569	(4) CONNECTOR 6WAY ZINC TRL BULK
19-3218	30312	(4) CONNECTOR 4-WAY FLAT BULK

81-0829 32004KIT 4ft Wiring POG



### WEIGHT DISTRIBUTION DISPLAY STAND

Holds one Weight Distribution hitch including Centerline TS and Roundbar styles. Hitches sold separately.

71-3622 31370 W/D Display Stand



### 2-TIER WEIGHT DISTRIBUTION DISPLAY STAND

Holds two Weight Distribution hitches including Centerline TS and Roundbar styles. Hitches sold separately.

71-7966 33144 2 Tier W/D Display w/Header Card

### CENTERLINE TS® WEIGHT DISTRIBUTION POP DISPLAY

The Center Line TS display provides a graphics kit to display alongside Husky Centerline TS hitches for optimal point of purchase product support. The headercard supplies customers with Husky product information and specifications. Hitches sold separately.

71-3678 90237 Centerline TS Display Stand



### 5TH WHEEL DISPLAY STAND

Universal display stand holds all Husky 5th Wheel hitches including adapters. Hitches sold separately.

72-2668 33145 Universal Display Stand w/Header Card

## HUSKY® CLASS III RECEIVER HITCH APPLICATION CHART

Make/Model	Style	Years	Rec. Size	Husky #	Foot Notes	GTW / TW	WD / WDTW	Install Time
<b>ACURA</b>			2					
MDX	--	14 - 20	2	69549C	AA, Z	6.0 / 900	8.0 / 900	20
MDX		07 - 13	2	69576C	BB, M, I, Z	4.0 / 400	5.0 / 500	30
RDX		13 - 18	2	69570C	AA, Z	4.0 / 600	--	20
<b>AUDI</b>			2					
Q5	Excluding hybrid	09 - 17	2	69572C	BB, M, Z	5.0 / 750	--	30
<b>BMW</b>			2					
X3		11 - 17	2	69597C	AA, Q, V, Z	3.5 / 350	4.0 / 400	90
X4	--	15 - 18	2	69597C	AA, Q, V, Z	3.5 / 350	4.0 / 400	90
X5	--	07 - 18	2	69568C	A, E, M, Z	6.0 / 600	6.0 / 600	90
X6	--	14 - 19	2	69568C	A, E, M, Z	6.0 / 600	6.0 / 600	90
<b>BUICK</b>			2					
Enclave		08 - 17	2	69477C	AA, Z	5.0 / 500	6.0 / 600	30
<b>CADILLAC</b>			2					
SRX		10 - 16	2	69566C	AA, Z	5.0 / 500	6.0 / 600	30
<b>CHEVROLET</b>			2					
Blazer	--	19 - 19	2	69630C	AA, Z	5.0 / 750	6.0 / 750	20
C10	Excluding 10" step bumper	75 - 86	2	69593C	--	6.0 / 600	10 / 1000	60
C1500	With dual exhaust	88 - 99	2	69596C	Z	6.0 / 600	10 / 1000	30
C20	Excluding with 10" step bumper	76 - 86	2	69593C	--	6.0 / 600	10 / 1000	60
C20	Cab & chassis	78 - 86	2	69593C	--	6.0 / 600	10 / 1000	60
C2500	With dual exhaust	88 - 00	2	69596C	Z	6.0 / 600	10 / 1000	30
C2500	Cab & chassis	88 - 00	2	69593C	--	6.0 / 600	10 / 1000	60
C30	Excluding with 10" step bumper	76 - 86	2	69593C	--	6.0 / 600	10 / 1000	60
C3500	With dual exhaust	88 - 00	2	69596C	Z	6.0 / 600	10 / 1000	30
C3500	4-door crew cab	88 - 91	2	69593C	--	6.0 / 600	10 / 1000	60
C3500	Cab & chassis	88 - 00	2	69593C	--	6.0 / 600	10 / 1000	60
C3500HD	Cab & chassis	91 - 02	2	69593C	--	6.0 / 600	10 / 1000	60
Captiva Sport		12 - 15	2	69598C	A, M, Z	3.5 / 350	4.0 / 400	20
Colorado	--	15 - 19	2	69531C	AA, M, T, Z	6.0 / 900	8.0 / 900	30
		15 - 19	2	69534C	AA, T, Z	8.0 / 800	10 / 1000	30
Equinox	Excluding diesel	18 - 20	2	69611C	BB, M, Z	3.5 / 525	--	20
		05 - 17	2	69488C	Z, M	3.5 / 350	4.0 / 400	30
Express 1500	--	96 - 14	2	69469C	Z	6.0 / 600	10 / 1000	30
Express 2500	--	96 - 19	2	69469C	Z	6.0 / 600	10 / 1000	30
Express 3500	Excluding cutaway models	96 - 19	2	69469C	Z	6.0 / 600	10 / 1000	30
K10	Excluding 10" step bumper	76 - 86	2	69593C	--	6.0 / 600	10 / 1000	60
K1500	With dual exhaust	88 - 99	2	69596C	Z	6.0 / 600	10 / 1000	30
K20	Excluding with 10" step bumper	75 - 86	2	69593C	--	6.0 / 600	10 / 1000	60
K20	Cab & chassis	75 - 86	2	69593C	--	6.0 / 600	10 / 1000	60
K2500	With dual exhaust	88 - 00	2	69596C	Z	6.0 / 600	10 / 1000	30
K2500	Cab & chassis	88 - 00	2	69593C	--	6.0 / 600	10 / 1000	60
K30	Excluding with 10" step bumper	76 - 86	2	69593C	--	6.0 / 600	10 / 1000	60
K30	Cab & chassis	78 - 86	2	69593C	--	6.0 / 600	10 / 1000	60
K3500	With dual exhaust	88 - 00	2	69596C	Z	6.0 / 600	10 / 1000	30
K3500	Cab & chassis	88 - 00	2	69593C	--	6.0 / 600	10 / 1000	60

Make/Model	Style	Years	Rec. Size	Husky #	Foot Notes	GTW / TW	WD / WDTW	Install Time
<b>CHEVROLET</b>			2					
Silverado 1500	Without factory receiver	19 - 19	2	69627C	AA, Z	6.0 / 600	10 / 1000	60
Silverado 1500	Excluding roll pan bumper, Tommy Gate lift or 10" drop bumper	14 - 18	2	69524C	AA, Z	6.0 / 600	10 / 1000	10
Silverado 1500		07 - 18	2	69456C	T, Z	6.0 / 600	10 / 1000	30
Silverado 1500		99 - 14	2	69652C	M, Z	6.0 / 600	10 / 1000	30
Silverado 1500		99 - 06	2	69551C	Z	6.0 / 600	10 / 1000	30
Silverado 1500 Classic	Excluding roll pan bumper, Tommy Gate lift or 10" drop bumper	07 - 07	2	69652C	M, Z	6.0 / 600	10 / 1000	30
Silverado 1500 Classic		07 - 07	2	69551C	Z	6.0 / 600	10 / 1000	30
Silverado 1500 HD	Excluding roll pan bumper, Tommy Gate lift or 10" drop bumper	05 - 06	2	69652C	M, Z	6.0 / 600	10 / 1000	30
Silverado 1500 HD		05 - 06	2	69551C	Z	6.0 / 600	10 / 1000	30
Silverado 1500 HD	Excluding roll pan bumper, Tommy Gate lift or 10" drop bumper	01 - 03	2	69652C	M, Z	6.0 / 600	10 / 1000	30
Silverado 1500 HD		01 - 03	2	69551C	Z	6.0 / 600	10 / 1000	30
Silverado 1500 HD Classic	Excluding roll pan bumper, Tommy Gate lift or 10" drop bumper	07 - 07	2	69652C	M, Z	6.0 / 600	10 / 1000	30
Silverado 1500 HD Classic		07 - 07	2	69551C	Z	6.0 / 600	10 / 1000	30
Silverado 1500 LD	--	19 - 19	2	69524C	AA, Z	6.0 / 600	10 / 1000	10
Silverado 1500 LD		19 - 19	2	69456C	T, Z	6.0 / 600	10 / 1000	30
Silverado 2500	Excluding Tommy Gate lift, 10" drop bumper or cab & chassis	99 - 04	2	69652C	M, Z	6.0 / 600	10 / 1000	30
Silverado 2500		99 - 04	2	69551C	Z	6.0 / 600	10 / 1000	30
Silverado 2500	Cab & chassis	99 - 04	2	69593C	--	6.0 / 600	10 / 1000	60
Silverado 2500 HD	6' bed, excluding factory receiver, Tommy Gate lift or cab & chassis	15 - 19	2	69625C	AA, Z	8.0 / 800	12 / 1200	30
Silverado 2500 HD		01 - 06	2	69593C	--	6.0 / 600	10 / 1000	60
Silverado 2500 HD Classic	Cab & chassis	07 - 07	2	69593C	--	6.0 / 600	10 / 1000	60
Silverado 3500	Cab & chassis	01 - 06	2	69593C	--	6.0 / 600	10 / 1000	60
Silverado 3500 Classic	Cab & chassis	07 - 07	2	69593C	--	6.0 / 600	10 / 1000	60
Silverado 3500 HD	6' bed, excluding factory receiver, Tommy Gate lift or cab & chassis	15 - 19	2	69625C	AA, Z	8.0 / 800	12 / 1200	30
Traverse	--	18 - 19	2	69615C	BB, HE, M, Z	5.0 / 750	7.5 / 750	35
Traverse		09 - 17	2	69477C	AA, Z	5.0 / 500	6.0 / 600	30
<b>CHRYSLER</b>			2					
Pacifica		17 - 19	2	69616C	BB, D, HE, M, Z	4.0 / 400	5.0 / 500	45
Town & Country		08 - 16	2	69479C	Z	4.0 / 400	5.0 / 500	25
Town & Country		04 - 07	2	69588C	Z	3.5 / 350	4.0 / 400	30
Town & Country		96 - 07	2	69480C	AA	4.0 / 400	5.0 / 500	30
Voyager	--	00 - 03	2	69480C	AA	4.0 / 400	5.0 / 500	30
<b>DODGE</b>			2					
Caravan		04 - 07	2	69588C	Z	3.5 / 350	4.0 / 400	30
Caravan		96 - 07	2	69480C	AA	4.0 / 400	5.0 / 500	30
Dakota		97 - 04	2	69575C	Z	5.0 / 500	8.0 / 800	30
Dakota		87 - 96	2	69575C	--	5.0 / 500	8.0 / 800	30
Durango	Excluding SRT	11 - 19	2	69530C	BB, I, M, Z	6.0 / 600	7.5 / 750	10

Make/Model	Style	Years	Rec. Size	Husky #	Foot Notes	GTW / TW	WD / WDTW	Install Time
<b>DODGE</b>			2					
Grand Caravan		08 - 19	2	69479C	Z	4.0 / 400	5.0 / 500	25
Grand Caravan		04 - 07	2	69588C	Z	3.5 / 350	4.0 / 400	30
Grand Caravan		96 - 07	2	69480C	AA	4.0 / 400	5.0 / 500	30
Journey		09 - 19	2	69505C	M, Z	4.0 / 400	4.0 / 400	30
Ram 1500	Excluding factory receiver	03 - 10	2	69458C	K, Z	6.0 / 600	10 / 1000	30
Ram 1500		09 - 10	2	69607C	BB, M, Z	6.0 / 600	10 / 1000	49
Ram 1500	Excluding roll pan bumper	68 - 01	2	69571C	--	6.0 / 600	10 / 1000	60
Ram 2500	Excluding factory receiver	03 - 10	2	69458C	K, Z	6.0 / 600	10 / 1000	30
Ram 2500	Excluding roll pan bumper	68 - 02	2	69571C	--	6.0 / 600	10 / 1000	60
Ram 3500	Excluding factory receiver	03 - 10	2	69458C	K, Z	6.0 / 600	10 / 1000	30
Ram 3500	Excluding roll pan bumper	68 - 02	2	69571C	--	6.0 / 600	10 / 1000	60
Sprinter 2500	Step bumper	07 - 09	2	69556C	Z	5.0 / 500	7.5 / 750	30
Sprinter 3500	170" WB with factory step bumper	07 - 09	2	69556C	Z	5.0 / 500	7.5 / 750	30
<b>FORD</b>			2					
Bronco	--	78 - 96	2	69571C	--	6.0 / 600	10 / 1000	60
Country Squire		87 - 91	2	69586C	--	4.0 / 400	6.0 / 600	30
Crown Victoria		92 - 11	2	69586C	--	4.0 / 400	6.0 / 600	30
E-150	--	00 - 14	2	69498C	M	6.0 / 600	8.0 / 800	35
E-250	--	00 - 14	2	69498C	M	6.0 / 600	8.0 / 800	35
E-350 Super Duty	--	00 - 14	2	69498C	M	6.0 / 600	8.0 / 800	35
Edge		15 - 20	2	69550C	BB, M, V	4.0 / 600	--	30
Edge	Fits beneath factory 1-1/4" receiver hitch	07 - 14	2	69491C	BB, D, V	4.0 / 400	--	60
Escape		13 - 19	2	69518C	AA, V	3.5 / 350	5.0 / 500	40
Escape		05 - 12	2	69463C	M	3.5 / 350	5.0 / 500	30
Explorer	--	11 - 19	2	69621C	BB, M, Z	4.0 / 400	5.0 / 500	30
F Super Duty	Cab & chassis with 34" frame width (O.D.)	88 - 97	2	69593C	--	6.0 / 600	10 / 1000	60
F-100	Excluding 10" drop bumper, old body	73 - 83	2	69571C	--	6.0 / 600	10 / 1000	60
F-150	Without factory receiver, excluding Police Responder	15 - 19	2	69608C	AA, Z	6.0 / 900	10 / 1000	25
F-150		09 - 14	2	69512C	BB, Z	6.0 / 600	11 / 1100	15
F-150	New body	97 - 03	2	69601C	Z	6.0 / 600	10 / 1000	30
F-150	Excluding 10" drop bumper, old body	73 - 97	2	69571C	--	6.0 / 600	10 / 1000	60
F-150 Heritage Edition	--	04 - 04	2	69601C	Z	6.0 / 600	10 / 1000	30
F-250	Old body, excluding 10" drop bumper and 73 - 79 crew cab	73 - 99	2	69571C	--	6.0 / 600	10 / 1000	60
F-250	Crew cab	75 - 79	2	69593C	--	6.0 / 600	10 / 1000	60
F-250LD	New body	97 - 99	2	69601C	Z	6.0 / 600	10 / 1000	30
F-250 Super Duty	--	99 - 16	2	69601C	Z	6.0 / 600	10 / 1000	30
F-350	Old body, excluding with 10" drop bumper	73 - 97	2	69571C	--	6.0 / 600	10 / 1000	60
F-350	Cab & chassis with 34" frame width (O.D.)	73 - 97	2	69593C	--	6.0 / 600	10 / 1000	60
F-350 Super Duty	Excluding cab & chassis	99 - 16	2	69601C	Z	6.0 / 600	10 / 1000	30
F-450 Super Duty		08 - 16	2	69601C	Z	6.0 / 600	10 / 1000	30
Flex	With dual exhaust	09 - 19	2	69552C	BB, M, Z	4.0 / 400	4.0 / 400	40

Make/Model	Style	Years	Rec. Size	Husky #	Foot Notes	GTW / TW	WD / WDTW	Install Time
<b>FORD</b>				2				
LTD		79 - 86	2	69586C	--	4.0 / 400	6.0 / 600	30
LTD Crown Victoria		87 - 91	2	69586C	--	4.0 / 400	6.0 / 600	30
Police Interceptor Utility	--	13 - 19	2	69621C	BB, M, Z	4.0 / 400	5.0 / 500	30
Ranger	--	19 - 19	2	69629C	AA, Z	6.0 / 900	8.0 / 900	20
Ranger		83 - 11	2	69563C	M	4.0 / 400	6.0 / 600	30
Transit-150	--	15 - 19	2	69543C	BB, M, Z	6.0 / 900	8.0 / 900	15
Transit-250	--	15 - 19	2	69543C	BB, M, Z	6.0 / 900	8.0 / 900	15
Transit-350	--	15 - 19	2	69543C	BB, M, Z	6.0 / 900	8.0 / 900	15
Transit Connect		14 - 19	2	69558C	BB, M, Z	3.5 / 525	4.0 / 525	30
<b>FREIGHTLINER</b>				2				
Sprinter 2500	Cargo van with factory step bumper	07 - 19	2	69556C	Z	5.0 / 500	7.5 / 750	30
Sprinter 3500	Cargo van, 170" WB with factory step bumper	07 - 19	2	69556C	Z	5.0 / 500	7.5 / 750	30
<b>GMC</b>				2				
Acadia		07 - 16	2	69477C	AA, Z	5.0 / 500	6.0 / 600	30
Acadia Limited	--	17 - 17	2	69477C	AA, Z	5.0 / 500	6.0 / 600	30
C15	Excluding 10" step bumper	75 - 87	2	69593C	--	6.0 / 600	10 / 1000	60
C1500	With dual exhaust	88 - 99	2	69596C	Z	6.0 / 600	10 / 1000	30
C25	Excluding with 10" step bumper	75 - 78	2	69593C	--	6.0 / 600	10 / 1000	60
C25	Cab & chassis	75 - 78	2	69593C	--	6.0 / 600	10 / 1000	60
C2500		79 - 86	2	69593C	--	6.0 / 600	10 / 1000	60
C2500	With dual exhaust	88 - 00	2	69596C	Z	6.0 / 600	10 / 1000	30
C2500	Cab & chassis	79 - 00	2	69593C	--	6.0 / 600	10 / 1000	60
C35	Excluding with 10" step bumper	75 - 78	2	69593C	--	6.0 / 600	10 / 1000	60
C35	Cab & chassis	75 - 78	2	69593C	--	6.0 / 600	10 / 1000	60
C3500		79 - 86	2	69593C	--	6.0 / 600	10 / 1000	60
C3500	With dual exhaust	88 - 00	2	69596C	Z	6.0 / 600	10 / 1000	30
C3500	Cab & chassis	79 - 00	2	69593C	--	6.0 / 600	10 / 1000	60
C3500HD	Cab & chassis	91 - 02	2	69593C	--	6.0 / 600	10 / 1000	60
Canyon	--	15 - 19	2	69531C	AA, M, T, Z	6.0 / 900	8.0 / 900	30
Canyon		15 - 19	2	69534C	AA, T, Z	8.0 / 800	10 / 1000	30
K15	Excluding 10" step bumper	75 - 87	2	69593C	--	6.0 / 600	10 / 1000	60
K1500	With dual exhaust	88 - 99	2	69596C	Z	6.0 / 600	10 / 1000	30
K25	Excluding with 10" step bumper	75 - 78	2	69593C	--	6.0 / 600	10 / 1000	60
K25	Cab & chassis	75 - 78	2	69593C	--	6.0 / 600	10 / 1000	60
K2500		79 - 86	2	69593C	--	6.0 / 600	10 / 1000	60
K2500	With dual exhaust	88 - 00	2	69596C	Z	6.0 / 600	10 / 1000	30
K2500	4-door crew cab	88 - 91	2	69593C	--	6.0 / 600	10 / 1000	60
K2500	Cab & chassis	79 - 00	2	69593C	--	6.0 / 600	10 / 1000	60
K35	Excluding with 10" step bumper	75 - 78	2	69593C	--	6.0 / 600	10 / 1000	60
K35	Cab & chassis	75 - 78	2	69593C	--	6.0 / 600	10 / 1000	60
K3500		79 - 86	2	69593C	--	6.0 / 600	10 / 1000	60
K3500	With dual exhaust	88 - 00	2	69596C	Z	6.0 / 600	10 / 1000	30
K3500	4-door crew cab	88 - 91	2	69593C	--	6.0 / 600	10 / 1000	60
K3500	Cab & chassis	79 - 00	2	69593C	--	6.0 / 600	10 / 1000	60
Savana 1500	--	96 - 14	2	69469C	Z	6.0 / 600	10 / 1000	30

Make/Model	Style	Years	Rec. Size	Husky #	Foot Notes	GTW / TW	WD / WDTW	Install Time
<b>GMC</b>			2					
Savana 2500	--	96 - 19	2	69469C	Z	6.0 / 600	10 / 1000	30
Savana 3500	Excluding cutaway models	96 - 19	2	69469C	Z	6.0 / 600	10 / 1000	30
Sierra 1500	Without factory receiver	19 - 19	2	69627C	AA, Z	6.0 / 600	10 / 1000	60
Sierra 1500	Excluding roll pan bumper, Tommy Gate lift or 10" drop bumper	14 - 18	2	69524C	AA, Z	6.0 / 600	10 / 1000	10
Sierra 1500		07 - 18	2	69456C	T, Z	6.0 / 600	10 / 1000	30
Sierra 1500		99 - 14	2	69652C	M, Z	6.0 / 600	10 / 1000	30
Sierra 1500		99 - 06	2	69551C	Z	6.0 / 600	10 / 1000	30
Sierra 1500 Classic	Excluding roll pan bumper, Tommy Gate lift or 10" drop bumper	07 - 07	2	69652C	D, M, Z	6.0 / 600	10 / 1000	30
Sierra 1500 Classic		07 - 07	2	69551C	Z	6.0 / 600	10 / 1000	30
Sierra 1500 HD	Excluding 10" drop bumper, roll pan bumper or Tommy Gate lift	05 - 06	2	69652C	M, Z	6.0 / 600	10 / 1000	30
Sierra 1500 HD		05 - 06	2	69551C	Z	6.0 / 600	10 / 1000	30
Sierra 1500 HD	Excluding 10" drop bumper, roll pan bumper or Tommy Gate lift	01 - 03	2	69652C	M, Z	6.0 / 600	10 / 1000	30
Sierra 1500 HD		01 - 03	2	69551C	Z	6.0 / 600	10 / 1000	30
Sierra 1500 HD Classic	Excluding roll pan bumper, Tommy Gate lift or 10" drop bumper	07 - 07	2	69652C	D, M, Z	6.0 / 600	10 / 1000	30
Sierra 1500 HD Classic		07 - 07	2	69551C	Z	6.0 / 600	10 / 1000	30
Sierra 1500 Limited		19 - 19	2	69524C	AA, Z	6.0 / 600	10 / 1000	10
Sierra 1500 Limited		19 - 19	2	69456C	T, Z	6.0 / 600	10 / 1000	30
Sierra 2500	Excluding Tommy Gate lift, 10" drop bumper or cab & chassis	99 - 04	2	69652C	M, Z	6.0 / 600	10 / 1000	30
Sierra 2500		99 - 04	2	69551C	Z	6.0 / 600	10 / 1000	30
Sierra 2500	Cab & chassis	99 - 04	2	69593C	--	6.0 / 600	10 / 1000	60
Sierra 2500 HD	6' bed, excluding factory receiver, Tommy Gate lift or cab & chassis	15 - 19	2	69625C	AA, Z	8.0 / 800	12 / 1200	30
Sierra 2500 HD		01 - 06	2	69593C	--	6.0 / 600	10 / 1000	60
Sierra 2500 HD Classic	Cab & chassis	07 - 07	2	69593C	--	6.0 / 600	10 / 1000	60
Sierra 3500	Cab & chassis	01 - 06	2	69593C	--	6.0 / 600	10 / 1000	60
Sierra 3500 Classic	Cab & chassis	07 - 07	2	69593C	--	6.0 / 600	10 / 1000	60
Sierra 3500 HD	6' bed, excluding factory receiver, Tommy Gate lift or cab & chassis	15 - 19	2	69625C	AA, Z	8.0 / 800	12 / 1200	30
Terrian	Excluding diesel	18 - 20	2	69611C	BB, M, Z	3.5 / 525	6.0 / 600	20
Terrian		10 - 17	2	69488C	M, Z	3.5 / 350	4.0 / 400	30
<b>HONDA</b>			2					
CR-V		17 - 19	2	69622C	AA, B, D, Z	3.5 / 525	--	30
CR-V		12 - 16	2	69510C	BB, M, V, Z	3.5 / 350	--	30
CR-V		07 - 11	2	69555C	M, Z	3.5 / 350	--	30
CR-V		02 - 06	2	69581C	Z	3.5 / 350	--	30
CR-V		97 - 01	2	69592C	--	3.5 / 350	--	40
Odyssey		99 - 17	2	69476C	BB, M, Z	3.5 / 350	5.0 / 500	20
Pilot	--	16 - 20	2	69549C	AA, Z	6.0 / 900	8.0 / 900	20
<b>HYUNDAI</b>			2					
Santa Fe	--	19 - 19	2	69548C	BB, M, Z	5.0 / 500	--	45
Santa Fe		13 - 18	2	69559C	Z	6.0 / 900	8.0 / 900	15
Santa Fe Sport		13 - 18	2	69547C	BB, M, V, Z	6.0 / 900	8.0 / 900	20

Make/Model	Style	Years	Rec. Size	Husky #	Foot Notes	GTW / TW	WD / WDTW	Install Time
<b>HYUNDAI</b>				2				
Santa Fe XL	--	19 - 19	2	69559C	Z	6.0 / 900	8.0 / 900	15
Tucson		16 - 19	2	69565C	AA, Z	3.5 / 525	--	20
Tucson		10 - 15	2	69560C	AA, Z	3.5 / 350	--	15
Tucson		10 - 15	2	69570C	AA, Z	3.5 / 525	5.2 / 525	15
Tucson		05 - 09	2	69594C	AA, Z	3.5 / 350	--	30
<b>INFINITI</b>				2				
QX60	--	14 - 19	2	69554C	AA, D, Z	4.0 / 600	5.0 / 600	40
<b>ISUZU</b>				2				
<b>JEEP</b>				2				
Cherokee		14 - 19	2	69595C	BB, Z	5.0 / 750	6.0 / 750	30
Cherokee		14 - 18	2	69573C	AA, D, Z	5.0 / 750	6.0 / 750	50
Grand Cherokee	Excluding SRT, SRT8 or Trackhawk	12 - 19	2	69530C	BB, M, Z	6.0 / 600	7.5 / 750	10
Grand Cherokee	Excluding SRT, SRT8, Trackhawk or diesel	11 - 17	2	69532C	AA, Z	5.0 / 500	7.5 / 750	10
Grand Cherokee	Excluding SRT8	05 - 10	2	69533C	K, Z	5.0 / 500	5.5 / 550	30
Liberty		08 - 12	2	69567C	Z	5.0 / 500	7.5 / 750	20
Renegade		15 - 18	2	69574C	BB, HE, M, Z	3.5 / 525	--	30
Wrangler	JL	18 - 19	2	69613C	B, HE, Z	3.5 / 350	4.0 / 400	20
Wrangler	JK	07 - 18	2	69482C	Z	3.5 / 350	4.0 / 400	20
Wrangler		97 - 06	2	69612C	Z	4.0 / 400	--	35
<b>KIA</b>				2				
Sedona	--	15 - 19	2	69585C	BB, M, Z	4.0 / 400	4.0 / 400	30
Sorento	--	16 - 19	2	69548C	BB, M, Z	5.0 / 750	--	45
Sorento		14 - 15	2	69547C	BB, M, V, Z	6.0 / 900	8.0 / 900	20
Sportage		17 - 20	2	69603C	AA, Z	3.5 / 525	--	20
Sportage		11 - 16	2	69570C	AA, Z	3.5 / 525	5.2 / 525	15
Sportage		11 - 15	2	69560C	AA, Z	3.5 / 350	--	15
Sportage		04 - 10	2	69594C	AA, Z	3.5 / 350	--	30
<b>LEXUS</b>				2				
GX460	--	10 - 19	2	69590C	Z	5.0 / 500	5.0 / 500	15
GX470	--	03 - 09	2	69577C	M, Z	5.0 / 500	5.5 / 550	25
RX350	--	16 - 19	2	69584C	AA, Z	4.0 / 600	5.0 / 600	20
RX350		10 - 15	2	69557C	AA, V, Z	4.0 / 400	5.0 / 500	35
RX450h		10 - 15	2	69557C	AA, V, Z	4.0 / 400	5.0 / 500	35
<b>LINCOLN</b>				2				
Mark VI		80 - 83	2	69586C	R	4.0 / 400	6.0 / 600	30
MKT	With EcoBoost	10 - 17	2	69552C	BB, M, Z	4.0 / 400	4.0 / 400	40
MKX		07 - 15	2	69491C	BB, V	4.0 / 400	--	60
Town Car		81 - 11	2	69586C	--	4.0 / 400	6.0 / 600	30
<b>MAZDA</b>				2				
B2300		01 - 09	2	69563C	M	4.0 / 400	6.0 / 600	30
B2300		94 - 97	2	69563C	M	4.0 / 400	6.0 / 600	30
B2500		98 - 01	2	69563C	M	4.0 / 400	6.0 / 600	30
B3000		98 - 07	2	69563C	M	4.0 / 400	6.0 / 600	30
B3000		94 - 96	2	69563C	M	4.0 / 400	6.0 / 600	30
B4000		94 - 09	2	69563C	M	4.0 / 400	6.0 / 600	30
CX-5		13 - 19	2	69602C	AA, Z	4.0 / 600	--	20

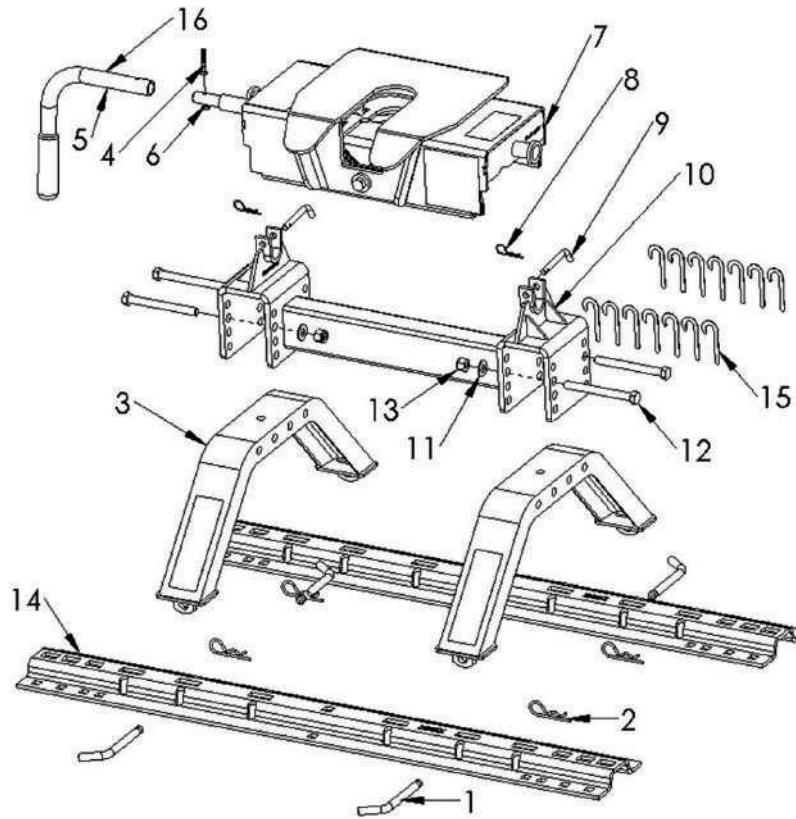


Make/Model	Style	Years	Rec. Size	Husky #	Foot Notes	GTW / TW	WD / WDTW	Install Time
<b>MAZDA</b>				2				
CX-9		16 - 19	2	69617C	AA, Z	4.0 / 600	5.0 / 600	30
CX-9		07 - 15	2	69587C	Z	4.0 / 400	--	30
Tribute		08 - 11	2	69463C	M	3.5 / 350	5.0 / 500	30
Tribute		05 - 06	2	69463C	M	3.5 / 350	5.0 / 500	30
<b>MERCEDES-BENZ</b>				2				
Sprinter 2500	Cargo van with factory step bumper	10 - 19	2	69556C	Z	5.0 / 500	7.5 / 750	30
Sprinter 3500	Cargo van, 170" WB with factory step bumper	10 - 19	2	69556C	Z	5.0 / 500	7.5 / 750	30
<b>MERCURY</b>				2				
Grand Marquis		83 - 09	2	69586C	--	4.0 / 400	6.0 / 600	30
Grand Marquis		79 - 86	2	69586C	--	4.0 / 400	6.0 / 600	30
Marauder		03 - 04	2	69586C	--	4.0 / 400	6.0 / 600	30
Mariner		05 - 11	2	69463C	M	3.5 / 350	5.0 / 500	30
<b>MITSUBISHI</b>				2				
Outlander	--	14 - 19	2	69578C	BB, M, Z	4.0 / 600	4.0 / 600	30
Outlander Sport		11 - 19	2	69609C	BB, M, Z	3.5 / 350	--	15
RVR		11 - 15	2	69609C	BB, M, Z	3.5 / 350	--	15
<b>NISSAN</b>				2				
Frontier	--	05 - 19	2	69499C	AA, Z	5.0 / 500	8.0 / 800	15
Murano	--	15 - 19	2	69540C	M, Z	3.5 / 350	--	30
Murano	--	03 - 07	2	69599C	M, Z	3.5 / 350	--	30
Pathfinder		13 - 16	2	69554C	AA, D, Z	4.0 / 600	5.0 / 600	40
Rogue		08 - 19	2	69544C	AA, Z	3.5 / 525	--	45
Rogue Select		14 - 15	2	69544C	AA, Z	3.5 / 525	--	45
Titan	S	17 - 19	2	69610C	BB, M, Z	8.0 / 800	12 / 1200	15
Titan	SV	17 - 19	2	69610C	BB, M, Z	8.0 / 800	12 / 1200	15
Xterra	--	05 - 15	2	69569C	M, Z	4.0 / 400	6.0 / 600	30
<b>PLYMOUTH</b>				2				
Voyager		96 - 00	2	69480C	AA	4.0 / 400	5.0 / 500	30
<b>PONTIAC</b>				2				
Torrent		06 - 09	2	69488C	M, Z	3.5 / 350	4.0 / 400	30
<b>PORSCHE</b>				2				
Macan	--	15 - 18	2	69572C	BB, D, M	5.0 / 750	--	30
<b>RAM</b>				2				
C/V		12 - 16	2	69479C	Z	4.0 / 400	5.0 / 500	25
ProMaster 1500	--	14 - 19	2	69589C	BB, Z	5.0 / 500	--	20
ProMaster 2500	--	14 - 19	2	69589C	BB, Z	5.0 / 500	--	20
ProMaster 3500	--	14 - 19	2	69589C	BB, Z	5.0 / 500	--	20
1500		11 - 18	2	69458C	K, Z	6.0 / 600	10 / 1000	30
1500		11 - 18	2	69607C	BB, M, Z	6.0 / 600	10 / 1000	49
1500 Classic	Excluding factory receiver	19 - 19	2	69458C	K, Z	6.0 / 600	10 / 1000	30
1500 Classic		19 - 19	2	69607C	BB, M, Z	6.0 / 600	10 / 1000	49
2500		11 - 13	2	69458C	K, Z	6.0 / 600	10 / 1000	30
2500	8' bed, excluding factory receiver	11 - 13	2	69458C	K, Z	6.0 / 600	10 / 1000	30
3500	6' bed, excluding factory receiver	11 - 13	2	69458C	K, Z	6.0 / 600	10 / 1000	30
3500	8' bed, excluding factory receiver	11 - 13	2	69458C	K, Z	6.0 / 600	10 / 1000	30

Make/Model	Style	Years	Rec. Size	Husky #	Foot Notes	GTW / TW	WD / WDTW	Install Time
<b>SATURN</b>				2				
Outlook	--	07 - 10	2	69477C	AA, Z	5.0 / 500	6.0 / 600	30
Vue		08 - 10	2	69598C	A, M, Z	3.5 / 350	4.0 / 400	20
Vue		02 - 07	2	69488C	M, D, Z	3.5 / 350	4.0 / 400	30
<b>SUBARU</b>				2				
Crosstrek		18 - 19	2	69614C	AA, HE, Z	3.5 / 525	--	30
Crosstrek		16 - 17	2	69605C	AA, Z	3.5 / 525	--	30
Crosstrek	Hybrid only	16 - 16	2	69605C	AA, Z	3.5 / 525	--	30
Forester		19 - 20	2	69628C	BB, HE, M	3.5 / 525	--	30
Forester		14 - 18	2	69546C	BB, M	3.5 / 525	--	30
Forester		09 - 13	2	69564C	BB, M, Z	4.0 / 400	--	30
Legacy		15 - 19	2	69542C	BB, M	4.0 / 600	--	45
Outback	Wagon	14 - 19	2	69541C	BB, M	4.0 / 600	--	45
XV Crosstrek		13 - 15	2	69605C	AA, Z	3.5 / 525	--	30
<b>SUZUKI</b>				2				
Equator	--	09 - 12	2	69499C	AA, Z	5.0 / 500	8.0 / 800	15
<b>TOYOTA</b>				2				
4Runner	--	03 - 09	2	69577C	M, Z	5.0 / 500	5.5 / 550	25
Highlander	--	14 - 19	2	69529C	BB, D, M, Z	6.0 / 900	8.0 / 900	30
Highlander		08 - 13	2	69475C	J, M, Z	5.0 / 500	--	45
RAV4		06 - 18	2	69470C	BB, M, Z	3.5 / 525	4.0 / 525	15
RAV4		96 - 05	2	69600C	Z	4.0 / 400	--	30
Sienna		04 - 20	2	69481C	BB, M, V, Z	3.5 / 350	5.0 / 500	25
Tacoma	Excluding factory receiver	16 - 19	2	69545C	AA, Z	6.0 / 900	8.0 / 900	20
Tacoma	--	05 - 15	2	69472C	Z	5.0 / 500	5.5 / 550	45
Tacoma		95 - 04	2	69553C	Z	5.0 / 500	6.0 / 600	60
Tundra	Excluding factory receiver	07 - 19	2	69618C	BB, M, Z	6.0 / 600	8.0 / 800	35
Venza		09 - 16	2	69580C	BB, M, Z	3.5 / 350	4.0 / 400	30
<b>VOLKSWAGEN</b>				2				
Routan		09 - 14	2	69479C	AA, Z	4.0 / 400	5.0 / 500	25
Tiguan		18 - 19	2	69620C	AA, Z	3.5 / 525	--	20
Tiguan		09 - 17	2	69591C	AA, Z	3.5 / 350	--	20
<b>VOLVO</b>				2				
XC90		03 - 14	2	69583C	D, Z	3.5 / 350	5.0 / 500	30

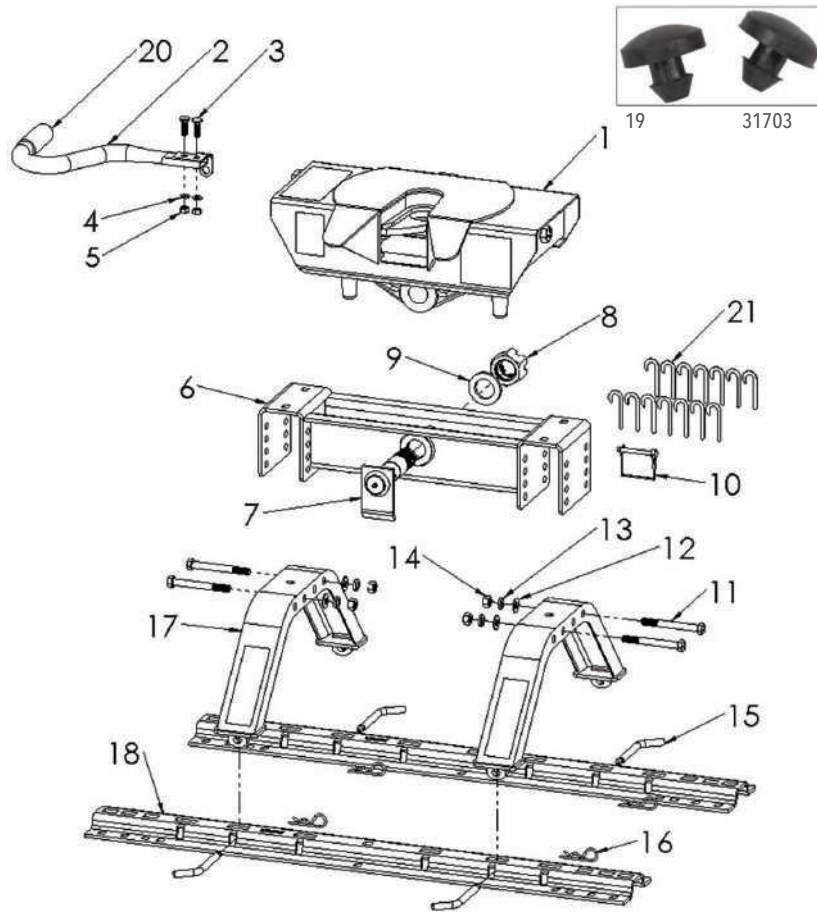
**FOOTNOTES**

A - Allow additional installation time	L - Fixed draw bar
AA - Main body concealed	M - Round tube main body
B - Relocate or modify exhaust	N - Continued while supplies last
BB - Main body exposed	P - Not with roll pan bumper
CC - Roll pan modification required	Q - Temporary bumper removal
CF - Carbide black finish	R - Boxed due to bolt-on arms
D - Minor fascia trim required	T - Minor modifications required
E - Noticeable fascia trim required	TG - Compatible with Tommy Gate lifts
F - Will not fit vehicles with ground effects	U - May require battery removal
G - Additional install with load level air compressors	V - Undercar trimming (not fascia) required
H - Will not fit vehicles with twin tailpipes	VT - Vertical receiver tube
HE - Hole enlargement required	W - Only vehicles with boxed rear bumper
I - Will not fit with full size spare	X - 158" WB models require brace removal
J - No spare tire relocation	118" WB models require spare tire relocation
K - OEM-style hitch	Z - No drilling required



NO.	DESCRIPTION	31313 QTY	31314 QTY	31452 QTY	31453 QTY	31454 QTY	31455 QTY	31456 QTY	31458 QTY	32043 QTY
1	PIN, 1/2" BASE RAIL	4	-	-	-	-	4	-	-	-
2	PIN, 1/2" HAIR	4	-	-	-	-	4	-	-	-
3	UPRIGHT	2	2	-	-	-	-	-	-	-
4	HEX HEAD BOLT, 1/4-20 UNC X 1.375 LG	1	-	-	1	1	-	-	-	-
5	HANDLE	1	-	-	1	1	-	-	-	-
6	NUT, NYLON LOCK, 1/4-20 UNC	1	-	-	1	1	-	-	-	-
7	16K S 5TH WHEEL HEAD ASSEMBLY	1	-	-	1	-	-	-	-	-
8	PIN, 3/8" HAIR	2	-	-	2	-	2	2	-	-
9	PIN, 3/8" CLEVIS	2	-	-	2	-	2	2	-	-
10	CROSSMEMBER	1	-	1	-	-	-	-	-	-
11	1/2" FLAT WASHER	4	-	4	-	-	4	-	4	-
12	1/2-13 UNC X 5 LONG HEX BOLT	4	-	4	-	-	4	-	4	-
13	1/2-13 UNC NYLOCK HEX NUT	4	-	4	-	-	4	-	4	-
14	BASE RAIL FOR 5TH WHEEL (NOT INCLUDED)	NA	NA	NA	NA	NA	NA	NA	NA	NA
15	SHIM KIT	-	14	-	-	-	-	-	-	14
16	RUBBER GRIP	1	-	-	-	-	-	-	-	-
17	INSTRUCTIONS (NOT SHOWN)	1	1	-	-	-	-	-	-	1

- 31313 16K S HEAD AND CROSS MEMBER PACKAGE
- 31314 2 UPRIGHTS PACKAGE
- 31452 CROSSMEMBER PACKAGE
- 31453 16K S HEAD AND HANDLE PACKAGE
- 31454 HANDLE KIT
- 31455 16K S COMPLETE HARDWARE KIT
- 31456 16K S HITCH HEAD RETAINING PINS
- 31458 CROSSMEMBER HARDWARE KIT
- 32043 SHIM KIT

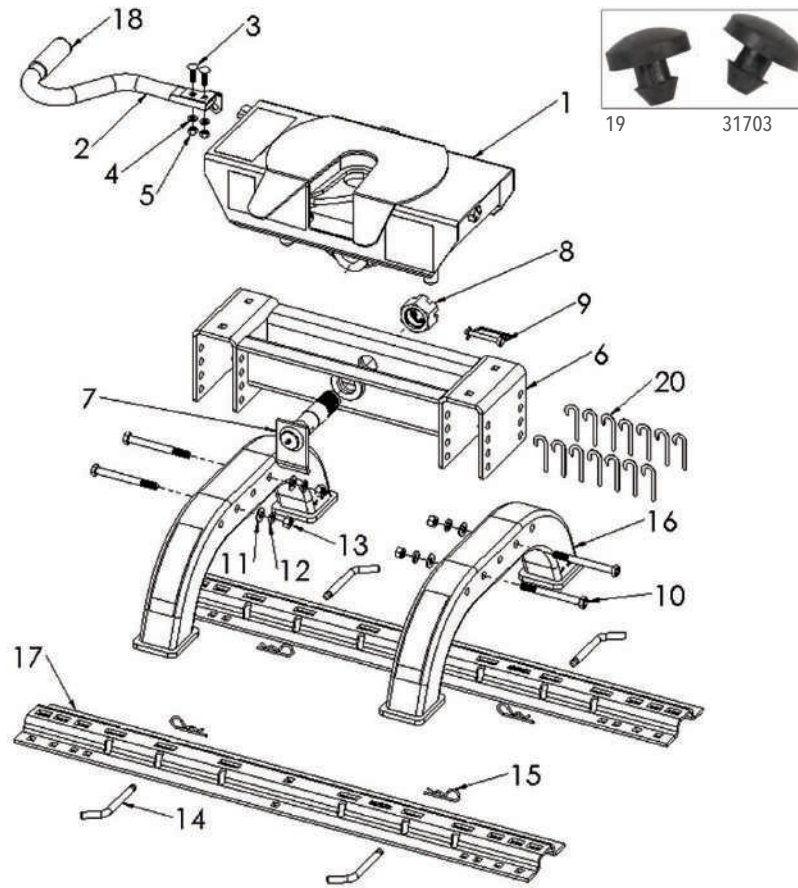


NO.	DESCRIPTION	BOX 1		BOX 2		31573	31574	31575	31576	31580	31581	31579	31703	32043
		31326	31326	31314	31314									
		QTY	QTY	QTY	QTY	QTY	QTY	QTY	QTY	QTY	QTY	QTY	QTY	QTY
1	16K 5TH WHEEL HEAD ASSEMBLY	1	-	-	-	-	-	-	-	-	1	-	-	-
2	HANDLE	1	-	-	1	-	-	-	-	-	-	-	-	-
3	CARRIAGE BOLT, 3/8-16 X 1.25" LONG	2	-	-	2	-	-	-	-	-	-	-	-	-
4	LOCK WASHER, 3/8" ID	2	-	-	2	-	-	-	-	-	-	-	-	-
5	HEX NUT, 3/8-16	2	-	-	2	-	-	-	-	-	-	-	-	-
N/A	INSTRUCTIONS 16K (NOT SHOWN)	1	1	-	1	1	1	1	1	1	1	1	-	1
6	CROSSMEMBER	-	1	-	-	-	-	-	-	1	-	-	-	-
7	PIVOT PIN	-	1	-	-	1	-	-	-	-	-	-	-	-
8	CASTLE NUT, 1-1/2-12	-	1	-	-	1	-	-	-	-	-	-	-	-
9	CASTLE NUT SPACER WASHER	-	1	-	-	1	-	-	-	-	-	-	-	-
10	SAFETY LOCKING PIN	-	1	-	-	1	-	-	-	-	-	-	-	-
11	HEX HEAD BOLT, 1/2-13 X 4.5" LONG	-	4	-	-	-	4	-	-	-	-	-	-	-
12	WASHER, 1/2"	-	4	-	-	-	4	-	-	-	-	-	-	-
13	LOCK WASHER, 1/2"	-	4	-	-	-	4	-	-	-	-	-	-	-
14	HEX NUT, 1/2-13 UNC	-	4	-	-	-	4	-	-	-	-	-	-	-
15	1/2" BASE RAIL PIN	-	4	-	-	-	-	4	-	-	-	-	-	-
16	HAIR PIN	-	4	-	-	-	-	4	-	-	-	-	-	-
17	UPRIGHT	-	-	2	-	-	-	-	-	-	-	-	-	-
18	BASE RAIL FOR 5TH WHEEL (NOT INCLUDED)	NA	NA	NA	NA	NA	NA	NA	NA	NA	NA	NA	NA	NA
19	RUBBER BUMPER	-	2	-	-	-	-	-	2	-	-	-	2	-
20	FOAM GRIP HANDLE	1	-	-	1	-	-	-	-	-	-	2	-	-
21	SHIM KIT	-	-	14	-	-	-	-	-	-	-	-	-	14

31326 16K HEAD AND YOKE BOX 1/2  
 31326 CROSSMEMBER AND PIVOT PIN BOX 2/2  
 31314 UPRIGHTS  
 31573 HANDLE KIT

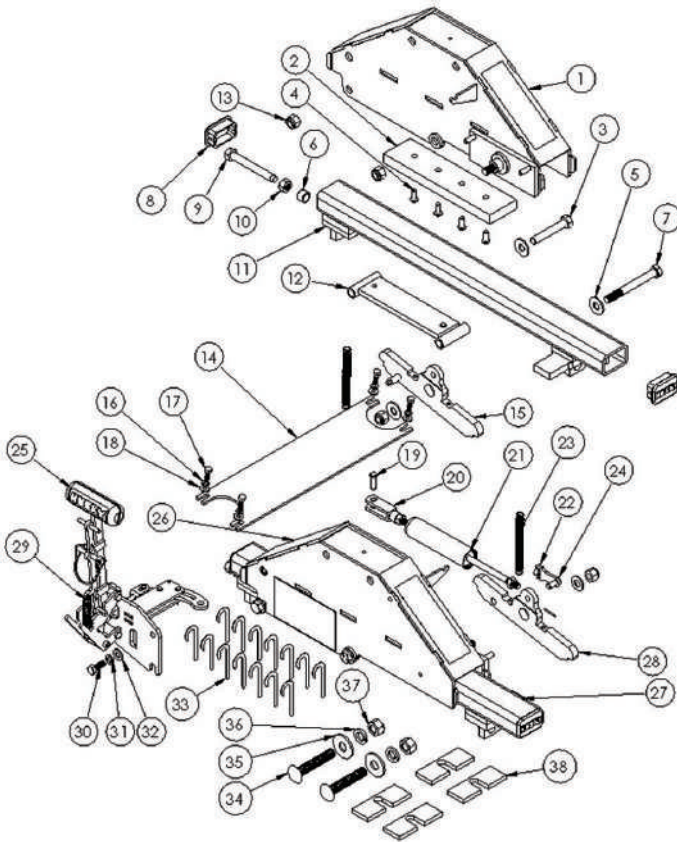
31574 PIVOT PIN KIT  
 31575 CROSS BEAM HARDWARE KIT  
 31576 BASE RAIL HARDWARE KIT  
 31580 CROSS BEAM KIT

31581 HEAD & YOKE KIT  
 31579 HANDLE GRIP KIT  
 31703 RUBBER BUMPER KIT  
 32043 SHIM KIT



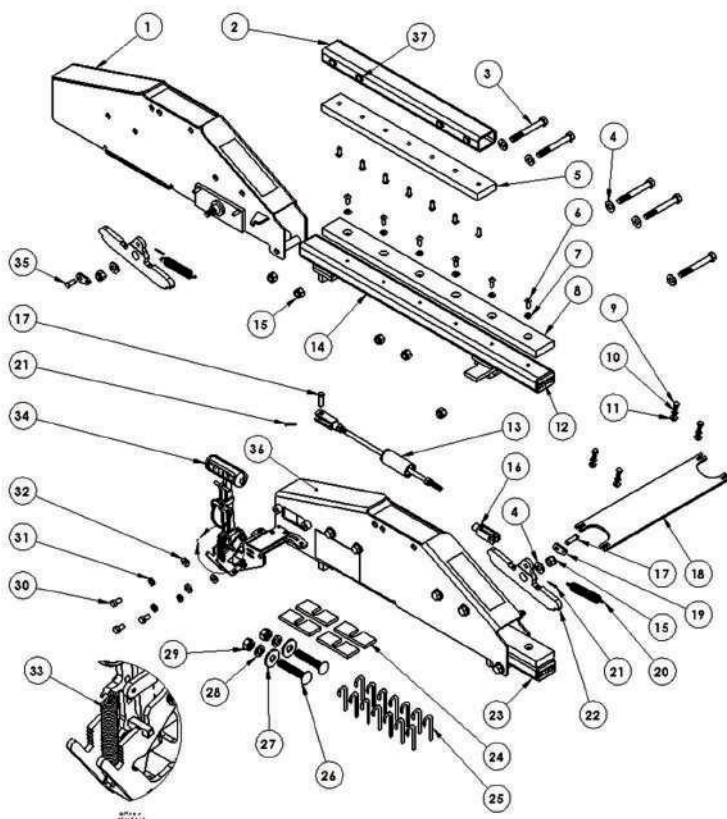
NO.	DESCRIPTION	BOX 1		BOX 2		31325	31573	31574	31839	31576	31577	31578	31579	31703	32043
		31318	31318	31318	31318										
QTY	QTY	QTY	QTY	QTY	QTY	QTY	QTY	QTY	QTY	QTY	QTY	QTY	QTY	QTY	QTY
1	26K 5TH WHEEL HEAD ASSEMBLY	1	-	-	-	-	-	-	-	-	-	1	-	-	-
2	HANDLE	1	-	-	1	-	-	-	-	-	-	-	-	-	-
3	CARRIAGE BOLT, 3/8-16 X 1.25" L	2	-	-	2	-	-	-	-	-	-	-	-	-	-
4	LOCK WASHER, 3/8" ID	2	-	-	2	-	-	-	-	-	-	-	-	-	-
5	HEX NUT, 3/8-16	2	-	-	2	-	-	-	-	-	-	-	-	-	-
N/A	INSTRUCTIONS 26K (NOT SHOWN)	1	1	1	1	1	1	1	1	1	1	1	1	1	1
6	CROSSMEMBER	-	1	-	-	-	-	-	-	-	1	-	-	-	-
7	PIVOT PIN	-	1	-	-	1	-	-	-	-	-	-	-	-	-
8	CASTLE NUT, 1-1/2-12	-	1	-	-	1	-	-	-	-	-	-	-	-	-
9	SAFETY LOCKING PIN	-	1	-	-	1	-	-	-	-	-	-	-	-	-
10	HEX HEAD BOLT, 1/2-13 X 4.5" LONG	-	4	-	-	-	-	4	-	-	-	-	-	-	-
11	WASHER, 1/2" ID	-	4	-	-	-	-	4	-	-	-	-	-	-	-
12	LOCK WASHER, 1/2" ID	-	4	-	-	-	-	4	-	-	-	-	-	-	-
13	HEX NUT, 1/2-13 UNC	-	4	-	-	-	-	4	-	-	-	-	-	-	-
14	CLEVIS PIN, 1/2" OD X 2.50" LG	-	4	-	-	-	-	-	-	4	-	-	-	-	-
15	HAIR PIN	-	4	-	-	-	-	-	-	4	-	-	-	-	-
16	UPRIGHT	-	-	2	-	-	-	-	-	-	-	-	-	-	-
17	BASE RAIL FOR 5TH WHEEL(NOT INCLUDED)	NA	NA	NA	NA	NA	NA	NA	NA	NA	NA	NA	NA	NA	NA
18	HANDLE, FOAM GRIP	1	-	-	1	-	-	-	-	-	-	-	2	-	-
19	RUBBER BUMPER	-	2	-	-	-	-	-	-	-	2	-	-	2	-
20	SHIM KIT	-	-	14	-	-	-	-	-	-	-	-	-	-	14

31318	26K W HEAD & YOKE, BOX 1/2	31574	PIVOT PIN KIT	31578	26K W HEAD & YOKE KIT
31318	26k W CROSSMEMBER & PIVOT PIN, BOX 2/2	31839	CROSS BEAM HARDWARE KIT	31579	HANDLE GRIP KIT
31325	UPRIGHT KIT	31576	BASE RAIL HARDWARE KIT	32043	SHIM KIT
31573	HANDLE KIT	31577	26K W CROSSMEMBER KIT		



- 31196 3 BOX SET FOR 16K HUSKY 10 GLIDER
- 32043 SHIM KIT
- 31751 16K HUSKY 10 PULL HANDLE SERVICE KIT
- 31752 3/8" HARDWARE KIT FOR 16K HUSKY 10 PULL HANDLE
- 31789 16K HUSKY 10 GLIDING PAD SERVICE KIT
- 31795 16K HUSKY 10 COMPRESSION CYLINDER ASSY SERVICE KIT
- 32048 HUSKY 10 HANDLE RETURN SPRING SERVICE KIT
- 31796 16K HUSKY 10 PS PIVOT ASSEMBLY SERVICE KIT
- 31797 16K HUSKY 10 CLEVIS-COTTER PIN SERVICE KIT
- 31803 16K HUSKY 10 PIVOT PLATE ASSEMBLY SERVICE KIT
- 31804 16K HUSKY 10, HOUSING HARDWARE (1/2") SERVICE KIT
- 32054 HUSKY 10 END TUBE PLUGS SERVICE KIT
- 31805 16K HUSKY 10 PIVOT RETURN SPRING SERVICE KIT
- 32058 PIVOT PLATE HARDWARE SERVICE KIT
- 32059 CENTER BOLT SERVICE KIT
- 31806 BUMP STOP SERVICE KIT
- 31745 DRIVER SIDE 16K HUSKY 10 ASSEMBLY SERVICE KIT
- 31748 PASSENGER SIDE 16K HUSKY 10 ASSEMBLY SERVICE KIT

NO.	DESCRIPTION	31196	32043	31751	31752	31789	31795	32048	31796	31797	31803	31804	32054	31805	32058	32059	31806	31745	31748	
		QTY	QTY	QTY	QTY	QTY	QTY	QTY	QTY	QTY	QTY	QTY	QTY	QTY	QTY	QTY	QTY	QTY	QTY	QTY
1	PASSENGER SIDE HOUSING WELDMENT	1	-	-	-	-	-	-	-	-	-	-	-	-	-	-	-	-	-	1
2	GLIDE PAD	2	-	-	-	2	-	-	-	-	-	-	-	-	-	-	-	-	1	1
3	1/2-13 X 4" HEX BOLT, GR5	2	-	-	-	-	-	-	-	-	-	-	-	-	-	-	-	-	1	1
4	BUTTON HEAD SCREW, 5/16-18 UNC X 3/4", GR5	8	-	-	-	8	-	-	-	-	-	-	-	-	-	-	-	-	4	4
5	1/2" ID FLAT WASHER	6	-	-	-	-	1	-	1	-	-	2	-	-	-	-	-	-	3	3
6	BUSHING, 3/4" OD X 9/16" ID X 1/2" LONG	2	-	-	-	-	-	-	-	-	-	-	-	-	-	-	-	2	1	1
7	1/2-13 X 4.5 HEX BOLT, GR5	2	-	-	-	-	-	-	-	-	-	2	-	-	-	-	-	-	1	1
8	HUSKY TUBE PLUG	4	-	-	-	-	-	-	-	-	-	-	2	-	-	-	-	-	2	2
9	1/2-13 X 4" HEX BOLT, GR8	2	-	-	-	-	-	-	-	-	-	-	-	-	-	-	-	2	1	1
10	1/2-13 HEX NUT	2	-	-	-	-	-	-	-	-	-	-	-	-	-	-	-	2	1	1
11	PASSENGER SIDE LOWER RAIL WELDMENT	1	-	-	-	-	-	-	-	-	-	-	-	-	-	-	-	-	1	-
12	HOUSING/RAIL SPACING ASSEMBLY	2	-	-	-	-	-	-	-	-	-	1	-	-	-	-	-	-	1	1
13	1/2" NYLON LOCK NUT	6	-	-	-	-	1	-	1	-	-	2	-	-	-	-	-	-	3	3
14	PIVOT PLATE	1	-	-	-	-	-	-	-	-	1	-	-	-	-	-	-	-	-	-
15	PASSENGER SIDE FLIPPER WELDMENT	1	-	-	-	-	-	-	1	-	-	-	-	-	-	-	-	-	-	1
16	1/4" LOCK WASHER	4	-	-	-	-	-	-	-	-	4	-	-	-	4	-	-	-	-	-
17	1/4 -20 X .75" HEX BOLT, GR5	4	-	-	-	-	-	-	-	-	4	-	-	-	4	-	-	-	-	-
18	1/4" FLAT WASHER	4	-	-	-	-	-	-	-	-	4	-	-	-	4	-	-	-	-	-
19	CLEVIS PIN, 3/8 X 1.25, STEEL	1	-	-	-	-	-	-	-	1	-	-	-	-	-	-	-	-	1	-
20	COTTER PIN, 7/64 X 1, STEEL	2	-	-	-	-	1	-	-	2	-	-	-	-	-	-	-	-	1	-
21	HUSKY 10-16K COMPRESSION SPRING ASSY	1	-	-	-	-	1	-	-	-	-	-	-	-	-	-	-	-	-	-
22	NUT AND PLATE WELDMENT	1	-	-	-	-	1	-	-	-	-	-	-	-	-	-	-	-	1	-
23	EXTERNAL SPRING, 1/2" OD X 4.50" LONG	2	-	-	-	-	1	-	1	-	-	-	-	2	-	-	-	-	1	1
24	CLEVIS PIN, 3/8 X .875, STEEL	1	-	-	-	-	1	-	-	1	-	-	-	-	-	-	-	-	-	-
25	HUSKY 10-16K PULL HANDLE ASSEMBLY	1	-	1	-	-	-	-	-	-	-	-	-	-	-	-	-	-	-	-
26	DRIVER SIDE HOUSING WELDMENT	1	-	-	-	-	-	-	-	-	-	-	-	-	-	-	-	-	1	-
27	DRIVER SIDE LOWER RAIL WELDMENT	1	-	-	-	-	-	-	-	-	-	-	-	-	-	-	-	-	1	-
28	DRIVER SIDE FLIPPER WELDMENT	1	-	-	-	-	1	-	-	-	-	-	-	-	-	-	-	-	1	-
29	EXTENSION SPRING 1/2" OD X 2.75" LONG	1	-	-	-	-	-	1	-	-	-	-	-	-	-	-	-	-	-	-
30	3/8-16 UNC X 1.00 HEX BOLT, GR5	1	-	1	1	-	-	-	-	-	-	-	-	-	-	-	-	-	-	-
31	3/8 LOCK WASHER	1	-	1	1	-	-	-	-	-	-	-	-	-	-	-	-	-	-	-
32	3/8 FLAT WASHER	1	-	1	1	-	-	-	-	-	-	-	-	-	-	-	-	-	-	-
33	SHIM KIT	1	14	-	-	-	-	-	-	-	-	-	-	-	-	-	-	-	-	-
34	5/8-11 UNC X 3.50 CARRIAGE HEAD BOLT, GR. 5	2	-	-	-	-	-	-	-	-	-	-	-	-	-	2	-	-	-	-
35	5/8" FLAT WASHER	2	-	-	-	-	-	-	-	-	-	-	-	-	-	2	-	-	-	-
36	5/8" LOCK WASHER	2	-	-	-	-	-	-	-	-	-	-	-	-	-	2	-	-	-	-
37	5/8-11 UNC HEX NUT	2	-	-	-	-	-	-	-	-	-	-	-	-	-	2	-	-	-	-
38	SPACER PLATE	4	-	-	-	-	-	-	-	-	-	-	-	-	-	4	-	-	-	-



- 32042 3 BOX SET FOR 26K HUSKY 10 GLIDER
- 32043 SHIM KIT
- 32044 26K HUSKY 10 PULL HANDLE KIT
- 32045 3/8" HARDWARE KIT FOR 26K HUSKY 10 PULL HANDLE KIT
- 32046 SERVICE, 26K HUSKY 10 GLIDING PAD KIT
- 32047 26K HUSKY 10 COMPRESSION CYLINDER W/SIDE PIVOT (FLIPPER) ASSEMBLY KIT
- 32048 HUSKY 10 HANDLE RETURN SPRING KIT
- 32049 26K HUSKY 10 PASSENGER SIDE PIVOT (FLIPPER) ASSEMBLY KIT
- 32050 HUSKY 10 CLEVIS/COTTER PIN KIT
- 32051 26K HUSKY 10 PIVOT PLATE ASSEMBLY KIT
- 32053 26K HUSKY 10 HOUSING HARDWARE (1/2") KIT
- 32054 HUSKY 10 END TUBE PLUG KIT
- 32056 HUSKY 10 PIVOT (FLIPPER) RETURN SPRING SERVICE KIT
- 32058 PIVOT PLATE HARDWARE SERVICE KIT
- 32059 CENTER BOLT KIT

NO.	DESCRIPTION	32042 QTY	32043 QTY	32044 QTY	32045 QTY	32046 QTY	32047 QTY	32048 QTY	32049 QTY	32050 QTY	32051 QTY	32053 QTY	32054 QTY	32056 QTY	32058 QTY	32059 QTY
1	PASSENGER SIDE HOUSING WELDMENT	1	-	-	-	-	-	-	-	-	-	-	-	-	-	-
2	UPPER SUPPORT TUBE	2	-	-	-	-	-	-	-	-	-	-	-	-	-	-
3	HEX HEAD BOLT 1/2 -13 X 4" LONG, GR5, YZ	10	-	-	-	-	-	-	-	-	-	5	-	-	-	-
4	1/2" FLAT WASHER	12	-	-	-	-	1	-	1	-	-	5	-	-	-	-
5	UPPER GLIDE PLATE	2	-	-	-	1	-	-	-	-	-	-	-	-	-	-
6	SOCKET BUTTON CAP SCREW, 5/16-18 UNC X 3/4", GR5, BO	26	-	-	-	13	-	-	-	-	-	-	-	-	-	-
7	5/16" FLAT WASHER	12	-	-	-	6	-	-	-	-	-	-	-	-	-	-
8	LOWER GLIDE PLATE	2	-	-	-	1	-	-	-	-	-	-	-	-	-	-
9	HEX HEAD BOLT 1/4 -20 X .75", GR5, YZ	4	-	-	-	-	-	-	-	-	4	-	-	-	4	-
10	1/4" LOCK WASHER	4	-	-	-	-	-	-	-	-	4	-	-	-	4	-
11	1/4" FLAT WASHER	4	-	-	-	-	-	-	-	-	4	-	-	-	4	-
12	HUSKY RUBBER TUBE PLUG	4	-	-	-	-	-	-	-	-	-	-	2	-	-	-
13	COMPRESSION CYLINDER ASSEMBLY	1	-	-	-	-	1	-	-	-	-	-	-	-	-	-
14	PASSENGER SIDE RAIL WELDMENT	1	-	-	-	-	-	-	-	-	-	-	-	-	-	-
15	1/2-13 LOCK NUT, GR5, YZ	12	-	-	-	-	1	-	1	-	-	5	-	-	-	-
16	CLEVIS ROD END	1	-	-	-	-	1	-	-	-	-	-	-	-	-	-
17	CLEVIS PIN, 3/8 X 1.25, STEEL, YZ	2	-	-	-	-	2	-	-	2	-	-	-	-	-	-
18	PIVOT PLATE	1	-	-	-	-	-	-	-	-	1	-	-	-	-	-
19	EXTENSION SPRING PIVOT PLATE	2	-	-	-	-	1	-	1	-	-	-	-	-	-	-
20	EXTENSION SPRING 3/4" OD X 3.50" LONG YZ	2	-	-	-	-	1	-	1	-	-	-	-	2	-	-
21	COTTER PIN, 7/64 X 1, STEEL, YZ	3	-	-	-	-	2	-	1	3	-	-	-	-	-	-
22	PIVOT STOP PLATE (FLIPPER)	2	-	-	-	-	1	-	1	-	-	-	-	-	-	-
23	DRIVER SIDE RAIL WELDMENT	1	-	-	-	-	-	-	-	-	-	-	-	-	-	-
24	SPACER PLATE	4	-	-	-	-	-	-	-	-	-	-	-	-	-	4
25	SHIM KIT	14	14	-	-	-	-	-	-	-	-	-	-	-	-	-
26	5/8-11 UNC X 3.50 CARRIAGE HEAD BOLT, GR. 5, BO	4	-	-	-	-	-	-	-	-	-	-	-	-	-	2
27	5/8" FLAT WASHER	4	-	-	-	-	-	-	-	-	-	-	-	-	-	2
28	5/8" LOCK WASHER	4	-	-	-	-	-	-	-	-	-	-	-	-	-	2
29	5/8-11 UNC HEX NUT	4	-	-	-	-	-	-	-	-	-	-	-	-	-	2
30	BOLT, HEAD, HEX, 3/8-16 X .75, GR5, YZ	3	-	3	3	-	-	-	-	-	-	-	-	-	-	-
31	3/8" LOCK WASHER	3	-	3	3	-	-	-	-	-	-	-	-	-	-	-
32	3/8" FLAT WASHER	3	-	3	3	-	-	-	-	-	-	-	-	-	-	-
33	EXTENSION SPRING 1/2" OD X 2.75" LONG YZ	1	-	-	-	-	-	1	-	-	-	-	-	-	-	-
34	26K HUSKY 10 PULL HANDLE ASSEMBLY	1	-	1	-	-	-	-	-	-	-	-	-	-	-	-
35	CLEVIS PIN, 3/8 X .875, STEEL, YZ	1	-	-	-	-	-	-	1	1	-	-	-	-	-	-
36	DRIVER SIDE HOUSING WELDMENT	1	-	-	-	-	-	-	-	-	-	-	-	-	-	-
37	1/2" ID SPACER	10	-	-	-	-	-	-	-	-	-	5	-	-	-	-

VEND NAME	KIT DETAILS	FULL KIT KAO PART#	KIT - ITEM DESCRIPTION	COMPONENT PART#	COMPONENT - ITEM DESCRIPTION
HUSKY TOWING	OEM KITS	33012K	RAM 16KS OEM 5TH WHEEL HITCH	33000	RAM OEM UPRIGHTS
				31453	16KS HEAD ASSEMBLY KIT
				32999	16KS OEM CROSSMEMBER KIT
HUSKY TOWING	OEM KITS	33011K	RAM 16KW OEM 5TH WHEEL HITCH	33000	RAM OEM UPRIGHTS
				31569	16KW HEAD AND YOKE ASSEMBLY
				32998	16KW/26KW OEM CROSSMEMBER
HUSKY TOWING	OEM KITS	33021K	RAM 26KW OEM 5TH WHEEL HITCH	33000	RAM OEM UPRIGHTS
				31570	26KW HEAD AND YOKE ASSEMBLY
				32998	16KW/26KW OEM CROSSMEMBER
HUSKY TOWING	OEM KITS	33018K	FORD 16KS OEM 5TH WHEEL HITCH	32997	FORD OEM UPRIGHTS
				31453	16KS HEAD ASSEMBLY KIT
				32999	16KS OEM CROSSMEMBER KIT
HUSKY TOWING	OEM KITS	33013K	FORD 16KW OEM 5TH WHEEL HITCH	32997	FORD OEM UPRIGHTS
				31569	16KW HEAD AND YOKE ASSEMBLY
				32998	16KW/26KW OEM CROSSMEMBER
HUSKY TOWING	OEM KITS	33017K	FORD 26KW OEM 5TH WHEEL HITCH	32997	FORD OEM UPRIGHTS
				31570	26KW HEAD AND YOKE ASSEMBLY
				32998	16KW/26KW OEM CROSSMEMBER
HUSKY TOWING	OEM KITS	33151K	GM 16KS OEM 5TH WHEEL HITCH	31453	16KS HEAD ASSEMBLY KIT
				32999	16KS OEM CROSSMEMBER KIT
				33118	GM OEM UPRIGHTS
				31569	16KW HEAD AND YOKE ASSEMBLY
HUSKY TOWING	OEM KITS	33152K	GM 16KW OEM 5TH WHEEL HITCH	32998	16KW/26KW OEM CROSSMEMBER
				33118	GM OEM UPRIGHTS
				31570	26KW HEAD AND YOKE ASSEMBLY
HUSKY TOWING	OEM KITS	33153K	GM 26KW OEM 5TH WHEEL HITCH	32998	16KW/26KW OEM CROSSMEMBER
				33118	GM OEM UPRIGHTS
				31313	16KS HITCH HEAD & CROSSMEMBER
HUSKY TOWING	5TH WHEEL KITS	31664KIT	16KS 5TH WHEEL W/UPRIGHT KIT	31314	16K UPRIGHTS
				32354KIT	16KS HITCH HEAD & CROSSMEMBER
HUSKY TOWING	5TH WHEEL KITS	32354KIT	16KS 5TH WHEEL W/ROLLER KIT	32220	16K ROLLER
				31665KIT	16KS HITCH HEAD & CROSSMEMBER
HUSKY TOWING	5TH WHEEL KITS	31665KIT	16KS 5TH WHEEL W/GLIDER KIT	31313	16KS HITCH HEAD & CROSSMEMBER
				31196	16K COMPOSITE GLIDER
HUSKY TOWING	5TH WHEEL KITS	33169K	16KS 5TH WHEEL W/26K HD ROLLER	31313	16KS HITCH HEAD & CROSSMEMBER
				33143	26K HD ROLLER
HUSKY TOWING	5TH WHEEL KITS	31326KIT	16KW HEAD & CROSSMEMBER KIT	31567	16KW CROSSMEMBER
				31569	16KW HEAD AND YOKE ASSEMBLY
HUSKY TOWING	5TH WHEEL KITS	31666KIT	16KW 5TH WHEEL W/UPRIGHT KIT	31567	16KW CROSS MEMBER
				31569	16KW HEAD AND YOKE ASSEMBLY
				31314	16K UPRIGHTS
				31567	16KW CROSSMEMBER
HUSKY TOWING	5TH WHEEL KITS	31667KIT	16KW 5TH WHEEL W/GLIDER KIT	31569	16KW HEAD AND YOKE ASSEMBLY
				31196	16K COMPOSITE GLIDER
				31567	16KW CROSSMEMBER
HUSKY TOWING	5TH WHEEL KITS	32392KIT	16KW 5TH WHEEL W/16K ROLLER KIT	31567	16KW CROSSMEMBER
				31569	16KW HEAD AND YOKE ASSEMBLY
				32220	16K ROLLER
HUSKY TOWING	5TH WHEEL KITS	33170K	16KW 5TH WHEEL W/26K HD ROLLER	31569	16KW HEAD AND YOKE ASSEMBLY
				31567	16KW CROSSMEMBER
				33143	26K HD ROLLER
HUSKY TOWING	5TH WHEEL KITS	31318KIT	26KW HEAD & CROSSMEMBER KIT	31568	26KW CROSSMEMBER
				31570	26KW HEAD AND YOKE ASSEMBLY
HUSKY TOWING	5TH WHEEL KITS	31668KIT	26KW 5TH WHEEL W/UPRIGHT KIT	31568	26KW CROSSMEMBER
				31570	26KW HEAD AND YOKE ASSEMBLY
				31325	26K UPRIGHTS
HUSKY TOWING	5TH WHEEL KITS	31690KIT	26KW 5TH WHEEL W/GLIDER KIT	31568	26KW CROSSMEMBER
				31570	26KW HEAD AND YOKE ASSEMBLY
				32042	26K COMPOSITE GLIDER
HUSKY TOWING	5TH WHEEL KITS	33171K	26KW 5TH WHEEL W/26K HD ROLLER	31570	26KW HEAD AND YOKE ASSEMBLY
				31568	26KW CROSSMEMBER
				33143	26K HD ROLLER



## CUSTOM BRACKET KITS, REQUIRED FOR USE WITH 30686 BASE RAIL

YEARS	PICKUP MODEL	BED LENGTH	DRILLING REQUIRED	PIECE COUNT	BOLT COUNT	NTP #	MFG #
<b>CHEVROLET / GMC</b>							
1988 - 1998	C/K 1500, 88-99, C/K 2500/3500	6-1/2', 8'	YES	4 Pieces	4 Bolts	14-1034	31402
1999 - 2010	Silverado/Sierra, All (includes up to 07 classic) plus 07-09 2500HD & 3500	6-1/2', 8'	YES	4 Pieces	4 Bolts	14-1326	31415
2007 - 2013	Silverado/Sierra 1500	6-1/2', 8'	YES	2 Pieces	4 Bolts	14-1318	31396
2014 - 2015	Silverado/Sierra 1500 (long bed only), (Except Double & Crew Cabs)	8"	YES	2 Pieces	4 Bolts	14-1318	31396
2007 - 2019	Silverado/Sierra 1500	5-1/2', 6-1/2', 8'	YES	2 Pieces	4 Bolts	14-1456	32831
2019 - 2020	Silverado/Sierra 1500 New Body	5-1/2', 6-1/2', 8'	YES	2 Pieces	4 Bolts	15-1940	33201
2019 - 2020	Silverado/Sierra 1500 New Body	5-1/2', 6-1/2', 8'	YES	4 Pieces	4 Bolts	15-1941	33202
2001 - 2010	2500/3500 With or Without Integrated Brake Control Plus 99-07 Classic 1500	6-1/2', 8'	YES	2 Pieces	4 Bolts	14-1035	31397
2011 - 2019	Pickup 2500/3500	6-1/2', 8'	NO	2 Pieces	4 Bolts	14-1041	31852
2011 - 2019	Pickup 2500/3500	6-1/2', 8'	YES	4 Pieces	4 Bolts	14-1042	31853
<b>DODGE / RAM</b>							
1994 - 2002	Ram Pickup, All (except 2002 1500)	6-1/2', 8'	YES	4 Pieces	4 Bolts	14-1036	31404
2002 - 2008	Ram Pickup 1500, plus '06 1500 Mega Cab	6-1/2', 8'	YES	2 Pieces	4 Bolts	14-1033	31565
2002 - 2008	Ram Pickup 1500, (except '06 1500 non-Mega Cab)	6-1/2', 8'	NO	4 Pieces Bolt-on Bracket Kit	4 Bolts	14-1142	31413
2009 - 2018	Ram Pickup 1500, All Models (except '13-'17 factory air suspension)	5-1/2', 6-1/2', 8'	NO	4 Pieces Bolt-on Bracket Kit	4 Bolts	14-1040	31566
2019	Ram Pickup 1500	5-1/2', 6-1/2', 8'	NO	4 Pieces Bolt-on Bracket Kit	4 Bolts	15-1942	33204
2003 - 2009	Ram Pickup 2500, 3500 (except 3500HD 4WD)	6-1/2', 8'	YES	2 Pieces	4 Bolts	14-1033	31565
2003 - 2012	Ram Pickup 2500, 3500	6-1/2', 8'	NO	4 Pieces Bolt-on Bracket Kit	4 Bolts	14-1142	31413
2013 ONLY	Ram Pickup 2500 ONLY, All Models	6-1/2', 8'	YES	4 Pieces	4 Bolts	14-1043	32084
2014 - 2019	Ram Pickup 2500 ONLY, All Models	6-1/2', 8'	YES	4 Pieces	4 Bolts	14-1048	32556
2013 - 2019	Ram Pickup 3500 ONLY, All Models (except '14-'17 factory air suspension)	6-1/2', 8'	NO	4 Pieces Bolt-on Bracket Kit	4 Bolts	14-1044	32221
2013 - 2019	Ram Pickup 3500 ONLY, All Models	6-1/2', 8'	NO	4 Pieces Bolt-on Bracket Kit	4 Bolts	71-5234	33073
<b>FORD</b>							
1997 - 2004	F-150 Heritage (old body)	6-1/2', 8'	YES	4 Pieces	4 Bolts	14-1453	31409
2004 - 2014	F-150 (clamp-on)	6-1/2', 8'	NO	4 Pieces Bolt-on Bracket Kit	4 Bolts	14-1031	31564
2015 - 2020	F-150 (new aluminum body)	5-1/2', 6-1/2', 8'	YES	4 Pieces	4 Bolts	14-1299	32858
1999 - 2004	F-250/350 Super Duty	6-1/2', 8'	YES	N/A	4 Bolts	14-1037	31405
1999 - 2004	F-250/350 Super Duty	6-1/2', 8'	YES	4 Pieces	4 Bolts	14-1032	31406
1999 - 2007	F-250/350 Super Duty	6-1/2', 8'	NO	2 Pieces Bolt-on Bracket Kit	4 Bolts	14-1030	31407
2008 - 2016	F-250/350/450 Super Duty (except chassis cab)	6-1/2', 8'	YES	2 Pieces	4 Bolts	14-1029	31408
2017 - 2019	F-250/350/450 Super Duty (except chassis cab) (new aluminum body)	6-1/2', 8'	YES	2 Pieces	4 Bolts	71-5255	33094
2005 - 2016	F-250/350/450 Super Duty (except chassis cab) (new aluminum body)	6-1/2', 8'	YES	4 Pieces	4 Bolts	72-7609	33139
2005 - 2015	F-250 (except '11-'15 diesel pick-ups)	6-1/2', 8'	YES	4 Pieces	4 Bolts	14-1141	31412
2005 - 2016	F-350 plus '08-'09 F-450 Super Duty (except '11-'16 diesel pick-ups)	6-1/2', 8'	YES	4 Pieces	4 Bolts	14-1141	31412
<b>NISSAN</b>							
2004 - 2015	Titan King Cab plus '08-'09 Titan Crew Cab Pickup	5-1/2', 6-1/2', 8'	YES	4 Pieces	4 Bolts	14-1454	31563
<b>TOYOTA</b>							
2007 - 2019	Tundra Pickup	5-1/2', 6-1/2', 8'	YES	N/A	4 Bolts	14-1038	31622

## UNIVERSAL BRACKET KITS

UNIVERSAL BRACKET KITS					NTP #	MFG #
INTENDED FOR USE WITH VEHICLES PRIOR TO 2018 WITH NO CUSTOM BRACKET KIT						
Universal Style, for full size pickups	6-1/2', 8'	Drilling Required	4 Pieces	4 Bolts	14-1186	31563
Universal Style, for full size pickups	6-1/2', 8'	Drilling Required	4 Pieces	10 Bolts	14-1329	31622

### SEE BELOW FOR ADDITIONAL SUPPLEMENTARY COMPONENTS

YEARS	PICKUP MODEL	BED LENGTH	DRILLING REQUIRED	DESCRIPTION	BOLT COUNT	NTP #	MFG #
<b>4 BOLT BASE RAIL ADAPTER BRACKET KITS. THESE KITS REQUIRE THE PURCHASE OF UNIVERSAL KIT 31563.</b>							
2002 - 2008	Ram Pickup Full Size 1500 (except Mega Cab)	6-1/2', 8'	YES	2 Piece Adaptor Bracket Kit	4 Bolts	14-1169	30640
2009 - 2018	Ram 1500	6-1/2', 8'	YES	2 Piece Adaptor Bracket Kit	4 Bolts	14-1185	30665
2002 - 2013	Ram Full Size 2500 (except Mega Cab)	6-1/2', 8'	YES	2 Piece Adaptor Bracket Kit	4 Bolts	14-1159	30607
2002 - 2012	Ram Full Size 3500 (except Mega Cab)	6-1/2', 8'	YES	2 Piece Adaptor Bracket Kit	4 Bolts	14-1159	30607
1996 - Older	Ford F-150	6-1/2', 8'	YES	2 Piece Adaptor Bracket Kit	4 Bolts	14-1159	30607
2004 - 2013	Ford F-150	6-1/2', 8'	YES	4 Piece Custom Bracket Kit	4 Bolts	14-1168	30619
1997 - Older	Ford F-250/350	6-1/2', 8'	YES	2 Piece Adaptor Bracket Kit	4 Bolts	14-1159	30607
1999 - 2016	Ford F-250/350/450 Super Duty (except chassis cab)	6-1/2', 8'	YES	2 Piece Adaptor Bracket Kit	4 Bolts	14-1159	30607

<b>10 BOLT BASE RAIL ADAPTER BRACKET KITS. THESE KITS REQUIRE THE PURCHASE OF UNIVERSAL KIT 31622.</b>							
2002 - 2008	Dodge 1500	6-1/2', 8'	YES	1 Piece Adaptor Bracket Kit	10 Bolts	14-1279	30562
2003 - 2012	Dodge 2500/3500	6-1/2', 8'	YES	2 Piece Adaptor Bracket Kit	10 Bolts	14-1156	30582
2004 - 2013	F-150	6-1/2', 8'	YES	4 Piece Custom Bracket Kit	10 Bolts	14-1168	30619
2007 - 2019	Toyota Tundra	5-1/2', 6-1/2', 8'	YES	Spacer Tubes for 10 bolt kit	10 Bolts	14-1158	30600
2000 - 2006	Toyota Tundra	6-1/2', 8'	YES	Spacer Tubes for 10 bolt kit	10 Bolts	14-1157	30597

<b>ADAPTER BRACKET KIT. FITS BOTH 4 &amp; 10 BOLT BASE RAILS. REQUIRES THE PURCHASE OF UNIVERSAL KIT 31563 OR 31622.</b>							
2004 - 2014	F-150	6-1/2', 8'	YES	4 Piece Custom Bracket Kit	4 & 10 Bolts	14-1168	30619

PART #	MFG #	ADDITIONAL BRACKETS & HARDWARE	QTY / HITCH
14-1039	31414	Custom Bracket Kit for use with 31404 : Fits Dodge '02-'05 Ram PU 1500, '03-'05 2500, 6-1/2' & 8' Bed	1
14-1188	31385	Straight "L" Bracket Service Kit	1
14-1189	31401	Left & Right Angle Bracket Replacement Kit	1
45-0093	31418	Hardware Service Kit for 31563	1
71-3623	31419	Base Rail 1/4" Spacer Kit	1
14-1191	31712	Base Rail Tall Spacer Block kit, Bag/4	1
14-1257	32767	Clip-On Nut Service Kit	1
14-1190	31417	Wheel Bolt Kit Pkg/8	1
45-0080	32059	Center Bolt Kit to use both Black & Silver Series 5th Wheel Hitches & Rollers	1
14-1155	30575	Replacement Spacer Tube Kit for the 31622 Kit (Used on '02-'08 1500 Dodge PU, 2003-2010 2500/3500 Dodge PU, 6-1/2' & 8' Bed)	1
72-2948	33156	Center Bolt Kit w/longer hardware - Replacing 32059	1
72-2888	33150	Center Bolt Kit to use with Aluminum Beds	1

## HUSKY CUSTOM WIRING HARNESSES FOR BRAKE CONTROLS

All harnesses are plug to plug connections

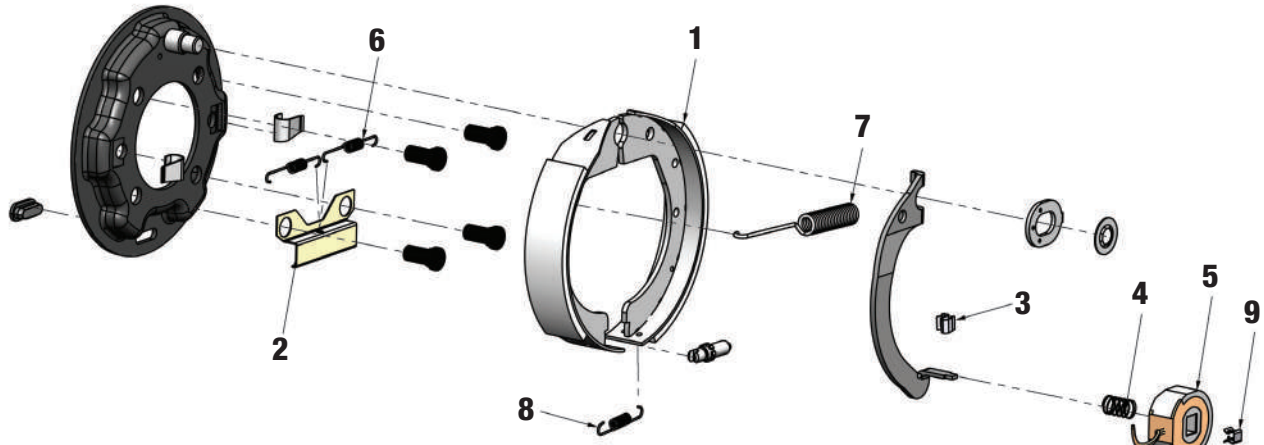
MAKE	MODEL	YEAR	NTP/STAG NO.	MFR. NO.
<b>BUICK</b>	Enclave	08-19	17-0657	31871
<b>CADILLAC</b>	Escalade	00-02	17-0667	31865
	Escalade	03-06	17-0668	31866
	Escalade/EXT/ESV	14-19	17-0674	32253
<b>CHEVROLET</b>	Avalanche	02	17-0667	31865
	Avalanche	03-06	17-0668	31866
	Silverado	99-02	17-0667	31865
	Silverado	03-06	17-0668	31866
	Silverado (Classic)	07	17-0668	31866
	Silverado 1500/2500/3500	15-19	17-0674	32253
	Suburban	00-02	17-0667	31865
	Suburban	03-06	17-0668	31866
	Suburban 1500	15-19	17-0674	32253
	Suburban 3500 HD	15-19	17-0674	32253
	Tahoe	00-02	17-0667	31865
	Tahoe	03-06	17-0668	31866
	Tahoe	15-19	17-0674	32253
Traverse	13-19	17-0657	31871	
<b>CHRYSLER</b>	Aspen	07-09	17-0666	31864
<b>DODGE</b>	Dakota	97-11	17-0666	31864
	Durango w/ tow pkg.	98-09	17-0666	31864
	Durango w/ tow pkg.	11-19	17-0695	30012
	Ram 1500	09	17-0694	31869
	Ram Pickup (all sizes) w/tow pkg	13-14	17-0672	32079
	Ram Pickup (all sizes) w/tow pkg	95-09	17-0666	31864
	Ram Pickup (all sizes) w/tow pkg	10-12	17-0694	31869
<b>FORD</b>	Bronco	96-06	17-0662	31862
	E-150 / 250 / 350	09-15	17-0665	31863
	E-350 / 450 RV	09-11	17-0665	31863
	Econoline Van	92-08	17-0662	31860
	Excursion	00-05	17-0662	31860
	Expedition	97-12	17-0662	31860
	Expedition	13-14	17-0665	31863
	Expedition	15-19	17-0664	31862
	Explorer	01-18	17-0662	31860
	F-150	94-08	17-0662	31860
	F-150	09-19	17-0664	31862
	F-250 / 350	94-04	17-0662	31860
	F-250 / F-350	05-16	17-0665	31863
	F-250 / F-350 / 450 / 550	17-19	17-0664	31862
	F-450 / 550	08-16	17-0665	31863
	F-450/ F-550	05-07	17-0663	31861
	F-53 Motor Home Chassis	00-14	17-0662	31860
	Flex	06-11	17-0662	31860
	Flex	12-19	17-0664	31862
	Van Full size	94-01	17-0662	31860
	Van Full size	04-08	17-0662	31860
Windstar	95-03	17-0662	31860	

MAKE	MODEL	YEAR	NTP/STAG NO.	MFR. NO.
<b>GMC</b>	Acadia	13-19	17-0657	31871
	Acadia Limited	17	17-0657	31871
	Denali	99-02	17-0667	31865
	Denali	03-06	17-0668	31866
	Denali	14-19	17-0674	31868
	Sierra	99-02	17-0667	31865
	Sierra	03-07	17-0668	31866
	Sierra 1500/2500/3500	14-19	17-0674	32253
	Sierra (Classic)	07	17-0668	31866
	Yukon	00-02	17-0667	31865
	Yukon	03-06	17-0668	31866
Yukon/Yukon XL	15-19	17-0674	32253	
<b>HONDA</b>	Pilot	06-19	17-0670	31868
	Ridgeline	17-19	17-0670	31868
<b>HUMMER</b>	H2	03-07	17-0668	31866
	H2 SUT	05-07	17-0668	31866
<b>INFINITY</b>	QX 56	04-15	17-0659	31858
	QX60/QX80	14-19	17-0659	31858
<b>JEEP</b>	Grand Cherokee w/tow pkg.	11-19	17-0695	30012
<b>LAND ROVER</b>	LR3	05-09	17-0662	31860
	LR4	10-16	17-0662	31860
	Range Rover	10-17	17-0662	31860
<b>LEXUS</b>	GX 460	10-18	17-0669	31867
	GX 470	03-11	17-0669	31867
	LX 570	08-11	17-0669	31867
	LX 570	13-18	17-0669	31867
<b>LINCOLN</b>	Aviator	03-05	17-0662	31860
	Mark LT	07-08	17-0662	31860
	MKT	10-11	17-0662	31860
	MKT	12-19	17-0664	31862
	Navigator	98-12	17-0662	31860
	Navigator	13-14	17-0665	31863
	Navigator	15-19	17-0664	31862
<b>MERCURY</b>	Mountaineer	00-11	17-0662	31860
<b>NISSAN</b>	Armada	04-15	17-0659	31858
	Armada	17	17-0659	31858
	Frontier	04-16	17-0659	31858
	NV Van	12-16	17-0659	31858
	Pathfinder	05-17	17-0659	31858
	Titan	04-18	17-0659	31858
	Titan XD	16-18	17-0659	31858
	Xterra	04-15	17-0659	31858
<b>SATURN</b>	Outlook	07-09	17-0657	31871
<b>TOYOTA</b>	4-Runner	03-19	17-0669	31867
	Land Cruiser	03-15	17-0669	31867
	Sequoia	03-19	17-0669	31867
	Tacoma	05-15	17-0669	31867
	Tundra	03-14	17-0669	31867

**QUALITY REPLACEMENT PARTS**

**AXLE TEK, DEXTER - 7" X 1.25" Electric Brakes**

CSA Certified by Axle Teknology (CSA master contract #239634)

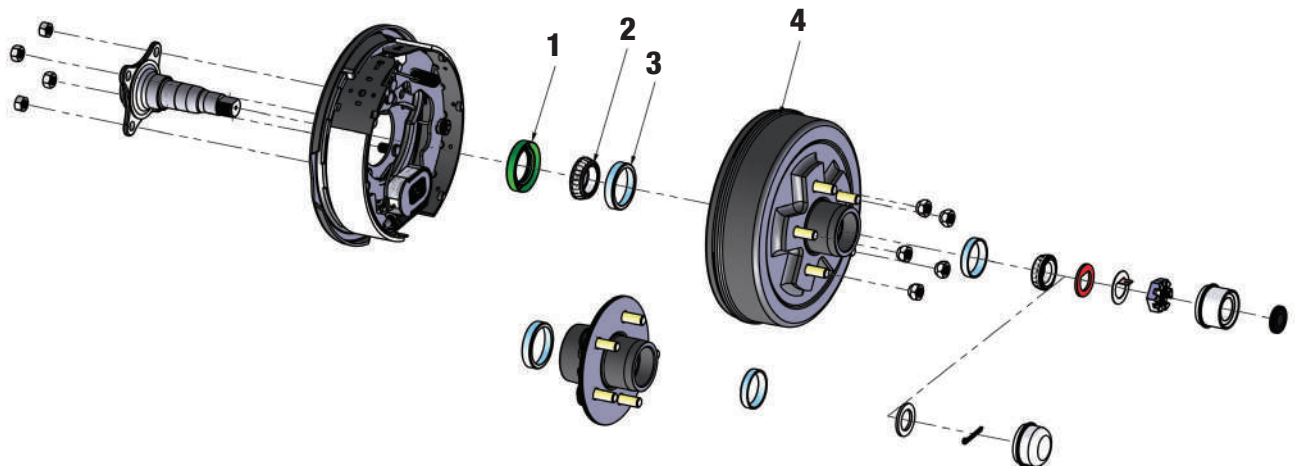


Manufactured for Husky by Axle Teknology

Ref.	NTP/STAG #	Husky Part #	REPLACES		Description
			Mfr./Axel Tek#	Dexter #	
	21-0094	30789	#KB7E-01	K23-047-00	Complete Brake Assembly LH
	21-0095	30788	#KB7E-02	K23-048-00	Complete Brake Assembly RH
1, 2	21-0078	30816	#KB7E-05	K71-045-00	Shoe/Lining Kit
3, 4, 5	21-0096	30817	#KB7E-06	K71-057-00	Magnet Kit
4, 6, 7, 8	21-0114	30824	#KBE-363-00	K71-363-00	Spring Kit
9	21-0112	30830	#KBE-321-00	5121	Retainer Clip Pkg/10

**QUALITY REPLACEMENT PARTS**

**AXLE TEK, DEXTER - 7" X 1.25" & 7" X 1.75" Hubs-Drums & Idler Hubs, Electric/Hydraulic**



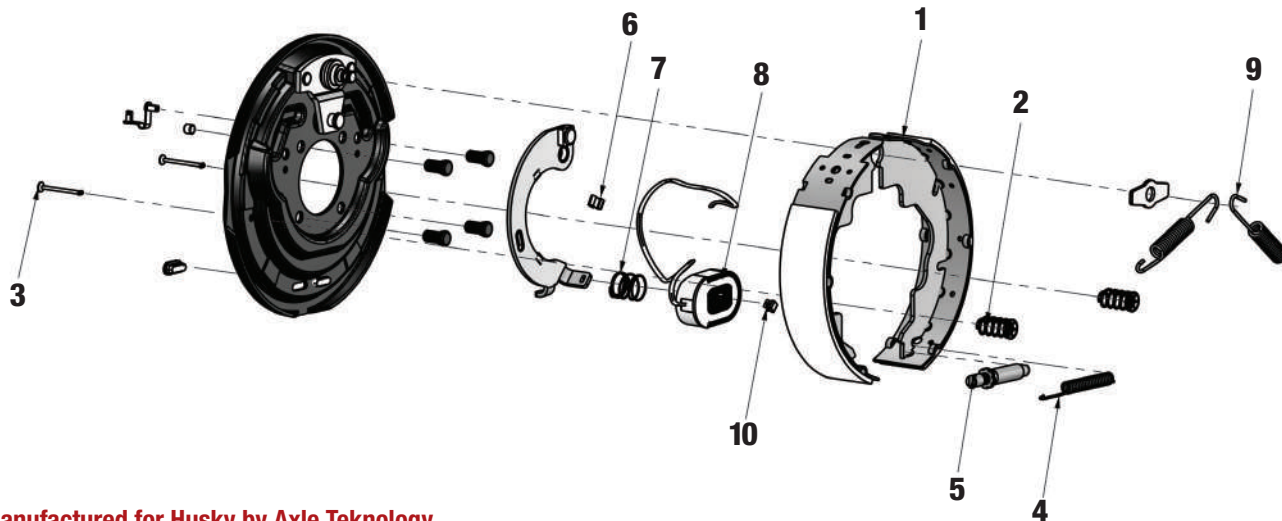
Manufactured for Husky by Axle Teknology

Ref.	NTP/STAG #	Husky Part #	REPLACES		Description
			Mfr./Axel Tek#	Dexter #	
1	21-0052	95912	#DL150-20		Grease Seals, 1.5" ID, Sleeve of 20
2, 3	21-0081	30812	#L44649/10	K71-306-00	Bearing Cone & Cup L44610 / L44649
4	21-0124	30792	#KBD-54522-17	008-257-05	Hub-Drum 5.45" BC Elec. 1.25"

**QUALITY REPLACEMENT PARTS**

**AXLE TEK, DEXTER - 7" X 1.25" ELECTRIC BRAKE**

CSA Certified by Axle Teknology (CSA master contract #239634)



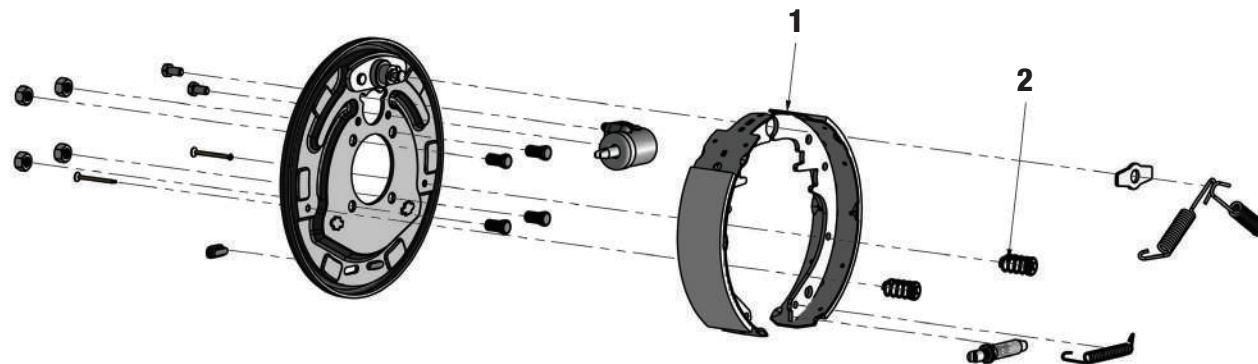
Manufactured for Husky by Axle Teknology

**REPLACES**

Ref.	NTP/STAG #	Husky Part #	Mfr./Axel Tek#	Dexter #	Description
	21-0058	30793	#KB10E-01	K23-026-00	Complete Brake Assembly LH
	21-0059	30794	#KB10E-02	K23-027-00	Complete Brake Assembly RH
1, 2, 3	21-0092	30821	#KB10E-05	K71-047-00	Shoe/Lining Kit
4, 5	21-0080	30826	#KBE-324-00	K71-324-00	Adjusting Screw Kit
6, 7, 8	21-0060	30818	#KB10E-06	K71-104-00	Magnet Kit
2, 4, 7, 9	21-0114	30824	#KBE-363-00	K71-363-00	Spring Kit
2, 3	21-0113	30825	#KBE-353-00	5353	Hold-Down Kit (Axle Set)
10	21-0112	30830	#KBE-321-00	5121	Retainer Clip Pkg/10

**QUALITY REPLACEMENT PARTS**

**AXLE TEK, DEXTER - 10" X 2.25" Hydraulic Brakes**

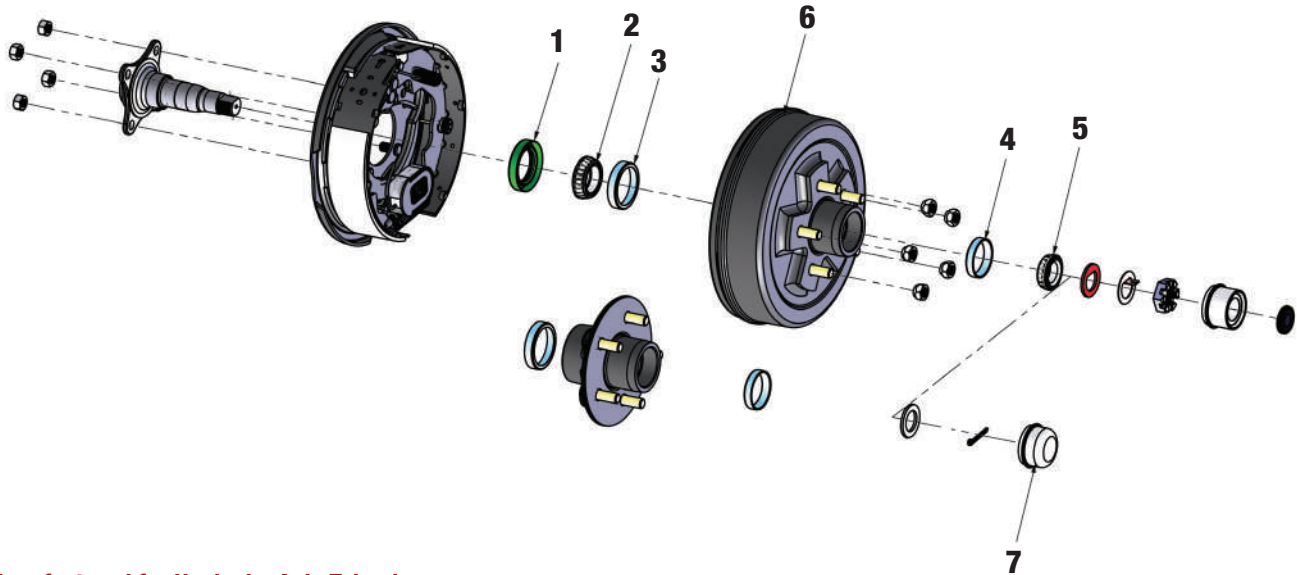


Manufactured for Husky by Axle Teknology

**REPLACES**

Ref.	NTP/STAG #	Husky Part #	Mfr./Axel Tek#	Dexter #	Description
	21-0108	30785	#KB10H-01	K23-312-00	Complete Brake Assembly LH Uni-Servo
	21-0109	30784	#KB10H-02	K23-313-00	Complete Brake Assembly RH Uni-Servo
1, 2	21-0063	30822	#KB10H-05-2	K71-267-00	Shoe/Lining Kit (Axle Set)

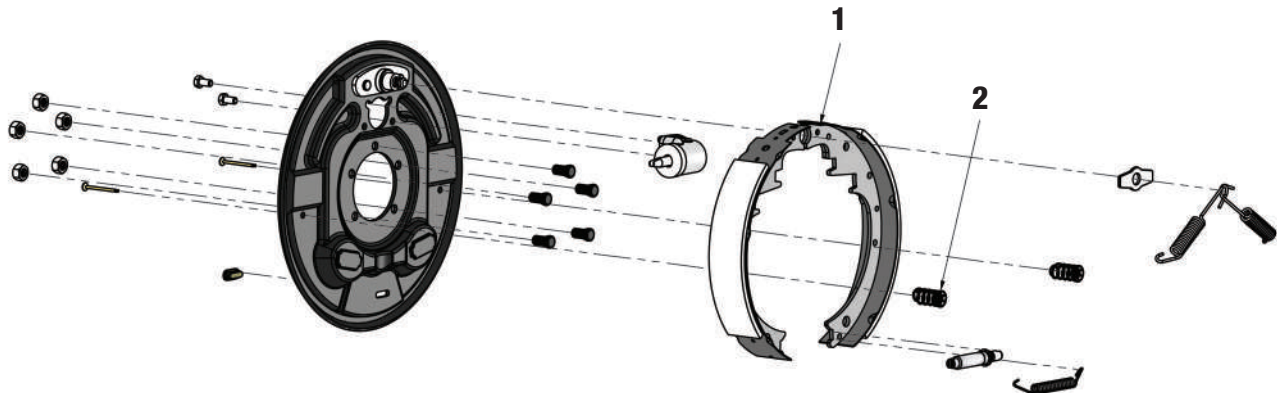
## QUALITY REPLACEMENT PARTS

**AXLE TEK, DEXTER - 10" X 2.25" Hubs-Drums & Idler Hubs, Electric/Hydraulic**


Manufactured for Husky by Axle Teknology

Ref.	NTP/STAG #	Husky Part #	REPLACES		Description
			Mfr./Axel Tek#	Dexter #	
1	21-0053	30828	#DL-172-03	K71-303-00	Grease Seal Std. Pkg/2
1	21-0054	95913	#DL172-10		Grease Seals., 1.875" ID, Sleeve of 10
2, 3	21-0082	30815	#LM68149/11	K71-390-00	Inner Bearing Cone & Cup L6811 / L68149
4, 5	21-0081	30812	#L44649/10	K71-306-00	Outer Bearing Cone & Cup L44610 / L44649
6	21-0085	30796	#KBD-545-17	008-247-05	Hub-Drum 5-4.5" BC Electric/Hydraulic
7	21-0050	31815	#DC-RP-2	K71-320-00	Rubber Lube Plug for 1.18" Cap Hole, Pkg/2

## QUALITY REPLACEMENT PARTS

**AXLE TEK, DEXTER - 12" X 2" Hydraulic Brakes 7000 lb.**


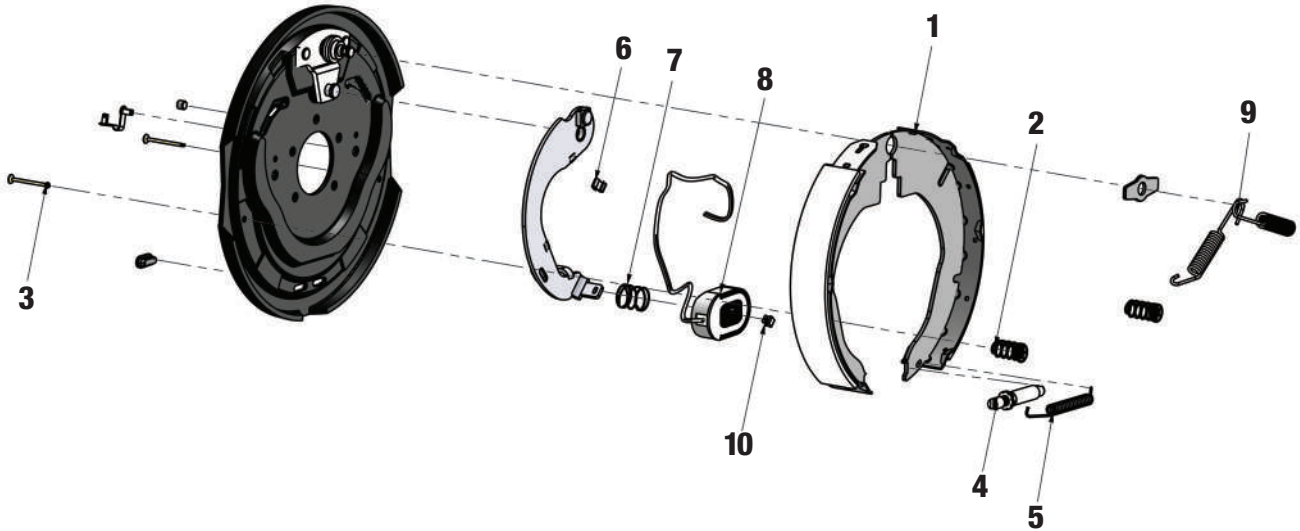
Manufactured for Husky by Axle Teknology

Ref.	NTP/STAG #	Husky Part #	REPLACES		Description
			Mfr./Axel Tek#	Dexter #	
	21-0072	30786	#KB12H-01	K23-338-00	Complete Brake Assembly LH Uni-Servo
	21-0073	30787	#KB12H-02	K23-339-00	Complete Brake Assembly RH Uni-Servo
1, 2	21-0111	30823	#KB12H-05-2	K71-269-00 & K71-270-00	Shoe/Lining Kit (Axle Set)

**QUALITY REPLACEMENT PARTS**

**AXLE TEK, DEXTER - 12" X 2" Electric Brakes 5200 lb., 6000 lb., 7000 lb.**

CSA Certified by Axle Teknology (CSA master contract #239634)

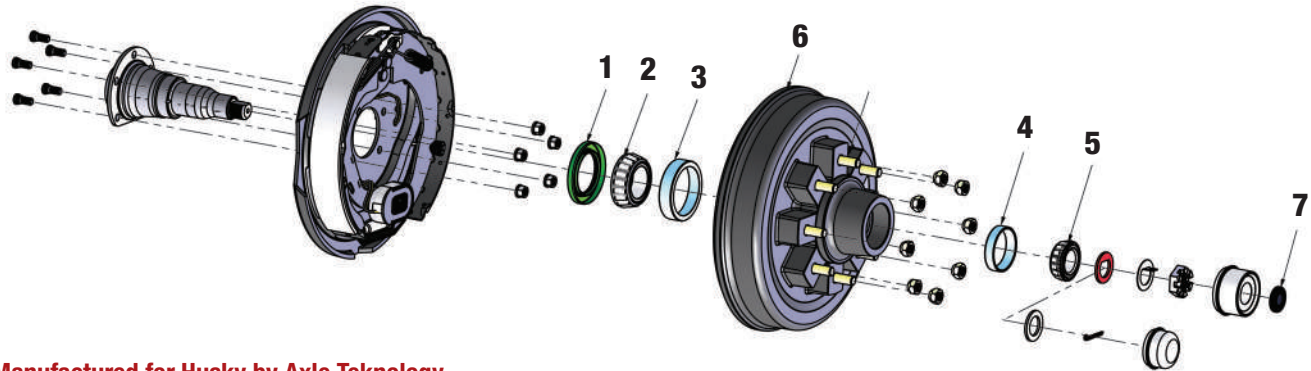


Manufactured for Husky by Axle Teknology

**REPLACES**

Ref.	NTP/STAG #	Husky Part #	Mfr./Axel Tek#	Dexter #	Description
<b>5200 lb. &amp; 6000 lb.</b>					
	21-0066	30799	#KB12E-03	K23-105-00	Complete Brake Assembly LH
	21-0093	30800	#KB12E-04	K23-106-00	Complete Brake Assembly RH
1, 2, 3	21-0110	30820	#KB12E-05	K71-048-00	Shoe/Lining Kit
4, 5	21-0080	30826	#KBE-324-00	K71-324-00	Adjusting Screw Kit
6, 7, 8	21-0067	30819	#KB12E-06	K71-105-00	Magnet Kit
2, 5, 7, 9	21-0114	30824	#KBE-363-00	K71-363-00	Spring Kit
2, 3	21-0113	30825	#KBE-353-00	5353	Hold-Down Kit (Axle Set)
10	21-0112	30830	#KBE-321-00	5121	Retainer Clip Pkg/10
<b>7000 lb.</b>					
	21-0064	30797	#KB12E-01	K23-180-00	Complete Brake Assembly LH
	21-0065	30798	#KB12E-02	K23-181-00	Complete Brake Assembly RH
1, 2, 3	21-0110	30820	#KB12E-05	K71-127-00	Shoe/Lining Kit
4, 5	21-0080	30826	#KBE-324-00	K71-324-00	Adjusting Screw Kit
6, 7, 8	21-0067	30819	#KB12E-06	K71-125-00	Magnet Kit
2, 5, 7, 9	21-0114	30824	#KBE-363-00	K71-363-00	Spring Kit
2, 3	21-0113	30825	#KBE-353-00	5353	Hold-Down Kit (Axle Set)
10	21-0112	30830	#KBE-321-00	5121	Retainer Clip Pkg/10

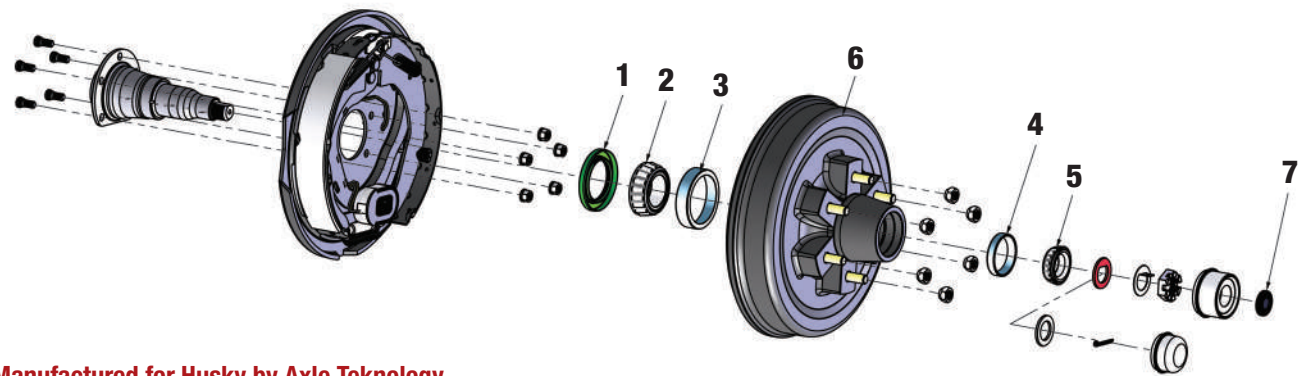
## QUALITY REPLACEMENT PARTS

**AXLE TEK, DEXTER - 12" X 2" Hubs-Drums & Idler Hubs,  
8 on 6.50 BC 6000 lb. & 7000 lb.**


Manufactured for Husky by Axle Teknology

Ref.	NTP/STAG #	Husky Part #	REPLACES		Description
			Mfr./Axel Tek#	Dexter #	
1	21-0056	30829	#DL-225-03	K71-305-00	Grease Seal Std. Pkg/2
2, 3	21-0106	30813	#25580/20	K71-308-00	Inner Bearing Cone & Cup 25520 / 25580
4, 5	21-0048	30811	#15123/245	K71-309-00	Outer Bearing Cone & Cup 15245 / 15123 6000 lb. (5-Spoke Demountable)
4, 5	21-0047	30808	#14125A/14276	K71-310-00	Outer Bearing Cone & Cup 14276 / 14125A 7000 lb. 8-Bolt
6	21-0087	30802	#KBD-865-17	008-219-04	Hub-Drum 8-6.50" BC 1/2" Studs 7000 lb.
7	21-0050	31815	#DC-RP-2	K71-320-00	Rubber Lube Plug FOR 1.18" Cap Hole, Pkg/2K

## QUALITY REPLACEMENT PARTS

**AXLE TEK, DEXTER - 12" X 2" Hubs-Drums & Idler Hubs,  
8 on 6.50 BC 5200 lb. & 6000 lb.**


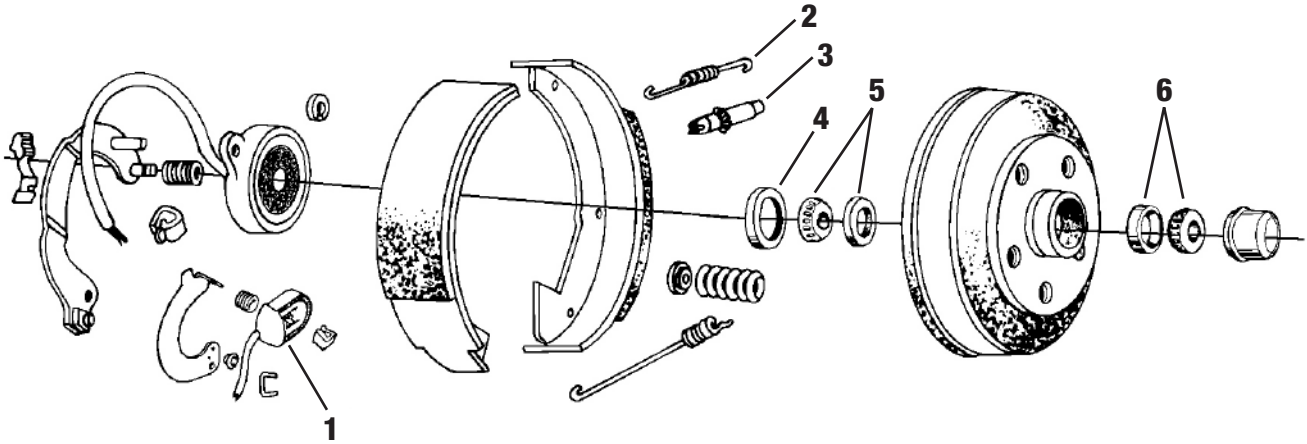
Manufactured for Husky by Axle Teknology

Ref.	NTP/STAG #	Husky Part #	REPLACES		Description
			Mfr./Axel Tek#	Dexter #	
1	21-0056	30829	#DL-225-03	K71-305-00	Grease Seal Std., 2.25" I.D. (1998-current) Pkg/2
1	21-0057	95914	#DL225-10		Grease Seals DL225, 2.25" I.D. (1998-current) Sleeve of 10
1	21-0107	31816	#DL-2125-2		Grease Seal DL2125, 2.125" I.D. (pre-1998) Pkg/2
1	21-0055	95922	#DL-2125		Grease Seals DL2125, 2.125" I.D. (pre-1998) Sleeve of 10
2, 3	21-0106	30813	#25580/20	K71-308-00	Inner Bearing Cone & Cup 25520 / 25580
4, 5	21-0097	30814	#LM67048/10	K71-307-00	Outer Bearing Cone & Cup LM67048 / LM67010 5200#
4, 5	21-0048	30811	#15123/245	K71-309-00	Outer Bearing Cone & Cup 15123 / 15245 6000 lb.
6	21-0086	30804	#KBD-655-17	008-201-09	Hub-Drum 6-5.50" BC 1/2" Studs 6000 lb. (requires #30811 bearing if used on 5200 lb. axle)
7	21-0050	31815	#DC-RP-2	K71-320-00	Rubber Lube Plug for 1.18" Cap Hole, Pkg/2



QUALITY REPLACEMENT PARTS

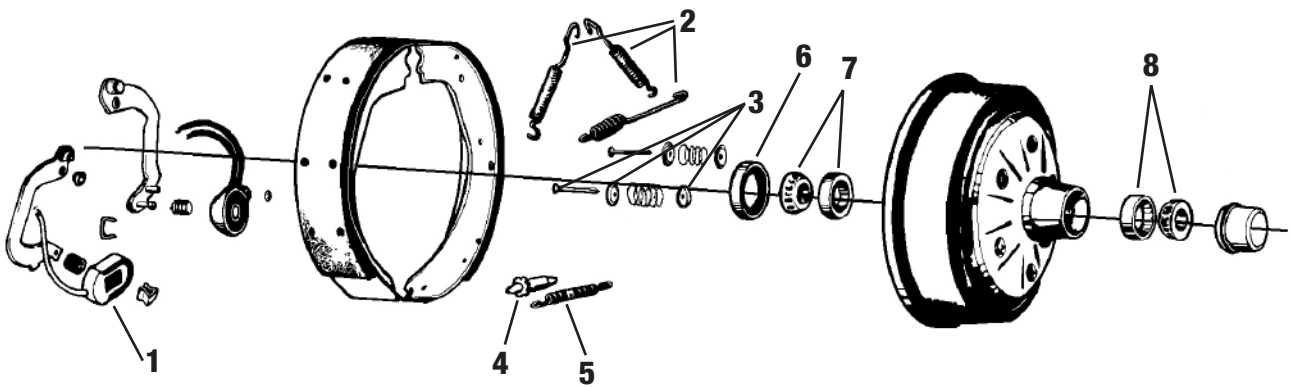
HAYES - 10" X 1.625"



Ref.	NTP/STAG #	Husky Part #	Mfr.#	Description
1	21-0060	30818	#KB10E-06	Magnet Kit (After mid 1987)
2, 3	21-0080	30826	#KBE-324-00	Adjusting Screw Kit
4	21-0053	30828	#DL-172-03	Grease Seal (Axle Set)
4	21-0054	95913	#DL172-10	Grease Seals DL172, Sleeve of 10
5	21-0097	30814	#LM67048/10	Inner Bearing Set
6	21-0081	30812	#L44649/10	Outer Bearing Set

QUALITY REPLACEMENT PARTS

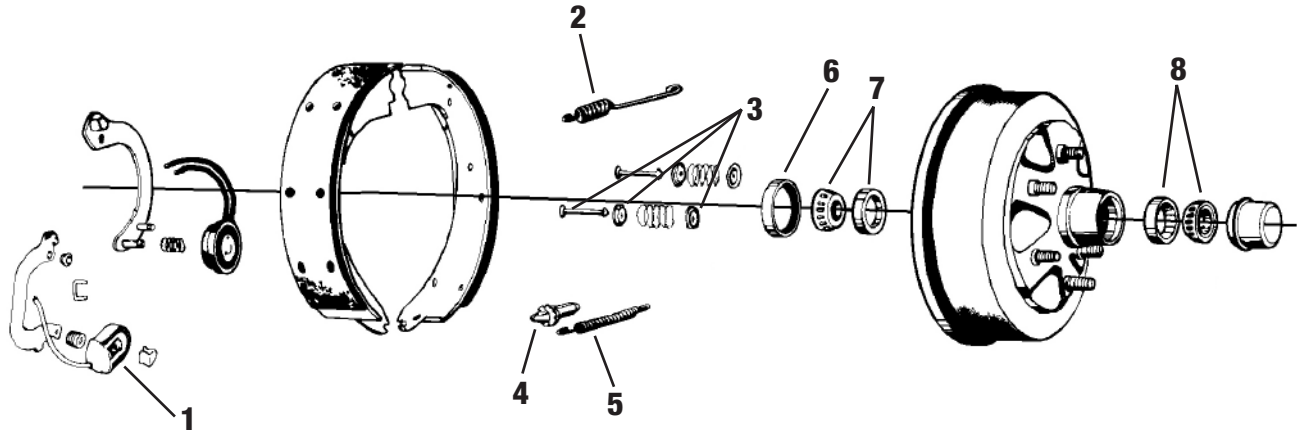
HAYES - 10" X 2.25"



Ref.	NTP/STAG #	Husky Part #	Mfr.#	Description
1	21-0060	30818	#KB10E-06	Magnet Kit (After mid 1987)
2	21-0114	30824	#KBE-363-00	Spring Kit
3	21-0113	30825	#KBE-353-00	Hold-Down Kit (Axle Set)
4, 5	21-0080	30826	#KBE-324-00	Adjusting Screw Kit
6	21-0053	30828	#DL-172-03	Grease Seal (Axle Set)
6	21-0054	95913	#DL172-10	Grease Seals DL172, Sleeve of 10
7	21-0082	30815	#LM68149/11	Inner Bearing Set
8	21-0081	30812	#L44649/10	Outer Bearing Set

**QUALITY REPLACEMENT PARTS**

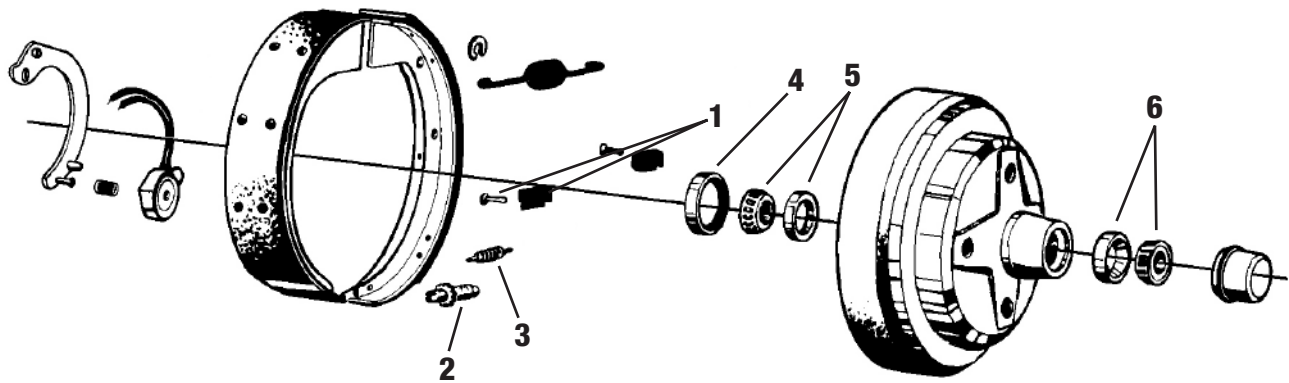
**HAYES - 12" X 2"**



Ref.	NTP/STAG #	Husky Part #	Mfr.#	Description
1	21-0067	30819	#KB12E-06	Magnet Kit (After mid 1987)
2	21-0114	30824	#KBE-363-00	Spring Kit
3	21-0113	30825	#KBE-353-00	Hold-Down Kit (Axle Set)
4, 5	21-0080	30826	#KBE-324-00	Adjusting Screw Kit
6	21-0056	30829	#DL-225-03	Grease Seal (Axle Set)
6	21-0057	95914	#DL225-10	Grease Seals DL172, Sleeve of 10
8	21-0106	30813	#25580/20	Inner Bearing Set
9	21-0097	30814	#LM67048/10	Outer Bearing Set

**QUALITY REPLACEMENT PARTS**

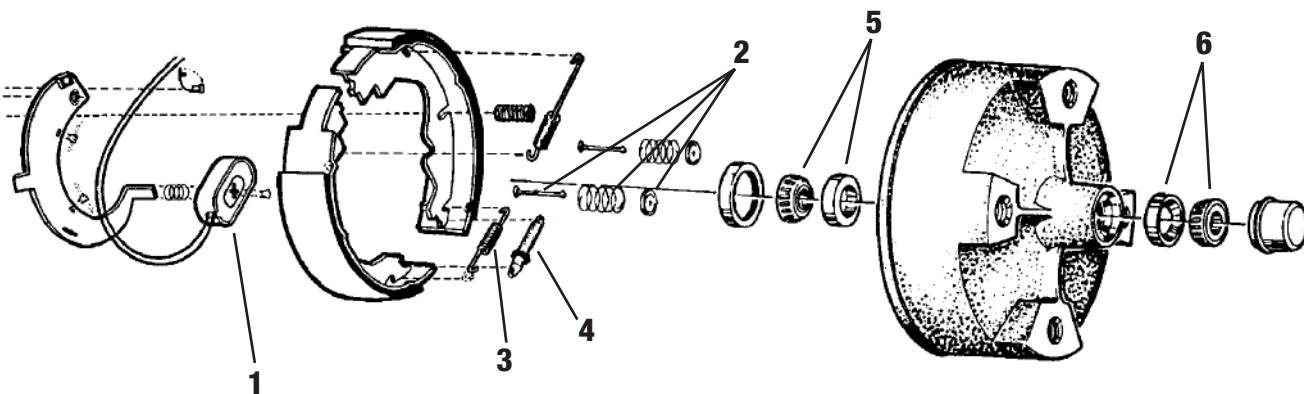
**HAYES - 10" X 2" Centerline**



Ref.	NTP/STAG #	Husky Part #	Mfr.#	Description
1	21-0113	30825	#KBE-353-00	Hold-Down Kit (Axle Set)
2, 3	21-0080	30826	#KBE-324-00	Adjusting Screw Kit
4	21-0056	30829	#DL-225-03	Grease Seal (Axle Set) 2.25" I.D.
4	21-0057	95914	#DL225-10	Grease Seals DL225, 2.25" I.D., Sleeve of 10
4	21-0107	31816	#DL-2125-2	Grease Seal (Axle Set) 2.125" I.D.
4	21-0055	95922	#DL-2125	Grease Seals DL2125, 2.125" I.D., Sleeve of 10
5	21-0106	30813	#25580/20	Inner Bearing Set
6	21-0097	30814	#LM67048/10	Outer Bearing Set

**QUALITY REPLACEMENT PARTS**

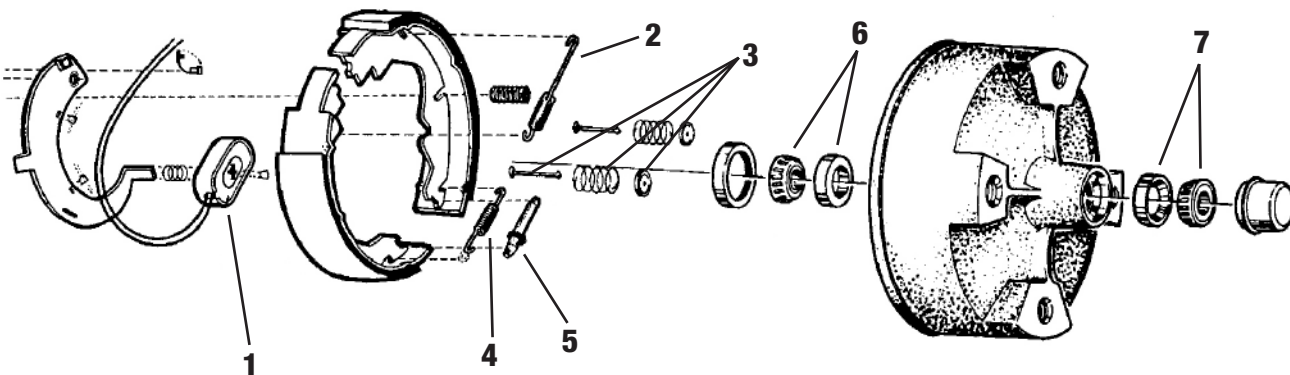
**AL-KO - 10" X 2.25"**



Ref.	NTP/STAG #	Husky Part #	Mfr.#	Description
1	21-0060	30818	#KB10E-06	Magnet Kit
2	21-0113	30825	#KBE-353-00	Hold-Down Kit (Axle Set)
3, 4	21-0080	30826	#KBE-324-00	Adjusting Screw Kit
5	21-0082	30815	#LM68149/11	Inner Bearing Set
6	21-0081	30812	#L44649/10	Outer Bearing Set

**QUALITY REPLACEMENT PARTS**

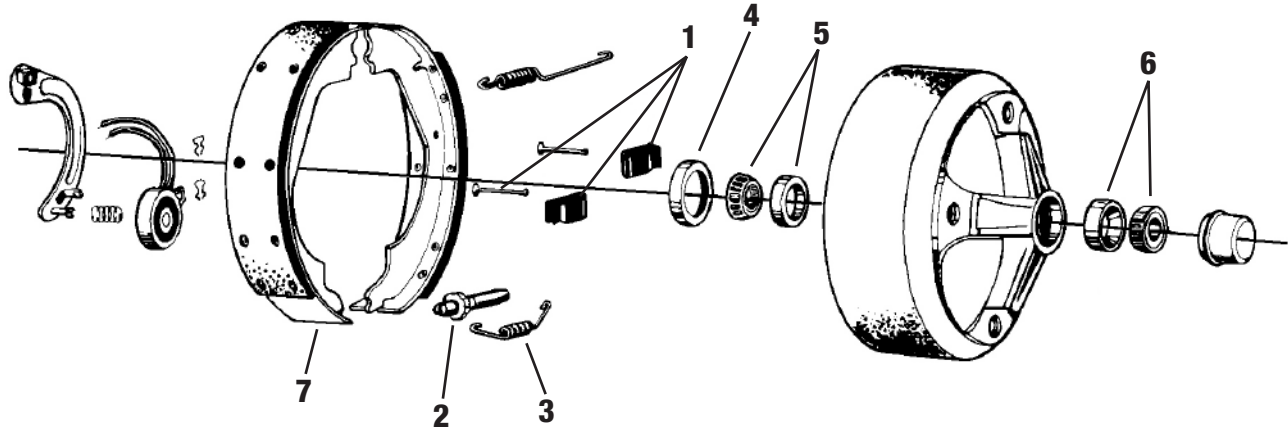
**AL-KO - 12" X 2"**



Ref.	NTP/STAG #	Husky Part #	Mfr.#	Description
1	21-0067	30819	#KB12E-06	Magnet Kit 6 & 7K
2	21-0114	30824	#KBE-363-00	Spring Kit
3	21-0113	30825	#KBE-353-00	Hold-Down Kit (Axle Set)
4, 5	21-0080	30826	#KBE-324-00	Adjusting Screw Kit
6	21-0106	30813	#25580/20	Inner Bearing Set
7	21-0097	30814	#LM67048/10	Outer Bearing Set

## QUALITY REPLACEMENT PARTS

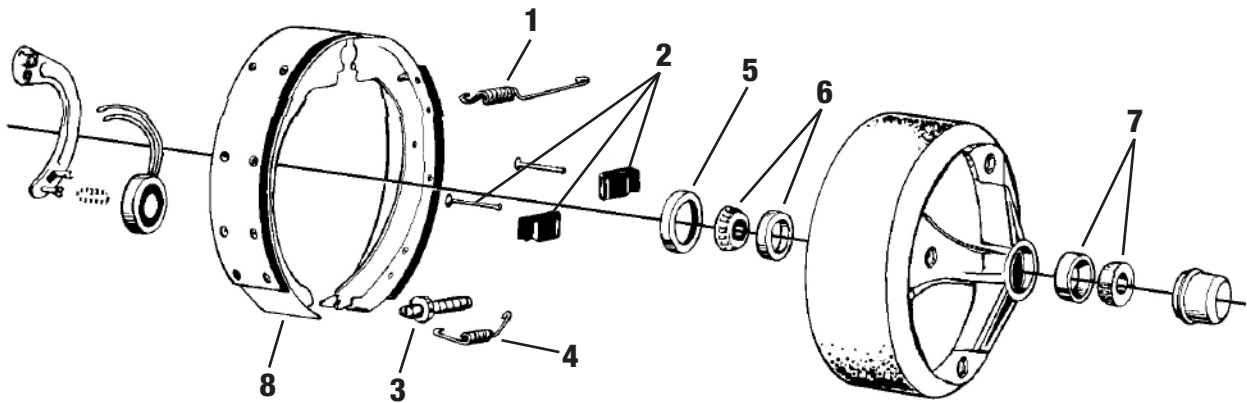
## FAYETTE - 10" X 2.25"



Ref.	NTP/STAG #	Husky Part #	Mfr.#	Description
1	21-0113	30825	#KBE-353-00	Hold-Down Kit (Axle Set)
2, 3	21-0080	30826	#KBE-324-00	Adjusting Screw Kit
4	21-0053	30828	#DL-172-03	Grease Seal (Axle Set)
4	21-0054	95913	#DL172-10	Grease Seals DL172, Sleeve of 10
5	21-0082	30815	#LM68149/11	Inner Bearing Set
6	21-0081	30812	#L44649/10	Outer Bearing Set
7	21-0092	30821	#KB10E-05	Shoe/Lining Kit

## QUALITY REPLACEMENT PARTS

## FAYETTE - 12" X 2"



Ref.	NTP/STAG #	Husky Part #	Mfr.#	Description
1	21-0114	30824	#KBE-363-00	Spring Kit
2	21-0113	30825	#KBE-353-00	Hold-Down Kit (Axle Set)
3, 4	21-0080	30826	#KBE-324-00	Adjusting Screw Kit
5	21-0056	30829	#DL-225-03	Grease Seal (Axle Set) 2.25" I.D.
5	21-0057	95914	#DL225-10	Grease Seals DL225, 2.25" I.D., Sleeve of 10
5	21-0107	31816	#DL-2125-2	Grease Seal (Axle Set) 2.125" I.D.
5	21-0055	95922	#DL-2125	Grease Seals DL2125, 2.125" I.D., Sleeve of 10
6	21-0106	30813	#25580/20	Inner Bearing Set
7	21-0097	30814	#LM67048/10	Outer Bearing Set
8	21-0110	30820	#KB12E-05	Shoe/Lining Kit



HUSKY

TOWING

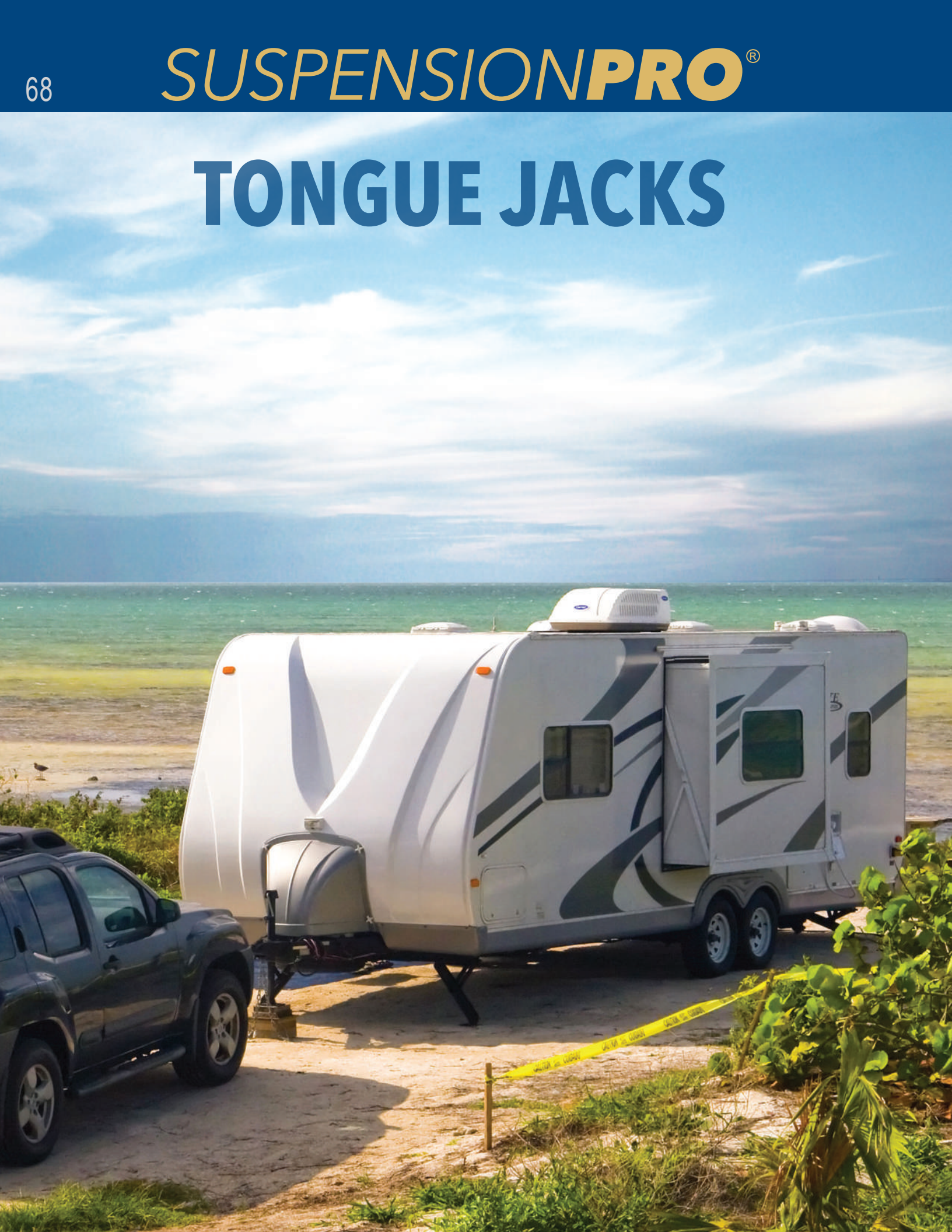


**HUSKY**<sup>®</sup>  
TOWING PRODUCTS

**RUGGED IS  
STANDARD EQUIPMENT.™**



# TONGUE JACKS





81199



81200



81201



88142

## ELECTRIC TONGUE JACKS

SuspensionPro Electric Tongue Jacks make setting up a weight distribution system easier than ever, replacing tedious hand cranking with the push of a button. They deliver an industry-leading duty cycle for a lifetime of reliable performance. They're fast, travel 6" up and 6" down in under 80 seconds. Exceptional efficiency is also built-in, with a respectably low current draw even under full load. Four feature-rich models are offered, for total lifting capacities of up to 3,500 pounds. For the best in all-around performance, go with the pro, SuspensionPro.

### SuspensionPro® features include:

- Exclusive "SmartStop" feature that prevents mechanical hard stops on end of stroke
- All SuspensionPro jack ratings are working load ratings, not just intermittent load
- All jacks, except the SP3000, have an adjustable drop-down foot
- The SP3000 has a removable foot that slides over the end of the inner tube

### SP2500 ELECTRIC TONGUE JACK

- 2,500 lb. lift capacity
- 2 1/4" jack diameter
- Full 18" stroke
- Travel speed 72 seconds
- UV resistant cover
- Water resistant
- Weather protected switches
- 3 multi-bulb worklights
- Durable powder coat finish
- Hardened steel gears
- Stainless steel fasteners
- 3/4" high-strength drive screw
- 12V operation
- Self-lubricating drive nut
- Internal automatic thermal protection
- Resettable circuit breaker
- Soldered electrical connections
- 16.5 amp current draw at full load

15-1464 81199 2,500 lbs

### SP3500 ELECTRIC TONGUE JACK

- 3,500 lb. lift capacity
- 2 1/4" jack diameter
- Full 18" stroke
- Travel speed 80 seconds
- UV resistant cover
- Water resistant
- Weather protected switches
- 3 multi-bulb worklights
- Durable powder coat finish
- Hardened steel gears
- Stainless steel fasteners
- 3/4" high-strength drive screw
- 12V operation
- Self-lubricating drive nut
- Internal automatic thermal protection
- Resettable circuit breaker
- Soldered electrical connections
- 23 amp current draw at full load

15-1467 81201 3,500 lbs

### SP3000 ELECTRIC TONGUE JACK

- 3,000 lb. lift capacity
- 2" jack diameter
- Full 18" stroke
- Travel speed 72 seconds
- UV resistant cover
- Water resistant
- Weather protected switches
- 3 multi-bulb worklights
- Durable powder coat finish
- Hardened steel gears
- Stainless steel fasteners
- 3/4" high-strength drive screw
- 12V operation
- Self-lubricating drive nut
- Internal automatic thermal protection
- Resettable circuit breaker
- Soldered electrical connections
- 20 amp current draw at full load

15-1466 81200 3,000 lbs

### SP3500 WHITE ELECTRIC TONGUE JACK

- 3,500 lb. lift capacity
- 2 1/4" jack diameter
- Full 18" stroke
- Travel speed 80 seconds
- UV resistant cover
- Water resistant
- Weather protected switches
- 3 multi-bulb worklights
- Durable powder coat finish
- Hardened steel gears
- Stainless steel fasteners
- 3/4" high-strength drive screw
- 12V operation
- Self-lubricating drive nut
- Internal automatic thermal protection
- Resettable circuit breaker
- Soldered electrical connections
- 23 amp current draw at full load

72-1112 88142 3,500 lbs, White

# POWER GENERATION

**INDEX**

- Battery Boxes 74
- Inverter Generator Display 74
- Inverter Generator Literature 74
- Inverter Generator Replacement Parts 72
- Parallel Kit 71
- PH 2200i Inverter Generator 72
- PH 2400 Inverter Generator 71
- PH 2400PRI/E Electronic Fuel Injection Inverter Generator 71
- PH 3300i Inverter Generator 72

**Reference**

- Inverter Generator Comparison Chart 73







Accessories Included: Oil Jug, Oil Drain Extension, Spare Spark Plug, Spark Plug Wrench, Screwdriver, 12V Battery Charge Cable, 2 Ignition Keys, 2 Remote Key Fobs, Spare 20A ATC Style Fuse, 1 USB Flash Drive with 3 Owner's Manuals in English, French and Spanish, and 3 Printed Quick Start Guides in English, French and Spanish

## PH2400Pri/E PARALLEL-READY INVERTER GENERATOR WITH ELECTRONIC FUEL INJECTION

Easier, quicker startups! Computer-controlled electronic ignition design; no carburetor or choke!

- Power output 2400W max/ 2300W rated @120V
- Convenient startup options: remote with 75' range, ignition key, or recoil
- Variable speed to maximize economy
- Performance adjusts automatically for varying altitudes
- Continuous run times: 6.3 hrs at 1/4 load, 4.5 hrs at 1/2 load, and 2.8 hrs at full load
- Parallel-ready (requires optional Parallel Kit #67164)
- Smart USB ports: 2 @ 1A or 1 @ 2A
- 12V/8.3A max DC
- 4.35 hp (125cc) engine
- Overload reset switch and overspeed protection
- Factory-installed wheel kit included for easy transport
- EPA, CARB, CETL, FCC, and IC compliant
- 1 yr (500hrs) residential warranty;  
6 month (250 hrs) commercial warranty

71-5292 66873 PH2400Pri/E Inverter Generator



Accessories Included: Oil Jug, Oil Drain Extension, Spare Spark Plug, Spark Plug Wrench, Screwdriver, 12V Battery Charge Cable, 2 Ignition Keys, Spare 20A ATC Style Fuse, 1 USB Flash Drive with 3 Owner's Manuals in English, French and Spanish, and 3 Printed Quick Start Guides in English, French and Spanish

## PH2400Pi PARALLEL-READY INVERTER GENERATOR

- Power output 2400W max/ 2300W rated @120V
- Electric and recoil start
- Variable speed to maximize economy
- Smart USB ports: 2 @ 1A or 1 @ 2A
- Parallel-ready (requires optional Parallel Kit #67164)
- 12V/8.3A max DC
- 4.35 hp (125cc) engine
- Overload reset switch and overspeed protection
- Convenient fuel primer bulb
- External circuit breaker on control panel
- Factory-installed wheel kit included for easy transport
- EPA, CARB, and CETL compliant
- 1 yr (500hrs) residential warranty;  
6 month (250 hrs) commercial warranty

72-0678 67215 PH2400Pi Inverter Generator

## PARALLEL-READY BOOST YOUR POWER!

Use this optional parallel kit to combine the power output of two same-model Powerhouse PH2400Pri/E or PH2400Pi generators and boost output up to 4400W. Generators and parallel kit sold separately. Approved for both the USA and Canada.



72-0927 67164 Parallel Kit for use with two same-model PH2400Pri/E or two same-model PH2400Pi gen.



30A Generator Adapter Included

Accessories Included: 30A Generator Adapter, Oil Jug, Oil Drain Extension, Spare Spark Plug, Spark Plug Wrench, Screwdriver, 12V Battery Charge Cable, 2 Ignition Keys, Spare 20A ATC Style Fuse, 3 Owner's Manuals in English, French and Spanish, and 3 Quick Start Guides in English, French and Spanish

Handle extends out for easy maneuvering by one person

## PH3300i INVERTER GENERATOR

- Power output 3300W max/ 3200W rated @120V
- Electric and recoil start
- Variable speed to maximize economy
- Smart USB ports: 2 @ 1A or 1 @ 2A
- Will operate 13,500 BTU RV air conditioner
- Powerful 6.4 hp (27cc) engine
- Fuel gauge
- Hour meter
- One 5-20R 20 amp duplex receptacle and one L5-30R 30 amp twist-lock receptacle
- Overload reset switch and overspeed protection
- External circuit breaker on control panel
- Factory-installed wheels (2 w/brake, 2 swivel) for easy transport
- Padded folding handle
- 12V/8.3A max DC
- EPA, CARB, and CSA compliant
- 1 yr (500hrs) residential warranty; 6 month (250 hrs) commercial warranty

72-0679 67226 PH3300i Inverter Generator



## PH2200i INVERTER GENERATOR

- Recoil start
- 12V/8.3A max DC
- Variable speed to maximize economy
- Smart USB ports: 2 @ 1A or 1 @ 2A
- EPA, CARB, and CSA compliant
- 1 yr (500hrs) residential warranty; 6 month (250 hrs) commercial warranty

71-5999 68675 PH2200i Inverter Generator

## MAINTENANCE ACCESSORIES

### PH2200i

Fuel Cap	71-8547	69784
Fuel Strainer	48-0264	69411
Fuel Filter	71-5302	67184
Air Filter	48-0111	69800
Spark Plug A7RTC	71-8549	69786



### PH2400Pri/E

Fuel Cap	48-0310	69429
Fuel Strainer	48-0264	69411
Fuel Filter	19-4182	67112
Air Filter	48-0125	69425
Spark Plug A7RTC	71-8549	69786
Battery 12V	62-1287	6QF5



### PH2400Pi

Fuel Cap	48-0310	69429
Fuel Strainer	48-0264	69411
Fuel Filter	71-5302	67184
Air Filter	48-0111	69800
Spark Plug A7RTC	71-8549	69786
Battery 12V	62-1287	6QF5
Battery Li-Ion	71-5311	67430



### PH3300i

Fuel Cap	48-0522	62650
Fuel Strainer	48-0397	60556
Fuel Filter	71-5302	67184
Air Filter	48-0117	69461
Spark Plug F7RTC	48-0119	69537
Battery 12V	03-1885	PTX9BSFS
Battery Li-Ion	71-5311	67430





FEATURE	PH2200i	PH2400Pi	PH2400Pri/E	PH3300i
Automatic Low Oil Shutdown	Yes	Yes	Yes	Yes
Certifications	EPA, CSA, CARB	CETL, EPA, CARB	CETL, EPA, CARB, FCC, IC	CSA, EPA, CARB
Choke	Manual	Manual	N/A	Manual
Continuous Run Time (1/4 Load)	7.8 hrs	7.2 hrs	6.3 hrs	16.6 hrs
Continuous Run Time (1/2 Load)	5.7 hrs	4.8 hrs	4.5 hrs	10.9 hrs
Continuous Run Time (Full Load)	3.4 hrs	3.1 hrs	2.8 hrs	7.3 hrs
DC Output	12V/8.3A	12V/8.3A	12V/8.3A	12V 8.3A
Displacement	125cc	125cc	125cc	270cc
Electric Circuit Breaker	Inverter controlled and panel mounted	Inverter controlled and panel mounted	Inverter controlled and panel mounted	Inverter controlled and panel mounted
Engine Type	Single cylinder, 4-stroke OHC air-cooled, gasoline	Single cylinder, 4-stroke OHC air-cooled, gasoline	Single cylinder, 4-stroke OHC air-cooled, gasoline	Single cylinder, 4-stroke OHV air-cooled, gasoline
Fuel Economy Switch	Yes	No switch (automatic function)	No switch (automatic function)	No switch (automatic function)
Fuel Gauge	No	No	Digital	Yes
Fuel Tank Capacity	1.4 gal (5.3 liters)	1.3 gal (4.9 liters)	1.2 gal (4.5 liters)	4.34 gal (16.4 liters)
Fuel Type	Unleaded gasoline	Unleaded gasoline	Unleaded gasoline	Unleaded gasoline
Generator Dimensions	19.1"H x 11.3"W x 21.3"D (485mm H x 287mm W x 541mm D)	19.5"H x 12"W x 22"D (495mm H x 305mm W x 559mm D)	19.5"H x 12"W x 22"D (495mm H x 305mm W x 559mm D)	21.25"H x 18.75"W x 23.75"D (540mm H x 476mm W x 603mm D)
Horse Power	4.35hp	4.35hp	4.35hp	6.4hp
Hour Meter	No	No	Digital	Yes
Ignition System	CDI	CDI	Computer-controlled electronic	CDI
Inverter Equipped	Yes	Yes	Yes	Yes
Max Current	18.3A	20.0A	20.0A	27.5A
Max Current in Parallel Mode	N/A	36.7A	36.7A	N/A
Max Engine Speed	5000rpm	5000rpm	5000rpm	3600rpm
Max Output	2.2kw	2.4kw	2.4kw	3.3kw
Max Output in Parallel Mode	N/A	4.4kw	4.4kw	N/A
Neutral	Floating	Floating	Floating	Floating
Noise Level (No Load/Full Load)	60/73 db @ 23ft (7m)	61.2/70.9 db @ 23ft (7m)	61/72 db @ 23ft (7m)	63.3/73.4 db @ 23ft (7m)
Oil Capacity	15.6fl oz (461ml)	15.6fl oz (461ml)	15.6fl oz (461ml)	33.8fl oz (1.0 liter)
Oil Type	0W-30, 0W-40 below 32°F 10W-30, above 32°F	0W-30, 0W-40 below 32°F 10W-30, above 32°F	0W-30, 0W-40 below 32°F 10W-30, above 32°F	0W-30, 0W-40 below 32°F 10W-30, above 32°F
Overload Reset Switch	No	Yes	Yes	Yes
Overspeed Protection	Yes	Yes	Yes	Yes
Parallel Ready	No	Yes	Yes	No
Phase	Single	Single	Single	Single
Primer Bulb	Yes	Yes	No	No
Rated Current	17.5A	19.2A	19.2A	26.7A
Rated Current in Parallel Mode	N/A	35.8A	35.8A	N/A
Rated Frequency	60hz	60hz	60hz	60hz
Rated Output	2.1kw	2.3kw	2.3kw	3.2kw
Rated Output in Parallel Mode	N/A	4.3kw	4.3kw	N/A
Rated Voltage	120V	120V	120V	120V
Receptacles	120V, 20A 5-20R Duplex USB, 1x @ 2.0A or 2x @ 1.0A	120V, 20A 5-20R Duplex USB, 1x @ 2.0A or 2x @ 1.0A	120V, 20A 5-20R Duplex USB, 1x @ 2.0A or 2x @ 1.0A	120V, 20A 5-20R Duplex 120V, 30A L5-30R (Twist Lock) USB, 1x @ 2.0A or 2x @ 1.0A
Spark Plug	A7RTC	A7RTC	A7RTC	F7RTC
Starting System	Recoil	Electric and recoil	Remote, electric and recoil	Electric and recoil
Structure	Enclosed	Enclosed	Enclosed	Enclosed
Warranty (Commercial)	6 mos	6 mos	6 mos (250 hrs)	6 mos (250 hrs)
Warranty (Residential)	1 yr	1 yr	1 yr (500 hrs)	1 yr (500 hrs)
Weight (Dry)-Gross	68.7lb (31kg)	82.75lb (37.5kg)	88.4lb (40.1kg)	148.6lb (67.4)
Weight (Dry)-Net	63.5lb (29kg)	73.3lb (33.2kg)	78.9lb (35.8kg)	134.1lb (60.8kg)
Wheels	N/A	Included	Included	2 fixed with brakes, 2 swivel

## BATTERY BOXES

Heavy-duty "strap-style" battery boxes are vented and made of lightweight, high-strength polypropylene to withstand impact and battery acid. Our battery boxes meet USCG specs. Each box comes complete with lid, strap and mounting brackets. Available in 3 popular sizes.

19-3017	13034	Group 24 Battery Box 11.5"L x 8"W x 8.5"H
19-3018	13035	Group 27 Battery Box 14"L x 8"W x 8.5"H
19-3019	13228	Group GC-2 Battery Box 11.5"L x 8"W x 9.5"H

## BATTERY HOLD-DOWN STRAPS

Straps include a woven polypropylene strap with firm grip buckle plus a hardware kit of two polypropylene tie-down brackets and stainless steel screws.

19-3185	12024	42" Strap Kit
19-3183	11796	54" Strap Kit



## GENERATOR DISPLAY

- 1.5" Sq. tubing construction
- Full walk-around view
- Header graphics on both sides
- Side-mounted literature rack
- Includes 20 flyers of one model

81-0946	90339	Generator display
---------	-------	-------------------

Top shelf holds one of the following models: PH2400Pi, PH2400Pri/E or PH2200i;  
Bottom shelf holds one of the following models: PH3300i, PH2400Pri/E, PH2400Pi or PH2200i



## GENERATOR LITERATURE 20PK

(one model below)

POWS1	PH2400Pi Flyer
POWS2	PH2400Pri/E Flyer
POWS3	PH3300i Flyer
POWS5	PH2200i Flyer



Front Copy

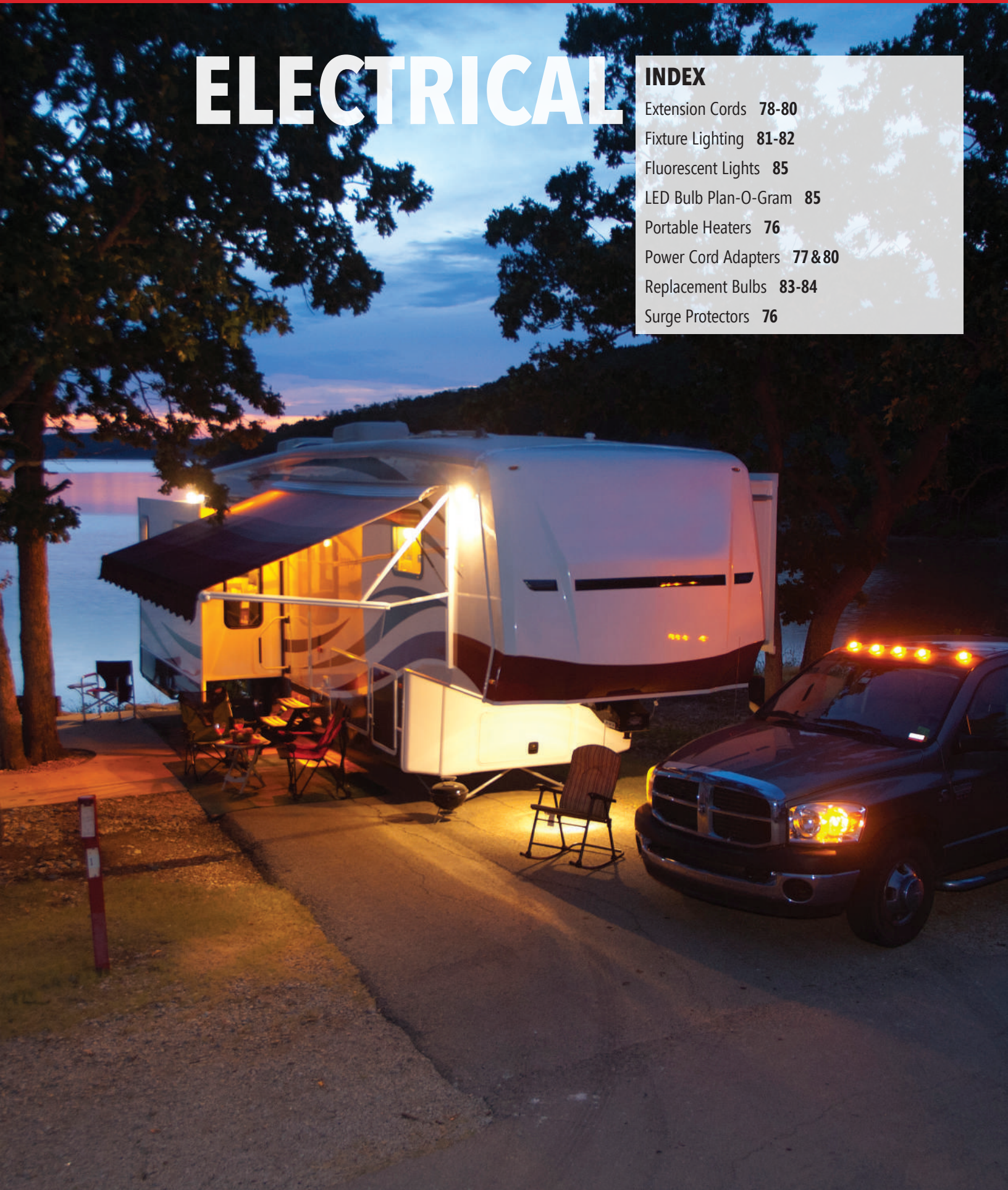


Back Copy

# ELECTRICAL

## INDEX

- Extension Cords 78-80
- Fixture Lighting 81-82
- Fluorescent Lights 85
- LED Bulb Plan-O-Gram 85
- Portable Heaters 76
- Power Cord Adapters 77 & 80
- Replacement Bulbs 83-84
- Surge Protectors 76





Tested to UL  
Specifications

## 30A & 50A SURGE PROTECTORS

- Protects valuable downstream electronics and RV appliances
- Absorbs and diverts high voltage spikes and surges
- Has the highest surge absorption capacity (Joules rating) among portable RV surge protectors
- Detects and alerts of low voltage and improper wiring conditions
- Comes with multi lightning strike protection which diverts the strike energy to ground

### 30A 120V SURGE PROTECTOR

03-8106 19658 30A 120V Surge Protector

- Operating Current: 30A
- Operating Voltage: 120V
- Operating Wattage: 3600W
- Frequency: 60Hz
- Plug/Receptacle Type: TT-30P / TT-30R
- Low Voltage Detection: Appx.  $\leq 106V$
- 3600 Joules of Power Suppression
- 3 Modes of Protection: Hot, Ground, & Neutral
- 1 Year Limited Liability Warranty

### 50A 240V SURGE PROTECTOR

31-8107 19666 50A 240V Surge Protector

- Operating Current: 50A
- Operating Voltage: 240V (120V per line)
- Operating Wattage: 12,000W
- Frequency: 60Hz
- Plug/Receptacle Type: 14-50P / 14-50R
- Low Voltage Detection: Appx.  $\leq 106V$  (per line)
- 7200 Joules of Power Suppression
- 4 Modes of Protection: Hot L1, Hot L2, Ground, & Neutral
- 1 Year Limited Liability Warranty

## PORTABLE HEATERS

- Variable thermostat
- Switch settings: off, fan only, low heat and high heat
- Rating: 1500W / 750W
- Tip-over switch works in all directions
- Lightweight
- 120VAC operating voltage
- CETL approved

08-0018 64408 Coil Heater  
08-0019 64409 Ceramic Heater



**COIL HEATER**  
10.375" H



**CERAMIC HEATER**  
7.5" H





**30A RV TWIST LOCK ADAPTER**  
19-3724 14398 L5-30 x 30A Adapter



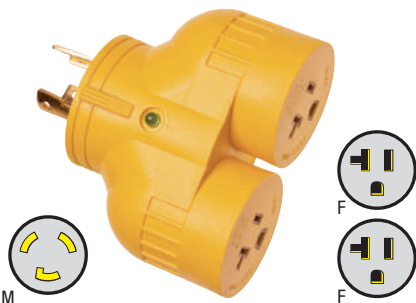
**30A RV TWIST LOCK ADAPTER**  
19-3353 11827 L5-30 x 5-20 Adapter



**30A EASY GRIP ROUND ADAPTER**  
Made of durable UV protected PVC with solid brass contacts. Bulk.  
19-3335 14018 30A F-50A M  
19-1138 14018C 30A F-50A M CSA



**50A EASY GRIP ROUND ADAPTER**  
Made of durable UV protected PVC with solid brass contacts. Bulk.  
19-3334 14014 50A F-30A M  
19-1003 14014C 50A F-30A M CSA



**30A DUAL TWIST LOCK ADAPTER**  
30A dual twist adapter.  
• Green LED indicates power  
19-3354 11828 L5-30 M - (2) 5-20 F



**125V 15A TEMPORARY ADAPTER**  
RV round plug. Easy grip handle.  
19-2805 14058C 15A F-30A M CSA Bulk



**125V 30A TEMPORARY ADAPTER**  
RV round plug. Easy grip handle.  
19-3722 13218 30A F-15A M CSA Cd/1  
19-3336 13333 30A F-15A M CSA Bulk



**125V 15A TEMPORARY ADAPTER**  
Triangular replacement adapter.  
19-2166 14053C 15A F-30A M CSA  
19-2405 14054C 15A F-30A M CSA Bulk



**125V 30A TEMPORARY ADAPTER**  
Triangular replacement adapter.  
19-3348 13993 30A F-15A M CSA Cd/1  
19-3339 13995 30A F-15A M CSA Bulk



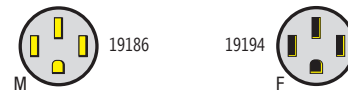
**30A 90° TEMPORARY ADAPTER**  
90 degree angle RV plug.  
19-3352 14081 30A F-15A M  
19-3723 14082 30A F-15A M Bulk  
19-4332 14081C 30A F-15A M CSA  
19-4497 14082C 30A F-15A M CSA Bulk



**REPLACEMENT RECEPTACLE & PLUG WITH FOLDING HANDLES 30A**

- Used for creating custom extension cords and adapters
- Yellow grasp handles allow for easier plug removal and night visibility
- Constructed of high impact plastic and solid brass contacts
- cUL approved

19-3359 18203 30A Male Cord End  
19-3364 18206 30A Female Cord End

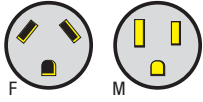


**50A**

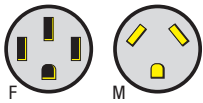
- Used for creating custom extension cords and adapters
- Yellow grasp handles allow for easier plug removal and night visibility
- Constructed of high impact plastic and solid brass contacts
- cUL approved

19-3358 19186 50A Male Cord End  
19-3725 19194 50A Female Cord End

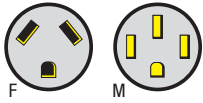
*Products with a CSA or cUL designation are certified for sale in Canada.*



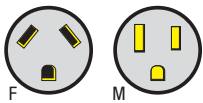
14366



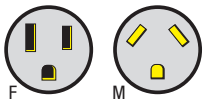
14372



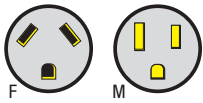
14368



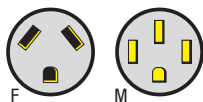
14245



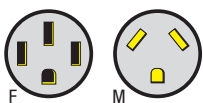
14362C



14365C



14367C



14371C

## PREMIUM SERIES PIGTAIL ADAPTERS

- Sturdy pull-handle is designed for easy retrieval
- Pull-handle lays flat against plug
- Outlet covers can be fully closed over plug during use
- High-visibility yellow
- Constructed of durable PVC with solid brass contacts
- Not UL listed

## Premium Series FLAT WIRE PIGTAIL ADAPTERS

Flexible flat bonded 10/3 ga. wire. Packaged; Yellow/Black

19-3313	14366	30A F-15A M, 12"
19-3324	14368	30A F-50A M, 18"
19-3321	14372	50A F-30A M, 18" CSA

## Premium Series TEMPORARY PIGTAIL ADAPTERS

Packaged; Yellow/Black

19-3720	14245	30A F-15A M, 9"
19-4543	14362C	15A F-30A M, 18" CSA
19-4544	14365C	30A F-15A M, 18" CSA
19-4545	14367C	30A F-50A M, 18" CSA
19-4546	14371C	50A F-30A M, 18" CSA

Products with a CSA or cUL designation are certified for sale in Canada.



## ECONOMY SERIES PIGTAIL ADAPTERS

- Made of durable PVC with solid brass contacts
- Black cord
- Do not have a handle and are only available in bulk.
- Easy grip on both ends
- Manufactured of flexible flat bonded 10/3 gauge wire.
- Not UL listed

## Economy Series FLAT WIRE PIGTAIL ADAPTERS

Bulk; Black

19-3333	14243	30A F-50A M, 18"
19-3308	14244	50A F-30A M, 18"
19-3719	14246	30A F-15A M, 12"

## Economy Series TEMPORARY PIGTAIL ADAPTERS

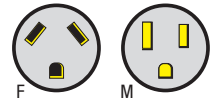
Bulk; Black

19-4498	14239C	15A F-30A M, 18" CSA
19-4499	14240C	30A F-15A M, 18" CSA
19-4539	14241C	30A F-50A M, 18" CSA
19-4542	14242C	50A F-30A M, 18" CSA
19-3329	14370	30A F-15A M, 9"

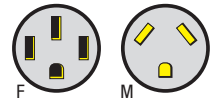
Products with a CSA or cUL designation are certified for sale in Canada.



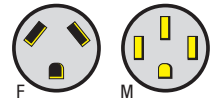
14246



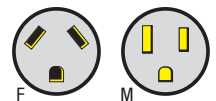
14244



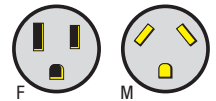
14243



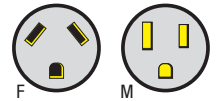
14370



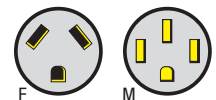
14239C



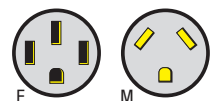
14240C



14241C



14242C





### PREMIUM SERIES EXTENSION CORDS

- Sturdy pull-handle is designed for easy retrieval
- Pull-handle lays flat against plug
- Outlet covers can be fully closed over plug during use
- High-visibility yellow; constructed of durable PVC with solid brass contacts

19-3314	11533	Premium 30A, 25ft. w/handle
19-3316	11534	Premium 30A, 50ft. w/handle
19-3317	11535	Premium 50A, 30ft. w/handle

### EXTENSION CORDS

Feature molded male plug on one end and molded female plug on the other

19-3311	14248	30A-30A, 25ft.
19-3312	14249	30A-30A, 50ft.
19-0835	14251	50A-50A, 30ft. CSA



### STRIPPED POWER CORDS

Feature molded male plug on one end and stripped other end

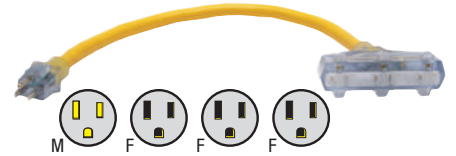
19-3307	14247	30A M-Stripped, 25ft.
19-3332	14250	50A M-Stripped, 25 ft.



### GENERATOR ADAPTER

Enables you to connect a 30A 120V RV extension cord to your generator's twist-lock L5-30 power outage receptacle.

19-3356	14977	L5-30 M - 30A F, 12"
---------	-------	----------------------



### GENERATOR POWER BLOCK

- Adapts one 5-15 plug to three lighted 5-15 receptacles
- Lighted ends confirm power

19-3327	17360	L5-15 M (3) - 5-15 F
---------	-------	----------------------



### PREMIUM SERIES STRIPPED TEMPORARY 18" PIGTAILS

- Made of durable PVC with pull-handle
- Solid brass contacts; Not UL listed

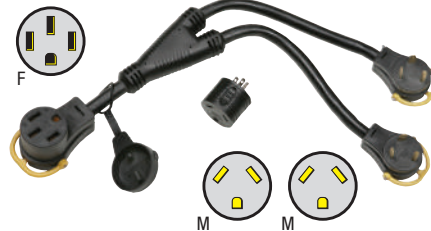
19-3303	14363	30A F-Stripped, 18"
19-3319	14369	30A M-Stripped, 18"



### STRIPPED TEMPORARY 18" PIGTAILS

- Made of durable PVC
- Solid brass contacts; Not UL listed

19-3304	14237	30A F-Stripped, 18"
19-3306	14238	30A M-Stripped, 18"



### MULTI-MAX ADAPTER KIT

- Two 17" 30A cords attached to one 6" 50A cord
- Uses two 120V/30A circuits and one 30A-20A adapter (included) to provide 240V/50A of service
- Use a 15A-30A adapter and one 30A cord to hook a 50A RV service cord to a 120V outlet at home

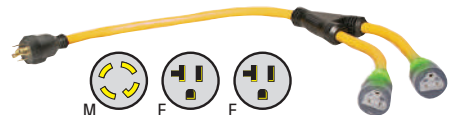
19-3318	17341	Multi-Max Adapter
---------	-------	-------------------



### GENERATOR Y-ADAPTER

Adapts one locking 120V/30A plug to two lighted 5-20 receptacles

19-3357	17361	L5-30 M (2) - 5-20 F
---------	-------	----------------------



### GENERATOR Y-ADAPTER

Adapter L14-30P adapts one locking 120V/30A plug to two lighted 5-20 receptacles

19-3355	17362	L14-30 M (2) - 5-20 F
---------	-------	-----------------------

## UNIVERSAL PORCH/UTILITY LIGHTS

- Illuminate the surrounding area to improve security and visibility
- Surface mount lights with an optional rocker switch for power
- Black or white base with clear or amber snap-in lens
- Rectangular lights use replacement bulb #1003 and are 5.75" L x 3.5" W
- Oval shaped lights use replacement bulb #1141 and are 6.4" L x 4.2" W
- Replacement Lens Dimensions: 5.25" L x 2.5" W

### Rectangle Lights:

18-0845	20672	LED, Bright White, Clear Lens, White, w/o Switch
18-0860	20673	LED Bright White, Clear Lens, White, w/ Switch
18-2694	20674	LED, Bright White, Amber Lens, White, w/o Switch *
18-2695	20675	LED, Bright White, Amber Lens, White, w/Switch *
18-2696	20676	LED Bright White, Clear Lens, Black, w/o Switch *
18-2697	20677	LED, Bright White, Clear Lens, Black, w/Switch *

18-0780	18111	Incandescent, White, Amber Lens, w/Switch
18-0763	18104	Incandescent, White, Clear Lens, w/Switch
18-0779	18109	Incandescent, White, Amber Lens
18-0759	18102	Incandescent, White, Clear Lens
18-0839	51308	Incandescent, Black, Clear Lens, w/Switch
18-0838	51309	Incandescent, Black, Clear Lens, w/o Switch

### Replacement Lenses:

18-0778	18107	Lens, Amber
18-0777	18106	Lens, Clear

### Oval Lights:

18-2698	20678	LED, Bright White, Clear Lens, White, w/o Switch *
18-2699	20679	LED, Bright White, Clear Lens, White, w/Switch *
18-2700	20680	LED, Bright White, Clear Lens, Black, w/o Switch *
18-2701	20681	LED, Bright White, Clear Lens, Black, w/Switch *

18-0796	51251	Incandescent, Clear Lens, White, w/o Switch
18-0836	51252	Incandescent, Clear Lens, White, w/Switch

### Replacement Lenses:

18-0837	51299	Lens Only, Clear
---------	-------	------------------

## SCARE/PORCH LIGHTS

- Double illumination for enhanced security lighting
- Cost-efficient 18 LED configuration produces 2.7 W/215 lumens
- Durable white stainless steel housing with clear acrylic lens

18-1748	16193	Incandescent Scare Light w/Clear Lens
18-0416	10705	Incandescent Scare Light w/Clear Lens, Bulk

## DIMMABLE LED EURO-STYLE LIGHTS

- Offer a sleek single or double design
- Sliding switch adds convenience of light output control
- Features on/dim/off settings
- Uses replacement bulb #1141
- Single light dimensions: 8" x 4.75", requires mounting screws (not included)
- Double Light dimensions: 11" x 4.75" requires mounting screws (not included)

### Single Light:

18-0930	51265	LED, Bright White, White Lens
18-0931	51266	LED, Bright White, Optic Lens

### Double Light:

18-0935	51267	LED, Bright White, White Lens
18-0936	51268	LED, Bright White, Optic Lens



Limited 1 year warranty on Light fixtures



18122



20669



20670



20668



20667



11824



11825

## EURO-STYLE LIGHTS

- Offer a sleek single or double design
- Colonial or white base with squeeze-to-remove white or optic lens
- Single lights offer a 2-position switch (off/on)
- Double lights offer 3-position switch (off/1 light/2 light)
- Uses replacement bulb #1141
- Single light dimensions: 8" x 4.75", requires 4 mounting screws (not included)
- Double Light dimensions: 11" x 4.75" requires 6 mounting screws (not included)

### Single Light:

18-0782	18122	Incandescent, Optic Lens, White
18-0781	18121	Incandescent, White Lens, White
18-0842	20669	LED, Bright White, Optic Lens
18-0900	20725	LED, Bright White, White Lens
18-0861	20711	LED, Soft White, Optic
18-0863	20713	LED, Soft White, White Lens

### Double Light:

18-0784	18124	Incandescent, Optic Lens, White
18-0783	18123	Incandescent, White Lens, White
18-0641	18015	Incandescent, Optic Lens, Colonial White
18-0635	17926	Incandescent, White Lens, Colonial White
18-0843	20670	LED, Optic Lens, BW
18-0928	20726	LED, Bright White, White Lens
18-0862	20712	LED, Soft White, Optic Lens
18-0864	20714	LED, Soft White, White Lens

### Replacement Lenses:

18-0748	18017	Lens, Optic
18-0675	18016	Lens, White

## ECONOMY LIGHTS

- Low profile interior lights are economical, energy-efficient, and provide bright light
- Easy to clean, snap-out lens offered in clear or optic
- Single lights offer a 2-position switch (off/on) and use replacement bulb #1016
- Double lights offer 3-position switch (off/1 light/2 light) and use replacement bulb #1141
- Single light dimensions: 6.25" x 5.5" x 1-5/8" (wood screws not included)
- Double light dimensions: 11.5 x 5.5 x 1-5/8" (wood screws not included)

### Single Light:

18-0501	11824	Incandescent, Optic Lens
18-0578	14655	Incandescent, White Lens
18-0840	20667	LED, Bright White
18-1788	20715	LED, Soft White

### Double Light:

18-0505	11825	Incandescent, Optic Lens
18-0596	14656	Incandescent, White Lens
18-0841	20668	LED, Bright White
18-0888	20716	LED, Soft White

### Replacement Lenses:

18-0506	11826	Lens, Optic
18-0791	18530	Lens, White
18-0626	14813	Lens, White, Bulk

**LED lights offer longer lasting, energy-efficient lighting and produce better light quality with low heat output**

PART #	MFG #	BULB	AMPS	WATTS
18-1682	16751	#53, 2/cd	1.4	0.12
18-1774	16750	#53, 10/box	1.4	0.12
18-1684	16753	#57, 2/cd	0.24	2.9
18-1683	16752	#57, 10/box	0.24	2.9
18-1686	16755	#67, 2/cd	0.59	7.1
18-1685	16754	#67, 10/box	0.59	7.1
18-1676	11971	#71, 2/cd	0.8	10
18-1688	16761	#94, 2/cd	1.04	12.5
18-1724	16800	#194, 2/cd	0.27	3.2
18-1689	16762	#194, 10/box	0.27	3.2
18-1667	50557	#194, Bright White LED, 1/cd	0.065	0.8
18-1668	50558	#194, Bright White LED, 6/cd	0.065	0.8
18-1677	15753	#193, 2/cd	0.33	4.62
18-1690	16763	#211, 2/cd	0.84	10
18-1589	50664	#211, 3 LED, 1/cd 12V	0.028	0.4
18-1691	16764	#211-2, 2/cd	0.97	11.6
18-1588	50687	#211-2, Soft White LED, 1/cd 12V	0.028	0.4
18-1720	16793	#212-2, 2/cd	0.74	8.9
18-1590	50702	#212-2, Soft White LED, 1/cd	0.028	0.4
18-1692	16765	#906, 2/cd	0.69	8.3
18-1678	15754	#906, 10/box	0.69	8.3
18-1725	16801	#912, 2/cd	1	12
18-1679	15755	#912, 10/box	1	12
18-1669	50610	#912, Soft White LED	0.065	0.8
18-1726	16802	#921, 2/cd	1.4	16.8
18-1721	16794	#921, 10/box	1.4	16.8
18-1670	50567	#921, Bright White LED	0.095	1.2
18-1671	51274	#921, Bright White LED, 6/cd	0.095	1.2
18-1672	50564	#921, Soft White LED	0.095	1.2
18-1673	51273	#921, Soft White LED, 6/cd	0.095	1.2
18-1722	16795	#922, 2/cd	0.98	11.8
18-1674	50568	#922, Soft White LED, 1/cd	0.065	0.8
18-1727	50784	#JC20 Halogen 12V, 2/pk	0.6	20
18-1681	16747	#JC10W Halogen, 2/cd	0.84	10
18-1658	50529	#JC10W 9 LED, Bright White	0.84	10
18-1659	51465	#JC10W 9 LED, Bright White, 6/pk	0.84	10
18-1660	50527	#JC10W 9 LED, Soft White	0.84	10
18-1661	51466	#JC10W 9 LED, Soft White, 6/pk	0.84	10
18-1771	50552	#JC10W 6 LED, Bright White	0.84	10
18-1657	50533	#JC10W 6 LED, Soft White	0.84	10
18-1656	51272	#JC10W LED Disc Triple H #G4S	0.84	10
18-1662	50562	#MR11 Bright White LED	0.066	0.8
18-1663	50561	#MR11 Soft White LED	0.066	0.8
18-1772	50559	#MR16 Bright White LED	0.6	20
18-1664	50560	#MR16 Soft White LED	0.6	20
18-1694	16768	#1003, 2/cd	0.94	11.3
18-1693	16766	#1003, 10/box	0.94	11.3
18-1582	50435	#1003, Bright White LED	0.16	2
18-1583	50436	#1003, Bright White LED, 6/pk	0.16	2
18-1584	50455	#1003, Soft White LED	0.16	2
18-1585	50458	#1003, Soft White LED, 6/pk	0.16	2
18-1695	16769	#1004, 2/cd	0.94	11.3
18-1586	50474	#1004, Soft White LED, 1/cd	0.16	2
18-1587	50475	#1004, Soft White LED, 6/cd	0.16	2
18-1696	16770	#1016, 2/cd	1.34	16.1
18-1650	50725	#1016, Bright White LED	0.25	3.2
18-1651	50773	#1016, Soft White LED	0.25	3.2
18-1697	16772	#1073, 2/cd	1.8	21.6
18-1593	50398	#1073, Bright White LED	0.25	3.2
18-1594	50407	#1073, Bright White LED, 6/cd	0.25	3.2
18-1699	16774	#1076, 2/cd	1.8	21.6
18-1698	16773	#1076, 10/box	1.8	21.6
18-1591	50492	#1076, Soft White LED	0.25	23
18-1592	50493	#1076, Soft White LED, 6/cd	0.25	23
18-1708	16775	#1139-IF, Inside Frosted, 2/cd	1.04	12.5





11971



16763



50664



50429



50474



50567



50568



50610



PART #	MFG #	BULB	AMPS	WATTS
18-1710	16777	#1141, 2/cd	1.44	17.3
18-1709	16776	#1141, 10/box	1.44	17.3
18-1599	50368	#1141, 24 LED, Bright White	0.25	3.2
18-1601	50380	#1141, 24 LED, Bright White, 6/pk	0.25	3.2
18-1617	50367	#1141, 24 LED, Soft White	0.25	3.2
18-1618	50377	#1141, 24 LED Soft White, 6/pk	0.25	3.2
18-1595	50373	#1141, 18 LED, Bright White	0.19	2.4
18-1596	50386	#1141, 18 LED, Bright White, 6/pk	0.19	2.4
18-1597	50369	#1141, 18 LED, Soft White	0.19	2.4
18-1598	50385	#1141, 18 LED, Soft White, 6/pk	0.19	2.4
18-1711	16778	#1141-IF, Inside Frosted, 2/cd	1.44	17.3
18-1712	16779	#1142, 2/cd	1.44	17.3
18-1714	16783	#1156, 2/cd	2.1	25.2
18-1713	16782	#1156, 10/box	2.1	25.2
18-1639	50387	#1156, Bright White LED	0.25	3.2
18-1640	50392	#1156, Bright White LED, 6/pk	0.25	3.2
18-1716	16785	#1157, 2/cd	2.1	25.2
18-1715	16784	#1157, 10/box	2.1	25.2
18-1652	50509	#1157, Bright White LED	0.25	3.2
18-1653	50510	#1157, Bright White LED, 6/pk	0.25	3.2
18-1717	16788	#1383, 2/cd	1.54	18.5
18-1680	15758	#1383, 10/box	1.54	18.5
18-1654	50524	#1383, Soft White LED, 1/cd	0.417	5
18-1719	16792	#1895, 2/cd	0.27	3.2
18-1718	16791	#1895, 10/box	0.27	3.2
18-1655	50829	#2099, Soft White LED, 1/cd	0.25	3.2
18-1723	16798	#3157, 2/cd	2.02	24.2

LED	BULBS	Arcon Bright White LED Bulbs		
18-2070	52275	#1156	2.1	25.2
18-2068	52273	#921-5HP	0.242	2.9
18-2066	52271	#G4-3HP	0.167	2
18-2064	52269	#G4-9P4	0.25	3
18-2025	52231	#1141	1.4	17.3

LED	BULBS	Arcon Soft White LED Bulbs		
18-2069	52274	#1156	2.1	25.2
18-2067	52272	#921-5HP	0.242	2.9
18-2065	52270	#G4-3HP	0.167	2
18-2063	52268	#G4-9P4	0.25	3
18-2024	52230	#1141	1.4	17.3

18-1665	50363	Dome Light 24 LED Kit BW 12V	0.158	1.9
18-1666	50366	Dome Light 24 LED Kit SW 12V	0.158	1.9

### Emergency Bulb Kit

Includes: 13 bulbs: (3 - #57 clearance bulbs, 1 - #67 license/courtesy bulb, 2 - #194 clearance bulbs, 1 - #906 interior/porch bulb, 2 - #1003 interior/porch bulbs, 2 - #1141 taillight/interior bulbs, 2 - #1157 taillight/interior bulbs.)

18-1775 16796 Emergency Bulb Kit

### Late Model Emergency Bulb Kit

Includes: 14 bulbs: (1 - #194, 1 - #912, 2 - #921, 2 - #1003, 1 - #1076, 2 - #1141, 1 - #1157, 2 - #3157, 2 - #JC10W.)

19-3923 51270 Late Model Emer. Bulb Kit

## FLUORESCENT LIGHTS

- Available in 16 watt and 30 watt
- Sleek Euro style design
- Surface mount for easy installation
- Features on/off rocker switch



16 watt is 16 7/8" L x 4 3/8" W; 1 3/8" H, uses two 8-Watt, 12" F8T5/CW fluorescent tubes. Draws only 1.8 total amps

18-0507 13812 Crd/1



30 watt is 24" L x 6 1/2" W; 1 3/4" H, uses two 15 watt, 18" F15T8/CW fluorescent tubes. Draws only 3.7 total amps

18-1747 13813 Crd/1

## REPLACEMENT BULBS



18-0633 16749 8W, 12" Tubes, F8T5/CW Pkg/2



18-0630 16748 15W, 18" Tubes, F15T8/CW Pkg/2

## SOFT WHITE LED REPLACEMENTS FOR FLUORESCENT TUBES



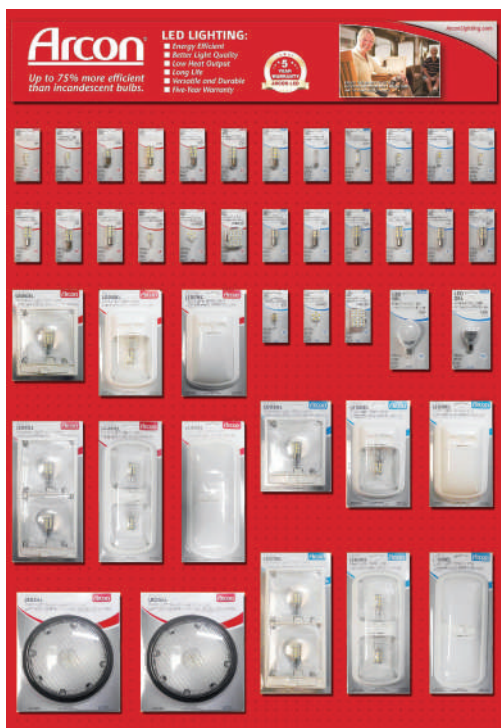
18-1773 50708 12" Replacement for F8T5/CW; 30 LED 4.1W, Pkg/1 #T5-12-SW-1 10



18-1675 50713 18" Replacement for F15T8/CW; 54 LED, 7.5W, Pkg/1 #T8-18-SW-1 10

## LED BULB & FIXTURE PLANOGRAMS

Arcon offers two Plan-O-Gram assortments, each of which is designed to maximize your profitability in a minimum amount of space. The large assortment includes 27 bulb skus and 15 fixtures, and is merchandised in a 48" section. We include a complete display kit to make this LED assortment stand out in your store. The smaller assortment is ideal for end-caps in your store and includes 41 bulb skus and 2 fixtures. The Arcon LED Plan-O-Gram is set up to provide a 36" or 48" area of display for RV LED product. It is offered in English or French versions and places 40+ different skus in an area for sale in a store.



### COMPLETE KITS

71-7900	3FTPOGEN	36" Plan-o-gram - English
71-7901	3FTPOGFR	36" Plan-o-gram - French
71-7902	4FTPOGEN	48" Plan-o-gram - English
71-7903	4FTPOGFR	48" Plan-o-gram - French

### BULB & FIXTURE KIT ONLY

81-0826	90066KIT	36" LED Plan-o-gram
81-0827	90067KIT	48" LED Plan-o-gram

### MARKETING KIT ONLY

71-3530	90062	36" LED Marketing Kit, English
71-3531	90063	36" LED Marketing Kit, French
71-3532	90064	48" LED Marketing Kit, English
71-3533	90065	48" LED Marketing Kit, French

### HEADER ONLY

71-3535	90119	36" x 8" Arcon Header, English
71-3536	90120	36" x 8" Arcon Header, French
71-3537	90121	48" x 8" Arcon Header, English
71-3538	90122	48" x 8" Arcon Header, French

### LED Marketing kit includes:

- Poster
- Perforated backer
- Arcon Reference Guide
- Re-Order Part number Tags
- Fasteners (for pegboard)



### Plan-O-Gram order form

Simple order form makes ordering and restocking your display quick and easy.



### Arcon Lighting Cross Reference Guide

Find the Arcon LED bulb number on the chart to review specifications and features, and to compare power usage.

# FRESHWATER

## INDEX

- Anode Rods 89
- Caps & Plugs 89
- Check Valves 89
- Hose Savers 89
- RV Starter Kits 88
- Water Fills 89
- Water Hoses 88
- Water Pumps 87
- Water Regulators 89





Powerful, on-demand, diaphragm pumps that respond smoothly to varying water flow demands. Compact but capable, they are a great fit for tight spaces. Equipped with 1/2" MNPS inlet and outlet fittings. Includes two 1/2" barbed adapters (to accommodate most OEM pump replacements) and a 50 mesh inlet strainer.



lead-free

## UNIVERSAL WATER PUMP 115V/3.0 GPM

### Features:

- Self-priming
- Run-dry safe
- Tested and guaranteed
- No surging; flows steadily
- Quiet operation
- Low power draw
- TRUE 3.0 GPM performance
- Corrosion-resistant valves
- Quick and easy installation
- Thermal breaker motor protection
- Built in check valve prevents back flow and allows for city water connection
- Rubber mounting base dampens vibration, and won't rust
- Safe for use with propylene glycol (RV non-toxic) antifreeze
- On-demand operation with variable flow technology
- Adjustable pressure switch (45 to 65 PSI)
- No accumulator tank necessary; less cycling
- Ideal for RVs, food trucks, park models and wash-down stations



Pre-wired with a 36" cord for plug-in installation

### Specs:

- Max flow: 3.0 GPM
- Electrical: 115V AC
- Inlet: 1/2" - 14 MNPS
- Outlet: 1/2" - 14 MNPS
- Pump weight (w/o strainer): 4.90 lbs.
- Shipping weight: 5.75 lbs.
- Pressure: 45 PSI
- Max amperage: 1.0 A
- 2 year limited warranty

01-5833 21855 Universal 115V/3.0 GPM Water Pump (AP3300)



## UNIVERSAL WATER PUMP 12V/3.0 GPM

### Features:

- Self-priming
- Run-dry safe
- Tested and guaranteed
- No surging; flows steadily
- Quiet operation
- Low power draw
- TRUE 3.0 GPM performance
- Corrosion resistant valves
- Thermal breaker motor protection
- Built in check valve prevents back flow and allows for city water connection
- Rubber mounting base dampens vibration, and won't rust
- Safe for use with propylene glycol (RV non-toxic) antifreeze
- On-demand operation with variable flow technology
- Adjustable pressure switch (45 to 65 PSI)
- No accumulator tank necessary; less cycling



### Specs:

- Max flow: 3.0 GPM
- Electrical: 12V DC
- Inlet: 1/2" - 14 MNPS
- Outlet: 1/2" - 14 MNPS
- Pump weight (w/o strainer): 4.35 lbs.
- Shipping weight: 5.15 lbs.
- Pressure: 55 PSI
- Max amperage: 8.5 A
- 2 year limited warranty

71-8551 21847 Universal 12V/3.0 GPM Water Pump (AP3000)  
71-8552 21849 Universal 12V/3.0 GPM Water Pump (AP3000) / 6pk Bulk



## 50 MESH STRAINER

- Prevents debris and other particles from entering pump
- Screws directly to the pump head
- Transparent design for easy inspection



\*Barbed Hose Adapters

71-8553 21850 50 Mesh Strainer

## PREMIUM WATER HOSES

- Manufactured with NSF listed materials
- 120 PSI (5/8") - 160 PSI (1/2") working pressure
- High-flow fittings
- 10 year warranty

62-2470	W20869	1/2" x 15' Premium Water Hose
62-2466	W20863	1/2" x 25' Premium Water Hose
62-2467	W20865	1/2" x 50' Premium Water Hose
62-2468	W20866	5/8" x 25' Premium Water Hose
62-2469	W20867	5/8" x 50' Premium Water Hose



**Everything you need to get on the road to adventure!**



## STANDARD RV STARTER KIT

03-0491 27588 Starter Kit Box-Standard

### Standard kit includes:

One triangular adapter 30A F-15A M; one 3" hose clamp; one sewer hose straight adapter; one 3" x 10' standard sewer hose; two Walex Porta-Paks; one 1/2" x 15' water hose; one roll super soft tissue; and one large pair of nitrile gloves.

## DELUXE RV STARTER KIT

03-0627 27589 Starter Kit Box-Deluxe

### Deluxe kit includes:

One triangular adapter 30A F-15A M; one 3" hose clamp; one sewer hose straight adapter; one 3" x 10' standard sewer hose; two Walex Porta-Paks; one 1/2" x 25' water hose; one Aqua Pro standard water regulator; one multi-surface level; one roll super soft tissue; and one large pair of nitrile gloves.

## STANDARD WATER REGULATOR



- Protects your plumbing system from damage due to excessive water pressure
- Outlet pressure regulated at 40-50 PSI
- Rated for inlet pressure up to 150 PSI
- Made with non-toxic, food-grade materials; lead-free

71-8554	21851	Water Regulator, 1/Card
71-8555	21852	Water Regulator, 1/Box

## WATER HEATER ANODE RODS

- Significantly extends water heater tank life
- Attracts and protects tank from elements that cause corrosion
- Simple replacement for MPT drain plug
- Replace annually for best results



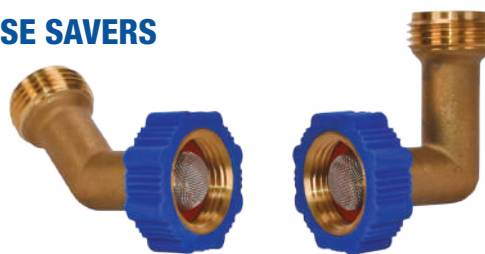
Magnesium Anode Rod for Suburban & Morflo Water Heaters, Lead-Free, 9-1/2" L, 3/4" MPT:

09-0007	69716	1/Card
09-0013	69717	Bulk

Magnesium Anode Rod for Atwood Water Heaters, Lead-Free, 4-1/2" L, 1/2" MPT:

09-0008	69718	1/Card
09-0012	69719	Bulk

## HOSE SAVERS



- Prevents hose kinks to ensure the free flow of water
- Pre-assembled EZ hose gripper
- Includes replaceable strainer
- Made with non-toxic, food-grade materials; lead-free

72-2648	21853	45° Hose Saver, 1/Card
72-2649	21854	90° Hose Saver, 1/Card

## CHECK VALVES



- Prevents back flow
- Replacement for Marshall Brass and Hydronamic Products
- Made with non-toxic, food-grade materials; lead-free
- Certified to IAPMO and NSF standards

10-0695	20809	Check Valve, 1/2" MxF, 1/Card
10-0700	20812	Check Valve, 1/2" MxF, Bulk
10-0702	20818	Check Valve, 1/2" MxM, 1/Card
10-0699	20810	Check Valve, 1/2" MxM, Bulk

## CAPS & PLUGS

- Keep dirt and debris out of water hoses or regulators
- Fits 3/4" garden hose



11-0507	27838	Plug and Strap, Bulk
11-0508	27839	Plug and Strap, 1/Card
11-0517	27917	Cap and Strap, 1/Card

## WATER FILLS



- Surface mount models are available in durable powder coated steel, white plastic and brushed aluminum, have a 3" outside diameter and require a 1-1/4" diameter cutout
- Recessed models available in durable powder coated steel, have a 4-1/2" outside diameter and require a 3-1/2" diameter cutout

Powder Coated Steel Recessed Mounting Flange w/1/2" FPT:

10-0986	27882	Recessed Model, Colonial White, 1/Card
10-0691	27886	Recessed Model, Polar White, 1/Card

Brushed Aluminum Surface Mounting Flange w/1/2" FPT:

10-0683	27884	Surface Mount Model, 1/Card
---------	-------	-----------------------------

Powder Coated Steel Surface Mounting Flange w/1/2" FPT:

10-0680	27883	Surface Mount Model, Polar White, Bulk
10-0677	27881	Surface Mount Model, Polar White, 1/Card

White Plastic Surface Mounting Flange w/1/2" MPT:

10-0694	27895	Surface Mount Model, Polar White, Bulk
10-0693	27893	Surface Mount Model, Polar White, 1/Card

# SANITATION

## INDEX

Closet Flange Seal	93
Flanges	93
Hose Adapters	93
Hose Caps	93
Hose to Hose Coupler	93
Sewer Hose Bumper Plug	93
Sewer Hose Kits	91
Sewer Hose Support	92
Sewer Hoses	92
Sewer Ring	93
Toilet Tissue	93
Waste Valves	93



## NEW & IMPROVED RV SEWER HOSE KITS INCLUDE DRIP CAPS AND CLEAR ELBOW

### Hassle-Free Swivel Fittings. No Grease Required!

#### P15TL 15' EXO SEWER HOSE KIT



- Drip caps and clear elbow included
- Rugged 24mil hose, protected by 100mil polypropylene ribbing
- Swivel twist-lock fittings
- Outside beading takes abrasions; not the hose material
- Fittings are secured with adhesive to prevent leaks or loosening
- Hose holds its shape when positioned
- Pliable hose, recovers from being crushed

81-6637	21861	P15TL 15' Exo Sewer Hose kit 15' Fully Extended; Collapses to 53"
81-6638	21862	P20TL 20' Exo Sewer Hose kit Each of the two 10' hoses collapses to 38"

#### 20TL 20' VORTEX SEWER HOSE KIT

- Drip caps and clear elbow included
- Tough, 21mil polypropylene reinforced with durable wire ribbing
- Swivel twist-lock fittings
- Hose structured on the outside for a snug fit and to prevent obstructions
- Fittings are securely sealed to prevent leaks or loosening
- Hose holds its shape when positioned
- Firm hose, resists crushing



81-6635	21859	15TL 15' Vortex Sewer Hose kit 15' Fully Extended; Collapses to 57"
81-6636	21860	20TL 20' Vortex Sewer Hose kit Each of the two 10' hoses collapses to 39"

These kits are interchangeable and can easily be daisy chained. They will also interchange with most brands that use bayonet style connections.

Hoses will fit inside a 4" bumper. Limited 90 day warranty on all Hoses & Fittings.

## DRAIN HOSES

Duraflex drain hoses are rugged, and remain flexible in all weather conditions. They are easy to install, and come in a variety of lengths. All drain hoses have a 3" inside diameter and are easy to compress for storage.

### STANDARD



- 8-mil vinyl
- .0375" wire diameter
- 18 coils per foot



11-0455	24950	10' Drain Hose / Boxed
11-0456	24951	20' Drain Hose / Boxed
11-0449	24948	10' Drain Hose / Bagged
11-0454	24949	20' Drain Hose / Bagged

### HEAVY-DUTY



- 12-mil vinyl
- .0375" wire diameter
- 20 coils per foot



11-0457	24952	10' Drain Hose / Boxed
11-0493	28273	15' Drain Hose / Boxed
11-0533	24953	20' Drain Hose / Boxed

### DELUXE HEAVY-DUTY



- 16-mil vinyl
- .045" wire diameter
- 25 coils per foot



11-0458	24956	10' Drain Hose / Boxed
11-0459	24957	20' Drain Hose / Boxed

### PREMIUM HEAVY-DUTY



- 20-mil vinyl
- .054" wire diameter
- 30 coils per foot



11-0491	24958	10' Drain Hose / Boxed
11-0492	24959	20' Drain Hose / Boxed

## RV SEWER HOSE SUPPORT

- Elevates sewer hose
- Flexible, durable and sturdy
- Deep groove hose support
- Slopes for drainage
- Lightweight and easy to store
- Made of durable plastic
- Manufactured by LEVEL-TREK<sup>®</sup>

01-5819	21856	10' RV Sewer Hose Support
01-5820	21857	15' RV Sewer Hose Support
02-2214	21858	20' RV Sewer Hose Support



Hook and Loop Fastener **Strap** Included

## SEWER AND DRAIN FITTINGS

All Duraflex adapters, caps and fittings interchange with all industry standard fittings. Slip sockets and spigots have flanges that attach to drain valves. Bayonet end attaches 3" bayonet fittings to drain valves. Made of durable, UV-stabilized ABS.



### SLIP SOCKET FLANGES

11-0509	27899	3"
11-0510	27900	2"
11-0511	27901	1-1/2"



### SPIGOT FLANGES

11-0516	27905	3"
11-0514	27904	2"
11-0513	27903	1-1/2"



### BAYONET FLANGE

11-0512	27902	3"
---------	-------	----



### 3/4" HOSE CAP WITH STRAP

10-1233	20099	Bulk
---------	-------	------



### 45° HOSE ADAPTER

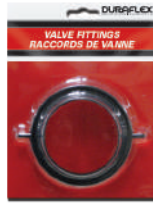
- 45° angle eliminates hose kinks.
- Clear adapter allows you to see when your tank is rinsed clean.

11-0506	27669	3" Hose x 3" Bayonet Hooks, Clear
---------	-------	--------------------------------------



### 45° ANGLED HOSE ADAPTER

11-0503	24653	3" Hose x 3" Bayonet Hooks, Carded
11-0499	24649	3" Hose x 3" Bayonet Hooks, Bulk



### 3" STRAIGHT HOSE ADAPTER

11-0504	24654	3" Hose x 3" Bayonet Hook, Carded
11-0500	24650	3" Hose x 3" Bayonet Hook, Bulk



### 3" TERMINATION CAP

11-0505	24656	w/Bayonet Hooks, Carded
11-0502	24652	w/Bayonet Hooks, Bulk



### 3" TERMINATION CAP W/ 3/4" HOSE THREAD CONNECTION

11-0534	24655	w/ Bayonet Hooks & Cap, Carded
11-0501	24651	w/ Bayonet Hooks & Cap, Bulk



### HOSE-TO-HOSE COUPLER

Couple 2 or more 3" sewer hoses together for extended reach.

11-0495	27906	3" Internal Coupler
---------	-------	---------------------



### SEWER RING Closed Cell Sponge Rubber

- Adapts fitting to sewer riser for a tight seal (In some areas.)

11-0494	21341	Sewer Ring
---------	-------	------------



### BASIC WASTE VALVES

- Threaded handle for easy replacement
- Stainless steel shafts
- Nitrile rubber seals for superior leak protection
- Plastic handles

11-0496	24646	1-1/2"
11-0497	24647	2"
11-0498	24648	3"



### CLOSET FLANGE SEAL Closed Cell Sponge Rubber

10-0709	20676	Closet Flange Seal, 9/16"
---------	-------	---------------------------



### RV AND MARINE TOILET TISSUE

- Soft, strong, absorbent and economical
- Facial quality tissue dissolves rapidly
- Flushes easily in all types of RV and marine toilets
- 2-ply tissue

13-1129	25965	4 Roll Pkg. (Case Qty - 6 Pkgs)
---------	-------	------------------------------------



### 4" SEWER HOSE BUMPER PLUG

11-0111	79403	Bumper Plug, 2/Card
11-0535	70406	Bumper Plug, 1/Bulk

Limited 90 day warranty

# SANITATION

**INDEX**

2 Wheel Portable Waste Transporters **95**

4 Wheel Portable Waste Transporters **95**

Portable Waste Transporter Display **96**

Replacement Parts **96**





## PORTABLE WASTE TRANSPORTERS

- Easy disposal of wastewater without having to break camp
- Low-profile design for easy storage
- Freshwater hose inlet for easy cleanup
- Blow-molded polyethylene construction is lightweight yet sturdy and won't rust or corrode
- Can be used with both grey and black water holding tanks
- All tanks come completely assembled
- Limited 3 year warranty

### 4-WHEEL TOTE-N-STORE® Available in 18, 25 & 38 gallon sizes

- Built-in storage compartment stocked with FREE accessories
- Integrated ventilation system allows fast and easy filling and draining
- Translucent sight tube shows fill level
- Smart design lets you drain without lifting, allows filling without bulging, and prevents handle from falling to the ground
- Rubber wheels make steering easy
- Extended tow handle prevents tank from hitting your heels

11-0246	20122	18 Gal.
11-0255	20123	25 Gal.
11-0266	20129	38 Gal.

### 2-WHEEL TOTE-N-STORE® Available in 11, 15, 25 & 32 gallon sizes

- Built-in storage compartment stocked with FREE accessories.\*
- Limited 1 year manufacturer's warranty

11-0223	25606	11 Gal.
*11-0225	25607	15 Gal.
*11-0234	25608	25 Gal.
*11-0235	25609	32 Gal.

The 4-wheel Tote-N-Stor let's you store your extra hookup fittings.



### CARRY TANK Available in 6 gallon size

Easy to carry, without wheels  
11-0226 25951 6 Gal.



## FREE ACCESSORIES KIT included with 4-wheel models



### KIT INCLUDES:

- (1) 3/4" x 15" greywater hose
- (2) 3" caps with 3/4" garden hose thread connection
- (1) 3" x 36" sewer drain hose
- (1) 3/4" garden hose cap and strap
- (2) 3" straight hose adapters
- (2) hose clamps

## FREE ACCESSORIES KIT included with 2-wheel 15, 25 & 32 gallon models



### KIT INCLUDES:

- (1) 3/4" x 15" greywater hose
- (1) 3" cap with 3/4" garden hose thread connection
- (1) 3" x 36" sewer drain hose
- (1) 3/4" garden hose cap and strap
- (1) 3" straight hose adapter
- (1) hose clamp
- (1) tow bracket

## DISPLAY

Header shows graphics for 2-wheel products on one side and 4-wheel products on the other side.

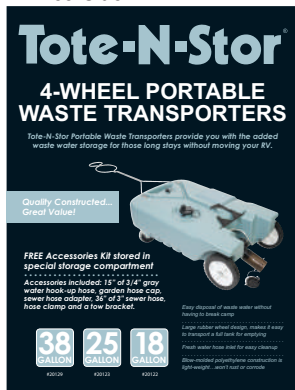
### DISPLAY HOLDS:

- (2) Two-wheel Tote-N-Stor® tanks
- (2) Four-wheel Tote-N-Stor® tanks

81-0871 90338 Tote-N-Stor® Display

### DISPLAY HEADER CARD

4 wheel side



2 wheel side



(Tanks sold separately)

### 2-WHEEL REPLACEMENT PARTS

11-0518	W013018	3/4" x 15" greywater hose
11-0542	20025	Towbar clamp
10-1233	20099	3/4" garden hose cap and strap
11-0504	24654	3" straight hose adapter
11-0534	24655	3" cap with 3/4" garden hose thread connection
11-0301	25644	Tow bracket
11-0236	27282	Accessory compartment replacement lid
11-0527	27283	2-wheel accessory kit
11-0237	27551	Tire, rear (1)
11-0702	28209	3" x 36" sewer drain hose

### 4-WHEEL REPLACEMENT PARTS

11-0518	W013018	3/4" x 15" greywater hose
11-0540	20015	Wheel, rear (1)
11-0546	20016	Wheel, front (1)
11-0548	20020	T-valve holder assembly
11-0541	20023	Axle, rear
11-0542	20025	Towbar clamp
11-0543	20036	Repl. handle 38 Gal.
11-0544	20037	Repl. handle 18 Gal.
11-0545	20038	Repl. handle 25 Gal.
11-0534	24655	3" cap with 3/4" garden hose thread connection
11-0547	20683	3" plain cap
10-1233	20099	3/4" garden hose cap and strap
11-0702	28209	3" x 36" sewer drain hose

# OUTDOOR LIVING

## INDEX

### Chairs

- Bucket **104**
- Director's **103-104**
- Recliners **105-106**
- Recliner Accessories **105-106**
- Rocking **104**

### Cooler, Folding **106**

### Gas Grills **107**

### Gas Grills Replacement Parts **107**

### Lights, LED Decorative **98**

### Mats, Multi-purpose **100-102**

### Pedestal Bases **107**

### Picnic Tables, Folding **99**

### Portable Kitchen **107**

### Screen Door Push Bar **99**

### Utility Container, Collapsible **107**



## THEMED DECORATIVE LED LIGHTING

- Eye-catching designs add a festive look to your outdoor living space
- Bright, safe, and energy efficient LED rope lighting
- Constructed with quality steel and a UV-protected film for lasting vibrant color
- Collapsible, portable, and easy to store
- Easy assembly, no tools required
- Ground stakes included
- Safety tested and UL listed



**SPECS:**

120V AC, 60Hz

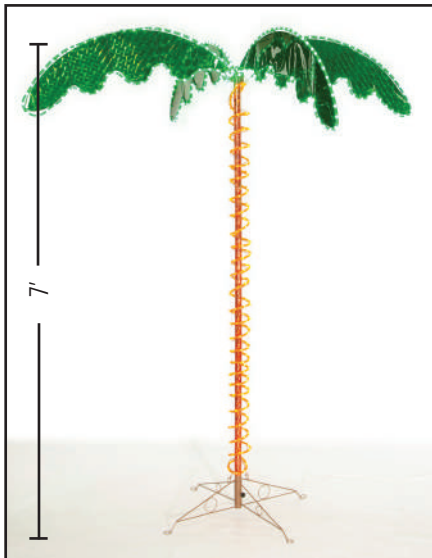
For use in dry exterior or interior spaces

Operating temperature range:  
-31° F (-35° C) to 120° F (49° C)

Use GFCI protected outlets and outdoor use extension cords

Replacement fuse (included): 8A, 125V

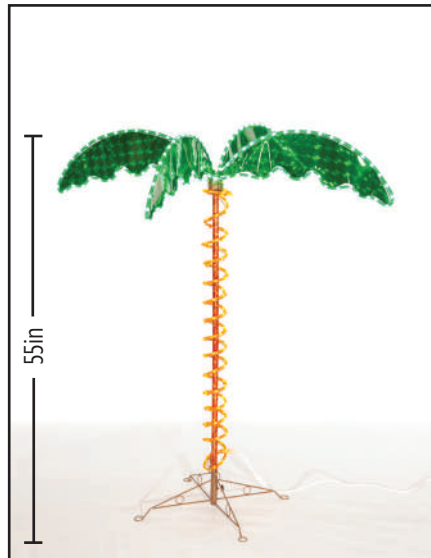
1 year warranty



**7' LED ROPE LIGHT PALM TREE**

Dimensions: 7' H x 6' W

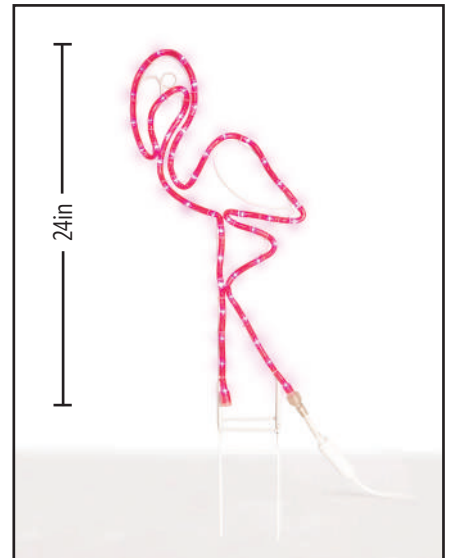
55-043 20522 7' LED Rope Light Palm Tree



**4.5' LED ROPE LIGHT PALM TREE**

Dimensions: 55in H x 51in W

55-5042 20521 4.5' LED Rope Light Palm Tree



**2' LED ROPE LIGHT FLAMINGO**

Dimensions: 24in H x 12in W

55-041 20520 2' LED Rope Light Flamingo



## SCREEN DOOR PUSH BARS

- Extends the life of your screen
- Durable, lightweight aluminum and ABS construction
- Comfortable, UV-resistant handle
- Easy to assemble and mount; hardware included
- Adjusts to fit your door size

Expanded: 28-3/4" L x 1-3/8" W x 1-7/8" D

Retracted: 21" L x 1-3/8" W x 1-7/8" D

Standoff Spacing from Door: 15/16" (inside dim);  
1-7/8" (outside dim)



### ALUMINUM WITH WHITE HANDLE

18-2703 400000 Push Bar with White Handle



### ALUMINUM WITH BLACK HANDLE

18-2704 400001 Push Bar with Black Handle

## FOLDING PICNIC TABLES

- Durable and weather-resistant, UV-protected, white polyethylene
- Easy to clean and maintain; stain-resistant
- Lightweight, strong, and rust-resistant steel folding frame



### FOLDING PICNIC TABLE & 2 BENCHES

- Compact outdoor set that folds down with benches that nest for convenient stowing
- Table dimensions: 44-1/2" x 27-1/8" by 28-3/4" high
- Bench dimensions: 37-3/4" x 9" by 16-1/2" high
- Table weight capacity: 220 lbs.
- Bench weight capacity: 440 lbs.

03-8104 69863 Folding Picnic Table and 2 Benches



### 6FT. FOLDING TABLE

- For maximum stowing efficiency, legs fold down, then table folds in half to achieve an ultra-compact size
- Rectangular table opens to 71-5/8" x 29-1/2" x 29-1/2" high
- Folds to 36" x 24-1/2" x 3-1/4"
- Table weight capacity: 330 lbs.

03-8105 69864 6' Folding Table



### 4FT. FOLDING TABLE

- For maximum stowing efficiency, legs fold down, then table folds in half to achieve an ultra-compact size
- Rectangular table opens to 48-3/8" x 24-1/2" x 29-1/2" high
- Folds to 24-3/8" x 24" x 3-3/16"
- Table weight capacity: 220 lbs.

03-8103 69873 4' Folding Table

## DELUXE MULTI-PURPOSE MATS

• Ideal for camping, tailgating, boating and hunting • Lightweight, 100% polypropylene • UV, mold and mildew resistant • Easy to clean • Reverse pattern on opposite side • Built-in corner tie-downs for staking • Carry bag & corner stakes included



**BEACH**  
01-5822 53000 9'x12'



**PALM TREES**  
01-5823 53001 9'x18'



**DEER**  
01-5824 53002 9'x12'



**CAMPING**  
01-5825 53004 9'x12'



**CAMPING**  
01-5826 53005 9'x18'



**HORSES**  
01-5827 53006 9'x12'



**SWISH - Blue/Grey**  
01-5828 53007 9'x12'  
01-5830 53009 9'x18'



**SWISH - Black/Grey**  
01-5829 53008 9'x12'  
01-5832 53011 9'x18'



**SWISH - Brown/Beige**  
01-5831 53010 9'x18'



**GRAPHIC - Black/Grey**  
01-5807 53012 9'x12'  
01-5811 53016 8'x16'  
01-5815 53020 8'x20'



**GRAPHIC - Blue/Grey**  
01-5808 53013 9'x12'  
01-5812 53017 8'x16'  
01-5816 53021 8'x20'



**GRAPHIC - Burgundy/Grey**  
01-5809 53014 9'x12'  
01-5813 53018 8'x16'  
01-5817 53022 8'x20'



**GRAPHIC - Brown/Beige**  
01-5810 53015 9'x12'  
01-5814 53019 8'x16'  
01-5818 53023 8'x20'

## DELUXE MULTI-PURPOSE MATS

- Ideal for camping, tailgating and boating • Lightweight, 100% polypropylene • UV, mold and mildew resistant • Easy to clean
- Reverse pattern on opposite side • Built-in corner tie-downs for staking



**STRIPED - Aqua/Navvy/Lime/White\***

01-1037 68678 9'x12'  
01-1038 68679 8'x20'

\*Same pattern on both sides



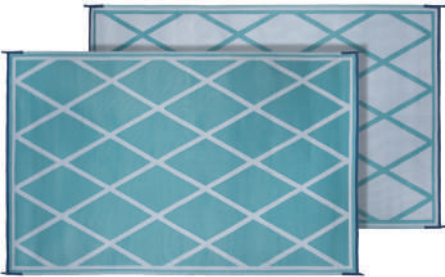
**STRIPED - Navy/White/Lime/Beige\***

01-1040 68790 9'x12'  
01-1041 68800 8'x20'



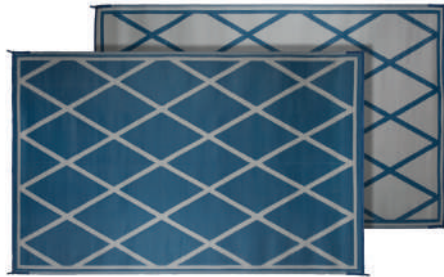
**STRIPED - Blue/Brick/Beige/Green\***

01-1042 68841 36"x 68"  
01-1043 68845 9'x12'  
01-1044 68847 8'x20'



**DIAMOND - Turquoise/White**

01-1190 68901 36"x 68"  
01-1191 68902 9'x12'  
01-1193 68903 8'x20'



**DIAMOND - Blue/Ivory**

01-1195 68912 9'x12'  
01-1196 68919 8'x20'



**DIAMOND - Black/Beige**

01-1188 68888 9'x12'  
01-1189 68900 8'x20'



**SWIRL - Black/Beige**

01-1198 68946 9'x12'  
01-1070 69098 8'x20'



**SWIRL - Brown/Beige**

01-1045 68859 36"x 68"  
01-1056 68860 9'x12'  
01-1057 68862 8'x20'



**STARS 'N STRIPES**

01-1054 68865 36"x 68"  
01-1055 68872 9'x12'  
01-1186 68877 8'x20'



**CARIBBEAN - Paradise Blue**

01-0716 48896 9'x12'  
01-0717 48932 9'x18'



**CARIBBEAN - Sahara Brown**

01-0721 48933 9'x12'  
01-0722 48934 9'x18'

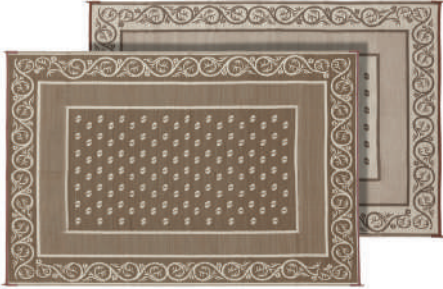


**CARIBBEAN - Island Time**

01-0723 48935 9'x12'  
01-0724 48942 9'x18'

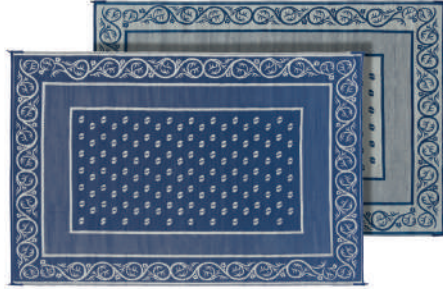
## DELUXE MULTI-PURPOSE MATS

- Ideal for camping, tailgating and boating • Lightweight, 100% polypropylene • UV, mold and mildew resistant • Easy to clean
- Reverse pattern on opposite side • Built-in corner tie-downs for staking



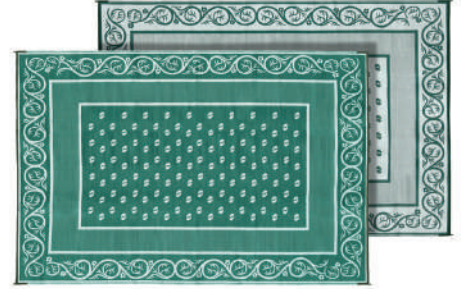
### VINEYARD - Beige

01-0638	48824	36" x 68"
01-0086	48695	6' x 9'
01-0289	48700	9' x 12'
01-0639	49599	8' x 16'
01-0307	48703	8' x 20'



### VINEYARD - Blue

01-0686	48698	6' x 9'
01-0687	48701	9' x 12'
01-0308	48704	8' x 20'



### VINEYARD - Green

01-0286	48699	6' x 9'
01-0300	48702	9' x 12'
01-0309	48705	8' x 20'



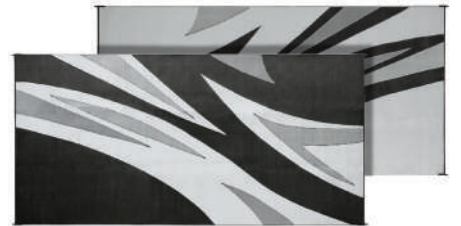
### SUMMER WAVES - Green/Blue

01-0647	45637	8' x 16'
01-0649	46294	8' x 20'



### SUMMER WAVES - Tan/Gold

01-0070	45638	8' x 16'
01-0678	46322	8' x 20'



### SUMMER WAVES - Black

01-0648	46258	8' x 16'
01-0679	46341	8' x 20'



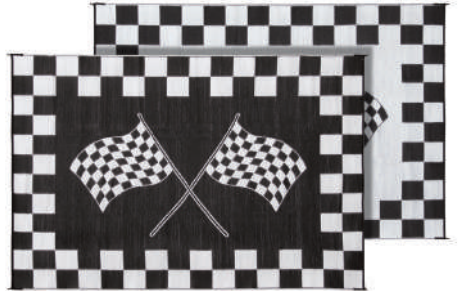
### MIRAGE - Silver/Gold

01-0071	46354	8' x 16'
01-0073	46362	8' x 20'



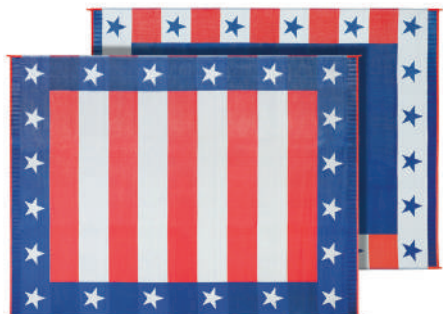
### MIRAGE - Burgundy

01-0072	46361	8' x 16'
01-0682	46363	8' x 20'



### FINISH LINE

01-0635	48823	36" x 68"
01-0448	48707	6' x 9'
01-0495	48708	9' x 12'
01-0551	48709	8' x 20'



### INDEPENDENCE DAY

01-0643	49601	36" x 68"
01-0075	46503	9' x 12'
01-0641	49600	8' x 16'
01-0074	46502	8' x 20'

## MAT CARRY BAG

- Durable, water-resistant black nylon material
- Extra internal compartment for accessories 13"H x 6.75"W x 2.75"D
- Secured with Hook and Loop Fastener strap
- Adjustable shoulder strap for easy carrying
- Room for multiple mats inside
- Bag Dimensions (inside dims): 14"H x 37.75"W x 7"D

01-0000 48829 Carry Bag







52284

### COMPACT DIRECTOR'S CHAIR

- Quick and easy to set up, fold, and carry
- Includes side table with built-in cup holder and side pouch for storage
- Stain-resistant, easy-to-clean fabric
- 300 lb. capacity
- Open: 34.25" D x 20.47" W x 18.11" H
- Folded: 20.87" D x 5.90" W x 18.90" H

03-2139 52284 Black



Folds to compact size for easy carrying or storage



48870

48871

52283

48872

### DIRECTOR'S CHAIRS

- Includes side table with built-in cup holder
- Side pouch holds accessories, like cell phones, bottles, or remotes
- Sturdy 1-1/8" tubing & UV-resistant polyester
- 300 lb. capacity
- 17.75" D x 23.5" W x 33.5" H

03-0473	48870	Green
03-0475	48871	Black
03-0480	48872	Blue
03-2143	52283	Burgundy
03-1980	49480	Repl. Foot pads (4)



49580

49581

49582

52287

69230

### EL CAPITAN DIRECTOR'S CHAIRS

- Built-in insulated cooler holds up to 12 cans; cooler measures 14" D x 9.8" W x 5.5" H
- Includes side table with built-in cup holder
- Stain resistant; easy-to-clean 600D polyester fabric
- 300 lb. capacity
- Open: 37.8" D x 43.7" W x 21.7" H
- Folded: 35.4" D x 5.9" W x 21.7" H

03-0313	49580	Black/Black
03-0318	49581	Blue/Black
03-0325	49582	Burgundy/Black
03-2142	52287	Green/Black
03-2307	69230	Dk Blue/Lt Green

## DELUXE DIRECTOR'S CHAIRS

- Lightweight and sturdy 1-5/8" W aluminum tube frame construction
- Convenient built-in carrying handles
- Comfortable padded and contoured armrests
- UV-resistant polyester fabric with breathable mesh panel
- 250 lb. capacity
- 1.5" D x 24.5" W x 35.5" H

03-0622	43946	Green
03-0488	43947	Blue
03-0487	43948	Black
03-1979	44019	Repl. Foot pads (4)



## DAKOTA ROCKING CHAIRS

- Quick and easy to set up, fold, and carry
- Comfortable padding and backrest
- Side pouch holds accessories, like cell phones, bottles, or remotes
- Sturdy steel tubing and 600D polyester fabric
- 300 lb. capacity
- Open: 42.1" D x 24" W x 35.8" H
- Folded: 47.2" D x 24" W x 6.9" H

03-0331	49596	Burgundy/Black
03-0332	49597	Black/Black
03-0334	49598	Blue/Black



## BIG DOG BUCKET CHAIRS

- Quick and easy to set up
- Comfortable padding and backrest
- Includes convenient built-in carrying bag with shoulder strap
- 300 lb. capacity
- Open: 37.8" D x 36.2" W x 28.7" H
- Folded: 41.3" D x 14.6" W x 11.8" H

03-0297	49570	Black/Black
03-0298	49575	Blue/Black
03-0299	49579	Burg/Black
03-2141	52286	Green/Black
03-2140	52285	Camo



## MALIBU RECLINERS - LIMITED QUANTITIES AVAILABLE

- Bungee cord system provided relaxing flexible support
- Easy-to-use lever lock system lets you select your favorite reclining position
- Nylon mesh recliners let air circulate
- Lightweight yet sturdy powder coated steel frame
- Folds up compactly
- 300 lb. capacity



03-2163	52299	Tan Mesh
03-2164	52300	Tan Mesh XL
03-0413	48962	Black Mesh
03-0437	48972	Black Mesh XL
03-0421	48964	Padded Blue
03-0446	48974	Padded Blue XL
03-0417	48963	Padded Black
03-0441	48973	Padded Black XL

03-0405	48969	Padded Checkered
03-0424	48965	Padded Green
03-0447	48975	Padded Green XL
03-2155	52291	Padded Fuchsia
03-2156	52292	Padded Fuchsia XL



## SANTA MONICA RECLINERS

- Heavy-duty aluminum frame with breathable 3D mesh back and seat
- Bungee cord system provided relaxing flexible support
- Easy-to-use lever lock system lets you select your favorite reclining position
- Adjustable headrest can be moved for lumbar support
- Built-in slide out table

03-2154	52290	Platinum XL
---------	-------	-------------

## RECLINER CARRYING BAG

- Carry and protect all Faulkner recliners from scratches, dirt, water, and grease
- Made with tough, vinyl-coated polyester with reinforced shoulder strap
- Vented design prevents mold and mildew

03-0472	43951	Recliner Bag, Black
---------	-------	---------------------



## LAGUNA RECLINERS - LIMITED QUANTITIES AVAILABLE

- Bungee cord system provided relaxing flexible support
- Contoured armrests follow every move of the seat
- Easy-to-use lever lock system lets you select your favorite reclining position
- High density foam covered seat and poly-cotton fabric accented with black
- Lightweight yet sturdy powder coated steel frame
- Removable headrest
- 300 lb. capacity



03-0422	48966	Green/Black	03-0426	48968	Blue/Black
03-0453	48976	Green/Black XL	03-0469	48978	Blue/Black XL
03-0423	48967	Red/Black	03-2158	52294	Gray/Black
03-0454	48977	Red/Black XL	03-2157	52293	Gray/Black XL

## RECLINER SERVING TRAY



- Swivels and rotates to any position
- Fits Faulkner recliners and other branded recliners with rounded legs
- Easy to assemble
- 5 lb. capacity

03-0363 48945 Serving Tray, Black

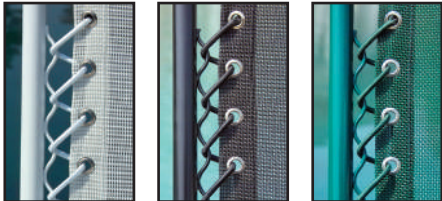
## OASIS FOLDING COOLER

- Keeps your beverages cold
- Features large zipper top and Hook and Loop Fastener lid for easy access
- Removable washable liner
- Folds down to compact size

03-0285 49569 Soft Cooler



## REPLACEMENT LACING



- Replace lacing in Faulkner chairs every 2 years for ensured comfort
- Includes 4 pieces: 2 for leg rest area and 2 for backrest area
- Fits all Faulkner recliners and most other brands

03-0603	48529	White
03-0619	48531	Black
03-0620	48532	Green

## GAS GRILLS

- Stainless steel grilling surfaces
- Works with disposable propane bottles, a portable tank, or your RV's propane supply
- Drip tray
- Thermometers
- Locking top
- Portable stand
- All models stand 22" tall
- CSA approved and UL listed within North America



## DELUXE GAS GRILLS

- Main Grill: 20.35" x 12.2"
- Upper Rack: 14.7" x 4.57"

06-0716	52301	Black Grill	w/ Adapter (for disposable LP bottles)
06-0717	52302	Stainless Grill	w/ Adapter (for disposable LP bottles)



## STANDARD GAS GRILLS

- Main Grill: 16.7" x 13.4"
- Upper Rack: 11.8" x 5.9"

06-0029	51307	Black Grill
06-0027	51322	Black Grill w/ Adapter (for disposable LP bottles)
06-0028	51323	Stainless Grill w/ Adapter (for disposable LP bottles)

## REPLACEMENT PARTS

06-0559	51856	Grill Grate (for use with Standard Gas Grills)
06-0560	51938	Gas Valve
06-0563	51939	Thermometer
06-0571	51940	Handle (for use with Standard Gas Grills)
06-0572	51941	Knob
06-0575	51942	Igniter
06-0446	51324	Disposable Bottle Adapter

## CAMP CUISINE PORTABLE KITCHEN

Take your kitchen supplies with you

- Aluminum top panel
- Wind deflector for your camp stove
- Three shelves
- Zipper doors
- Open: 22" D x 35" W x 32.2" H
- Folded: 22" D x 37.4" W x 5.1" H

03-0329	49583	Portable kitchen
---------	-------	------------------



## COLLAPSIBLE UTILITY CONTAINER

- Expands to 24" high and collapses to 2" high
- Polyethylene fabric container with zipper top lid and carry handles
- Spiral rib support extends and holds container to full height and adds wall support and strength
- Includes 1 plastic ground stake and storage bag
- Holds 33 gallon leaf and lawn bags

72-6225	45640	Utility Container
---------	-------	-------------------



## HEAVY-DUTY PEDESTAL BASES

- Stabilize table legs and stop pedestal wobble
- Bright aluminum finish



72-6194	48731	Surface Mount Base, Round, 7-1/2" Dia.
---------	-------	--



72-6195	48732	Flush Mount Base, Round, Recessed, 6-1/4" Dia., Hole Insert is 2.2" Dia., 2" Deep
---------	-------	---



72-6196	48733	Flush Mount Base, Square 5-15/16" x 5-15/16" Recessed
---------	-------	---

# VENTILATION ACCESSORIES

## INDEX

- Fan Blades **109**
- Gaskets, Air Conditioner **110**
- Insect Screens **112-113**
- Vent Covers **109**
- Vent Insulator **110**
- Vent Lids
  - Display **109**
  - Refrigerator **111**
  - Replacement **110**

## Reference

- Insect Screens Reference Chart **114-115**



## FAN BLADES

Impact resistant, plastic 6" white fan blades fit 12V powered roof vents and range hoods. Direction of spin is determined by looking down through the motor at the top of blade. CW=clockwise; CCW=counter clockwise.



- 22-0343 65483 Ventline, 1/8" Round-Bore, CCW
- 47-0002 65484 Ventline & Jensen 1/8" D-bore, CW
- 47-0003 65485 Ventline & Jensen 1/8" D-bore, CCW
- 47-0004 65491 Ventline 3/32" Round-bore, CCW

## VENT COVERS

Lets fresh air circulate while keeping the weather out! Aerodynamic design lets you keep the vents open even when it is raining. Includes installation hardware and a rubber roof vent kit\*, which means there is no need to remove existing vent mounting screws or drill holes.

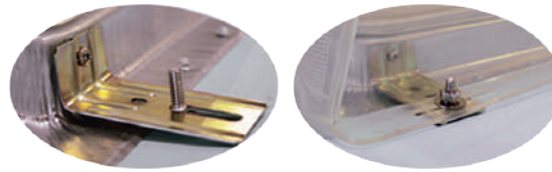


22-0223 67310 Vent Cover, White



22-0224 67313 Vent Cover, Black

### \*RUBBER ROOF VENT MOUNTING KIT

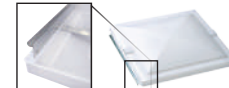


13-0635 65213 Rubber Roof Mtg. Kit

## VENTMATE POINT-OF-PURCHASE SIGNAGE

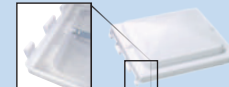


FITS: Pre-1995 Elxir Vents



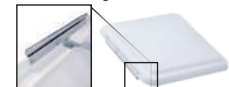
61634 White Assembled (Box)  
63116 White Unassembled (Bag)  
63118 Smoke Unassembled (Bag)

FITS: Pre-1995 Jensen Vents  
Pre-1995 Heng's Vents



61628 White Assembled (Box)  
63110 White Unassembled (Bag)  
63112 Smoke Unassembled (Bag)

FITS: All Ventline Vents  
1995 + Elxir Vents  
1995 + Heng's Universal Vents



61080 White Assembled (Box)  
65479 White Assembled (Bag) Lifetime Warranty  
62770 White Unassembled (Bag)  
62772 Smoke Unassembled (Bag)  
61255 Low Profile White Assembled (Box)  
63113 Low Profile White Unassembled (Bag)  
63115 Low Profile Smoke Unassembled (Bag)

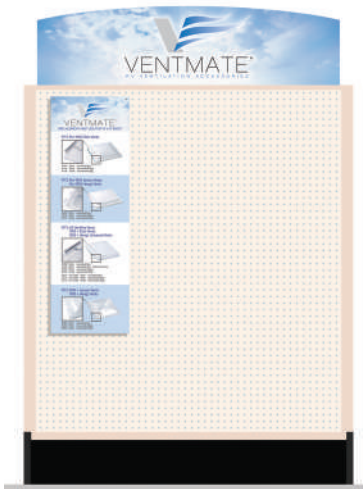
FITS: 1995 + Jensen Vents  
1995 + Heng's Vents



61284 White Assembled (Box)  
61282 White Unassembled (Bag)  
61283 Smoke Unassembled (Bag)

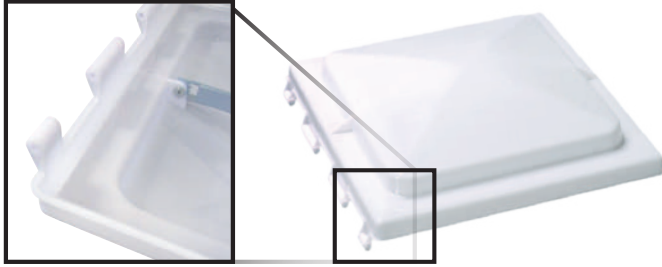
- Full color printed on durable 1/8" Sintra PVC
- Display cards are laminated to protect against surface damage and increase longevity
- Well organized and illustrated, to facilitate easy selection of the correct replacement lid
- Vertical card hang holes are positioned to align with standard peg board (Pegboard and shelving not included.)

VENTPOP Ventmate Horizontal Header Card (46" x 12") and Vertical Replacement Vent Lid Display card (12" x 36")



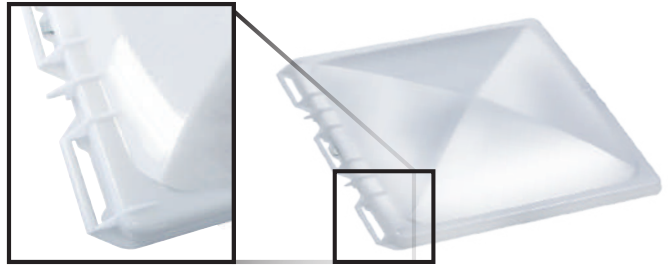
## REPLACEMENT VENT LIDS FOR 14" x 14" VENTS

**FITS:**  
**Pre-1995 Jensen Vents**  
**Heng's Pre-1995 Jensen Style Vents**



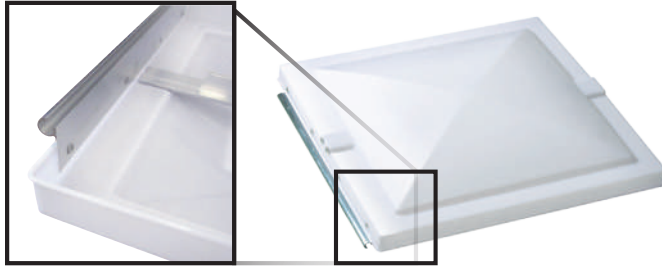
22-0150	61628	White	Assembled (Box)
22-0342	63110	White	Unassembled (Bag)
22-0162	63112	Smoke	Unassembled (Bag)

**FITS:**  
**1995+ Jensen Vents**  
**Heng's 1995+ Jensen Style Vents**



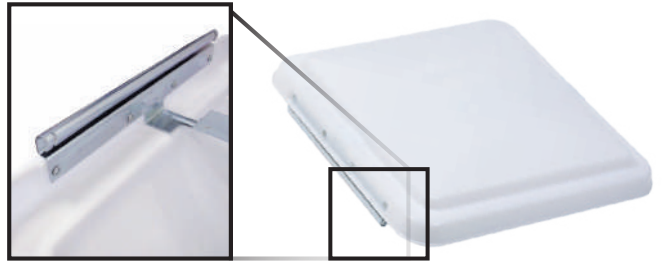
22-0244	69284	White	Assembled (Box)
22-0242	69282	White	Unassembled (Bag)
22-0243	69283	Smoke	Unassembled (Bag)

**FITS:**  
**Pre-1995 Elixir Vents**



22-0151	61634	White	Assembled (Box)
22-0215	63116	White	Unassembled (Bag)
22-0217	63118	Smoke	Unassembled (Bag)

**FITS:**  
**All Ventline Vents**  
**1995+ Elixir Vents**  
**1995+ Heng's Universal Vents**



22-0221	69280	White	Assembled (Box)
22-0218	65479	White	Assembled (Box) Lifetime Warranty
22-0219	69278	White	Unassembled (Bag)
22-0220	69279	Smoke	Unassembled (Bag)
22-0139	61255	Low Profile	White, Assembled (Box)
22-0187	63113	Low Profile	White, Unassembled (Bag)
22-0214	63115	Low Profile	Smoke, Unassembled (Bag)

## VENT INSULATOR



Fits standard 14" x 14" vent openings



- Easy pull strap
- Improves A/C efficiency
- Keeps heat inside during winter and keeps heat and sun out during the summer
- Easily removable cover for easy cleaning

01-0646	67304	Vent Insulator With Pull Strap
---------	-------	--------------------------------

## AIR CONDITIONER GASKETS



62901



65526



65527

- For a perfect air conditioner installation
- Corners are pre-sealed for water tight integrity

### Air Conditioner Gasket

08-0060	62901	A/C Seal 14" x 14"
---------	-------	--------------------

### Gasket Kits for Coleman A/Cs

08-0062	65526	A/C Gasket Kit 14" x 14"
08-0063	65527	A/C Gasket Kit 14" x 16"



## REFRIGERATOR VENT LIDS

- Made of high-impact plastic
- UV-stabilized for long life
- Works with most Norcold™ and Dometic™ lids, bases, and refrigerator cutouts

### REFRIGERATOR VENT LIDS, WHITE



22-0234 65528 Refrigerator Vent Lid, New Style Dometic



22-0239 65529 Refrigerator Vent Lid, Old Style Dometic



22-0240 65532 Refrigerator Vent Lid, Norcold

### REFRIGERATOR VENT LIDS, BLACK



22-0227 62712 Refrigerator Vent Lid, New Style Dometic



22-0228 62718 Refrigerator Vent Lid, Norcold

## UNIVERSAL REFRIGERATOR VENT LIDS & BASES

- Replacement lids and bases for refrigerator vents
- Screws and alignment tools\* are included for easy installation

### LID & BASE, POLAR WHITE\*

71-7930 68290 Universal Refrigerator Lid w/screws.

71-7931 68291 Universal Refrigerator Base w/screws.



### LID & BASE, BLACK\*

71-7932 68292 Universal Refrigerator Lid w/screws.

71-7933 68294 Universal Refrigerator Base w/screws.



## INSECT SCREENS

- Ventmate® insect screens prevent insects, mice, and other pests from entering and nesting inside your vented appliances while maintaining maximum airflow
- Unique silicone rubber mount edging provides scratch-free application\*
- Easy-grip tool with crossbar locator enables fast and easy spring installation\*
- Chrome-finished wire ties look great and are long lasting\*
- Protects children and pets from hot vent exposure
- Limited 1 year warranty protection against defects in material and workmanship

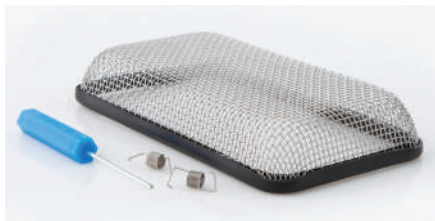


VNT-R600 and VNT-R600A screens installed



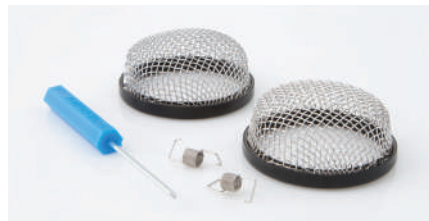
VNT-F600 screen installed

**Safeguard your RV Appliances with Ventmate Insect Screens**



### VNT-F100 (Furnace Vent)

Dimensions: 7-9/16"W x 4-1/8"H x 1-3/8"D  
 Use: Coleman, Hydro Flame, Sol-Aire, Suburban  
 Includes: (1) Screen, (2) 1" Springs, Installation Tool  
 71-7487 68297 VNT-F100



### VNT-F200 (Furnace Vent)

Dimensions: 2-7/8" Diameter x 1-3/16"D  
 Use: Duo-Therm (65900 Series), Suburban  
 Includes: (1) Screen, (2) 1" Springs, Installation Tool  
 71-7493 68325 VNT-F200



### VNT-F300 (Furnace Vent)

Dimensions: 4-7/8"W x 4-1/2"H x 1-1/8"D  
 Use: Hydro Flame 8500, 8900  
 Includes: (1) Screen  
 71-7489 68304 VNT-F300



### VNT-F400 (Furnace Vent)

Dimensions: 6-1/8" Diameter x 1-1/2"D  
 Use: Suburban DD  
 Includes: (1) Screen, (1) 1" Spring, Installation Tool  
 71-7490 68307 VNT-F400



### VNT-F500 (Furnace Vent)

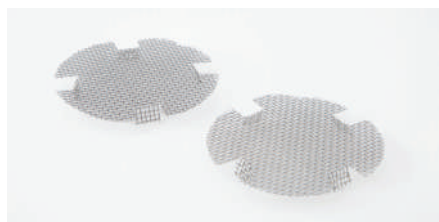
Dimensions: 3-7/8" Diameter x 1-1/4"D  
 Use: Atwood 2004, Hydro Flame  
 Includes: (1) Screen, (2) 1" Springs, Installation Tool  
 71-7488 68302 VNT-F500



### VNT-F600 (Furnace Vent)

Dimensions: 6-7/8"W x 5-1/8"H x 2-3/8"D  
 Use: Atwood AFMD, Dometic  
 Includes: (1) Screen, (1) 1" Spring, (1) 1-3/4" Spring, Installation Tool  
 71-7502 68660 VNT-F600

\*Application specific as indicated in screen descriptions



**VNT-P100 (Plumbing Vent)**

Dimensions: 2-1/2" Diameter  
 Use: Camco, Bristol, & Heng's Industries circular plumbing vents  
 Includes: (2) Screens  
 71-7499 68480 VNT-P100



**VNT-R500 (Refrigerator Vent)**

Dimensions: 19-5/8"W x 1-1/4"D  
 Use: Norcold  
 Includes: (3) Screens, 6 Chrome Wire Ties  
 71-7497 68393 VNT-R500



**VNT-R600 (Refrigerator Vent)**

Dimensions: 20"W x 1-1/2"D  
 Use: Dometic  
 Includes: (3) Screens, 6 Chrome Wire Ties  
 71-7496 68339 VNT-R600



**VNT-R600A (Refrigerator Vent)**

Dimensions: 2-5/8"W x 1-5/8"D  
 Use: Dometic  
 Includes: (3) Screens, 3 Chrome Wire Ties  
 71-7503 68671 VNT-R600A



**VNT-R700 (Refrigerator Vent)**

Dimensions: 27-1/2"W x 1-1/4"D  
 Use: Norcold  
 Includes: (3) Screens, 6 Chrome Wire Ties  
 71-7501 68585 VNT-R700



**VNT-R800 (Refrigerator Vent)**

Dimensions: 8"W x 1-1/2"D  
 Use: Dometic  
 Includes: (6) Screens, 12 Chrome Wire Ties  
 71-7498 68401 VNT-R800



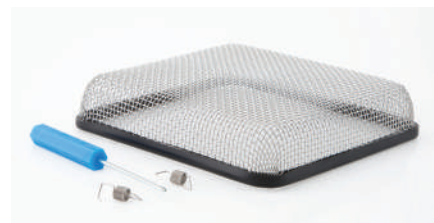
**VNT-S500 (Stove Vent)**

Dimensions: 11"W x 4-1/4"H x 1-3/8"D  
 Use: Atwood, Magic Chef, Suburban, Wedgewood  
 Includes: (1) Screen, (2) 1" Springs, Installation Tool  
 71-7500 68581 VNT-S500



**VNT-W200 (Water Heater Vent)**

Dimensions: 4-1/2"W x 4-1/2"H x 1-1/4"D  
 Use: Suburban water heaters 6, 10, 12 & 16 gal with 4" louvers, 4" battery vents, Suburban furnace vents 8525, 8531, 8535, 8940 AC & 8940 DC  
 Includes: (1) Screen, (2) 1" Springs, Installation Tool  
 71-7494 68327 VNT-W200



**VNT-W400 (Water Heater Vent)**

Dimensions: 6-3/4"W x 6-3/4"H x 1-1/2"D  
 Use: Suburban 6gal  
 Includes: (1) Screen, (2) 1" Springs, Installation Tool  
 71-7492 68322 VNT-W400



**VNT-W500 (Water Heater Vent)**

Dimensions: 8-1/2"W x 5-7/8"H x 1-3/8"D  
 Use: Atwood/Dometic 6 & 10gal, Suburban 6gal  
 Includes: (1) Screen, (2) 1" Springs, Installation Tool  
 71-7495 68335 VNT-W500



**VNT-W600 (Water Heater Vent)**

Dimensions: 9-3/4"W x 7-1/2"H x 1-1/2"D  
 Use: Suburban 10, 12 & 16gal  
 Includes: (1) Screen, (2) 1" Springs, Installation Tool  
 71-7491 68309 VNT-W600



**Deluxe Tool Kit**

Deluxe installation kit to upgrade existing screens, of any brand, to have new springs and the rubber edging.  
 Includes: Installation Tool, (2) 1" Springs, (1) 1-3/4" Spring, 34" length of Silicone Rubber Edging  
 71-7505 68673 Deluxe Tool Kit

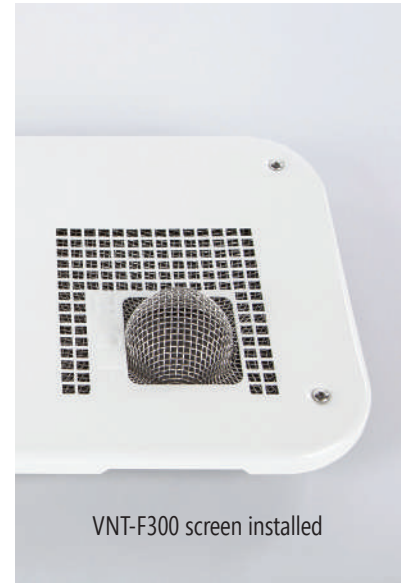


## VENTMATE APPLIANCE INSECT SCREEN DIRECTORY

Screen Model #	Part #	NTP STAG #	Appliance	Use	Dimensions	Material	Includes
VNT-F100	68297	71-7487	Furnace	Coleman, Hydro Flame, Sol-Aire, Suburban	7-9/16"W x 4-1/8"H x 1-3/8"D	Stainless Steel & Silicone Rubber	(1) Screen, (2) 1" Springs, (1) Installation Tool
VNT-F200	68325	71-7493	Furnace	Duo-Therm (65900 Series), Suburban	2-7/8" Diameter x 1-3/16"D	Stainless Steel & Silicone Rubber	(2) Screens, (2) 1" Springs, (1) Installation Tool
VNT-F300	68304	71-7489	Furnace	Hydro Flame 8500, 8900	4-7/8"W x 4-1/2"H x 1-1/8"D	Stainless Steel	(1) Screen
VNT-F400	68307	71-7490	Furnace	Suburban DD	6-1/8" Diameter x 1-1/2"D	Stainless Steel & Silicone Rubber	(1) Screen, (1) 1" Spring, (1) Installation Tool
VNT-F500	68302	71-7488	Furnace	Atwood 2004, Hydro Flame	3-7/8" Diameter x 1-1/4"D	Stainless Steel & Silicone Rubber	(1) Screen, (2) 1" Springs, (1) Installation Tool
VNT-F600	68660	71-7502	Furnace	Atwood AFMD, Dometic	6-7/8"W x 5-1/8"H x 2-3/8"D	Stainless Steel & Silicone Rubber	(1) Screen, (1) 1-3/4" Spring, (1) 1" Spring, (1) Installation Tool
VNT-P100	68480	71-7499	Plumbing Vent	Camco, Bristol, & Heng's Industries circular plumbing vents	2-1/2" Diameter	Stainless Steel	(2) Screens
VNT-R500	68393	71-7497	Refrigerator	Norcold	19-5/8"W x 1-1/4"D	Stainless Steel	(3) Screens, 6 Chrome Wire Ties
VNT-R600	68339	71-7496	Refrigerator	Dometic	20"W x 1-1/2"D	Stainless Steel	(3) Screens, 6 Chrome Wire Ties
VNT-R600A	68671	71-7503	Refrigerator	Dometic	2-5/8"W x 1-5/8"D	Stainless Steel	(3) Screens, 3 Chrome Wire Ties
VNT-R700	68585	71-7501	Refrigerator	Norcold	27-1/2"W x 1-1/4"D	Stainless Steel	(3) Screens, 6 Chrome Wire Ties
VNT-R800	68401	71-7498	Refrigerator	Dometic	8"W x 1-1/2"D	Stainless Steel	(6) Screens, 12 Chrome Wire Ties
VNT-S500	68581	71-7500	Stove	Atwood, Magic Chef, Suburban, Wedgewood	11"W x 4-1/4"H x 1-3/8"D	Stainless Steel & Silicone Rubber	(1) Screen, (2) 1" Springs, (1) Installation Tool
VNT-W200	68327	71-7494	Water Heater	Suburban water heaters 6, 10, 12 and 16gal with 4" louvers, 4" battery vents, Suburban furnace vents 8525, 8531, 8535, 8940 AC & 8940 DC	4-1/2"W x 4-1/2"H x 1-1/4"D	Stainless Steel & Silicone Rubber	(1) Screen, (2) 1" Springs, (1) Installation Tool
VNT-W400	68322	71-7492	Water Heater	Suburban 6gal	6-3/4"W x 6-3/4"H x 1-1/2"D	Stainless Steel & Silicone Rubber	(1) Screen, (2) 1" Springs, (1) Installation Tool
VNT-W500	68335	71-7495	Water Heater	Atwood/Dometic 6 & 10gal, Suburban 6gal	8-1/2"W x 5-7/8"H x 1-3/8"D	Stainless Steel & Silicone Rubber	(1) Screen, (2) 1" Springs, (1) Installation Tool
VNT-W600	68309	71-7491	Water Heater	Suburban 10, 12 & 16gal	9-3/4"W x 7-1/2"H x 1-1/2"D	Stainless Steel & Silicone Rubber	(1) Screen, (2) 1" Springs, (1) Installation Tool



VNT-R800 screens installed



VNT-F300 screen installed

### VENTMATE SCREENS REPLACE

VENTMATE			CAMCO			JCJ		ULTRA-FAB		VALTERRA		ALEKO	ABN*
Ventmate Model #	Part #	NTP STAG #	NTP STAG #	OEM Part #	Camco Model #	KAO Part #	OEM Part #	NTP STAG #	OEM Part #	KAO Part #	OEM Part #	Part #	Part #
VNT-F100	68297	71-7487	08-0230	42140	FUR100	M200	M-200	71-7844	53-945100	A101300VP	A10-1300VP	RVS001	9788
VNT-F200	68325	71-7493	08-0231	42141	FUR200	M300	M-300	71-7845	53-945110	A101301VP	A10-1301VP	RVS003	9764
VNT-F300	68304	71-7489	08-0232	42142	FUR300	M500	M-500	71-7846	53-945120	A101302VP	A10-1302VP	RVS004	9771
VNT-F400	68307	71-7490	08-0233	42143	FUR400	M700	M-700	71-7848	53-945140	A101303VP	A10-1303VP	RVS005	n/a
VNT-F500	68302	71-7488	08-0234	42144	FUR500	M800	M-800	71-7847	53-945130	A101304VP	A10-1304VP	n/a	9757
VNT-F600	68660	71-7502	09-0503	42155	FUR600	n/a	n/a	71-7849	53-945150	A101305VP	A10-1305VP	RVS002	n/a
VNT-P100	68480	71-7499	08-0238	42152	PL100	PV400	PV-400	n/a	n/a	A101340VP	A10-1340VP	n/a	n/a
VNT-R500	68393	71-7497	22-0718	42148	RS500	R300	R-300	71-7851	53-945210	A101310VP	A10-1310VP	RVS006	n/a
VNT-R600	68339	71-7496	07-0140	42149	RS600	R600A	R-600	71-7850	53-945200	A101311VP	A10-1311VP	RVS007	n/a
VNT-R600A	68671	71-7503	n/a	n/a	n/a	R-600	R-600A	n/a	n/a	n/a	n/a	n/a	n/a
VNT-R700	68585	71-7501	08-0239	42153	RS700	n/a	n/a	71-7853	53-945230	A101312VP	A10-1312VP	RVS008	n/a
VNT-R800	68401	71-7498	07-0141	42154	RS800	n/a	n/a	71-7852	53-945220	A101313VP	A10-1313VP	RVS009	9832
VNT-S500	68581	71-7500	08-0237	42147	ST500	S900	S-900	71-7854	53-945300	A101330VP	A10-1330VP	RVS010	n/a
VNT-W200	68327	71-7494	08-0235	42150	WH200	W1000	W-1000	71-7858	53-945430	A101322VP	A10-1322VP	RVS014	9801
VNT-W400	68322	71-7492	08-0236	42151	WH400	W600	W-600	71-7857	53-945420	A101323VP	A10-1323VP	RVS013	9818
VNT-W500	68335	71-7495	09-0277	42145	WH500	W100	W-100	71-7855	53-945400	A101320VP	A10-1320VP	RVS011	9825
VNT-W600	68309	71-7491	09-0278	42146	WH600	W200	W-200	71-7856	53-945410	A101321VP	A10-1321VP	RVS012	9795

\*Auto Body Now



# PRODUCT INDEX

<b>Adapters</b>			
"Y"	80		
Generator	80		
Pigtail	78-79		
Power Cord	80		
Trailer Wiring	29-30		
<b>Air Conditioner Gasket</b>	110		
<b>Anode Rods</b>	89		
<b>Ball Mounts</b>			
Class I, II, III	6		
Switch Hitch	8		
Triball	8		
<b>Balls</b>			
Hitch	9		
Hitch, Gooseneck	11		
<b>Battery Boxes</b>	74		
<b>Brake</b>			
Assembly Kits	20-22		
Controls	24-25		
Harnesses	33		
Hub Kits	23		
Self-Adjusting	21-22		
<b>Carriers</b>			
Bike	37		
Cargo	38		
<b>Chairs</b>			
Accessories	106		
Bucket	104		
Director's	103-104		
Recliners	105-106		
Rocking	104		
<b>Check Valves</b>	89		
<b>Cooler</b>			
Folding	106		
<b>Cords</b>			
Extension	80		
Power	80		
Replacement End	77		
<b>Couplers</b>			
A-Frame Tongue	19		
Locks	10		
Repair Kits	19		
Straight Tongue	19		
<b>Fifth Wheel</b>			
Crossmembers	12		
Gliders	15		
Hitches	14		
Hitches, OEM	12		
Lube Discs	15		
Puck Adapters	12		
Rollers	15		
Stabilizers	35		
Uprights	12		
<b>Grills, Portable</b>	107		
<b>Generator, Inverter</b>			
Parallel Kit	71		
PH2400 PRI/E, Electronic Fuel Injection	71		
PH2200i	72		
PH2400Pi	71		
PH3300i	72		
<b>Gooseneck</b>			
Fixed Ball Platforms	11		
Hitch Ball	11		
<b>Heaters, Portable</b>			
Ceramic	76		
Coil	76		
<b>Hitches</b>			
Class III Receiver	5		
Fifth Wheel	14		
Sway Control	16-17		
Weight Distribution	16-17		
<b>Insect Screens</b>	112-113		
Tool Kit	113		
<b>Jack</b>			
A-Frame, Side-Wind	35		
A-Frame, Top-Wind	35		
Electric Tongue, Husky	34		
Electric Tongue, Suspension Pro	69		
Footplate	34		
Scissor	36		
Side-Wind, Swivel	35		
Stabilizers	35-36		
<b>Lights</b>			
Fixture	81-82		
Fluorescent	85		
LED Decorative	98		
Porch	81		
Replacement Bulbs	83-84		
Replacement Bulbs, LED	83-84		
Utility	81		
<b>Locks</b>			
Coupler	10		
Fifth Wheel King Pin	10		
<b>Mats, Multi-purpose</b>	100-102		
<b>Merchandising Tools</b>			
Arcon Lighting Plan-O-Grams	85		
Husky Fifth Wheel Display	40		
Husky Receiver Hitch Display	40		
Husky Towing Plan-O-Gram	38		
Husky Weight Distribution Displays	40		
Husky Wiring Plan-O-Grams	39		
Powerhouse Generator Display	74		
Tote N Stor Waste Transporter Display	96		
Ventmate Point of Purchase Signage	109		
<b>Pedestal Bases</b>	107		
<b>Tables, Folding</b>	99		
<b>Pins</b>			
Hitch	10		
Receiver, Locking	10		
<b>Kitchen, Portable</b>	107		
<b>Receivers, Hitches &amp; Accessories</b>			
Accessories	10		
Class III	5		
Extensions	10		
Reducers	10		
<b>RV Starter Kits</b>	88		
<b>Screen Door Push Bar</b>	99		
<b>Sewer Hose</b>	92		
Adapters	93		
Bumper Plug	93		
Caps	93		
Fittings	93		
Flanges	93		
Kits	91		
Support	92		
Waste Valves	93		
<b>Shanks</b>			
Weight Distribution	18		
<b>Surge Protectors</b>	76		
<b>Tow Bar</b>			
Folding	11		
<b>Towing Lights</b>			
Magnetic	10		
Wireless Magnetic	11		
<b>Utility Container</b>			
Collapsible	107		
<b>Vent</b>			
Covers	109		
Fan Blades	109		
Insulator	110		
Lids	110		
Lids, Refrigerator	111		
<b>Waste Transporters, Portable</b>			
2-Wheel	95		
4- Wheel	95		
<b>Water</b>			
Fills	89		
Hose Savers	89		
Hoses	88		
Pumps	87		
Regulators	89		
<b>Wiring</b>			
7-Way Junction Box	26		
Accessories	26-33		
Adapters	29-30		
Connectors	27-32		
Harnesses	33		



# 2020

## TOWING & RV

---

### PARTS & ACCESSORIES

### CATALOG



SUSPENSIONPRO<sup>®</sup>

POWERHOUSE

Arcon<sup>®</sup>

Aqua,Pro<sup>®</sup>

DURAFLEX<sup>®</sup>  
SANITATION PRODUCTS

Tote-N-Stor

Faulkner

VENTMATE<sup>®</sup>







<b>4</b>	<b>Husky</b>	TOWING
<b>68</b>	<b>Suspension Pro</b>	ELECTRIC TONGUE JACKS
<b>70</b>	<b>Powerhouse</b>	POWER GENERATION
<b>75</b>	<b>Arcon</b>	ELECTRICAL
<b>86</b>	<b>Aqua Pro</b>	FRESHWATER
<b>90</b>	<b>Duraflex</b>	SANITATION
<b>94</b>	<b>Tote N Stor</b>	SANITATION
<b>97</b>	<b>Faulkner</b>	OUTDOOR LIVING
<b>108</b>	<b>Ventmate</b>	VENTILATION ACCESSORIES



**2020**  
**NEW**  
**PRODUCTS**

PAGE  
**11**

## WIRELESS MAGNETIC TOW LIGHTS

Long lasting built-in rechargeable lithium battery powered LED's on super strong magnetic bases for tow ready convenience



PAGE  
**26**

## 7-WAY JUNCTION BOX

Fast, easy installation of your trailer 7-way connection, in a rugged, weather resistant housing



PAGE  
**81**

## LED PORCH/UTILITY LIGHTS

8 new LED porch/utility lights with base and lens color options



PAGE  
**91**

## SEWER HOSE KITS UPGRADES

Superior quality upgraded sewer hose kits include required hook-up accessories



PAGE  
**98**

## THEMED DECORATIVE LED LIGHTING

7' & 4.5' Palm trees and 2' Pink flamingo LED lights add a festive look to your outdoor space (see previous page)

PAGE  
**99**

## SCREEN DOOR PUSH BARS

White or black with aluminum handle expands or contracts for a custom fit with hardware included



# TOWING

## INDEX

- Ball Mounts **6-8**
- Brake Assemblies **20-22**
- Brake Controllers **24-25**
- Cargo Carriers & Bike Racks **37-38**
- Couplers **19**
- Fifth Wheel Hitches **14**
- Fifth Wheel OEM Hitches **12**
- Fifth Wheel Rollers and Gliders **15**
- Gooseneck Accessories **11**
- Hitch Accessories **10**
- Hitch Balls **9**
- Hitch Shanks **18**
- Idle Hub Kits **23**
- Jacks & Stabilizers **34-36**
- Magnetic Towlights **10-11**
- Plan O Grams & Displays **38-40**
- Puck Adapters & Crossmembers **13**
- Receiver Hitches **5**
- Weight Distribution **16-17**
- Wiring & Accessories **26-33**

## Reference

- Brake and Axle Replacement Parts **58-66**
- Brake Control Custom Wiring Harnesses **57**
- Fifth Wheel Components **54**
- Fifth Wheel Custom Bracket Kits **55-56**
- Fifth Wheel Hitch Replacement Parts **49-53**
- Receiver Hitch Fitment Guide **41-48**

## CLASS III RECEIVER HITCHES

130 MODELS AVAILABLE!

Husky<sup>®</sup> offers a full line of unique hitch models to provide a custom fit for nearly every vehicle on the road today. Husky<sup>®</sup> receiver hitches are engineered and rigorously tested to SAE J684 standards for safety. Each hitch is protected inside and out with an industry-leading, rust-resistant finish.

- Manufactured with a vehicle-specific design for a custom fit
- Precisely welded for superior strength and fit
- Co-cured in a rust-resistant liquid Bonderite<sup>®</sup> coating
- Strengthened with a welded, seamless collar
- Open-back receiver for easy cleaning
- Limited lifetime warranty

See pages 41 thru 48 for a detailed Receiver Hitch fitment chart.



### DISPLAY

This point of purchase display is designed to showcase five Husky<sup>®</sup> 2" receiver hitches. Included header card supplies customers with Husky<sup>®</sup> product information and specifications. Hitches are sold separately.

**DISPLAY HOLDS:** 5 Husky<sup>®</sup> Receiver Hitches

72-2664 90340 Husky<sup>®</sup> Receiver Hitch Display

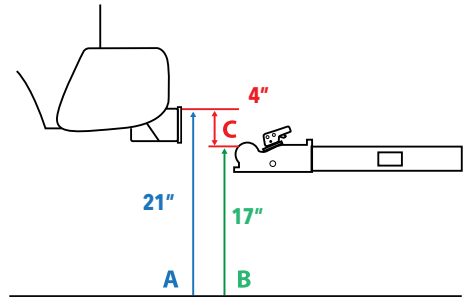
## BALL MOUNTS

Ball mounts vary by weight rating, shaft length, and rise/drop measurements. Husky's Class I, II, III & IV Ball Mounts are manufactured with a precise rise or drop to suit each of the applications. Rise/drop measurements become important in Class III and IV, and Husky offers you a wide range of rise/drop choices. Weight rating is limited to vehicle tow rating; see vehicle owner's manual.

PART #	MFG #	BALL THREAD DIAMETER	LENGTH	RISE	DROP	WEIGHT RATING
<b>CLASS II 1-1/4" SQ. BALL MOUNTS: BLACK POWDER COAT FINISH</b>						
14-1118	31341	3/4"	6-5/8"	5/8"	1-1/4"	3,500lbs (1588kg)
14-1467	31342	3/4"	7-7/8"	2-1/4"	2-7/8"	3,500lbs (1588kg)
<b>CLASS II/III/IV 2" SQ. BALL MOUNTS: BLACK POWDER COAT FINISH</b>						
14-1121	31357	1"	8"	3/4"	2"	6,000lbs (2722kg)
14-1123	31359	1"	6-3/4"	2"	3-1/4"	6,000lbs (2722kg)
14-1124	31360	1"	9"	1"	2-1/4"	6,000lbs (2722kg)
14-1122	31358	1"	10"	3"	4-1/4"	5,000lbs (2268kg)
14-1125	31361*	1"	9"	*	8"	3,500lbs (1588kg)
14-1126	31362	1"	10-1/2"	1"	2-1/4"	6,000lbs (2722kg)
14-1127	31363	1"	11-1/2"	4-3/4"	6"	5,000lbs (2268kg)
14-1135	31369	1"	12"	1"	2-1/4"	6,000lbs (2722kg)
<b>CLASS V 2.5" SQ. BALL MOUNTS: BLACK POWDER COAT FINISH</b>						
71-5213	33004	1-1/4"	9-1/2"	1"	2-1/2"	12,000lbs (5443kg)
71-5214	33005	1-1/4"	9-1/2"	3-1/4"	4-3/4"	12,000lbs (5443kg)
<b>STRAIGHT ECONOMY BALL MOUNT</b>						
14-1131	31364	1"	8"	3/4"	2"	6,000lbs (2722kg)

\*Not to be used in rise position.

Limited lifetime warranty



A: Measure from the ground to the top of the hitch.

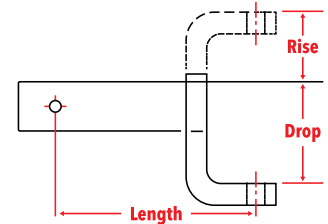
B: Measure from the ground to the INSIDE top of the trailer coupler (when level)

C: Determine the "DROP" or "RISE"

DROP: if the coupler is LOWER than the hitch:  
ADD the height of the hitch ball (usually 3")

RISE: if the coupler is HIGHER than the hitch:  
SUBTRACT: the height of the hitch ball (usually 3")

EXAMPLE: a 7" DROP is needed to make this trailer level.  
4" (Hitch - Coupler) + 3" (Hitch Ball Ht.) = 7" (DROP)



FOR BALL MOUNT RISE:

A = Distance from ground to bottom of trailer coupler.

B = Distance from ground to top I.D. of the receiver tube opening.

C = Amount of rise necessary to keep trailer level.

FOR BALL MOUNT DROP:

A = Distance from ground to bottom of trailer coupler.

B = Distance from ground to top I.D. of the receiver tube opening.

C = Amount of drop necessary to keep trailer level.



### PRE-TORQUED TOW KITS

Class IV. Fits 2 Inch Receiver. 6000 lbs. GTW. Non-swivel; non-extendable. 1 Inch ball shank diameter; with 2 inch ball; powder-coated black steel; includes pin and clip.

- |         |       |                               |
|---------|-------|-------------------------------|
| 14-1132 | 31366 | 2" Ball, 2" Drop, 3/4" Rise   |
| 14-1133 | 31367 | 2" Ball, 3-1/4" Drop, 2" Rise |



### ADJUSTABLE BALL MOUNT KIT WITH BALL PLATFORM

Includes a solid steel ball mount accessory, and accepts 1" tube diameter, hitch balls (not included). Adjustable 6-3/4 Inch Drop or 5-1/4 Inch Rise. GTW: 6000 lbs. Two high strength clevis pins allows for easy removal and swift interchangeability of accessories and height adjustments. Rust resistant powder-coat finish.

- |         |       |             |
|---------|-------|-------------|
| 71-5261 | 33108 | 2" Receiver |
|---------|-------|-------------|



### PINTLE COMBO

Includes a solid forged steel pintle combo with ball. Easy removal and swift interchangeability of accessories and height adjustments. Rust-resistant powder-coat finish.

- |         |       |                                 |
|---------|-------|---------------------------------|
| 71-5266 | 33113 | 2" Ball<br>10,000 lbs. GTW      |
| 71-5267 | 33114 | 2-5/16" Ball<br>13,000 lbs. GTW |



### ADJUSTABLE BALL MOUNT/PINTLE COMBO KIT

Includes a solid forged steel pintle combo with ball, and 2 clevis pins for easy removal and swift interchangeability of accessories and height adjustments. Rust-resistant powder-coat finish.

- |         |       |  |
|---------|-------|--|
| 71-5262 | 33109 | 2" Receiver, 2" Ball<br>10,000 lbs. GTW      |
| 71-5263 | 33110 | 2" Receiver, 2-5/16" Ball<br>13,000 lbs. GTW |



### ADJUSTABLE BALL MOUNT KIT WITH DUAL BALL

Quick, easy to adjust. Solid 2" shank platform fits 2" receivers. Works with pintle hook combo balls, clevis mounts and more. Includes a solid steel, 2-5/16" ball (14,000 lbs. GTW.) and a 2" ball (10,000 lbs. GTW).

- |         |       |             |
|---------|-------|-------------|
| 71-5260 | 33104 | 2" Receiver |
|---------|-------|-------------|





**The Switch Hitch by Husky® offers three ball sizes: 1-7/8", 2", 2-5/16"**

Quickly switch from one ball to another through a patented switching and locking mechanism.

## One quick switch. One tough hitch.

No fumbling between setups. The Switch Hitch by Husky® has a solid core with a swivel design making it faster to switch over than any other tri-ball trailer hitch.

2"/51mm ball  
6,000lbs./2722kg  
Gross Towing Weight



1-7/8"/48mm ball  
2,000lbs./907kg  
Gross Towing Weight

2-5/16"/59mm ball  
10,000lbs./4536kg  
Gross Towing Weight

US Patent No. 8366.133B2

### Standard Features:

- Powder Coated Finish
- Indexing Pin Design
- Grease Fitting
- Class IV Tested
- Patented 3-Ball Swivel System
- Limited Lifetime Warranty

71-8550 33140 Switch Hitch



**PULL**

Simply pull spring loaded pin to unlock switching mechanism.



**SWITCH**

Switch to the correct size ball and release locking pin.



**LOCK**

Correct size ball is now locked in place and ready to go!



### TRI-BALL ADJUSTABLE BALL MOUNT

- Chrome ball, zinc plated hardware
- Black powder-coat finish
- Head adjusts up and down on a reversible shank
- Anti-rattle adjustment bolt on the head
- Easy pull pin adjustment
- 1-7/8" Ball: 2,000 lb. capacity, 2" Ball: 6,000 lb. capacity and 2-5/16" Ball: 10,000 lb. capacity
- All hardware included
- Weight rating is limited to vehicle tow rating; see vehicle owner's manual

14-1113 30001 Tri-Ball adjustable mount



### TRIPLE TOW BALL MOUNT

- Black powder-coat finish
- 8" pin hole to 2-5/16" ball
- 7" pin hole to other balls
- 12" overall shank length
- 1-7/8" Hitch ball rating: 2,000 lb., 2" Hitch ball rating: 5,000 lb. and 2-5/16" Hitch ball rating: 10,000 lb.
- Class IV

14-1119 31349 Triple tow ball mount



### DOUBLE TOW BALL MOUNT

- Chrome ball, zinc plated hardware
- Black powder-coat finish
- 8" pin hole to ball center
- 2" trailer ball and 2-5/16" hitch ball rating 5,000 lb.
- Class III

14-1120 31354 Double tow ball mount

## SOLID STEEL HITCH BALLS

- Forged from a single piece of solid steel
- Durable chrome plated finish
- Various shank lengths
- Accommodates a variety of ball platform thicknesses
- Rated from Class I to Class IV
- Designed with "wrench flats" for ease of installation
- Tested to SAE J684 standards
- Includes lock-washer and nut

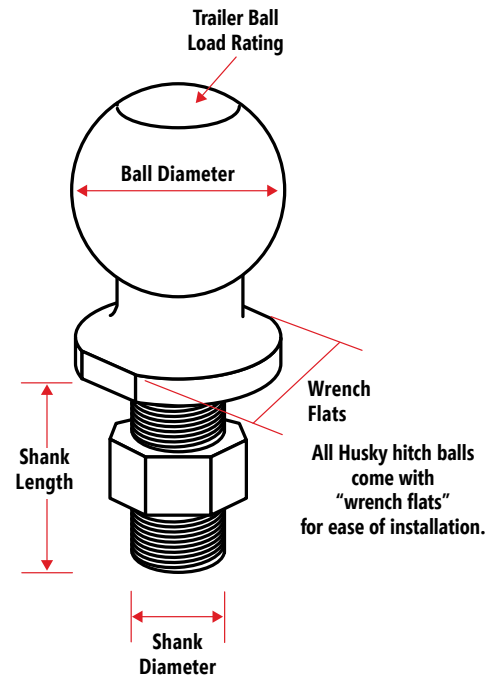


30601

PART #	MFG #	SHANK DIAMETER	SHANK LENGTH	MAX GROSS TRAILER WEIGHT	BALL PLATFORM	PKG/ BULK
<b>1-7/8" BALL DIAMETER</b>						
14-1057	34915	3/4"	1-3/4"	2,000lbs (907kg)	3/8"-3/4"	Pkg
14-1320	33844	3/4"	1-3/4"	2,000lbs (907kg)	3/8"-3/4"	Bulk
14-1053	33846	1"	2-1/8"	2,000lbs (907kg)	3/8"-3/4"	Bulk
<b>2" BALL DIAMETER</b>						
14-1059	34917	3/4"	1-3/4"	3,500lbs (1588kg)	3/8"-3/4"	Pkg
14-1321	33849	3/4"	1-3/4"	3,500lbs (1588kg)	3/8"-3/4"	Bulk
14-1322	33850*	3/4"	2-5/16"	3,500lbs (1588kg)	1/2"-1-3/8"	Bulk
14-1060	34918	1"	2-1/8"	6,000lbs (2722kg)	3/8"-3/4"	Pkg
14-1054	33851	1"	2-1/8"	6,000lbs (2722kg)	3/8"-3/4"	Bulk
14-1458	32913	1"	2-1/8"	7,500lbs (3402kg)	3/8"-3/4"	Bulk
14-1325	34924	1"	2-7/8"	6,000lbs (2722kg)	3/4"-1-3/4"	Pkg
14-1323	33852	1"	2-7/8"	6,000lbs (2722kg)	3/4"-1-3/4"	Bulk
14-1459	32914	1"	2-7/8"	7,500lbs (3402kg)	3/4"-1-7/8"	Bulk
14-1051	30601**	1"	N/A	5,000lbs (2268kg)	N/A	N/A
14-1055	33853	1-1/4"	2-5/8"	8,000lbs (3629kg)	1/2"-1"	Bulk
<b>2-5/16" BALL DIAMETER</b>						
14-1061	34919	1"	2-1/8"	6,000lbs (2722kg)	3/8"-3/4"	Pkg
14-1056	33855	1"	2-1/8"	6,000lbs (2722kg)	3/8"-3/4"	Bulk
14-1050	30255	1-1/4"	2-5/8"	12,000lbs (5443kg)	3/8"-1"	Pkg
14-1062	39386	1-1/4"	2-5/8"	12,000lbs (5443kg)	3/8"-1"	Bulk
14-1319	30678	1-1/4"	2-5/8"	14,000lbs (6350kg)	3/8"-1"	Bulk

\*Required for certain step bumper equipped pickups w/ball platforms thicker than 3/4". Always use a lock-washer and tighten nut with a torque wrench to proper torque.

\*\*Lift Height 1".



All Husky hitch balls come with "wrench flats" for ease of installation.

Follow these easy steps to properly determine the correct hitch ball for your application:

- Determine Ball & Coupler Size;** Most couplers are stamped with the required hitch ball size. The sizes you'll most likely find stamped in the coupler are: 1-7/8", 2", 2-5/16".
- Gross Trailer Weight (GTW);** Select the appropriate hitch ball to match or exceed the Gross Trailer Weight rating of the trailer.
- Match the Hitch Ball Shank to the Ball Platform Thickness & Hole Size;** When mounted in the ball platform, the threaded ball shank must protrude beyond the bottom of the lock washer and nut at least two threads.
- Hole Size;** The hitch ball shank must be matched to the platform hole diameter size. Standard hole sizes are: Class I: 3/4" diameter; Class II: 3/4" diameter; Class III/IV: 1" diameter; Weight Distribution: 1-1/4" diameter.

## HITCH BOX ADAPTERS AND ACCESSORIES



### 1-1/4" - 2" HITCH BOX ADAPTER

Install 2" accessories into a 1-1/4" hitch box.  
14-1117 32848 1-1/4" to 2" Adapter



### 2" - 1-1/4" HITCH BOX ADAPTER

Install 1-1/4" accessories into a 2" hitch box.  
14-1114 32849 2" to 1-1/4" Adapter



### 2" HITCH BOX EXTENSION

Extend a 2" hitch box an additional 12".  
14-1116 32850 2" Extension



### 3" - 2" REDUCER

72-7606 33129 3" to 2" Reducer



### 3" - 2.5" REDUCER

72-7607 33131 3" to 2.5" Reducer



### 2.5" - 2" REDUCER

72-7608 33133 2.5" to 2" Reducer



### LOCKING RECEIVER PINS

Locking trailer hitch pin with dust cap.

20-0558 34819 1/2" Pin Diameter  
Fits 1-1/4" Receivers  
72-5878 33159 5/8" Pin Diameter,  
Fits 2"-2-1/2" Receivers  
72-5879 33160 5/8" Pin Diameter,  
Super Duty  
Fits 3" Receivers



### HITCH PINS

Replacement pin and clip.

15-1492 34521 1/2" Pull Pin & Clip, Crd/1  
15-1472 33792 Spring Clip, Bulk  
14-1195 34853 Spring Clip Pkg/2  
15-1474 33253 1/2" Hitch Pin Only, Bulk  
15-1473 33790 5/8" Pin & Clip, Crd/1  
15-1569 33791 5/8" Pull Pin Only, Bulk



### 5TH WHEEL KING PIN LOCK

Protect your 5th wheel. Slide the U bracket into the grooved portion of the king pin and insert the lock pin.

72-5880 33161 5th Wheel King Pin Lock



### RECEIVER CAPS

Durable plastic caps protect and conceal receiver opening when not in use.

14-0980 38446 2" Pinned, Black  
14-0979 38445 2" Pinned, Chrome  
14-0978 38444 1-1/4" Push-in, Black  
14-0977 38443 2" Push-in, Black



### PIN COUPLER LOCK

- Easy to install theft-deterrent to protect your investment
- Fits most straight and A-frame coupler latches
- Solid die cast zinc body with high quality brass plated finish
- Weather-resistant brass 5-pin tumbler lock
- Convenient lock adjustment at every 1/4 turn of the key
- Quick and easy installation: no holes to drill and no tools required

20-0606 38958 Coupler Lock, 1/cd



### MAGNETIC TOWING LIGHTS

- Magnets come with an e-coated magnet cap to eliminate rust
- Includes plug cover to keep dirt and corrosion out
- Wired to industry standard 4-way flat connector
- Includes tow vehicle hook-up plug and 20' cord

18-0636 17929 Magnetic Towing Lights

## MAGNETIC TOW LIGHTS, TOW BAR & GOOSENECK PLATFORMS

### WIRELESS MAGNETIC TOW LIGHTS

- Long-lasting 100hr, rechargeable and tow ready
  - Designed with built-in, rechargeable batteries that work with a standard USB charger
  - Wireless 2.4GHz operation with 100' range
  - FCC, IC & DOT compliant
  - Designed for a standard 4-way trailer connector
  - Rare earth magnets provide a super strong hold
  - Easy to identify "Driver" and "Passenger" markings and battery strength indicators
  - Energy-efficient LED lights
  - Durable design with hermetically sealed, waterproof enclosure and tough polycarbonate lenses
  - Includes vehicle and wall charging adapters
- 62-5941 27929 Wireless Magnetic Tow Lights



Rechargeable 100hr lithium batteries with easy view battery strength indicators



Super strong rare earth magnet



### FOLDING TOW BAR

- Features a streamlined appearance
  - Heavy duty construction with adjustable arms
  - Easy installation and use; lightweight
  - Tow bar mounting brackets bolt securely to the vehicle bumper or frame attachment points
  - Connects and disconnects easily from the bumper mounting brackets
  - Safety chain loop attachments placed near the coupler and mounting bracket positions make for easy hook-up
  - The quick-latch coupler fits 2" trailer balls
- 14-1049 30508 Folding Tow Bar



Assembled



### OEM 35K GOOSENECK TRAILER BALL

- Use with Ford, RAM, GM and Nissan OEM towing package
  - 35,000 lb. towing capacity / 7,500 lb. tongue capacity
  - 2-5/16" ball fits FORD, GM, RAM and Nissan OEM gooseneck hitches
  - Easy installation
  - Chrome-plated; Made from 100% heat treated alloy steel for superior strength
  - Meets SAE J2638 gooseneck standards
- 71-5217 33055 OEM 35K Gooseneck Trailer Ball

### GOOSENECK FIXED BALL PLATFORMS

- Ideal for trucks that tow gooseneck trailers (livestock and equipment trailers)
- Includes safety chain attachments and a 2-5/16" ball
- Required center bolt kit included
- Built in safety chain attachments
- 25,000 lb. capacity
- Base rails sold separately

14-1143 31368 Fixed Ball Gooseneck Hitch  
14-1249 30686 Base Rail



## 5TH WHEEL HITCHES FOR OEM PUCK SYSTEMS

### 16KS SERIES FOR FORD, RAM & GM

- Use with factory 5th wheel/gooseneck prep package
- Dual pivot head
- Includes pop-out safety indicator for safe hookup
- Features a self-locking handle & slide bar jaw
- Powder-coated finish and zinc-plated fasteners
- Meets SAEJ2638 5th wheel standards



Ford® Upright Shown

### 16KW SERIES FOR FORD, RAM & GM

- Use with factory 5th wheel/gooseneck prep package
- Fully articulating head
- Includes pop-out safety indicator for safe hookup
- Features a self-locking handle and patented anti-walk wraparound jaw
- Powder-coated finish and zinc-plated fasteners
- Meets SAEJ2638 5th wheel standards



RAM® Upright Shown

### 26KW SERIES FOR FORD, RAM & GM

- Use with factory 5th wheel/gooseneck prep package
- Fully articulating head
- Includes pop-out safety indicator for safe hookup
- Features a self-locking handle and patented anti-walk wraparound jaw
- Powder-coated finish and zinc-plated fasteners
- Meets SAEJ2638 5th wheel standards



GM®/Chevy® Upright Shown

PART #	MFG #	MODEL	SERIES	WEIGHT CARRYING	TONGUE CAPACITY	BED SIZE
81-0831	33018K	Ford 250/350/450 2011-2019	16KS	16,000 lb	4,000 lb	Long bed
81-0832	33013K	Ford 250/350/450 2011-2019	16KW	16,000 lb	4,000 lb	Long bed
81-0835	33017K	Ford 250/350/450 2011-2019	26KW	26,000 lb	6,500 lb	Long bed
72-4429	33151K	GM 2500/3500 2016-2019	16KS	16,000 lb	4,000 lb	Long bed
72-4430	33152K	GM 2500/3500 2016-2019	16KW	16,000 lb	4,000 lb	Long bed
72-4431	33153K	GM 2500/3500 2016-2019	26KW	26,000 lb	6,500 lb	Long bed
81-0833	33012K	RAM 2500/3500 2013-2019	16KS	16,000 lb	4,000 lb	Long bed
81-0834	33011K	RAM 2500/3500 2013-2019	16KW	16,000 lb	4,000 lb	Long bed
81-0836	33021K	RAM 2500/3500 2013-2019	26KW	26,000 lb	6,500 lb	Long bed

Short Bed trucks with OEM Puck Systems need to use Husky Roller or Glider with vehicle specific OEM Adapters.

## OEM 5TH WHEEL PUCK ADAPTERS, UPRIGHTS & CROSSMEMBERS



Use with GM<sup>®</sup> and Chevrolet<sup>®</sup> trucks

### GM<sup>®</sup>/CHEVROLET<sup>®</sup> OEM 5TH WHEEL PUCK ADAPTER

- Use with factory GM/Chevrolet 5th wheel/gooseneck hitch prep package
- 16,000 lb. weight carrying / 4,000 lb. tongue capacity
- Powder-coated finish with zinc-plated fasteners
- Meet SAE J2638 5th wheel standards
- For use with most industry 16K 5th wheel hitches with 20-5/8" footprint
- Pucks and feet are made from 100% heat treated alloy steel for superior strength

92-0051 33056 GM/Chevrolet Puck Adapter



Use with RAM<sup>®</sup> trucks

### RAM<sup>®</sup> OEM 5TH WHEEL UPRIGHTS FOR PUCK SYSTEM

- Use with factory RAM 5th wheel/gooseneck towing prep package
- Powder-coated finish with zinc-plated fasteners
- Can be used with Husky 16KS, 16KW & 26KW 5th wheel hitches
- Pucks and feet are made from 100% heat treated alloy steel for superior strength

41-0103 33000 RAM OEM Uprights



Use with GMC<sup>®</sup> trucks

### GM<sup>®</sup> OEM 5TH WHEEL UPRIGHTS FOR PUCK SYSTEM

- Use with factory GMC 5th wheel/gooseneck towing prep package
- Powder-coated finish with zinc-plated fasteners
- Can be used with Husky 16KS, 16KW & 26KW 5th wheel hitches
- Pucks and feet are made from 100% heat treated alloy steel for superior strength

71-8341 33118 GM OEM Uprights



Use with RAM<sup>®</sup> trucks

### RAM<sup>®</sup> OEM 5TH WHEEL PUCK ADAPTER

- Use with factory RAM 5th wheel/gooseneck towing prep package
- 24,000 lb. weight carrying / 6,000 lb. tongue capacity
- Powder-coated finish with zinc-plated fasteners
- Meet SAE J2638 5th wheel standards
- For use with most industry 16K 5th wheel hitches with 20-5/8" footprint
- Pucks and feet are made from 100% heat treated alloy steel for superior strength

71-5038 33009 RAM Puck Adapter



Use with RAM<sup>®</sup> trucks

### RAM<sup>®</sup> OEM 5TH WHEEL DUAL PUCK ADAPTER

- Use with factory RAM 5th wheel/gooseneck towing prep package
- 24,000 lb. weight carrying / 6,000 lb. tongue capacity
- Powder-coated finish with zinc-plated fasteners
- Meet SAE J2638 5th wheel standards
- For use with most industry 16K 5th wheel hitches with 20-5/8" and 29" footprint
- Pucks and feet are made from 100% heat treated alloy steel for superior strength

72-3787 33146 RAM Dual Puck Adapter



Use with Ford<sup>®</sup> trucks

### FORD<sup>®</sup> OEM 5TH WHEEL UPRIGHTS FOR PUCK SYSTEM

- Use with factory Ford 5th wheel/gooseneck hitch prep package
- Powder-coated finish with zinc-plated fasteners
- Can be used with Husky 16KS, 16KW & 26KW 5th wheel hitches
- Pucks and feet are made from 100% heat treated alloy steel for superior strength

41-0105 32997 Ford OEM Uprights



Use with Ford<sup>®</sup> trucks

### FORD<sup>®</sup> OEM 5TH WHEEL PUCK ADAPTER

- Use with factory Ford 5th wheel/gooseneck hitch prep package
- 16,000 lb. weight carrying / 4,000 lb. tongue capacity
- Powder-coated finish with zinc-plated fasteners
- Meet SAE J2638 5th wheel standards
- For use with most industry 16K 5th wheel hitches with 20-5/8" footprint
- Pucks and feet are made from 100% heat treated alloy steel for superior strength

71-8349 33117 Ford Puck Adapter for Glider & Roller Hitches



### 16KW / 26KW CROSSMEMBER

- 26,000 lb. weight carrying / 6,500 lb. tongue capacity
- Easy installation; Use with factory RAM, Ford & GM OEM 5th wheel/gooseneck prep packages
- Powder coated finish with zinc plated fasteners and socket head fasteners for long service life
- Meets SAE J2638 5th wheel standards
- Fits with: 31581, 31578, 32997, 33000, and 33054; Weight 67 lbs. and dimensions: 25.25" x 8.25" x 7.25"

41-0106 32998 16KW/26KW



### 16KS CROSSMEMBER

- 16,000 lb. weight carrying / 4,000 lb. tongue capacity
- Easy installation; Use with factory RAM, Ford & GM OEM 5th wheel/gooseneck prep packages
- Powder coated finish with zinc plated fasteners for long service life
- Meets SAE J2638 5th wheel standards
- Fits with: 31453, 32997, 33000, and 33054; Weight 26 lbs. and dimensions: 25.2" x 7.3" x 10.5"

41-0102 32999 16KS Crossmember



## 16KS 5TH WHEEL HITCH

- 16,000 lb. weight carrying / 4,000 lb. tongue capacity
- Dual pivot head
- Includes pop-out safety indicator for safe hookup
- Features a self-locking handle & slide bar jaw
- Powder-coated finish and zinc-plated fasteners
- Meets SAEJ2638 5th wheel standards
- Requires 5th wheel trailer hitch mounting kit

14-1715	31664KIT	16KS & 16K Uprights
14-1717	31665KIT	16KS & 16K Glider
14-1716	32354KIT	16KS & 16K Roller
15-9315	33169K	16KS & 26K HD Roller



## 16KW 5TH WHEEL HITCH

- 16,000 lb. weight carrying / 4,000 lb. tongue capacity
- Fully articulating head
- Includes pop-out safety indicator for safe hookup
- Features a self-locking handle
- Patented anti-walk wraparound jaw
- Improved crossmember with castle nut
- Powder-coated finish and zinc-plated fasteners
- Meets SAEJ2638 5th wheel standards
- Requires 5th wheel trailer hitch mounting kit

14-1718	31666KIT	16KW & 16K Uprights
14-1719	31667KIT	16KW & 16K Glider
14-1720	32392KIT	16KW & 16K Roller
15-9316	33170K	16KW & 26K HD Roller



## 26KW 5TH WHEEL HITCH

- 26,000 lb. weight carrying / 6,500 lb. tongue capacity
- Fully articulating head
- Includes pop-out safety indicator for safe hookup
- Features a self-locking handle
- Patented anti-walk wraparound jaw
- Improved crossmember with castle nut
- Powder-coated finish and zinc-plated fasteners
- Meets SAEJ2638 5th wheel standards
- Requires 5th wheel trailer hitch mounting kit

14-1733	31668KIT	26KW & 26K Uprights
14-1734	31690KIT	26KW & 26K Glider
15-9317	33171K	26KW & 26K HD Roller

## 16K 5TH WHEEL HITCH ROLLER

- 16,000 lb. weight carrying / 4,000 lb. tongue capacity
- Provides 9" of travel needed truck-to-trailer clearance for low speed maneuvers
- Installs with just four pins and clips
- Lift adjustments lets you minimize the distance between the wheels and the rails for smooth operation and less noise
- Works in the base rail slots spaced 20-5/8" apart (base rails not included)
- Includes center bolt kit
- Meets SAE J2638 5th Wheel Standards

15-1449 32220 16K 5th Wheel Hitch Roller  
45-0080 32059 Center Bolt Kit



## 16K 5TH WHEEL HITCH GLIDER

- 16,000 lb. weight carrying / 4,000 lb. tongue capacity
- Provides 10" of travel; providing clearance during low speed maneuvering.
- Installs with just four pins and clips
- Moves on high-tech composite glide rails for quiet operation
- Rails are UV and corrosion resistant, and virtually maintenance free
- Works in the base rail slots spaced 20-5/8" apart (base rails not included)
- Use center bolt kit 32059 for proper installation (included)
- Patented "no bind" handle allows for easy no jamming or binding operation
- T-Handle allows for comfortable ergonomics and ease of usage.
- Patented mechanism allows for consistent handle operation. No more fighting the weight of the trailer.
- Meets SAE J2638 5th Wheel Standards

14-1327 31196 16K 5th Wheel Hitch Glider



## 26K 5TH WHEEL HITCH HD ROLLER

- 26,000 lb. weight carrying / 6,500 lb. tongue capacity
- Provides 10" of travel; providing clearance during low speed maneuvering.
- Balanced foot print design; Large handle for more ergonomic grip
- Includes center bolt kit for strength
- Meets SAE J2638 5th wheel standards
- Powder coated finish with zinc plated fasteners
- Can be used with Husky 16KS, 16KW, or 26KW 5th wheel heads
- Works in the base rail slots spaced 20-5/8" apart (base rails not included)
- No operating handle interference
- Height adjustments 15-1/4" to 18-5/8"
- Meets SAE J2638 5th Wheel Standards

72-3785 33143 26K 5th Wheel Hitch HD Roller



## 26K 5TH WHEEL HITCH GLIDER

- 26,000 lb. weight carrying / 6,500 lb. tongue capacity
- Provides 10" of travel needed truck-to-trailer clearance for low speed maneuvers
- Installs with just four pins and clips
- Moves on high-tech composite glide rails for quiet operation
- Rails are UV and corrosion resistant, and virtually maintenance free
- Works in the base rail slots spaced 20-5/8" apart (base rails not included)
- Use center bolt kit 32059 for proper installation (included)
- Patented mechanism allows for consistent handle operation. No more fighting the weight of the trailer.
- T-Handle allows for comfortable ergonomics and ease of usage.
- Patented "no bind" handle allows for easy no jamming or binding operation

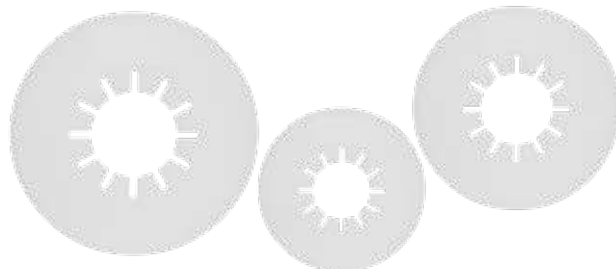
14-1144 32042 26K 5th Wheel Hitch Glider



## FIFTH WHEEL LUBE DISCS

- Prevents scratches to the hitch head
- Makes coupling to the trailer a little smoother
- Prevents friction without grease
- Slip lube disc onto the pin; fits all types of 5th wheel trailers

14-0974 33862 Lube Disc, 8"  
14-0976 34914 Lube Disc, 10"  
14-0973 32256 Lube Disc, 12"





## CENTER LINE<sup>TS</sup>



**Weight distribution and sway control  
in a single unit!**

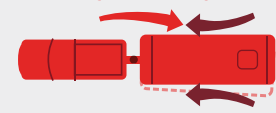
The Center Line TS was in development by Husky's engineering team for nearly three years. We brought advanced design, the latest in technology and materials science to a product that greatly improves the towing experience. Center Line TS replaces products that have been relatively unchanged for more than two decades. The result is a dramatic change in weight distribution systems on the market today. Integrating weight distribution and sway control, the Center Line TS delivers superior performance and resolves many of the shortcomings of older technology products.

### WEIGHT DISTRIBUTION AND SWAY CONTROL ENGINEERED TO PERFORM!

- The Center Line TS top plate is forged 1035 steel. Forged 1035 produces a much stronger hitch with excellent fatigue properties.
- The trunnions are heat treated, hardened alloy steel which ensures exceptional strength and wear properties.
- Tapered spring bars deliver a superior fit and appearance; Superior fit delivers superior sway control.
- Combines weight distribution and sway control in a single unit.
- Universal EZ Adjust frame brackets for easy installation and adjustment
- Exacting tolerances in spring bar, head and lift brackets: The Center Line TS reacts to trailer sway conditions earlier than competing products & delivers a smoother, quieter ride.
- None of the noise problems other WD/sway products have – it's quiet.
- Forged and hardened steel components deliver excellent long-term durability and service.
- Hitch ball is factory pre-installed and properly torqued.
- Significantly lighter weight than competing products.
- Handle can be used to hook up and remove bars.
- Frame brackets work with 4" - 8" tall frames
- No need for additional hardware.
- Outstanding performance – drive it and see!
- Limited lifetime warranty

### Active Sway Control:

With Husky Active Sway Control:



Without Active Sway Control:



### CENTER LINE<sup>TS</sup>

Combines weight distribution and sway control in a single unit without additional hardware. Hitch ball is factory installed and tightened to the correct torque specifications. Includes universal frame brackets for easy installation and adjustment. Each kit contains everything necessary to install this hitch – no separate components!

NTP/STAG No.	Mfg. No.	Tongue Weight Range	Hitch Ball Size	Gross Trailer Weight
14-1258	32215	400-600 lbs.	2" Ball	Up to 6,000 lbs.
14-1259	32216	400-600 lbs.	2-5/16" Ball	Up to 6,000 lbs.
14-1263	32217	600-800 lbs.	2-5/16" Ball	Up to 8,000 lbs.
14-1266	32218	800-1200 lbs.	2-5/16" Ball	Up to 12,000 lbs.
71-5253	33092	800-1200 lbs.	2-5/16" Ball w/o Shank*	Up to 12,000 lbs.
92-0004	33039	1000-1400 lbs.	2-5/16" Ball	Up to 14,000 lbs.

\*Alternate shank sizes available for taller vehicles

## ROUND BAR WEIGHT DISTRIBUTION



### WEIGHT DISTRIBUTION HITCHES

Ready for safe towing right out of the box! Comes with the same features as the Round Bar Weight Distribution Hitch Kit, PLUS a dual friction, sway control system that diminishes sway from windy conditions and passing vehicles, and a pre-assembled and torqued hitch ball and sway control ball.

### WEIGHT DISTRIBUTION KIT

Features a bolt-together ball mount / 10" shank assembly for 2" applications, dual sway control platform for greater coupler clearance, chains and assembly hardware. 8" height adjustment. (rise: 6-1/4"; drop: 1-3/4"). 1-1/4" hole-on-head assembly requires 1-1/4" shank on hitch ball. \*2-1/2" x 2" shank. Balls not included.

NTP/STAG No.	Mfg. No.	Tongue Weight Range	Gross Trailer Weight	Pre-torqued Ball	Includes Sway Control	Includes 2" x 2" Shank
--------------	----------	---------------------	----------------------	------------------	-----------------------	------------------------

#### ROUND BAR WEIGHT DISTRIBUTION KITS

14-1074	31995	400-600 lbs.	6,000 lbs.	2"	YES	YES
14-1466	31986	400-600 lbs.	6,000 lbs.	2-5/16"	YES	YES
14-1081	31997	500-800 lbs.	8,000 lbs.	2-5/16"	YES	YES
14-1256	30849	800-1,200 lbs.	12,000 lbs.	2-5/16"	YES	YES
71-5254	33093	800-1,200 lbs.	12,000 lbs.	2-5/16"	YES	NO

#### ROUND BAR WEIGHT DISTRIBUTION HITCHES

14-1067	31421	400-600 lbs.	6,000 lbs.	NO	NO	YES
14-1069	31422	500-800 lbs.	8,000 lbs.	NO	NO	YES
14-1027	31423	800-1,200 lbs.	12,000 lbs.	NO	NO	YES
14-1070	31425	1,000-1,400 lbs.	14,000 lbs.	NO	NO	YES
14-1028	32464	1,000-1,400 lbs.	14,000 lbs.	NO	NO	2-1/2" x 2"

## TRUNNION BAR WEIGHT DISTRIBUTION



### WEIGHT DISTRIBUTION HITCHES

Ready for safe towing right out of the box! Comes with the same features as the Trunnion Bar Weight Distribution Hitches, PLUS a dual friction, sway control system that diminishes sway from windy conditions and passing vehicles, and a pre-assembled and torqued hitch ball and sway control ball. Hitch ball is 2-5/16" x 1-1/4" 12,000 lbs.

### WEIGHT DISTRIBUTION KIT

Features a bolt-together hitch head and 10" shank assembly, raised ball platform for greater coupler clearance and turning radius and a built-in dual sway control platform. Fits all Class III / IV 2" receivers. 8" of height adjustment (rise: 7-1/2"; drop: 1"). 1-1/4" hole-on-head assembly. Requires 1-1/4" shank on hitch ball. Balls not included. 5 year limited warranty.

NTP/STAG No.	Mfg. No.	Tongue Weight Range	Gross Trailer Weight	Pre-torqued Ball	Includes Sway Control	Includes 2" x 2" Shank
--------------	----------	---------------------	----------------------	------------------	-----------------------	------------------------

#### TRUNNION BAR WEIGHT DISTRIBUTION KITS

14-1072	31620	600-800 lbs.	8,000 lbs.	2-5/16"	YES	YES
14-1073	31621	800-1,200 lbs.	12,000 lbs.	2-5/16"	YES	YES

#### TRUNNION BAR WEIGHT DISTRIBUTION HITCHES

14-1065	31331	500-800 lbs.	8,000 lbs.	NO	NO	YES
14-1066	31335	800-1,200 lbs.	12,000 lbs.	NO	NO	YES

## SWAY CONTROL KITS AND COMPONENTS

Diminishes lateral trailer movement in windy conditions and from passing vehicles. Dual friction brake pad system provides constant and adjustable sway reduction. Detaches quickly for storage. Secures with socket & spring clip connectors. Select from a complete left or right kit or build your own kit

### COMPLETE KIT:

- 14-1253 34715 Right Hand Kit
- 14-1254 37498 Left Hand Kit

**Note:** For trailers 24' and longer, the use of both right hand and left hand sway controls is recommended.

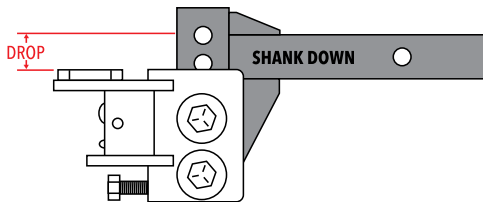
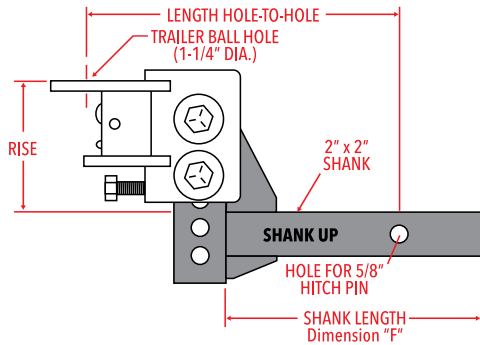
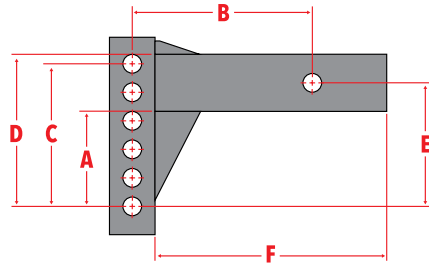
### COMPONENTS:

- |         |       |                        |         |       |                                  |
|---------|-------|------------------------|---------|-------|----------------------------------|
| 14-1193 | 34845 | Weld-on Ball Mount Bar | 14-1255 | 38964 | Clamp-on Sway Control Ball Mount |
| 14-1330 | 34846 | Slide Bar              | 14-0792 | 39585 | Ball Mount Adapter               |
| 14-1194 | 34847 | Crank Handle           | 14-1052 | 33842 | Sway Control Ball                |
| 14-1192 | 34842 | Tongue Ball Plate      | 14-1196 | 71195 | Screws, 8/pkg                    |
| 14-1195 | 34853 | Spring Clip            |         |       |                                  |



## WEIGHT DISTRIBUTION HITCH SHANKS

Slides into your hitch receiver and provides the attachment point for your weight distribution. All WD hitches other than 32464 come with the 2" x 2" 31518 shank. The 32464 round bar hitch comes with the 2.5" x 2" 32459 shank.



PART #	MFG #	DIMENSION A	DIMENSION B	DIMENSION C	DIMENSION D	DIMENSION E	DIMENSION F
--------	-------	-------------	-------------	-------------	-------------	-------------	-------------

2" x 2" Welded Shanks							
14-1303	31518	4-1/4"	7-3/4"	6-1/4"	6-1/4"	5-1/4"	10"
14-1315	30857	7-1/2"	7-3/4"	6-1/4"	9-1/2"	8-1/2"	10"
14-1317	30859	11-1/4"	9-3/4"	5"	N/A	12-1/4"	12"
14-0995	30856	4-1/4"	11-3/4"	6-1/4"	6-1/4"	5-1/4"	14"
14-1316	30858	7-1/2"	11-3/4"	6-1/4"	9-1/2"	8-1/2"	14"

2.5" x 2" Welded Shanks							
71-3625	32459	4-1/4"	7-3/4"	6-1/4"	6-3/4"	5-1/2"	10"
71-3627	32554	7-1/2"	7-3/4"	6-1/4"	10"	8-3/4"	10"
71-3626	32550	11-1/4"	9-3/4"	6-1/4"	N/A	12-1/2"	12"
71-5206	32552	4-1/4"	9-3/4"	6-1/4"	6-3/4"	5-1/2"	12"
71-5207	32553	4-1/4"	11-3/4"	6-1/4"	6-3/4"	5-1/2"	14"
71-5208	32555	7-1/2"	11-3/4"	6-1/4"	10"	8-3/4"	14"

**Note:** Weight carrying capacity of shanks listed above is 6,000 lbs. maximum and weight distribution is 14,000 lbs. maximum.

PART #	MFG #	TYPE	SHANK LENGTH	RISE	DROP	HOLE TO HOLE LENGTH
--------	-------	------	--------------	------	------	---------------------

SHANK USAGE: ROUND BAR WEIGHT DISTRIBUTION						
14-1303	31518	2x2 W	10"	6-1/4"	1-3/4"	12-1/8"
14-1315	30857	2x2 W	10"	9-1/2"	5"	12-1/8"
14-1317	30859	2x2 W	12"	N/A	8-3/4"	14-1/8"
14-0995	30856	2x2 W	14"	6-1/4"	1-3/4"	16-1/8"
14-1316	30858	2x2 W	14"	9-1/2"	5"	16-1/8"
71-3625	32459	2.5x2 W	10"	6-1/4"	2-1/4"	12-1/8"
71-3627	32554	2.5x2 W	10"	9-1/2"	5-1/2"	12-1/8"
71-3626	32550	2.5x2 W	12"	N/A	9-1/4"	14-1/8"
71-5206	32552	2.5x2 W	12"	6-1/4"	2-1/4"	14-1/8"
71-5207	32553	2.5x2 W	14"	6-1/4"	2-1/4"	16-1/8"
71-5208	32555	2.5x2 W	14"	9-1/2"	5-1/2"	16-1/8"

PART #	MFG #	TYPE	SHANK LENGTH	RISE	DROP	HOLE TO HOLE LENGTH
--------	-------	------	--------------	------	------	---------------------

SHANK USAGE: TRUNNION BAR WEIGHT DISTRIBUTION						
14-1303	31518	2x2 W	10"	7-1/2"	1"	12-3/8"
14-1315	30857	2x2 W	10"	10-3/4"	3-3/4"	12-3/8"
14-1317	30859	2x2 W	12"	N/A	7-1/2"	14-3/8"
14-0995	30856	2x2 W	14"	7-1/2"	1/2"	16-3/8"
14-1316	30858	2x2 W	14"	10-3/4"	3-3/4"	16-3/8"
71-3625	32459	2.5x2 W	10"	7-1/2"	1"	12-3/8"
71-3627	32554	2.5x2 W	10"	10-3/4"	4-1/4"	12-3/8"
71-3626	32550	2.5x2 W	12"	N/A	8"	14-3/8"
71-5206	32552	2.5x2 W	12"	7-1/2"	1"	14-3/8"
71-5207	32553	2.5x2 W	14"	7-1/2"	1"	16-3/8"
71-5208	32555	2.5x2 W	14"	10-3/4"	4-1/4"	16-3/8"

PART #	MFG #	TYPE	SHANK LENGTH	RISE	DROP	HOLE TO HOLE LENGTH
--------	-------	------	--------------	------	------	---------------------

SHANK USAGE: CENTER LINE TS						
14-1303	31518	2x2 W	10"	6-5/8"	1-3/8"	12-5/8"
14-1315	30857	2x2 W	10"	9-7/8"	4-5/8"	12-5/8"
14-1317	30859	2x2 W	12"	N/A	8-3/8"	14-5/8"
14-0995	30856	2x2 W	14"	6-5/8"	1-3/8"	16-5/8"
14-1316	30858	2x2 W	14"	10-3/4"	4-5/8"	12-1/4"
71-3625	32459	2.5x2 W	10"	6-5/8"	1-7/8"	12-5/8"
71-3627	32554	2.5x2 W	10"	9-7/8"	5-1/8"	12-5/8"
71-3626	32550	2.5x2 W	12"	N/A	8-7/8"	14-5/8"
71-5206	32552	2.5x2 W	12"	6-5/8"	1-7/8"	14-5/8"
71-5207	32553	2.5x2 W	14"	6-5/8"	1-7/8"	16-5/8"
71-5208	32555	2.5x2 W	14"	9-7/8"	5-1/8"	16-5/8"

## STRAIGHT TRAILER COUPLERS

- For safe towing of trailers requiring 1-7/8" and 2" couplers
- Built to the highest industry standards: tested and certified to VESC V-5 and SAE J684 standards
- Includes safety pin and retainer chain to keep the ball clamp in a locked position
- The quick release assembly allows for fast and safe locking and unlocking of the ball clamp enabling faster hook-up and disconnect



Retainer chain

87072

## STRAIGHT TRAILER COUPLERS

PART #	MFG #	BALL SIZE	INSIDE WIDTH	MAX GROSS TRAILER WEIGHT
15-1580	87070	1-7/8"	2"	2,000lbs (907kg)
15-1581	87071	1-7/8"	2-1/2"	2,000lbs (907kg)
45-0048	87072	1-7/8"	3"	2,000lbs (907kg)
14-1091	87073	2"	2"	3,500lbs (1588kg)
14-1093	87074	2"	2-1/2"	3,500lbs (1588kg)
14-1099	87075	2"	3"	3,500lbs (1588kg)
14-1103	87076	2"	3"	6,000lbs (2722kg)



87083

Coupler Repair Kit

## COUPLER REPAIR KITS

PART #	MFG #	DESCRIPTION
14-1109	87082	Coupler Repair Kit for 1-7/8" Couplers, 2,000lbs. (907kg)
14-1111	87083	Coupler Repair Kit for 2" Couplers, 3,500lbs. (1588kg)
14-1112	87084	Coupler Repair Kit for 2" Couplers, 6,000lbs. (2722kg)

## A-FRAME TRAILER COUPLERS

- Designed to be welded to trailers with 50 degree A-frame tongues
- Rated for SAE Class III, IV & V applications
- Includes a jack mount cutout that accepts all A-frame tongue jacks
- Many include a chain to eliminate loss of the safety pin



87077



87079

## A-FRAME TRAILER COUPLERS

PART #	MFG #	DESCRIPTION
15-1582	87077	2" A-Frame Coupler with Chain, 5,000lbs. (2268kg)
14-1105	87079	2" A-Frame Coupler, Flat Lock, 5,000lbs. (2268kg)
14-1107	87080	2" A-Frame Coupler, 10,000lbs. (4536kg)
14-1108	87081	2" A-Frame Coupler, 14,000lbs. (6350kg)



87080, 87081

Note: Tow rating is limited to the lowest rated component of the system; see Vehicle Owner's Manual.

## HUSKY® ELECTRIC BRAKE ASSEMBLY KITS

### FOR AXLE TEK, DEXTER, FAYETTE, HAYES & ALKO ELECTRIC BRAKES

Save time and money by installing Husky Brake Assemblies. Why replace shoes, magnets, springs, adjusters, etc.? If you have to replace two or more of these components, it is easier and more economical to install the complete assembly. With Husky, you get back on the road fast!

Reduce precious time and aggravation on difficult brake repairs by using Husky easy to install complete brake assembly kits. These CSA certified kits provide durability, and reliability in braking performance. These kits fit Axle Tek, Dexter, Fayette, and Hayes, with these flange patterns: 3" hole diameter x 4-holes x 4" bolt center on 7" and 10" brakes; 3.25" hole diameter x 5-holes x 3.88" bolt center on 12" brakes. All kits are individually boxed.



30788



30788

### ELECTRIC BRAKE ASSEMBLY KITS

#### 7" x 1.25", 600-2,200 lb. Rated Axle Capacity

NTP/STAG #	Husky Part #	Description
21-0094	30789	Complete Brake Assembly LH
21-0095	30788	Complete Brake Assembly RH (shown at left)

#### 10" x 2.25", 2,300-3,500 lb. Rated Axle Capacity

NTP/STAG #	Husky Part #	Description
21-0058	30793	Complete Brake Assembly LH
21-0059	30794	Complete Brake Assembly RH

#### 12" x 2", 4,000-6,000 lb. Rated Axle Capacity

NTP/STAG #	Husky Part #	Description
21-0066	30799	Complete Brake Assembly LH
21-0093	30800	Complete Brake Assembly RH

#### 12" x 2", 7,000 lb. Rated Axle Capacity

NTP/STAG #	Husky Part #	Description
21-0064	30797	Complete Brake Assembly LH
21-0065	30798	Complete Brake Assembly RH

## HUSKY® HYDRAULIC BRAKE ASSEMBLY KITS

### FOR AXLE TEK, ATWOOD, ALKO, DEXTER HYDRAULIC BRAKES

Easy installation and interchangeability are just two features that rate Husky Uni-servo hydraulic brake assemblies among the best in the industry. These assemblies interchange with most major brands of axles, without modifying the axle or mounting flange. These assemblies also interchange with Atwood, Axle Tek, and Dexter hydraulic brake assemblies. Hub Pattern: 3" x 4-holes on 10" brakes; 3.25" x 5-holes on 12" brakes. All kits are individually boxed.



30786

### HYDRAULIC BRAKE ASSEMBLY KITS

#### 10" x 2.25", 3,500 lb. Rated Axle Capacity

NTP/STAG #	Husky Part #	Description
21-0108	30785	Complete Brake Assembly LH, Black Painted
21-0109	30784	Complete Brake Assembly RH, Black painted

#### 12" x 2", 6,000 lb. Rated Axle Capacity

NTP/STAG #	Husky Part #	Description
21-0072	30786	Complete Brake Assembly LH, Black Painted (shown at left)
21-0073	30787	Complete Brake Assembly RH, Black painted

## HUSKY<sup>®</sup> ELECTRIC BRAKE ASSEMBLY

### FOR AXLE TEK OR DEXTER

Complete assembly. Fits or replaces Axle Tek or Dexter. All assemblies are individually boxed.

#### ELECTRIC BRAKE ASSEMBLY

##### 10" x 2.25", 4,400 lb. Rated Axle Capacity

NTP/STAG #	Husky Part #	Description
21-0074	32559	Complete Brake Assembly LH, Standard Wire (Red) (shown at right)
21-0075	32560	Complete Brake Assembly RH, Standard Wire (Red)



32559

## HUSKY<sup>®</sup> SELF-ADJUSTING ELECTRIC BRAKE ASSEMBLIES

### FOR AXLE TEK OR DEXTER

Complete assembly. Fits or replaces Axle Tek or Dexter. All assemblies are individually boxed.

#### SELF-ADJUSTING ELECTRIC BRAKE ASSEMBLIES

##### 10" x 2.25", 3,500 lb. Rated Axle Capacity

NTP/STAG #	Husky Part #	Description
21-0061	32288	Complete Brake Assembly LH
21-0062	32289	Complete Brake Assembly RH

##### 10" x 2.25", 4,400 lb. Rated Axle Capacity

NTP/STAG #	Husky Part #	Description
21-0076	32561	Complete Brake Assembly LH, Standard Wire (Red) (shown at right)
21-0077	32562	Complete Brake Assembly RH, Standard Wire (Red) (shown at right)



32561

##### 12" x 2", 6,000 lb. Rated Axle Capacity

NTP/STAG #	Husky Part #	Description
21-0070	32292	Complete Brake Assembly LH
21-0071	32293	Complete Brake Assembly RH

##### 12" x 2", 7,000 lb. Rated Axle Capacity

NTP/STAG #	Husky Part #	Description
21-0068	32290	Complete Brake Assembly LH
21-0069	32291	Complete Brake Assembly RH



32562

## HUSKY® ELECTRIC BRAKE KIT

### FOR AXLE TEK OR DEXTER

- Automotive-grade friction material molded to brake shoes
- Pads are fully bonded to shoes for long life and more braking torque
- Less chance of cracking and crumbling that can lead to mechanical lockup, thanks to tapered edge and circular grinding
- E-coated backing plate resists wear and corrosion
- Limited 1 year warranty

Complete assembly. Fits or replaces Axle Tek or Dexter. All assemblies are individually boxed.



33074

### ELECTRIC BRAKE KIT

#### 12.25" x 3.375", 4-Bolt, 8,000 lb. Axle Capacity

NTP/STAG #	Husky Part #	Description
71-5235	33074	Complete Brake Assembly LH, Standard Wire (Red) (shown at left)
71-5257	33096	Bulk
71-5236	33075	Complete Brake Assembly RH, Standard Wire (Red)
71-5256	33095	Bulk

## HUSKY® GENERAL DUTY SELF-ADJUSTING ELECTRIC BRAKE ASSEMBLIES

### FOR AXLE TEK OR DEXTER

Complete assembly. Fits or replaces Axle Tek or Dexter. All assemblies are individually boxed.



33076

### SELF-ADJUSTING ELECTRIC BRAKE ASSEMBLIES

#### 12.25" x 3.375", 6-Bolt, 10,000 lb. Axle Capacity

NTP/STAG #	Husky Part #	Description
71-5237	33076	Complete Brake Assembly LH, Standard Wire (Red) (shown at left)
71-5258	33097	Bulk
71-5238	33077	Complete Brake Assembly RH, Standard Wire (Red) (shown at left)
71-5259	33098	Bulk

#### 12.25" x 5", 6-Bolt, 12,000 lb. Axle Capacity

NTP/STAG #	Husky Part #	Description
71-5239	33078	Complete Brake Assembly LH, Standard Wire (Red)
71-5240	33079	Complete Brake Assembly RH, Standard Wire (Red)



33077

Brakes manufactured by Axle Technology for Husky are CSA Certified (CSA master contract #239634)

## HUSKY<sup>®</sup> IDLER HUB KITS

### FOR AXLE TEK OR DEXTER

- Black paint finish
- Trailer hub-and-drum assembly provides gripping area when the brake shoes are activated
- Compatible with electric and hydraulic drum brakes
- Zinc and paint blended coating for durability
- Corrosion resistant, zinc finished pressed in studs
- Limited 1 year warranty



### 2,000 lb. IDLER HUB KITS

#### 4-4.00; L44610/L44610; Black push-in studs

NTP/STAG #	Husky Part #	Description
71-5241	33080	Idler Hub Kit, 2,000 lbs (shown at right)

#### 5-4.50; L44610/L44610; Black push-in studs; Standard Flange

71-5242	33081	Idler Hub Kit, 2,000 lbs
---------	-------	--------------------------

#### 5-4.50; L44610/L44610; Black push-in studs; Large Flange

71-5243	33082	Idler Hub Kit, 2,000 lbs. (shown at right)
---------	-------	--

### 3,500 lb. IDLER HUB KITS

#### 5-4.50; L68111/L44610; Black push-in studs

NTP/STAG #	Husky Part #	Description
71-5244	33083	Idler Hub Kit, 3,500 lbs.

#### 5-4.75; L68111/L44610; Large Flange/Large Bride

71-5245	33084	Idler Hub Kit, 3,500 lbs.
---------	-------	---------------------------

#### 5-5.00; L68111/L44610; Large Flange/Large Bride

71-5246	33085	Idler Hub Kit, 3,500 lbs.
---------	-------	---------------------------

#### 5-5.50; L68111/L44610; Black push-in studs

71-5247	33086	Idler Hub Kit, 3,500 lbs.
---------	-------	---------------------------

#### 6-5.50; L68111/L44610; Black push-in studs

71-5248	33087	Idler Hub Kit, 3,500 lbs. (shown at right)
---------	-------	--

### 6,000 lb. & 7,000 lb. IDLER HUB KITS

#### 6-5.50; 25520/15245;1/2-20; Push-In Studs

NTP/STAG #	Husky Part #	Description
71-5249	33088	Idler Hub Kit, 6,000 lbs.

#### 6-5.50; 25520/15245;9/16-18; Push-In Studs

71-5250	33089	Idler Hub Kit, 6,000 lbs.
---------	-------	---------------------------

#### 8-6.50; 25520/14276;1/2-20; Push-In Studs

71-5251	33090	Idler Hub Kit, 7,000 lbs.
---------	-------	---------------------------

#### 8-6.50; 25520/14276; 9/16-18; Push-In Studs

71-5252	33091	Idler Hub Kit, 7,000 lbs. (shown at right)
---------	-------	--





## HUSKY ASCEND® FLEXIBLE MOUNT PROPORTIONAL TRAILER BRAKE CONTROL

Husky Ascend puts your trailer brake control within easy reach so you can safely keep your eyes on the road. The modular design lets you mount the heads-up display and controller wherever they are most accessible to you, while the system's electronic brain is mounted out of sight.

- Advanced proportional control technology mirrors the braking action of the tow vehicle
- On-the-fly sensitivity adjustment with 7 settings for different loads and driving conditions

### 1. LED DISPLAY

Can be located directly within your field of vision for optimal viewing

- Compact size mounts independent of the other two components for better placement
- Mounts to dash for safer heads-up viewing
- Wiring is hidden and routed on the A-pillar
- Adjustable to set driver's best viewing angle



### 2. MANUAL BRAKE CONTROL

Mount within easy reach of either hand

- Use the manual slide to activate the brakes
- Mount for either right or left hand dexterity
- Slide indicators are back-lit and glow at night for easier visibility

### 3. ELECTRONIC BRAIN

Can be mounted completely out of sight

- Inertia and brake pedal activation
- Dual-axis accelerometer with forward and reverse proportional/progressive braking
- 8-brake capacity
- Short protected
- Mounts under dash to multiple surface types 360° vertical and 10° horizontal range
- Requires no leveling
- Quick-connect plug included
- Lifetime warranty



17-0647 31624 Ascend w/ Connector, 8 Brakes

## HUSKY QUEST® PROPORTIONAL TRAILER BRAKE CONTROL

- Proportional brake control mirrors the braking action of the vehicle. Quest comes with a simple plug-in connector allows for instant connection to your factory tow package.
- Digital power level (gain) and sensitivity (response) settings for precise and easy setup
- On-the-fly sensitivity adjustment; 5 preset options for optimal control from the touch of a button
- Easy-to-adjust for full or empty loads
- Digital power scale from 5-to-99
- Advanced inertial accelerometer instantly activates brakes
- Ergonomic vertical slide is easy to use
- 8 brake capacity
- Short protected
- Lifetime warranty

17-0646 31899 Quest Brake Control w/Connector, 8 Brakes



## HUSKY ESCORT® DIGITAL TIME-RAMP TRAILER BRAKE CONTROL

- Time-ramp braking is activated by brake pedal. Escort Digital comes with a simple plug-in connector allows for instant connection to your factory tow package and a large digital readout.
- Power settings are easy to set and adjust
- Ergonomic vertical slide is easy to use
- Exact brake force is displayed digitally as a percentage of full power
- 6-brake capacity
- Short protected
- Limited lifetime warranty

17-0688 31898 Escort Brake Control w/Connector, 6 Brakes



## HUSKY ESCORT® DIGITAL TIME-RAMP TRAILER BRAKE CONTROL

- Multi-color LED display changes color with braking power, to help you set the right braking power
- Innovate vertical slide for manual braking.
- Activates upon depression of the tow vehicle brake pedal
- Mount in any position vertically or horizontally
- 6 brake capacity
- Short protected
- Limited lifetime warranty

17-0645 31555 Escort Brake Control w/o Connector, 6 Brakes



## HUSKY<sup>®</sup> BRAKE CONTROL SPECIFICATIONS



**ASCEND<sup>®</sup>**  
31624



**QUEST<sup>®</sup>**  
31899  
w/Flat Connector



**ESCORT<sup>®</sup> DIGITAL**  
31898  
w/Flat Connector



**ESCORT<sup>®</sup>**  
31555

Activation	Inertia/Brake Pedal	Inertia/Brake Pedal	Brake Pedal	Brake Pedal
Braking Algorithm	Accelerometer	Accelerometer	Time Ramp	Time Ramp
Braking Application	Proportional/Progressive	Proportional/Progressive	Preset Braking	Preset Braking
Functional in Reverse	Proportional/Progressive	Proportional/Progressive	Preset Braking	Preset Braking
Braking Capacity	8	8	6	6
Braking Display	Digital	Digital	Digital	Multi-Color Bulb
Braking Output	% of Braking Capacity	% of Braking Capacity	% of Braking Capacity	Color = Braking Intensity

### MOUNTING ANGLE

• Vertical Fore/Aft (Pitch)	360°	360°	360°	360°
• Horizontal Side-to-Side (Yaw)	±10°	±10°	360°	360°
• Roll (Tilt)	±10°	±10°	360°	360°
• Flexible Mounting Options	Yes	No	Yes	Yes
Auto Leveling	Yes	Yes	Yes	Yes
Quick Connect Plug	Yes	Yes	Yes	No
Solid State Electronics	Yes	Yes	Yes	Yes
Slide Activates Brake Lights	Yes	Yes	Yes	Yes
Manual Operation	Vertical or Horizontal Slide	Vertical Slide	Vertical Slide	Vertical Slide

### DIAGNOSTICS

• Reverse Polarity Protection	No	No	No	No
• Trailer Side Short Protection	Yes	Yes	Yes	Yes
• Trailer Brake Continuity	Yes	Yes	Yes	Yes
• Trailer Brake Short Notification	Yes	Yes	Yes	No

### TRAILER BRAKE TYPES

• Electric	Yes	Yes	Yes	Yes
• Electric Over Hydraulic	Yes	Yes	Yes	No
Memory Pre-Sets	Last Setting	Last Setting	Last Setting	Last Setting
24 Volt Jump Start Protection	Yes	Yes	Yes	Yes
Custom Brake Settings	5	5	Fixed	Fixed
Warranty	Limited Lifetime	Limited Lifetime	Limited Lifetime	Limited Lifetime

### HUSKY<sup>®</sup> Custom Wiring Harnesses for Brake Controls

For the Husky Quest<sup>®</sup>, Escort<sup>®</sup> Digital and Ascend<sup>®</sup>. Look for the full line of Husky<sup>®</sup> custom wiring harnesses. These fit all Husky<sup>®</sup> brake controls that have a similar shaped plug. Simply attach the adapter to the Husky brake control. The safest/easiest way to wire a brake control to your tow-prepped vehicle. Clamshell packed. Use appropriate wiring harness for quick brake control installation.



See page 57 for vehicle specific brake control wiring harness list.



**NEW HUSKY® 7-WAY JUNCTION BOX**



- Provides fast, easy installation of your trailer 7-way connector
- Easy color-coded and labeled wire terminals (see instructions)
- Molded-in strain relief for cables
- Rugged nylon construction
- Weather-resistant housing
- Open and closed rubber grommets included

18-2702 33200 7-Way junction Box



**NITE-GLOW™ CONNECTORS**



**NITE-GLOW™ 7-WAY BLADE TRAILER END LED CONNECTOR**

- Illuminates on taillight function to verify electrical continuity
- Assists in confirming your trailer connection

71-5228 33067 NG 7 Blade Trailer 1/card



**NITE-GLOW™ 7-WAY BLADE TO 4 OR 6-WAY ROUND FLEX-COIL™ LED CONNECTORS**

Nite-Glow™ illuminates on taillight function verifying continuity. Stretches to 8 feet. Easy-grip, heavy-duty connectors with heavy-duty cable. 3-yr. warranty.

19-3842 30500 7RV Male To 4Rd Male Flex Adpt

19-3843 30501 7RV Male To 6Rd Male Flex Adpt



**NITE-GLOW™ 7-WAY BLADE TO 4-WAY FLAT FLEX-COIL™ LED CONNECTOR**

Flex-Coil adapters provide increased durability and additional length when needed to reach the tow vehicle's socket and the trailer/towed vehicle's plug. Flex-Coil adapters with Nite-Glow™ illuminate upon activation of the taillight function, so you can find the electrical connection in the dark and show that the vehicle's trailer wiring system is functioning properly. Stretches to 3' and features increased weatherproofing, tin plated terminals, easy grip connectors and heavy duty cable.

19-3206 15181 Flex Coil Adapter W/Nite-Glow

## DIODE BLOCK



### QUICK-LOCK DIODES™

Saves installation time over traditional diode blocks. Integrated quick-splice. 5 amps capacity. Enhanced weatherproofing (grease packet included)

71-5231	33070	Quick Lock Diodes 4/card
71-5232	33071	Quick Lock Diodes 1/card

## CONNECTORS



### MULTI-TOW® 7-WAY BLADE AND 4-WAY FLAT LED CONNECTOR

- Illuminates on taillight function to verify electrical continuity
- Assists in confirming your trailer connection

71-5229	33068	LED 7 Blade Trailer 1/card
---------	-------	----------------------------



### 7-WAY RV BLADE TRAILER CONNECTOR END

Vehicle side socket (car end) is impact and corrosion resistant. Trailer side plug is also impact and corrosion resistant, with easy-pull grip design. Both ends have rear grommet/strain relief for weatherproofing.

19-3232	30015	Car End, 1/card
19-3236	30135	Trailer End, 1/card
19-3238	30140	Trailer End, Bulk



### ENDURANCE™ MULTI-TOW® 7-WAY BLADE AND 4-WAY FLAT GM TWIST-MOUNT CONNECTOR

- Impact and corrosion resistant
- Applies to over 30 different vehicle applications
- Utilizes OEM connectors to create an exact fit and maximum weatherproofing
- Endurance design feature ensures years of trouble-free use.
- Multi-Tow® provides multiple towing options from one connector

71-5218	33057	MT 7 Blade & 4 Flat 1/card
---------	-------	----------------------------



### ENDURANCE™ MULTI-TOW® 4-WAY FLAT TO 7-WAY BLADE & 4-WAY FLAT CONNECTOR

- Multi-Tow® provides multiple towing options from one connector
- Provides sockets for both 7 blade and 4 flat trailers
- Allows existing vehicle end 4 flat to adapt to a 7 Blade
- Easy-open, weatherproof lid with rugged, oversized hinge allows lid to open 180 degrees
- Impact and corrosion resistant
- Mounting bracket and hardware included
- 3-year warranty

71-5222	33061	MT 7 Blade & 4 Flat 1/card
---------	-------	----------------------------

### 7-WAY RV BLADE PLASTIC TRAILER CONNECTOR CAR END

Vehicle side socket, impact and corrosion resistant. Rear grommet/strain relief for weatherproofing.

19-3247	32576	Car End Plastic Bulk
---------	-------	----------------------



### ENDURANCE™ MULTI-TOW® 7-WAY BLADE AND 4-WAY FLAT VEHICLE 4-HOLE MOUNT CONNECTOR

- Plug-In Simple! No cutting, No splicing, Saves time
- Connects to vehicle's OEM tow package connector
- Applies to over 26 vehicle makes and 70 models
- Easy-open, weatherproof lid with rugged, oversized hinge allows lid to open 180 degrees
- Impact and corrosion resistant
- Mounting hardware included
- 3 year warranty

71-5219	33058	MT 7 Blade 4 Flat 1/card
---------	-------	--------------------------



### MULTI-TOW® 7-WAY BLADE AND 4-WAY FLAT CONNECTOR

- Multiple towing options from one connector
- Connects to your vehicle's OEM tow package
- Exact OEM replacement for enhanced fit and maximum weatherproofing
- Applies to over 18 different vehicle Makes equipped with a factory tow package
- High impact, ABS plastic construction

71-5220	33059	MT 7 Blade & 4 Flat 1/card
71-5233	33072	MT 7 Blade & 4 Flat Bulk

### 7-WAY RV BLADE TRAILER END METAL CONNECTOR WITH BRACKET

Ergonomic pistol grip for easier handling. Ultimate weatherproofing protects connection. Includes terminal grease, mounting bracket & hardware. Die cast housing for durability.

19-3241	30499	7RV Trailer End Conn (Metal)
---------	-------	------------------------------



## CONNECTORS

### MULTI-TOW™ 7-WAY RV BLADE, 4 & 5-WAY FLAT CONNECTOR

Provides multiple towing options from one connector. Reinforced easy-grip lid opens 180° for easier connections. Internal seals for weatherproofing. Long life oversized hinge. Mounting bracket, hardware and terminal grease packet included. 3-yr. warranty.

19-3858 30498 7 to 4&5 Flat Multi-Tow Adapter



### 7-WAY BLADE FORD/CHEVY/GMC OEM REPLACEMENT CONNECTOR

Compatible with Ford, GM and other popular tow vehicles. Plug-In Simple!® for quick and easy installation or replacement. Durable lid opens 180 degrees. Ultimate weatherproofing. 3-yr warranty.

19-3200 30175 Socket Us-car 7-Way



### 6-WAY ROUND METAL TRAILER END CONNECTOR

Die-cast zinc for durability. Impact and corrosion resistant.

19-3864 32571 Connect 6Way Zinc Trl End Cd/1



### 7-WAY RV BLADE METAL TRAILER CONNECTOR

Trailer side plug is made with aluminum housing and corrosion resistant terminals. Vehicle side socket has corrosion resistant terminals and aluminum housing.

19-3249 32575 7Way Met Trl End Cd/1  
19-3865 32427 7Way Metal Trl End Bulk



### 4-WAY ROUND METAL TRAILER END CONNECTOR

Die-cast zinc for durability. Impact and corrosion resistant.

19-3863 32579 Connector 4Way Chr Car End  
19-3868 32566 Connector 4Way Zinc Car End



### ENDURANCE™ 7-WAY RV BLADE FORD/CHEVY/GMC OEM REPLACEMENT CONNECTOR

Professional grade 7-way premium car end is compatible with Ford, GM and other popular tow vehicles. Plug-In Simple!® for quick and easy installation or replacement. Durable lid opens 180 degrees. Ultimate weatherproofing.

19-3243 32564 Connect 7Way Prem Car End  
19-3861 32565 Connect 7Way Prem Car End CD/1



### 7-WAY ROUND METAL CAR END CONNECTOR

Heavy-duty die-cast zinc design. Impact and corrosion resistant.

19-3860 30465 7 Pole Rd Car End (Metal)



### 7-WAY TRAILER END CONNECTOR WIRING KIT

Heavy-duty rubber trailer connectors fit with thermoplastic or metal 7-way car end connectors. Primary wire gauges are 10-gauge (black, white), 12-gauge (blue), 14-gauge (brown, red, green, yellow).

19-3366 19356 With 8' Cable  
19-3365 19430 With 12' Cable



### ENDURANCE™ 7-WAY RV BLADE TWIST MOUNT CONNECTOR

The Endurance Twist-Mount 7 Blade Connector is compatible with current GM tow vehicles. Incorporating Endurance design features enables this connector to last for years of trouble-free use. Exact O.E.M. fit. Plug-In Simple!® for quick and easy installation or replacement.

19-3199 31625 Husky 7Rv W/Gm Twist Loc



### 6-WAY ROUND PLASTIC TRAILER END CONNECTOR

Impact and corrosion resistant. Weatherproof rubber boot protects back of connector.

19-3245 32577 Connector 6Way Plast Car End



### FIFTH WHEEL HARNESSES

Easily route towing electrical functions into the truck bed for 5th wheel trailers, while retaining electrical functions at the rear of the vehicle. Fits Chevy/GMC, Ford, Dodge/Ram, Nissan, and Toyota trucks.

19-3203 30342 5th Wheel Harness 10'  
19-3204 30345 5th Wheel Harness 10'  
19-3202 30392 5th Wheel T-Connector



## ADAPTERS



### 7-WAY RV BLADE TO 6-WAY ROUND ADAPTER

Includes dust cover. Easy-pull grip and corrosion resistant tin-plated terminals. Universal center pin can be switched to auxiliary or electric brake.

19-3212 30314 Center Pin Auxiliary

### 7-WAY RV BLADE TO 4-WAY FLAT ADAPTER

Ergonomic one-piece design enhances weatherproofing. Includes dust cover. Impact and corrosion resistant.

19-3208 30313



### 7-WAY RV BLADE TO 5-WAY FLAT ADAPTER

Impact and corrosion resistant. For use with marine trailers equipped with surge brakes. Includes dust cover. Enhanced weatherproofing.

19-3209 30692 Adapter 7Rd Blade To 5Flat



### MULTI-TOW™ 7-WAY RV BLADE TO 6-WAY ROUND & 4-WAY FLAT ADAPTER

7-way RV blade to BOTH 6-round and 4-wire flat adapter with dust cover. On 13176, the center pin is auxiliary, and the universal center pin can be switched to electric brake. On 13177, the center pin is for the electric brake, and the universal center pin can be switched to auxiliary.

19-3701 13176 7 to 6&4 Multi-Tow  
19-3702 13177 7 to 6&4 Multi-Tow

### 7-WAY RV BLADE TO 4-WAY FLAT CONNECTOR ADAPTER

Take the guesswork and frustration out of vehicle-to-trailer wiring with Husky Connector Adapters.

19-3189 13170 7Blade To 4Flat Adapter



### 7-WAY RV BLADE TO 7-WAY ROUND CONNECTOR ADAPTER

Adapts 7-Way Round to 4-Way Flat

19-3191 13064 7RV Blade To 7Pin Adapter



### 7-WAY RV BLADE TO 4 OR 5-WAY FLAT LED FLEX ADAPTER

Provides for flexible reach. Includes function testing LEDs and easy-pull grip design. Dust cover and protected wire for added durability.

19-3845 30468 Flex-Adpt 7RV to 4 Flat w/Led  
19-3846 30473 Flex-Adpt 7RV to 5 Flat w/Led

### 7-WAY RV BLADE TO 4-WAY FLAT PLUG-IN SOLUTION® LED ADAPTER

Husky's LED vehicle-to-trailer adapter series incorporates built-in trouble-shooting. If the trailer lights are not functioning correctly, you can isolate the problem by simply looking at the adapter. If the lights on the adapter are functioning, it's a trailer-side problem. If the lights are not functioning, the problem is with the vehicle.

19-3188 15174 Adapter 7Rv Blade To 4Flat Led



### 7-WAY RV BLADE TO 4 & 5-WAY FLAT ADAPTER

Adapts 7-Way Blade (RV) to 5-Way and 4-Way Flat.

19-3838 14437 Adapt Multi Tow 7 to 5 4



### MULTI-TOW™ 7-WAY RV BLADE TO 6-WAY ROUND AND 4 & 5-WAY FLAT ADAPTER

Patented Quick-Change™ plug quickly accommodates both 6 pole wiring codes. Multi-Tow® Adapter provides four different trailer towing options from a single device. Overbuilt hinge, lid, and connector housings provide maximum durability. Impact and corrosion resistant. Tin-plated terminals with terminal grease packet provided. Plug-In Simple!® eliminates rewiring vehicle or trailer. No cutting, no splicing.

19-3213 30484 Adapter 7Rv To 4&5 Flat W/Led

## ADAPTERS



### 4-WAY ROUND TO 4-WAY FLAT CONNECTOR ADAPTER

Adapts 7-Way Round to 4-Way Flat

19-3190 13173 7Blade To 4Flat Adapter



### 6-WAY ROUND TO 7-WAY RV BLADE ADAPTER

Die-cast zinc for durability (6 pole round). Flexible wire provides extra reach. Corrosion resistant terminals.

19-3703 30693 6 Round to 7 Blade



### MULTI-TOW™ 7:4 ADAPTER

Provides 7-way RV blade or 4-wire flat towing, both from one location. Weatherproof design. Plugs into a 7-pole on the tow vehicle. Mounting bracket and hardware included.

19-3186 13092 7 to 7:4 Multi-Tow Adapter



### 6-WAY ROUND TO 4-WAY FLAT CONNECTOR ADAPTER

Adapts 7-Way Round to 4-Way Flat

19-3700 13168 6Rd To 4Flat Adapter



### 7-WAY ROUND TO 4-WAY FLAT ADAPTER

Impact and corrosion resistant. Easy-pull grip design. Includes dust cover.

19-3210 30341 Adapter 7Round-4Flat



### MULTI-TOW™ 7:4 ADAPTER

Provides 7-way RV blade or 4-wire flat towing, both from one location. Weatherproof design. Mounting bracket and hardware included.

19-3201 17363 Husky Multi Tow 7:4 OEM Repl



### 6-WAY ROUND TO 4-WAY FLAT W/LED FLEX ADAPTER

LED test lights verify electrical continuity. Flexible wire provides larger turning radius. Dust cover and grease packet protect terminals.

19-3844 30466 Flex-Adpt 6Rd To 4 Flat W/Led



### 4-WAY FLAT TO 7-WAY BLADE ADAPTER

Take the guesswork and frustration out of vehicle-to-trailer wiring. Pre-wired adapters give you a means to create a custom wiring system.

19-3699 13166 Plastic, Each



Eliminates rewiring vehicle or trailer.

15258

### 6-WAY ROUND TO 4-WAY FLAT ADAPTER

Includes dust cover. Impact and corrosion resistant. Easy-pull grip design.

19-3207 30315 Adapter 6Round To 4Flat



### MULTI-TOW™ 7:4 ADAPTER

Provides 7-way RV blade or 4-wire flat towing, both from one location. Weatherproof design. Plugs into a 4-wire flat on the tow vehicle.

19-3187 13165 4 to 7:4 Multi-Tow Harness

### SPECIALTY ADAPTER EXPANSION

**7-Pin to 7RV Adapter** - Designed for tow vehicles with a 7-pin connector and adapts to trailers equipped with a 7RV Blade connector. Flexible wire provides extra reach. Easy grip design.

**7-Pin to 6-Round Adapter**—Designed for tow vehicles with a 7-pin connector and adapts to trailers equipped with a 6-way round connector. Easy grip design.

19-3211 15253 Adapter 7Pin To 7RV

19-3847 15258 Adapter 7Pin To 6 Round



**HARNESS ADAPTER:  
DODGE / CHRYSLER / JEEP OEM  
QUICK-INSTALL™  
WIRING KIT**

Allows for Dodge trucks to adapt to the Quick-Install™ 7 RV Blade. Reinforced lid opens 180 degrees to prevent breaking. Ultimate weatherproofing.

19-3205 30406 Harness Adapter 7Way



**HUSKY 2 POLE IN-LINE SET**

Contains matched set positive/negative male and female connectors. Corrosion resistant tin-plated terminals and rear protective boot. Easy install to rear of connector. 5/16" distance between terminals. Allows for any length wires to be attached and set in protective rubber boot. Commonly used on 12-volt accessories.

19-3850 30258 Connector 2-Pin Round

**MOUNTING BRACKETS**



**CONNECTOR MOUNTING BRACKETS**

Works with all 7 RV Blade vehicle end sockets. Fits Multi-Tow® and Endurance™ 6 Pole Round vehicle end sockets.

19-3250 32582 Bulk



**UNIVERSAL MOUNTING BRACKET**

Works with all 7 RV Blade vehicle side connectors. Fits Multi-Tow® and Endurance™ 6 Pole Round vehicle side connectors. Slotted bracket for easy pre-wired installation

71-5230 33069 Universal Bracket 1/card

**FLAT EXTENSION HARNESSES AND CONNECTORS**



**2 WIRE FLAT  
EXTENSION HARNESS**

12" length. For use with 12-volt accessories, this wire can be cut to provide 2 replacement plugs or a plug-in connection for a hardwired accessory. Corrosion resistant terminals. Red/white.

19-3192 30310 Connector 2-Way Flat Bulk  
19-3217 30259 Connector 2-Way Flat Pkg/2



**3 WIRE FLAT  
EXTENSION HARNESS**

12" length. Multi-use, male and female connectors. 2 function wires with 1 ground wire.

19-3840 30311 Connector 3-Way Flat Bulk  
19-3839 30268 Connector 3-Way Flat Pak/1



**4 WIRE FLAT  
EXTENSION HARNESS**

Extends wiring system 12" - 18" for more flexibility. Passes through vehicle ground.

19-3230 30170 18"L,Bulk  
19-3853 30280 12"L, 1/card  
19-3218 30312 12"L,Bulk



**4 WIRE FLAT  
EXTENSION CAR OR TRAILOR END  
CONNECTORS**

A 4-wire flat is the most commonly used trailer plug. This plug is found on small boat, utility, jet ski, snowmobile and small camper trailers.

19-3193 13190 Car End, 12"  
19-3194 13191 Car End, 48"  
19-3196 13192 Trailer End, 12"  
19-3197 13193 Trailer End, 48"



Easy-Pull™  
Innovation

Patent Pending



**4 WIRE FLAT  
EASY-PULL™ LED CONNECTORS**

- Hassle-free connection and disconnection
- Most intuitive by incorporating an ergonomic finger pull
- Easiest to use in all environments
- 3 year warranty

71-5223 33062 4 Flat Vehicle Side (48")  
71-5224 33063 LED 4 Flat Vehicle Side (48")  
71-5225 33064 4 Flat Trailer Side (12")  
71-5226 33065 LED 4 Flat Trailer Side (12")  
71-5221 33060 4 Flat Extension (48")  
71-5227 33066 LED 4 Wire Flat Extension (12")



30227

30247

**4 WIRE FLAT  
EXTENSION SET (48" VEHICAL END,  
12" TRAILOR END CONNECTORS)**

48" vehicle and 12" trailer end with corrosion resistant terminals. Wire functions are printed on wire for easy reference. Ridges on body provide extra grip. Meets SAE standards.

19-3854 30227 Connector 4-Way Flat 56" Kit  
19-3231 30247 Connector 4-Way Flat 60" Kit



## FLAT EXTENSION HARNESSES AND CONNECTORS



### 4 WIRE FLAT VEHICLE END CONNECTOR

48" length. Includes terminal grease and ground screw. Ergonomic grip for easier handling. Superior weatherproofing and durability.

19-3851 30487 4 Wire Flat Vehicle End



### 4 WIRE FLAT TRAILER END WITH Y-HARNESS

20 ft length wiring kit for re-wiring or new installs on trailers. Wishbone design allows for the taillight brown wires to extend to both taillights. Easy-pull grip for connecting/disconnecting. Heavy duty connector housings have built-in mounting holes. Protective nylon wire sleeving, heat-shrink tubing, and serrated ground terminal for proper grounding. Includes molded-in dust cover and grease packet. Corrosion resistant tin-plated terminals. Function printing on color-coded wires.

19-3855 30496 4 Wire Flat Trailer End W/Y-Harness



### 4 WIRE FLAT QUICK-FIX™ FLAT TRAILER CONNECTOR SET

Repairs/replaces damaged 4-flat. Matched set (vehicle and trailer). No external splices to create corrosion point. Easy to install: just cut off damaged 4-wire flat, insert wires into Quick-Fix Flat, compress internal splices, connect vehicle to trailer AND GO!

19-3198 15180 Quick Fix 4-Wire Flat Set

### 4 WIRE FLAT LED TESTER KEYCHAIN

LED indicator lights test left/right turn, brake and taillight. Red LED lights will glow if connection is correct when the function is activated.

02-0049 30178 Circuit Tester 4-Way Flat



### 5 WIRE FLAT EXTENSION CONNECTOR

48" length. Corrosion resistant terminals. For use with marine trailers equipped with surge brakes.

19-3215 30427 Connector 5Way Flat 48In LED



### 5 WIRE FLAT VEHICLE END CONNECTOR

48" length. 5th wire provides back-up function on boat trailers releasing the surge brakes. Industry's best, 3 year warranty. Maximum durability, superior ergonomics. Easy-pull grip ease in connecting and disconnecting. Heavy duty connector housings with built-in mounting holes. Protective nylon wire sleeving and heat-shrink tubing. Includes molded-in dust cover, grease packet, and ground screw provided.

19-3848 30485 5 Wire Flat Vehicle End



### 5 WIRE FLAT TRAILER END CONNECTOR

18" length. 5th wire provides back-up function on boat trailers releasing the surge brakes. Industry's best, 3 year warranty. Maximum durability, superior ergonomics. Easy-pull grip. Heavy duty connector housings with built-in mounting holes. Includes trailer side molded-in dust cover and grease packet. Protective nylon wire sleeving and heat-shrink tubing.

19-3849 30486 5 Wire Flat Trailer End

## BREAK-AWAY SWITCHES



### LED BREAK-AWAY SWITCH

LED verifies 12-Volt power is being transferred to the trailer brakes. • Durable pin and vehicle hook-up cable. • Weatherproof design.

14-0982 30462 LED Breakaway Switch, Bulk



### BREAK-AWAY SWITCH (44" WIRES)

Durable pin and vehicle hook-up cable. Mounting bracket attached. Plunger grommet creates secure fit.

14-0981 30457 Brake-Away Switch, Bulk

## POWER TAILLIGHT CONVERTERS

These units completely isolate the tow vehicle from trailer malfunctions. Power is taken directly from the battery for isolation and brighter trailer taillights. Each unit can power up to 3 sets of stop/turn signals (8.0 amps) on the trailer. For vehicles equipped with independent bulb turn signals and brake lights or common bulb systems.



### POWER TAILLIGHT CONVERTER (RELAY SYSTEM)

Provides isolation needed to bypass sensitive vehicle electronics. Can power up to 8.0 amps per output.

17-0644 13162 Pwr Taillight Conv Husky



### SHORT-PROOF POWER TAILLIGHT CONVERTER

Recommended universal converter application. Short circuit protected. Can power up to 8.0 amps per output. Protects tow vehicle electronics and itself from wiring shorts. Self-resetting.

19-3698 13163 Short Proof Pwr Conv Husky

## ELECTRONIC TAILLIGHT CONVERTER

Electronic taillight converters adapt an independent bulb taillight system of the tow vehicle to the common bulb taillight system of the trailer. Each unit can power 2.1 amps per stop/turn signal.



### TAILLIGHT CONVERTER, 48"

For repairing damaged taillight converter.

17-0687 13186 Tail Light Conv Husky



### LED COMPATIBLE TAILLIGHT CONVERTER

72" long electronic taillight converter adapts tow vehicle's taillight system to the trailer's. Powers up to 2.1 amps per output. Double-molded weatherproof design, includes dust cover. Converter mounts in trunk out of harm's way. Corrosion resistant terminals. Compatible with LED lights on vehicle.

17-0658 30428 Tail Light Conv Husky

### VEHICLE TOWING VEHICLE TAILLIGHT ISOLATING KIT

Permanently installs on towed vehicle near taillights

19-3841 13189 Tail Light Conv Husky



## CUSTOM WIRING HARNESSES FOR BRAKE CONTROLS

For the Husky Quest®, Escort® Digital and Ascend. These fit all Husky brake controls that have a similar shaped plug. Simply attach the adapter to the Husky brake control. The safest/easiest way to wire a brake control to your tow-prepped vehicle. Clamshell packed.



<b>DODGE</b> 2010-12 Ram Pickups	17-0671	31870	B/C Harness Dodge
<b>DODGE</b> 2013-14 Ram 1500 Pickups w/tow pkg	17-0673	32080	B/C Harness Dodge
<b>DODGE/CHRYSLER</b> 1995-09 Ram Pickups w/tow pkg; 1997-2011 Dakota; 1998-2009 Durango w/tow pkg	17-0649	31687	B/C Harness Dodge
<b>DODGE/JEEP</b> 2011-14 Durango, Grand Cherokee (w/tow)	17-0713	30011	B/C Harness Durango
<b>FORD</b> 2009-15 F-150; 2012-14 Flex; 2012-13 MKT	17-0710	30009	B/C Harness Ford
<b>FORD</b> 1992-93 F-Series, Bronco	17-0661	31859	B/C Harness T/S Bronco
<b>FORD/LINCOLN</b> 2008-15 F-250/350/450/550; 2009-15 E-150/250/350; 2009-15 E-350/450 RV; 2013 Expedition; 2013-14 Navigator	17-0711 17-0664	30013 31862	B/C Harness Ford B/C Harness T/S Ford
<b>CHEVY/GMC/CADILLAC/HUMMER</b> 2003-2006 Silverado, Suburban/Tahoe, Avalanche, Denali/Sierra, Yukon, Escalade; 2007 Sierra Classic, Silverado Classic; 2003-07 H2; 2005-07 H2 SUT	17-0709 17-0668	31691 31866	B/C Harness GM/Chev B/C Harness T/S GM
<b>CHEVY/GMC/CADILLAC</b> 1999-2002 Silverado; 2000-02 Suburban/Tahoe; 2002 Avalanche; 1999-02 Denali; 2000-02 Denali XL; 1999-2006 Sierra; 2000-02 Yukon/Yukon XL; 2000-02 Escalade	17-0667	31865	B/C Harness T/S GM
<b>GM/CHEVY/BUICK/SATURN</b> 2008-14 Acadia; 2008-14 Traverse; 2008-15 Enclave; 2007-09 Outlook	17-0656	31872	B/C Harness GM
<b>HONDA</b> 2006-13 Pilot; 2006-12 Ridgeline	17-0712	30010	B/C Harness Honda
<b>TOYOTA / LEXUS</b> 2003-13 4-Runner; 2002-12 Sequoia; 2003-14 Tundra; 2005-13 Tacoma; 2003-11, 13 Land Cruiser; 2010-13 GX 460; 2004-10 GX 470; 2008-11, 13 LX 570	17-0653	31697	B/C Harness Toyota
<b>Square to Flat T-Style B/C Adapter</b>	17-0693	31857	T/S B/C Adapter

See Husky Brake Controllers on pages 24 - 25 and a detailed application chart on page 57.

## BRUTE & SUPER BRUTE SERIES POWER JACKS

Brute was the first jack in its class to offer a ball screw for low rolling friction, compared to the sliding friction of standard power jacks with ACME screws. Rolling friction means the motor works less, draws less amperage, creates less heat, reduces noise and increases motor and jack life. A ball screw is standard on all Brutes. The Super Brute HSB5000R is equipped with a hi-capacity ball nut for a higher rated load. HB4500R and HSB5000R include remote control to make leveling more convenient.

POWER JACKS



87641  
Brute Series

Advanced 20mm Ball Screw design provides superior lifting capacity, reduces friction, amperage draw and motor wear.



88141  
Brute Series



82022  
Super Brute Series

Weather-protected, soft-trigger switches with back-lit panel.



Hi-capacity ball nut in HSB5000R gives 33% increase in rated capacity



PART #	MFG #	MODEL	LIFT CAPACITY (LBS.)	TOTAL LIFT	STROKE	DROP LEG	LEVEL INCLUDED	COVER
<b>SUPER BRUTE SERIES</b>								
15-1460	82084	HSB4000	4,000 lbs.	24"	18"	6"	Yes	Silver
15-1459	82022	HSB5000R	5,000 lbs.	24"	18"	6"	Yes	Silver
<b>BRUTE SERIES</b>								
15-1462	87248	HB3000	3,000 lbs.	24"	18"	6"	No	Dark Grey
15-1461	87247	HB4500	4,500 lbs.	24"	18"	6"	Yes	Dark Grey
15-1463	87641	HB4500R	4,500 lbs.	24"	18"	6"	Yes	Dark Grey
72-1113	88141	HB4500	4,500 lb	24"	18"	6"	Yes	White



### BRUTE FOOT

- Retractable jack extension increases trailer jack tube reach by 7" and greatly reduces cranking for set up and hitching.
- Large foot plate features plenty of surface area for stability; 6,500 lbs. capacity.
- Installation is quick and easy with no drilling required.
- Works with all standard manual and electric jack posts with 2" or 2-1/4" tubes.
- Limited 2 Year Warranty

15-1455 31610 Brute Foot  
19-3836 82030 Black Nylon Bushing 2pcs.

### PLASTIC WHEEL CHOCKS

- Use when vehicle is parked
- Prevents rolling when changing tires
- Durable, high impact plastic
- Cross-ribbed surface

15-1566 95036 Wheel Chocks 6/pk  
15-1565 38511 Wheel Chocks 2/pk



## A-FRAME & SWIVEL JACKS

### A-FRAME TOP-WIND & SIDE-WIND JACKS

- Available in a variety of weights (up to 5,000 lbs.)
- Maximum stroke 14-7/8" for top-wind jacks and 15-3/8" for side-wind jacks
- Convenient top-mounted or side-mounted handle
- Easy bolt-on installation on most applications
- Designed to accept a footpad
- Can also be welded on
- Durable powder-coat and zinc plate finish
- Zerk fitting provided for convenient lubrication
- Footpad use recommended for 5,000 lb. top-wind jack.



### SIDE-WIND SWIVEL JACK

- Easily swivels to horizontal towing position
- 1,000 lb. rated tongue load
- Ergonomic handle grip
- Fits tongues up to 3" thick x 3"-5" height
- 10" Vertical travel
- Heavy duty polypropylene wheel
- Side crank with heavy duty drive screw
- Zinc plated finish
- Heavy duty pivot joint
- Zerk fitting provided for convenient lubrication
- Mounting hardware and instructions included



PART #	MFG #	LIFT CAPACITY (LBS.)	HANDLE	STROKE	OUTER TUBE	INNER TUBE	EXTENDS	RETRACTS
<b>A-FRAME TOP-WIND &amp; SIDE-WIND JACKS</b>								
15-1584	30774	1,000 lbs.	Top-wind	14-7/8"	2"	1-3/4"	23-3/8"	8-1/2"
14-1071	88126	1,000 lbs., Bulk	Top-wind	14-7/8"	2"	1-3/4"	23-3/8"	8-1/2"
15-1585	30775	2,000 lbs.	Top-wind	14"	2-1/4"	2"	23-1/4"	9-1/4"
14-1075	88127	2,000 lbs., Bulk	Top-wind	14"	2-1/4"	2"	23-1/4"	9-1/4"
15-1567	30780	5,000 lbs.	Top-wind	14-1/2"	2-1/4"	2"	25-1/2"	11"
14-1076	88128	5,000 lbs., Bulk	Top-wind	14-1/2"	2-1/4"	2"	25-1/2"	11"
15-1568	30781	1,000 lbs.	Side-wind	15-3/8"	2"	1-3/4"	24-1/4"	8-7/8"
14-1077	88129	1,000 lbs., Bulk	Side-wind	15-3/8"	2"	1-3/4"	24-1/4"	8-7/8"
15-1586	30782	2,000 lbs.	Side-wind	14-3/8"	2-1/4"	2"	23-1/2"	9-1/8"
14-1078	88130	2,000 lbs., Bulk	Side-wind	14-3/8"	2-1/4"	2"	23-1/2"	9-1/8"
71-5272	88131	1,000 lbs., Jack Cap	Side-wind	15-3/8"	2"	1-3/4"	24-1/4"	8-7/8"
71-5273	88132	2,000 lbs., Jack Cap	Side-wind	14-3/8"	2-1/4"	2"	23-1/2"	9-1/8"
<b>SIDE-WIND SWIVEL JACK</b>								
15-1561	30655	1,000 lbs.	Side-wind	N/A	2"	1-3/4"	N/A	N/A

### 5TH WHEEL STABILIZERS

- Reduces side-to-side and fore-to-aft movement of parked 5th wheels.
- Legs adjust to fit king pin heights from 34" to 56" (adjustable stabilizer) or 33" to 55" (non-adjustable stabilizer).
- Chain with S hook for quick and easy adjustments.
- Adjustable stabilizer features an adjustable, lockable hitch cup to fine-tune the height for a perfect fit and help prevent theft.
- Both have a maximum vertical load rating of 5,000 pounds.
- **No tools required!** Assemble feet and legs with lynch pins.

- 15-1535 75203 Adjustable 5th Wheel Stabilizer
- 15-1559 76942 Non-Adjustable 5th Wheel Stabilizer



Allows fine adjustment of king pin cup height up to 4-1/2".

## TELESCOPIC STABILIZER JACK

- Recommended for motor homes, 5th wheels, and travel trailers
- Zinc-plated inner tube and screw assembly
- Adjustable from 16" to 30"
- Quick and easy pull pin for 8" of telescopic adjustment, plus 7" of additional screw adjustment
- Steel construction; 7,500 lb. load capacity
- Complete set of 2

15-1494 70564 16" - 30"



7" of additional screw adjustment



## ECONOMY SLIDE-OUT STABILIZERS

- Greater stability; reduces sag
- Prevent wear and tear and costly slide-out frame repairs
- Easy to operate; no assembly required
- Heavy duty steel construction
- Durable powder coat and zinc finish
- Includes a 5" footpad, 2/box

15-1468 81079 16-1/2" - 29-1/4"  
 15-1469 81080 20-3/4" - 38-5/8"  
 15-1470 81081 26-1/4" - 49-1/4"

Weight Rating:  
 5,000 lbs.  
 per pair



## SCISSOR JACKS

- Levels and stabilizes 5th wheel and travel trailers
- Durable, sturdy steel construction
- Rust-resistant black e-coating
- Designed for today's larger and heavier units
- Conveniently concealed when not in use
- Easy to install; complete instructions inside
- Easy to extend and retract
- Large 26 square inch foot pad
- Bolt-on front and rear universal applications
- Can be welded on
- 2 year warranty

### Accessories:

15-1541 76850 Speed handle for 7,500 lb. jack  
 71-5269 88123 Speed handle for 5,000 lb. jack  
 14-1196 71195 Screw kit, 8/pkg



## DRILL SOCKET ADAPTER

- Enables faster raising and lowering of scissor jacks
- Fits all 3/4" hex drive jacks
- Durable, zinc-plated non-corrosive finish
- Made from steel for strength and durability
- Fits 3/8" and larger drill chucks

14-1068 88120 Drill Socket Adapter



88121



88124



76862

PART #	MFG #	MODEL	QTY.	CAPACITY (LBS.)	HANDLE	LIFT	WEIGHT	RETRACTED HEIGHT
<b>SCISSOR JACKS</b>								
15-1558	76862	Heavy Duty	Pair	7,500lbs. (each)	Swivel	24"	12.3lbs. (per jack)	4-5/16"
15-1578	72139	Heavy Duty	Single	7,500lbs.	Not included	24"	12.3lbs.	4-5/16"
71-5270	88124	Standard	Pair	5,000lbs. (each)	Swivel	30"	15.7lbs. (per jack)	4-5/16"
71-5271	88125	Standard	Single	5,000lbs.	Not included	30"	15.7lbs.	4-5/16"
71-1712	88121	Economy	Pair	5,000lbs. (each)	Swivel	24"	10.2lbs. (per jack)	4-5/16"
14-5268	88122	Economy	Single	5,000lbs.	Not included	24"	10.2lbs.	4-5/16"
14-1874	88134	Leveling	Pair	5,000lbs. (each)	Swivel	20"	10lbs. (per jack)	4-5/16"
14-1876	88135	Leveling	Single	5,000lbs.	Not included	20"	10lbs.	4-5/16"

## ALUMINUM MOBILITY WHEELCHAIR AND CARGO CARRIER



Gradual slope ramp allows easy loading and unloading

- The extra wide bed of this aluminum wheelchair carrier accommodates most mobility vehicles up to 500 lbs.
- Aluminum construction makes it lightweight and easy to handle
- The gradual slope on the fold-up ramp makes loading your wheelchair or mobility scooter a breeze
- Attaches to any 2" trailer hitch
- Deck Planking is engineered to provide more surface area for easier loading
- 2 tie-down anchor points secure and stabilize load during transport
- Carrier measures: 50-1/2" L x 30" W x 4" H, Ramp: 47" L x 29-1/2" D
- 500 lbs. capacity

71-7967 88133 Wheelchair/Cargo Carrier



Deck planking is engineered to provide more surface area for easy loading

Extra wide deck



Fold-up ramp locks in place for secure and reliable transport



Folds up when not in use

## HEAVY-DUTY FOLDABLE CARGO CARRIER



- Large 20" x 60" x 6" platform
- Heavy duty, all steel square tubular construction
- Extension bar fits 2" receiver
- Corrosion-resistant
- Powder-coated
- Inside rack measurement: 58" long x 18" wide x 5.5" deep
- 500 lb. capacity

05-0048 81149 Heavy-Duty Cargo Carrier



Folds up when not in use

## EXTRA WIDE CARGO CARRIER



- Large 23.5" x 60" x 3" platform for maximum cargo space
- Rugged long lasting powder coated steel construction
- Extra tie down utility holes so cargo stays put
- Fits 2" hitch receiver
- Non-folding.
- 500 lb. capacity.

05-0049 81148 Extra Wide Cargo Carrier

## BIKE RACKS



### BALL MOUNT 2-BIKE RACK

- A fast and easy solution for your bicycle hauling needs
- Easy to use trailer ball mount bike racks attach with your hitch ball and nut securing the carrier.
- Drop down feature allows quick access to rear of most vehicles.
- Rubber cradles can be locked to protect bikes from theft.
- Holds two bicycles
- Heavy metal design
- Powder-coated finish
- Load capacity: 60 lbs.

16-0175 81145 Ball Mount Bike Rack



### HITCH MOUNT 2-BIKE RACK

- Mounts to 2" receiver
- Drop down feature allows quick access to rear of most vehicles.
- Rubber cradles can be locked to protect bikes from theft.
- Holds two bicycles
- Heavy metal design
- Powder-coated finish
- Load capacity: 60 lbs.

16-0169 81146 Hitch Mount 2-Bike Rack



### HITCH MOUNT 4-BIKE RACK

- Mounts to 2" receiver
- Deluxe steel carrier converts from 2 to 4 bike carrier with easy to use included extension.
- Drop down feature allows quick access to rear of most vehicles.
- Rubber cradles can be locked to protect bikes from theft.
- Powder-coated finish
- Load capacity: 120 lbs.

16-0170 81147 Hitch Mount 4-Bike Rack

## HUSKY<sup>®</sup> TOWING PRODUCTS 4ft. PLANOGRAM PREPACK

The 4ft. Planogram displays 81 skus of towing ball mounts, pintle hooks, pins, clips and much more. Husky towing products span the spectrum from fifth wheels, goosenecks, weight distribution systems, & bumper receiver hitches. Husky is also your source for a complete line of electrical products & towing accessories. Ask a sales representative how this product could help enhance your store's towing offering.



81-0957 90345KIT 4ft. Towing Products POGEN

### PEG BOARD - ROW 1

NTP-STAG NO.	MFG. NO.	DESCRIPTION	QTY
14-1057	34915	Ball 1-7/8 x 3/4 x 1-3/4 Chr Pak/1	3
14-1059	34917	Ball 2 x 3/4 x 1-3/4 Chr Pak/1	3
14-1060	34918	Ball 2 x 1 x 2-1/8 Chr Pak/1	3
14-1325	34924	Ball LS 2 x 1 x 2-7/8 Chr Pak/1	3
14-1061	34919	Ball 2-5/16 x 1 x 2-1/8 Chr Pak/1	3
15-1492	34521	Hitch Pin/Clip 1/2" Cd/1	4
20-0558	34819	Hitch Lock 1/2"	4
14-0980	38446	Rec Cover Black 2" Bulk	2
14-0980	38446	Rec Cover Black 2" Bulk	2

### PEG BOARD - ROW 2

NTP-STAG NO.	MFG. NO.	DESCRIPTION	QTY
20-0600	38790	5th Wheel King Pin Lock	2
20-0606	38958	Coupler Lock Cd/1	3
15-1473	33790	Hitch Pin/Clip 5/8" Cd/1	4
20-0543	34818	Hitch Lock 5/8"	4
14-0976	34914	Heavy Duty 10" 5th Wheel Lube Disc	4
15-1565	38511	Wheel Chocks Clam/2	2

### PEG BOARD - SHELF 1

NTP-STAG NO.	MFG. NO.	DESCRIPTION	QTY
14-1118	31341	Ball Mt Cls II 6-5/8 x 5/8 x 1-1/4	1
14-1131	31364	Ball Mt Cls IV Straight 8 x 3/4 x 2	1
14-1121	31357	Ball Mt Cls III 8 x 3/4 x 2	1
14-1121	31357	Ball Mt Cls III 8 x 3/4 x 2	1
14-1121	31357	Ball Mt Cls III 8 x 3/4 x 2	1
14-1121	31357	Ball Mt Cls III 8 x 3/4 x 2	1
14-1135	31369	Ball Mt Cls IV 12 x 1 x 2-1/4	1

14-1123	31359	Ball Mt Cls IV 6-3/4 x 2 x 3-1/4	1
14-1122	31358	Ball Mt Cls III 10 x 3/4 x 4-1/4	1
14-1122	31358	Ball Mt Cls III 10 x 3/4 x 4-1/4	1
14-1122	31358	Ball Mt Cls III 10 x 3/4 x 4-1/4	1
14-1127	31363	Ball Mt Cls III 11-1/2 x 4-3/4 x 6	1
71-5213	33004	2.5" Hollow Bm Cls V 9.5"L 2.5"D	1
71-5214	33005	2.5" Hollow Bm Cls V 9.5"L 2.5"D	1

### PEG BOARD - SHELF 2

NTP-STAG NO.	MFG. NO.	DESCRIPTION	QTY
14-1133	31367	Ball Mt Kt 2" Ball 3-1/4" Drop	1
14-1133	31367	Ball Mt Kt 2" Ball 3-1/4" Drop	1
14-1133	31367	Ball Mt Kt 2" Ball 3-1/4" Drop	1
14-1133	31367	Ball Mt Kt 2" Ball 3-1/4" Drop	1
14-1132	31366	Ball Mt Kt 2" Ball 2" Drop	1
14-1132	31366	Ball Mt Kt 2" Ball 2" Drop	1
14-1132	31366	Ball Mt Kt 2" Ball 2" Drop	1
14-1132	31366	Ball Mt Kt 2" Ball 2" Drop	1
14-1119	31349	Ball Mt Triple Ball	1
14-1120	31354	Ball Mt Double Tow Bulk	1
14-1116	32850	2" Box Hitch Extension 12"	1
14-1114	32849	Box Hitch Adapter 2" to 1-1/4"	1
14-1117	32848	Box Hitch Adapter 1-1/4" to 2"	1

### PEG BOARD - BASE SHELF

NTP-STAG NO.	MFG. NO.	DESCRIPTION	QTY
14-1113	30001	Tri-Ball Adjustable Ball Mount	1
71-5260	33104	Adjustable Dual Ball Mount	1
71-5262	33109	Pintle Hook Combo 2"	1
71-5263	33110	Pintle Hook Combo 2-5/16"	1



IN-STORE WIRING PLAN-O-GRAMS

TOWING

### 36" WIRING Plan-o-gram

19-3194	13191	(2) 4 WIRE FLAT CAR END HUSKY
19-3231	30247	CONNECTOR 4WAY FLAT 60IN
19-3193	13190	4 WIRE FLAT CAR END HUSKY
71-5229	33068	CONNECTOR 7 RV BLADE
71-5228	33067	CONNECTOR 7 BLADE ILLUMINATED
19-3200	30175	SOCKET USCAR 7-WAY
71-5218	33057	CONNECTOR 7 WAY BLADE AND 4 WAY
71-5221	33060	CONNECTOR EXT.48" 4 WIRE FLAT PLUG W/LED
71-5223	33062	CONNECTOR EXT.48" 4 WIRE FLAT PLUG
71-5224	33063	CONNECTOR EXT.48" 4 WIRE FLAT PLUG W/LED
71-5225	33064	CONNECTOR Ext. 12" 4 WIRE FLAT PLUG
71-5226	33065	CONNECTOR EXT. 12" 4 WIRE FLAT PLUG W/LED
71-5227	33066	CONNECTOR EXT. 12" 4 WIRE FLAT PLUG
71-5219	33058	CONNECTOR KIT 7 WAY BLADE AND 4 WAY
71-5222	33061	CONNECTOR ADAPTER 4 WIRE FLAT
71-5231	33070	DIODE; QUICK-LOCK RV TOWING 5AMP SET OF 4
71-5232	33071	DIODE; QUICK-LOCK RV TOWING 5AMP SINGLE
19-3217	30259	CONNECTOR 2-WAY FLAT PAK/2
19-3853	30280	CONNECTOR 4-WAY FLAT PAK/1
19-3196	13192	4 WIRE FLAT TRL END HUSKY
19-3186	13092	7:4 MULTI-TOW ADAPTER HUSKY
19-3699	13166	4FLAT TO 7BLADE ADPT HUSKY
71-5220	33059	CONNECTOR KIT 4 WAY AND 7 WAY ROUND
19-3207	30315	ADAPTER 6ROUND TO 4FLAT
19-3838	14437	ADAPT MULTI TOW 7 TO 5 4 HUSKY
19-3209	30692	ADAPTER 7RD BLADE TO 5FLAT
19-3703	30693	WIRING ADPTR 6-P AG-7-PIN
19-3189	13170	7BLADE TO 4FLAT ADAPT HUSKY
17-0658	30428	TAIL LIGHT CONV HUSKY
71-5229	33068	CONNECTOR TRAILER SIDE PLUG 7 RV BLADE
17-0674	32253	B/C HARNESS HUSKY T/S GM
17-0668	31866	B/C HARNESS HUSKY T/S GM
17-0662	31860	B/C HARNESS HUSKY T/S FORD
14-0982	30462	HUSKY LED BREAKAWAY SWITCH
17-0645	31555	BRAKE CONTROLLER ESCORT
17-0655	31698	WIRING HARNESS HUSKY FORD
17-0646	31899	(2) BRAKE CONTROLLER QUESTT/S
17-0667	31865	B/C HARNESS HUSKY T/S GM
17-0666	31864	B/C HARNESS HUSKY T/S DODGE
17-0694	31869	B/C HARNESS HUSKY T/S DODGE
17-0672	32079	B/C HARNESS HUSKY T/S '13 DGE
17-0690	31689	UNIVERSAL B/C HARNESS FORD
17-0664	31862	B/C HARNESS HUSKY T/S FORD
17-0659	31858	B/C HARNESS HUSKY T/S NISSAN
17-0669	31867	B/C HARNESS HUSKY T/S TOYOTA
19-3250	32582	(2) BRACKET 7&9WAY BLACK BULK
19-3247	32576	(2) CONNECTOR 7WAY PLAST CAR BULK
19-3246	32569	(3) CONNECTOR 6WAY ZINC TRL BULK
19-3218	30312	(4) CONNECTOR 4-WAY FLAT BULK

81-0828 32003KIT 3ft Wiring POG

### 48" WIRING Plan-o-gram

19-3194	13191	(2) 4 WIRE FLAT CAR END HUSKY
19-3231	30247	(2) CONNECTOR 4WAY FLAT 60IN
19-3193	13190	4 WIRE FLAT CAR END HUSKY
71-5229	33068	CONNECTOR 7 RV BLADE
71-5228	33067	CONNECTOR 7 BLADE ILLUMINATED
19-3200	30175	(2) SOCKET USCAR 7-WAY
71-5218	33057	CONNECTOR 7 WAY BLADE AND 4 WAY
71-5221	33060	CONNECTOR EXT.48" 4 WIRE FLAT PLUG W/LED
71-5223	33062	CONNECTOR EXT.48" 4 WIRE FLAT PLUG
71-5224	33063	CONNECTOR EXT.48" 4 WIRE FLAT PLUG W/LED
71-5225	33064	CONNECTOR Ext. 12" 4 WIRE FLAT PLUG
71-5226	33065	CONNECTOR EXT. 12" 4 WIRE FLAT PLUG W/LED
71-5227	33066	(2) CONNECTOR EXT. 12" 4 WIRE FLAT PLUG
71-5219	33058	(2) CONNECTOR KIT 7 WAY BLADE AND 4 WAY
71-5222	33061	(2) CONNECTOR ADAPTER 4 WIRE FLAT
71-5231	33070	DIODE; QUICK-LOCK RV TOWING 5AMP SET OF 4
71-5232	33071	DIODE; QUICK-LOCK RV TOWING 5AMP SINGLE
19-3217	30259	CONNECTOR 2-WAY FLAT PAK/2
19-3853	30280	(2) CONNECTOR 4-WAY FLAT PAK/1
19-3196	13192	4 WIRE FLAT TRL END HUSKY
19-3186	13092	7:4 MULTI-TOW ADAPTER HUSKY
19-3699	13166	(2) 4FLAT TO 7BLADE ADPT HUSKY
71-5220	33059	CONNECTOR KIT 4 WAY AND 7 WAY ROUND
19-3207	30315	(2) ADAPTER 6ROUND TO 4FLAT
19-3838	14437	ADAPT MULTI TOW 7 TO 5 4 HUSKY
19-3209	30692	(2) ADAPTER 7RD BLADE TO 5FLAT
19-3703	30693	(2) WIRING ADPTR 6-P AG-7-PIN
19-3189	13170	7BLADE TO 4FLAT ADAPT HUSKY
17-0658	30428	TAIL LIGHT CONV HUSKY
71-5229	33068	CONNECTOR TRAILER SIDE PLUG 7 RV BLADE
17-0674	32253	B/C HARNESS HUSKY T/S GM
17-0668	31866	B/C HARNESS HUSKY T/S GM
17-0662	31860	B/C HARNESS HUSKY T/S FORD
14-0982	30462	HUSKY LED BREAKAWAY SWITCH
17-0645	31555	(2) BRAKE CONTROLLER ESCORT
17-0655	31698	WIRING HARNESS HUSKY FORD
17-0646	31899	(3) BRAKE CONTROLLER QUESTT/S
17-0667	31865	B/C HARNESS HUSKY T/S GM
17-0666	31864	(2) B/C HARNESS HUSKY T/S DODGE
17-0694	31869	B/C HARNESS HUSKY T/S DODGE
17-0672	32079	B/C HARNESS HUSKY T/S '13 DGE
17-0690	31689	UNIVERSAL B/C HARNESS FORD
17-0664	31862	B/C HARNESS HUSKY T/S FORD
17-0659	31858	(2) B/C HARNESS HUSKY T/S NISSAN
17-0669	31867	(2) B/C HARNESS HUSKY T/S TOYOTA
19-3250	32582	(3) BRACKET 7&9WAY BLACK BULK
19-3247	32576	(4) CONNECTOR 7WAY PLAST CAR BULK
19-3246	32569	(4) CONNECTOR 6WAY ZINC TRL BULK
19-3218	30312	(4) CONNECTOR 4-WAY FLAT BULK

81-0829 32004KIT 4ft Wiring POG





### WEIGHT DISTRIBUTION DISPLAY STAND

Holds one Weight Distribution hitch including Centerline TS and Roundbar styles. Hitches sold separately.

71-3622 31370 W/D Display Stand



### 2-TIER WEIGHT DISTRIBUTION DISPLAY STAND

Holds two Weight Distribution hitches including Centerline TS and Roundbar styles. Hitches sold separately.

71-7966 33144 2 Tier W/D Display w/Header Card

### CENTERLINE TS® WEIGHT DISTRIBUTION POP DISPLAY

The Center Line TS display provides a graphics kit to display alongside Husky Centerline TS hitches for optimal point of purchase product support. The headercard supplies customers with Husky product information and specifications. Hitches sold separately.

71-3678 90237 Centerline TS Display Stand



### 5TH WHEEL DISPLAY STAND

Universal display stand holds all Husky 5th Wheel hitches including adapters. Hitches sold separately.

72-2668 33145 Universal Display Stand w/Header Card

## HUSKY® CLASS III RECEIVER HITCH APPLICATION CHART

Make/Model	Style	Years	Rec. Size	Husky #	Foot Notes	GTW / TW	WD / WDTW	Install Time
<b>ACURA</b>			2					
MDX	--	14 - 20	2	69549C	AA, Z	6.0 / 900	8.0 / 900	20
MDX		07 - 13	2	69576C	BB, M, I, Z	4.0 / 400	5.0 / 500	30
RDX		13 - 18	2	69570C	AA, Z	4.0 / 600	--	20
<b>AUDI</b>			2					
Q5	Excluding hybrid	09 - 17	2	69572C	BB, M, Z	5.0 / 750	--	30
<b>BMW</b>			2					
X3		11 - 17	2	69597C	AA, Q, V, Z	3.5 / 350	4.0 / 400	90
X4	--	15 - 18	2	69597C	AA, Q, V, Z	3.5 / 350	4.0 / 400	90
X5	--	07 - 18	2	69568C	A, E, M, Z	6.0 / 600	6.0 / 600	90
X6	--	14 - 19	2	69568C	A, E, M, Z	6.0 / 600	6.0 / 600	90
<b>BUICK</b>			2					
Enclave		08 - 17	2	69477C	AA, Z	5.0 / 500	6.0 / 600	30
<b>CADILLAC</b>			2					
SRX		10 - 16	2	69566C	AA, Z	5.0 / 500	6.0 / 600	30
<b>CHEVROLET</b>			2					
Blazer	--	19 - 19	2	69630C	AA, Z	5.0 / 750	6.0 / 750	20
C10	Excluding 10" step bumper	75 - 86	2	69593C	--	6.0 / 600	10 / 1000	60
C1500	With dual exhaust	88 - 99	2	69596C	Z	6.0 / 600	10 / 1000	30
C20	Excluding with 10" step bumper	76 - 86	2	69593C	--	6.0 / 600	10 / 1000	60
C20	Cab & chassis	78 - 86	2	69593C	--	6.0 / 600	10 / 1000	60
C2500	With dual exhaust	88 - 00	2	69596C	Z	6.0 / 600	10 / 1000	30
C2500	Cab & chassis	88 - 00	2	69593C	--	6.0 / 600	10 / 1000	60
C30	Excluding with 10" step bumper	76 - 86	2	69593C	--	6.0 / 600	10 / 1000	60
C3500	With dual exhaust	88 - 00	2	69596C	Z	6.0 / 600	10 / 1000	30
C3500	4-door crew cab	88 - 91	2	69593C	--	6.0 / 600	10 / 1000	60
C3500	Cab & chassis	88 - 00	2	69593C	--	6.0 / 600	10 / 1000	60
C3500HD	Cab & chassis	91 - 02	2	69593C	--	6.0 / 600	10 / 1000	60
Captiva Sport		12 - 15	2	69598C	A, M, Z	3.5 / 350	4.0 / 400	20
Colorado	--	15 - 19	2	69531C	AA, M, T, Z	6.0 / 900	8.0 / 900	30
		15 - 19	2	69534C	AA, T, Z	8.0 / 800	10 / 1000	30
Equinox	Excluding diesel	18 - 20	2	69611C	BB, M, Z	3.5 / 525	--	20
		05 - 17	2	69488C	Z, M	3.5 / 350	4.0 / 400	30
Express 1500	--	96 - 14	2	69469C	Z	6.0 / 600	10 / 1000	30
Express 2500	--	96 - 19	2	69469C	Z	6.0 / 600	10 / 1000	30
Express 3500	Excluding cutaway models	96 - 19	2	69469C	Z	6.0 / 600	10 / 1000	30
K10	Excluding 10" step bumper	76 - 86	2	69593C	--	6.0 / 600	10 / 1000	60
K1500	With dual exhaust	88 - 99	2	69596C	Z	6.0 / 600	10 / 1000	30
K20	Excluding with 10" step bumper	75 - 86	2	69593C	--	6.0 / 600	10 / 1000	60
K20	Cab & chassis	75 - 86	2	69593C	--	6.0 / 600	10 / 1000	60
K2500	With dual exhaust	88 - 00	2	69596C	Z	6.0 / 600	10 / 1000	30
K2500	Cab & chassis	88 - 00	2	69593C	--	6.0 / 600	10 / 1000	60
K30	Excluding with 10" step bumper	76 - 86	2	69593C	--	6.0 / 600	10 / 1000	60
K30	Cab & chassis	78 - 86	2	69593C	--	6.0 / 600	10 / 1000	60
K3500	With dual exhaust	88 - 00	2	69596C	Z	6.0 / 600	10 / 1000	30
K3500	Cab & chassis	88 - 00	2	69593C	--	6.0 / 600	10 / 1000	60

Make/Model	Style	Years	Rec. Size	Husky #	Foot Notes	GTW / TW	WD / WDTW	Install Time
<b>CHEVROLET</b>			2					
Silverado 1500	Without factory receiver	19 - 19	2	69627C	AA, Z	6.0 / 600	10 / 1000	60
Silverado 1500	Excluding roll pan bumper, Tommy Gate lift or 10" drop bumper	14 - 18	2	69524C	AA, Z	6.0 / 600	10 / 1000	10
Silverado 1500		07 - 18	2	69456C	T, Z	6.0 / 600	10 / 1000	30
Silverado 1500		99 - 14	2	69652C	M, Z	6.0 / 600	10 / 1000	30
Silverado 1500		99 - 06	2	69551C	Z	6.0 / 600	10 / 1000	30
Silverado 1500 Classic	Excluding roll pan bumper, Tommy Gate lift or 10" drop bumper	07 - 07	2	69652C	M, Z	6.0 / 600	10 / 1000	30
Silverado 1500 Classic		07 - 07	2	69551C	Z	6.0 / 600	10 / 1000	30
Silverado 1500 HD	Excluding roll pan bumper, Tommy Gate lift or 10" drop bumper	05 - 06	2	69652C	M, Z	6.0 / 600	10 / 1000	30
Silverado 1500 HD		05 - 06	2	69551C	Z	6.0 / 600	10 / 1000	30
Silverado 1500 HD	Excluding roll pan bumper, Tommy Gate lift or 10" drop bumper	01 - 03	2	69652C	M, Z	6.0 / 600	10 / 1000	30
Silverado 1500 HD		01 - 03	2	69551C	Z	6.0 / 600	10 / 1000	30
Silverado 1500 HD Classic	Excluding roll pan bumper, Tommy Gate lift or 10" drop bumper	07 - 07	2	69652C	M, Z	6.0 / 600	10 / 1000	30
Silverado 1500 HD Classic		07 - 07	2	69551C	Z	6.0 / 600	10 / 1000	30
Silverado 1500 LD	--	19 - 19	2	69524C	AA, Z	6.0 / 600	10 / 1000	10
Silverado 1500 LD		19 - 19	2	69456C	T, Z	6.0 / 600	10 / 1000	30
Silverado 2500	Excluding Tommy Gate lift, 10" drop bumper or cab & chassis	99 - 04	2	69652C	M, Z	6.0 / 600	10 / 1000	30
Silverado 2500		99 - 04	2	69551C	Z	6.0 / 600	10 / 1000	30
Silverado 2500	Cab & chassis	99 - 04	2	69593C	--	6.0 / 600	10 / 1000	60
Silverado 2500 HD	6' bed, excluding factory receiver, Tommy Gate lift or cab & chassis	15 - 19	2	69625C	AA, Z	8.0 / 800	12 / 1200	30
Silverado 2500 HD		01 - 06	2	69593C	--	6.0 / 600	10 / 1000	60
Silverado 2500 HD Classic	Cab & chassis	07 - 07	2	69593C	--	6.0 / 600	10 / 1000	60
Silverado 3500	Cab & chassis	01 - 06	2	69593C	--	6.0 / 600	10 / 1000	60
Silverado 3500 Classic	Cab & chassis	07 - 07	2	69593C	--	6.0 / 600	10 / 1000	60
Silverado 3500 HD	6' bed, excluding factory receiver, Tommy Gate lift or cab & chassis	15 - 19	2	69625C	AA, Z	8.0 / 800	12 / 1200	30
Traverse	--	18 - 19	2	69615C	BB, HE, M, Z	5.0 / 750	7.5 / 750	35
Traverse		09 - 17	2	69477C	AA, Z	5.0 / 500	6.0 / 600	30
<b>CHRYSLER</b>			2					
Pacifica		17 - 19	2	69616C	BB, D, HE, M, Z	4.0 / 400	5.0 / 500	45
Town & Country		08 - 16	2	69479C	Z	4.0 / 400	5.0 / 500	25
Town & Country		04 - 07	2	69588C	Z	3.5 / 350	4.0 / 400	30
Town & Country		96 - 07	2	69480C	AA	4.0 / 400	5.0 / 500	30
Voyager	--	00 - 03	2	69480C	AA	4.0 / 400	5.0 / 500	30
<b>DODGE</b>			2					
Caravan		04 - 07	2	69588C	Z	3.5 / 350	4.0 / 400	30
Caravan		96 - 07	2	69480C	AA	4.0 / 400	5.0 / 500	30
Dakota		97 - 04	2	69575C	Z	5.0 / 500	8.0 / 800	30
Dakota		87 - 96	2	69575C	--	5.0 / 500	8.0 / 800	30
Durango	Excluding SRT	11 - 19	2	69530C	BB, I, M, Z	6.0 / 600	7.5 / 750	10

Make/Model	Style	Years	Rec. Size	Husky #	Foot Notes	GTW / TW	WD / WDTW	Install Time
<b>DODGE</b>			2					
Grand Caravan		08 - 19	2	69479C	Z	4.0 / 400	5.0 / 500	25
Grand Caravan		04 - 07	2	69588C	Z	3.5 / 350	4.0 / 400	30
Grand Caravan		96 - 07	2	69480C	AA	4.0 / 400	5.0 / 500	30
Journey		09 - 19	2	69505C	M, Z	4.0 / 400	4.0 / 400	30
Ram 1500	Excluding factory receiver	03 - 10	2	69458C	K, Z	6.0 / 600	10 / 1000	30
Ram 1500		09 - 10	2	69607C	BB, M, Z	6.0 / 600	10 / 1000	49
Ram 1500	Excluding roll pan bumper	68 - 01	2	69571C	--	6.0 / 600	10 / 1000	60
Ram 2500	Excluding factory receiver	03 - 10	2	69458C	K, Z	6.0 / 600	10 / 1000	30
Ram 2500	Excluding roll pan bumper	68 - 02	2	69571C	--	6.0 / 600	10 / 1000	60
Ram 3500	Excluding factory receiver	03 - 10	2	69458C	K, Z	6.0 / 600	10 / 1000	30
Ram 3500	Excluding roll pan bumper	68 - 02	2	69571C	--	6.0 / 600	10 / 1000	60
Sprinter 2500	Step bumper	07 - 09	2	69556C	Z	5.0 / 500	7.5 / 750	30
Sprinter 3500	170" WB with factory step bumper	07 - 09	2	69556C	Z	5.0 / 500	7.5 / 750	30
<b>FORD</b>			2					
Bronco	--	78 - 96	2	69571C	--	6.0 / 600	10 / 1000	60
Country Squire		87 - 91	2	69586C	--	4.0 / 400	6.0 / 600	30
Crown Victoria		92 - 11	2	69586C	--	4.0 / 400	6.0 / 600	30
E-150	--	00 - 14	2	69498C	M	6.0 / 600	8.0 / 800	35
E-250	--	00 - 14	2	69498C	M	6.0 / 600	8.0 / 800	35
E-350 Super Duty	--	00 - 14	2	69498C	M	6.0 / 600	8.0 / 800	35
Edge		15 - 20	2	69550C	BB, M, V	4.0 / 600	--	30
Edge	Fits beneath factory 1-1/4" receiver hitch	07 - 14	2	69491C	BB, D, V	4.0 / 400	--	60
Escape		13 - 19	2	69518C	AA, V	3.5 / 350	5.0 / 500	40
Escape		05 - 12	2	69463C	M	3.5 / 350	5.0 / 500	30
Explorer	--	11 - 19	2	69621C	BB, M, Z	4.0 / 400	5.0 / 500	30
F Super Duty	Cab & chassis with 34" frame width (O.D.)	88 - 97	2	69593C	--	6.0 / 600	10 / 1000	60
F-100	Excluding 10" drop bumper, old body	73 - 83	2	69571C	--	6.0 / 600	10 / 1000	60
F-150	Without factory receiver, excluding Police Responder	15 - 19	2	69608C	AA, Z	6.0 / 900	10 / 1000	25
F-150		09 - 14	2	69512C	BB, Z	6.0 / 600	11 / 1100	15
F-150	New body	97 - 03	2	69601C	Z	6.0 / 600	10 / 1000	30
F-150	Excluding 10" drop bumper, old body	73 - 97	2	69571C	--	6.0 / 600	10 / 1000	60
F-150 Heritage Edition	--	04 - 04	2	69601C	Z	6.0 / 600	10 / 1000	30
F-250	Old body, excluding 10" drop bumper and 73 - 79 crew cab	73 - 99	2	69571C	--	6.0 / 600	10 / 1000	60
F-250	Crew cab	75 - 79	2	69593C	--	6.0 / 600	10 / 1000	60
F-250LD	New body	97 - 99	2	69601C	Z	6.0 / 600	10 / 1000	30
F-250 Super Duty	--	99 - 16	2	69601C	Z	6.0 / 600	10 / 1000	30
F-350	Old body, excluding with 10" drop bumper	73 - 97	2	69571C	--	6.0 / 600	10 / 1000	60
F-350	Cab & chassis with 34" frame width (O.D.)	73 - 97	2	69593C	--	6.0 / 600	10 / 1000	60
F-350 Super Duty	Excluding cab & chassis	99 - 16	2	69601C	Z	6.0 / 600	10 / 1000	30
F-450 Super Duty		08 - 16	2	69601C	Z	6.0 / 600	10 / 1000	30
Flex	With dual exhaust	09 - 19	2	69552C	BB, M, Z	4.0 / 400	4.0 / 400	40

Make/Model	Style	Years	Rec. Size	Husky #	Foot Notes	GTW / TW	WD / WDTW	Install Time
<b>FORD</b>			2					
LTD		79 - 86	2	69586C	--	4.0 / 400	6.0 / 600	30
LTD Crown Victoria		87 - 91	2	69586C	--	4.0 / 400	6.0 / 600	30
Police Interceptor Utility	--	13 - 19	2	69621C	BB, M, Z	4.0 / 400	5.0 / 500	30
Ranger	--	19 - 19	2	69629C	AA, Z	6.0 / 900	8.0 / 900	20
Ranger		83 - 11	2	69563C	M	4.0 / 400	6.0 / 600	30
Transit-150	--	15 - 19	2	69543C	BB, M, Z	6.0 / 900	8.0 / 900	15
Transit-250	--	15 - 19	2	69543C	BB, M, Z	6.0 / 900	8.0 / 900	15
Transit-350	--	15 - 19	2	69543C	BB, M, Z	6.0 / 900	8.0 / 900	15
Transit Connect		14 - 19	2	69558C	BB, M, Z	3.5 / 525	4.0 / 525	30
<b>FREIGHTLINER</b>			2					
Sprinter 2500	Cargo van with factory step bumper	07 - 19	2	69556C	Z	5.0 / 500	7.5 / 750	30
Sprinter 3500	Cargo van, 170" WB with factory step bumper	07 - 19	2	69556C	Z	5.0 / 500	7.5 / 750	30
<b>GMC</b>			2					
Acadia		07 - 16	2	69477C	AA, Z	5.0 / 500	6.0 / 600	30
Acadia Limited	--	17 - 17	2	69477C	AA, Z	5.0 / 500	6.0 / 600	30
C15	Excluding 10" step bumper	75 - 87	2	69593C	--	6.0 / 600	10 / 1000	60
C1500	With dual exhaust	88 - 99	2	69596C	Z	6.0 / 600	10 / 1000	30
C25	Excluding with 10" step bumper	75 - 78	2	69593C	--	6.0 / 600	10 / 1000	60
C25	Cab & chassis	75 - 78	2	69593C	--	6.0 / 600	10 / 1000	60
C2500		79 - 86	2	69593C	--	6.0 / 600	10 / 1000	60
C2500	With dual exhaust	88 - 00	2	69596C	Z	6.0 / 600	10 / 1000	30
C2500	Cab & chassis	79 - 00	2	69593C	--	6.0 / 600	10 / 1000	60
C35	Excluding with 10" step bumper	75 - 78	2	69593C	--	6.0 / 600	10 / 1000	60
C35	Cab & chassis	75 - 78	2	69593C	--	6.0 / 600	10 / 1000	60
C3500		79 - 86	2	69593C	--	6.0 / 600	10 / 1000	60
C3500	With dual exhaust	88 - 00	2	69596C	Z	6.0 / 600	10 / 1000	30
C3500	Cab & chassis	79 - 00	2	69593C	--	6.0 / 600	10 / 1000	60
C3500HD	Cab & chassis	91 - 02	2	69593C	--	6.0 / 600	10 / 1000	60
Canyon	--	15 - 19	2	69531C	AA, M, T, Z	6.0 / 900	8.0 / 900	30
Canyon		15 - 19	2	69534C	AA, T, Z	8.0 / 800	10 / 1000	30
K15	Excluding 10" step bumper	75 - 87	2	69593C	--	6.0 / 600	10 / 1000	60
K1500	With dual exhaust	88 - 99	2	69596C	Z	6.0 / 600	10 / 1000	30
K25	Excluding with 10" step bumper	75 - 78	2	69593C	--	6.0 / 600	10 / 1000	60
K25	Cab & chassis	75 - 78	2	69593C	--	6.0 / 600	10 / 1000	60
K2500		79 - 86	2	69593C	--	6.0 / 600	10 / 1000	60
K2500	With dual exhaust	88 - 00	2	69596C	Z	6.0 / 600	10 / 1000	30
K2500	4-door crew cab	88 - 91	2	69593C	--	6.0 / 600	10 / 1000	60
K2500	Cab & chassis	79 - 00	2	69593C	--	6.0 / 600	10 / 1000	60
K35	Excluding with 10" step bumper	75 - 78	2	69593C	--	6.0 / 600	10 / 1000	60
K35	Cab & chassis	75 - 78	2	69593C	--	6.0 / 600	10 / 1000	60
K3500		79 - 86	2	69593C	--	6.0 / 600	10 / 1000	60
K3500	With dual exhaust	88 - 00	2	69596C	Z	6.0 / 600	10 / 1000	30
K3500	4-door crew cab	88 - 91	2	69593C	--	6.0 / 600	10 / 1000	60
K3500	Cab & chassis	79 - 00	2	69593C	--	6.0 / 600	10 / 1000	60
Savana 1500	--	96 - 14	2	69469C	Z	6.0 / 600	10 / 1000	30

Make/Model	Style	Years	Rec. Size	Husky #	Foot Notes	GTW / TW	WD / WDTW	Install Time
<b>GMC</b>			2					
Savana 2500	--	96 - 19	2	69469C	Z	6.0 / 600	10 / 1000	30
Savana 3500	Excluding cutaway models	96 - 19	2	69469C	Z	6.0 / 600	10 / 1000	30
Sierra 1500	Without factory receiver	19 - 19	2	69627C	AA, Z	6.0 / 600	10 / 1000	60
Sierra 1500	Excluding roll pan bumper, Tommy Gate lift or 10" drop bumper	14 - 18	2	69524C	AA, Z	6.0 / 600	10 / 1000	10
Sierra 1500		07 - 18	2	69456C	T, Z	6.0 / 600	10 / 1000	30
Sierra 1500		99 - 14	2	69652C	M, Z	6.0 / 600	10 / 1000	30
Sierra 1500		99 - 06	2	69551C	Z	6.0 / 600	10 / 1000	30
Sierra 1500 Classic	Excluding roll pan bumper, Tommy Gate lift or 10" drop bumper	07 - 07	2	69652C	D, M, Z	6.0 / 600	10 / 1000	30
Sierra 1500 Classic		07 - 07	2	69551C	Z	6.0 / 600	10 / 1000	30
Sierra 1500 HD	Excluding 10" drop bumper, roll pan bumper or Tommy Gate lift	05 - 06	2	69652C	M, Z	6.0 / 600	10 / 1000	30
Sierra 1500 HD		05 - 06	2	69551C	Z	6.0 / 600	10 / 1000	30
Sierra 1500 HD	Excluding 10" drop bumper, roll pan bumper or Tommy Gate lift	01 - 03	2	69652C	M, Z	6.0 / 600	10 / 1000	30
Sierra 1500 HD		01 - 03	2	69551C	Z	6.0 / 600	10 / 1000	30
Sierra 1500 HD Classic	Excluding roll pan bumper, Tommy Gate lift or 10" drop bumper	07 - 07	2	69652C	D, M, Z	6.0 / 600	10 / 1000	30
Sierra 1500 HD Classic		07 - 07	2	69551C	Z	6.0 / 600	10 / 1000	30
Sierra 1500 Limited		19 - 19	2	69524C	AA, Z	6.0 / 600	10 / 1000	10
Sierra 1500 Limited		19 - 19	2	69456C	T, Z	6.0 / 600	10 / 1000	30
Sierra 2500	Excluding Tommy Gate lift, 10" drop bumper or cab & chassis	99 - 04	2	69652C	M, Z	6.0 / 600	10 / 1000	30
Sierra 2500		99 - 04	2	69551C	Z	6.0 / 600	10 / 1000	30
Sierra 2500	Cab & chassis	99 - 04	2	69593C	--	6.0 / 600	10 / 1000	60
Sierra 2500 HD	6' bed, excluding factory receiver, Tommy Gate lift or cab & chassis	15 - 19	2	69625C	AA, Z	8.0 / 800	12 / 1200	30
Sierra 2500 HD		01 - 06	2	69593C	--	6.0 / 600	10 / 1000	60
Sierra 2500 HD Classic	Cab & chassis	07 - 07	2	69593C	--	6.0 / 600	10 / 1000	60
Sierra 3500	Cab & chassis	01 - 06	2	69593C	--	6.0 / 600	10 / 1000	60
Sierra 3500 Classic	Cab & chassis	07 - 07	2	69593C	--	6.0 / 600	10 / 1000	60
Sierra 3500 HD	6' bed, excluding factory receiver, Tommy Gate lift or cab & chassis	15 - 19	2	69625C	AA, Z	8.0 / 800	12 / 1200	30
Terrian	Excluding diesel	18 - 20	2	69611C	BB, M, Z	3.5 / 525	6.0 / 600	20
Terrian		10 - 17	2	69488C	M, Z	3.5 / 350	4.0 / 400	30
<b>HONDA</b>			2					
CR-V		17 - 19	2	69622C	AA, B, D, Z	3.5 / 525	--	30
CR-V		12 - 16	2	69510C	BB, M, V, Z	3.5 / 350	--	30
CR-V		07 - 11	2	69555C	M, Z	3.5 / 350	--	30
CR-V		02 - 06	2	69581C	Z	3.5 / 350	--	30
CR-V		97 - 01	2	69592C	--	3.5 / 350	--	40
Odyssey		99 - 17	2	69476C	BB, M, Z	3.5 / 350	5.0 / 500	20
Pilot	--	16 - 20	2	69549C	AA, Z	6.0 / 900	8.0 / 900	20
<b>HYUNDAI</b>			2					
Santa Fe	--	19 - 19	2	69548C	BB, M, Z	5.0 / 500	--	45
Santa Fe		13 - 18	2	69559C	Z	6.0 / 900	8.0 / 900	15
Santa Fe Sport		13 - 18	2	69547C	BB, M, V, Z	6.0 / 900	8.0 / 900	20

Make/Model	Style	Years	Rec. Size	Husky #	Foot Notes	GTW / TW	WD / WDTW	Install Time
<b>HYUNDAI</b>				2				
Santa Fe XL	--	19 - 19	2	69559C	Z	6.0 / 900	8.0 / 900	15
Tucson		16 - 19	2	69565C	AA, Z	3.5 / 525	--	20
Tucson		10 - 15	2	69560C	AA, Z	3.5 / 350	--	15
Tucson		10 - 15	2	69570C	AA, Z	3.5 / 525	5.2 / 525	15
Tucson		05 - 09	2	69594C	AA, Z	3.5 / 350	--	30
<b>INFINITI</b>				2				
QX60	--	14 - 19	2	69554C	AA, D, Z	4.0 / 600	5.0 / 600	40
<b>ISUZU</b>				2				
<b>JEEP</b>				2				
Cherokee		14 - 19	2	69595C	BB, Z	5.0 / 750	6.0 / 750	30
Cherokee		14 - 18	2	69573C	AA, D, Z	5.0 / 750	6.0 / 750	50
Grand Cherokee	Excluding SRT, SRT8 or Trackhawk	12 - 19	2	69530C	BB, M, Z	6.0 / 600	7.5 / 750	10
Grand Cherokee	Excluding SRT, SRT8, Trackhawk or diesel	11 - 17	2	69532C	AA, Z	5.0 / 500	7.5 / 750	10
Grand Cherokee	Excluding SRT8	05 - 10	2	69533C	K, Z	5.0 / 500	5.5 / 550	30
Liberty		08 - 12	2	69567C	Z	5.0 / 500	7.5 / 750	20
Renegade		15 - 18	2	69574C	BB, HE, M, Z	3.5 / 525	--	30
Wrangler	JL	18 - 19	2	69613C	B, HE, Z	3.5 / 350	4.0 / 400	20
Wrangler	JK	07 - 18	2	69482C	Z	3.5 / 350	4.0 / 400	20
Wrangler		97 - 06	2	69612C	Z	4.0 / 400	--	35
<b>KIA</b>				2				
Sedona	--	15 - 19	2	69585C	BB, M, Z	4.0 / 400	4.0 / 400	30
Sorento	--	16 - 19	2	69548C	BB, M, Z	5.0 / 750	--	45
Sorento		14 - 15	2	69547C	BB, M, V, Z	6.0 / 900	8.0 / 900	20
Sportage		17 - 20	2	69603C	AA, Z	3.5 / 525	--	20
Sportage		11 - 16	2	69570C	AA, Z	3.5 / 525	5.2 / 525	15
Sportage		11 - 15	2	69560C	AA, Z	3.5 / 350	--	15
Sportage		04 - 10	2	69594C	AA, Z	3.5 / 350	--	30
<b>LEXUS</b>				2				
GX460	--	10 - 19	2	69590C	Z	5.0 / 500	5.0 / 500	15
GX470	--	03 - 09	2	69577C	M, Z	5.0 / 500	5.5 / 550	25
RX350	--	16 - 19	2	69584C	AA, Z	4.0 / 600	5.0 / 600	20
RX350		10 - 15	2	69557C	AA, V, Z	4.0 / 400	5.0 / 500	35
RX450h		10 - 15	2	69557C	AA, V, Z	4.0 / 400	5.0 / 500	35
<b>LINCOLN</b>				2				
Mark VI		80 - 83	2	69586C	R	4.0 / 400	6.0 / 600	30
MKT	With EcoBoost	10 - 17	2	69552C	BB, M, Z	4.0 / 400	4.0 / 400	40
MKX		07 - 15	2	69491C	BB, V	4.0 / 400	--	60
Town Car		81 - 11	2	69586C	--	4.0 / 400	6.0 / 600	30
<b>MAZDA</b>				2				
B2300		01 - 09	2	69563C	M	4.0 / 400	6.0 / 600	30
B2300		94 - 97	2	69563C	M	4.0 / 400	6.0 / 600	30
B2500		98 - 01	2	69563C	M	4.0 / 400	6.0 / 600	30
B3000		98 - 07	2	69563C	M	4.0 / 400	6.0 / 600	30
B3000		94 - 96	2	69563C	M	4.0 / 400	6.0 / 600	30
B4000		94 - 09	2	69563C	M	4.0 / 400	6.0 / 600	30
CX-5		13 - 19	2	69602C	AA, Z	4.0 / 600	--	20

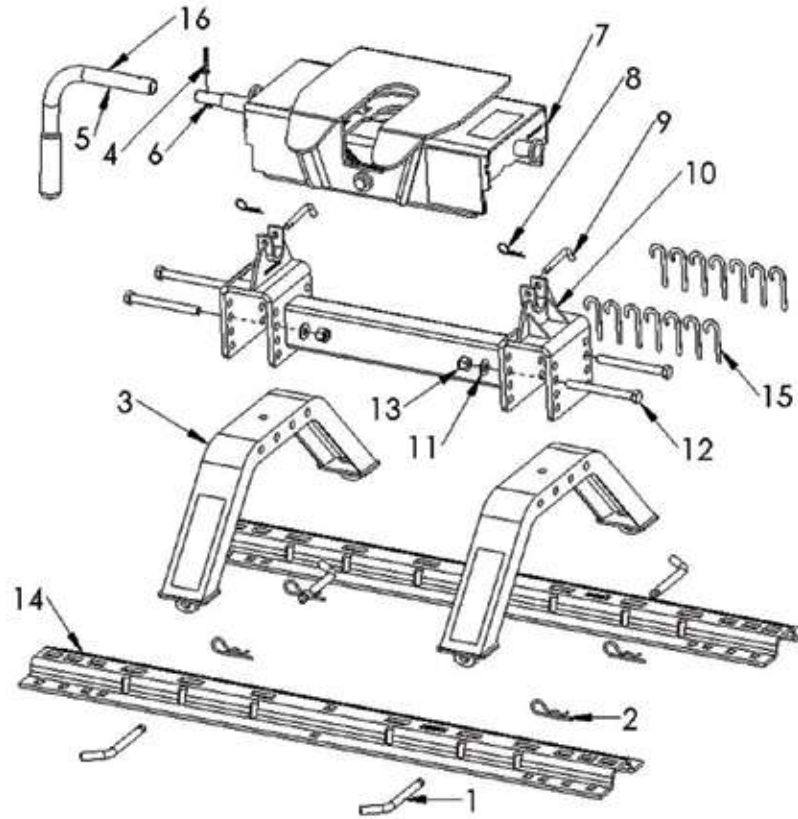
Make/Model	Style	Years	Rec. Size	Husky #	Foot Notes	GTW / TW	WD / WDTW	Install Time
<b>MAZDA</b>				2				
CX-9		16 - 19	2	69617C	AA, Z	4.0 / 600	5.0 / 600	30
CX-9		07 - 15	2	69587C	Z	4.0 / 400	--	30
Tribute		08 - 11	2	69463C	M	3.5 / 350	5.0 / 500	30
Tribute		05 - 06	2	69463C	M	3.5 / 350	5.0 / 500	30
<b>MERCEDES-BENZ</b>				2				
Sprinter 2500	Cargo van with factory step bumper	10 - 19	2	69556C	Z	5.0 / 500	7.5 / 750	30
Sprinter 3500	Cargo van, 170" WB with factory step bumper	10 - 19	2	69556C	Z	5.0 / 500	7.5 / 750	30
<b>MERCURY</b>				2				
Grand Marquis		83 - 09	2	69586C	--	4.0 / 400	6.0 / 600	30
Grand Marquis		79 - 86	2	69586C	--	4.0 / 400	6.0 / 600	30
Marauder		03 - 04	2	69586C	--	4.0 / 400	6.0 / 600	30
Mariner		05 - 11	2	69463C	M	3.5 / 350	5.0 / 500	30
<b>MITSUBISHI</b>				2				
Outlander	--	14 - 19	2	69578C	BB, M, Z	4.0 / 600	4.0 / 600	30
Outlander Sport		11 - 19	2	69609C	BB, M, Z	3.5 / 350	--	15
RVR		11 - 15	2	69609C	BB, M, Z	3.5 / 350	--	15
<b>NISSAN</b>				2				
Frontier	--	05 - 19	2	69499C	AA, Z	5.0 / 500	8.0 / 800	15
Murano	--	15 - 19	2	69540C	M, Z	3.5 / 350	--	30
Murano	--	03 - 07	2	69599C	M, Z	3.5 / 350	--	30
Pathfinder		13 - 16	2	69554C	AA, D, Z	4.0 / 600	5.0 / 600	40
Rogue		08 - 19	2	69544C	AA, Z	3.5 / 525	--	45
Rogue Select		14 - 15	2	69544C	AA, Z	3.5 / 525	--	45
Titan	S	17 - 19	2	69610C	BB, M, Z	8.0 / 800	12 / 1200	15
Titan	SV	17 - 19	2	69610C	BB, M, Z	8.0 / 800	12 / 1200	15
Xterra	--	05 - 15	2	69569C	M, Z	4.0 / 400	6.0 / 600	30
<b>PLYMOUTH</b>				2				
Voyager		96 - 00	2	69480C	AA	4.0 / 400	5.0 / 500	30
<b>PONTIAC</b>				2				
Torrent		06 - 09	2	69488C	M, Z	3.5 / 350	4.0 / 400	30
<b>PORSCHE</b>				2				
Macan	--	15 - 18	2	69572C	BB, D, M	5.0 / 750	--	30
<b>RAM</b>				2				
C/V		12 - 16	2	69479C	Z	4.0 / 400	5.0 / 500	25
ProMaster 1500	--	14 - 19	2	69589C	BB, Z	5.0 / 500	--	20
ProMaster 2500	--	14 - 19	2	69589C	BB, Z	5.0 / 500	--	20
ProMaster 3500	--	14 - 19	2	69589C	BB, Z	5.0 / 500	--	20
1500		11 - 18	2	69458C	K, Z	6.0 / 600	10 / 1000	30
1500		11 - 18	2	69607C	BB, M, Z	6.0 / 600	10 / 1000	49
1500 Classic	Excluding factory receiver	19 - 19	2	69458C	K, Z	6.0 / 600	10 / 1000	30
1500 Classic		19 - 19	2	69607C	BB, M, Z	6.0 / 600	10 / 1000	49
2500		11 - 13	2	69458C	K, Z	6.0 / 600	10 / 1000	30
2500	8' bed, excluding factory receiver	11 - 13	2	69458C	K, Z	6.0 / 600	10 / 1000	30
3500	6' bed, excluding factory receiver	11 - 13	2	69458C	K, Z	6.0 / 600	10 / 1000	30
3500	8' bed, excluding factory receiver	11 - 13	2	69458C	K, Z	6.0 / 600	10 / 1000	30



Make/Model	Style	Years	Rec. Size	Husky #	Foot Notes	GTW / TW	WD / WDTW	Install Time
<b>SATURN</b>				2				
Outlook	--	07 - 10	2	69477C	AA, Z	5.0 / 500	6.0 / 600	30
Vue		08 - 10	2	69598C	A, M, Z	3.5 / 350	4.0 / 400	20
Vue		02 - 07	2	69488C	M, D, Z	3.5 / 350	4.0 / 400	30
<b>SUBARU</b>				2				
Crosstrek		18 - 19	2	69614C	AA, HE, Z	3.5 / 525	--	30
Crosstrek		16 - 17	2	69605C	AA, Z	3.5 / 525	--	30
Crosstrek	Hybrid only	16 - 16	2	69605C	AA, Z	3.5 / 525	--	30
Forester		19 - 20	2	69628C	BB, HE, M	3.5 / 525	--	30
Forester		14 - 18	2	69546C	BB, M	3.5 / 525	--	30
Forester		09 - 13	2	69564C	BB, M, Z	4.0 / 400	--	30
Legacy		15 - 19	2	69542C	BB, M	4.0 / 600	--	45
Outback	Wagon	14 - 19	2	69541C	BB, M	4.0 / 600	--	45
XV Crosstrek		13 - 15	2	69605C	AA, Z	3.5 / 525	--	30
<b>SUZUKI</b>				2				
Equator	--	09 - 12	2	69499C	AA, Z	5.0 / 500	8.0 / 800	15
<b>TOYOTA</b>				2				
4Runner	--	03 - 09	2	69577C	M, Z	5.0 / 500	5.5 / 550	25
Highlander	--	14 - 19	2	69529C	BB, D, M, Z	6.0 / 900	8.0 / 900	30
Highlander		08 - 13	2	69475C	J, M, Z	5.0 / 500	--	45
RAV4		06 - 18	2	69470C	BB, M, Z	3.5 / 525	4.0 / 525	15
RAV4		96 - 05	2	69600C	Z	4.0 / 400	--	30
Sienna		04 - 20	2	69481C	BB, M, V, Z	3.5 / 350	5.0 / 500	25
Tacoma	Excluding factory receiver	16 - 19	2	69545C	AA, Z	6.0 / 900	8.0 / 900	20
Tacoma	--	05 - 15	2	69472C	Z	5.0 / 500	5.5 / 550	45
Tacoma		95 - 04	2	69553C	Z	5.0 / 500	6.0 / 600	60
Tundra	Excluding factory receiver	07 - 19	2	69618C	BB, M, Z	6.0 / 600	8.0 / 800	35
Venza		09 - 16	2	69580C	BB, M, Z	3.5 / 350	4.0 / 400	30
<b>VOLKSWAGEN</b>				2				
Routan		09 - 14	2	69479C	AA, Z	4.0 / 400	5.0 / 500	25
Tiguan		18 - 19	2	69620C	AA, Z	3.5 / 525	--	20
Tiguan		09 - 17	2	69591C	AA, Z	3.5 / 350	--	20
<b>VOLVO</b>				2				
XC90		03 - 14	2	69583C	D, Z	3.5 / 350	5.0 / 500	30

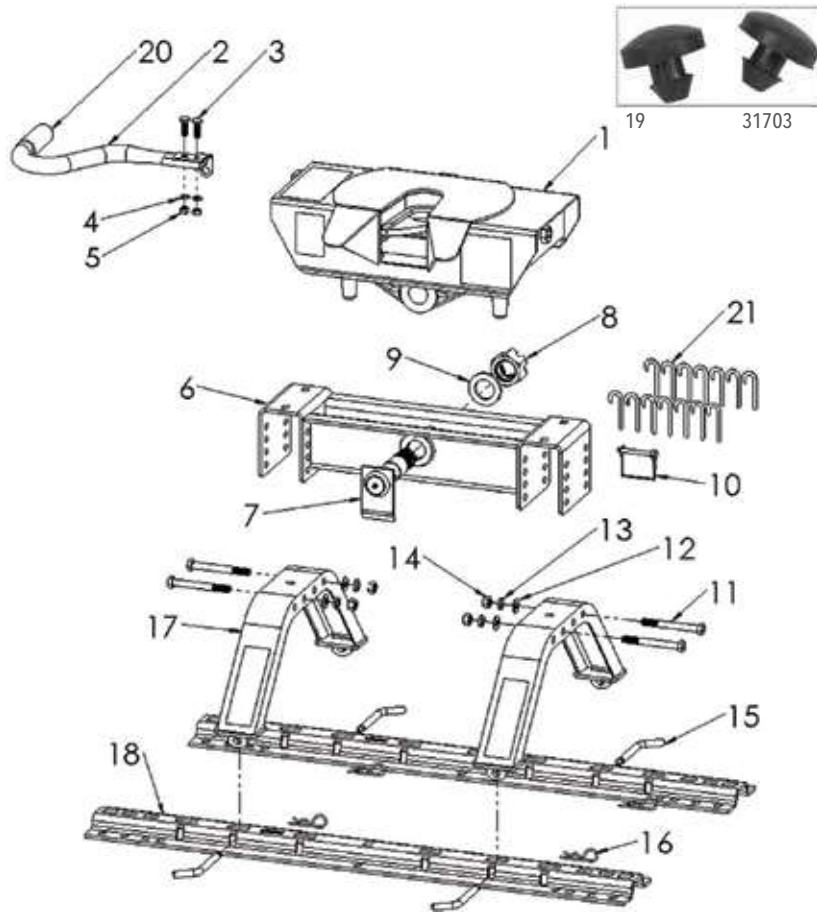
**FOOTNOTES**

A - Allow additional installation time	L - Fixed draw bar
AA - Main body concealed	M - Round tube main body
B - Relocate or modify exhaust	N - Continued while supplies last
BB - Main body exposed	P - Not with roll pan bumper
CC - Roll pan modification required	Q - Temporary bumper removal
CF - Carbide black finish	R - Boxed due to bolt-on arms
D - Minor fascia trim required	T - Minor modifications required
E - Noticeable fascia trim required	TG - Compatible with Tommy Gate lifts
F - Will not fit vehicles with ground effects	U - May require battery removal
G - Additional install with load level air compressors	V - Undercar trimming (not fascia) required
H - Will not fit vehicles with twin tailpipes	VT - Vertical receiver tube
HE - Hole enlargement required	W - Only vehicles with boxed rear bumper
I - Will not fit with full size spare	X - 158" WB models require brace removal
J - No spare tire relocation	118" WB models require spare tire relocation
K - OEM-style hitch	Z - No drilling required



NO.	DESCRIPTION	31313 QTY	31314 QTY	31452 QTY	31453 QTY	31454 QTY	31455 QTY	31456 QTY	31458 QTY	32043 QTY
1	PIN, 1/2" BASE RAIL	4	-	-	-	-	4	-	-	-
2	PIN, 1/2" HAIR	4	-	-	-	-	4	-	-	-
3	UPRIGHT	2	2	-	-	-	-	-	-	-
4	HEX HEAD BOLT, 1/4-20 UNC X 1.375 LG	1	-	-	1	1	-	-	-	-
5	HANDLE	1	-	-	1	1	-	-	-	-
6	NUT, NYLON LOCK, 1/4-20 UNC	1	-	-	1	1	-	-	-	-
7	16K S 5TH WHEEL HEAD ASSEMBLY	1	-	-	1	-	-	-	-	-
8	PIN, 3/8" HAIR	2	-	-	2	-	2	2	-	-
9	PIN, 3/8" CLEVIS	2	-	-	2	-	2	2	-	-
10	CROSSMEMBER	1	-	1	-	-	-	-	-	-
11	1/2" FLAT WASHER	4	-	4	-	-	4	-	4	-
12	1/2-13 UNC X 5 LONG HEX BOLT	4	-	4	-	-	4	-	4	-
13	1/2-13 UNC NYLOCK HEX NUT	4	-	4	-	-	4	-	4	-
14	BASE RAIL FOR 5TH WHEEL (NOT INCLUDED)	NA	NA	NA	NA	NA	NA	NA	NA	NA
15	SHIM KIT	-	14	-	-	-	-	-	-	14
16	RUBBER GRIP	1	-	-	-	-	-	-	-	-
17	INSTRUCTIONS (NOT SHOWN)	1	1	-	-	-	-	-	-	1

- 31313 16K S HEAD AND CROSS MEMBER PACKAGE
- 31314 2 UPRIGHTS PACKAGE
- 31452 CROSSMEMBER PACKAGE
- 31453 16K S HEAD AND HANDLE PACKAGE
- 31454 HANDLE KIT
- 31455 16K S COMPLETE HARDWARE KIT
- 31456 16K S HITCH HEAD RETAINING PINS
- 31458 CROSSMEMBER HARDWARE KIT
- 32043 SHIM KIT

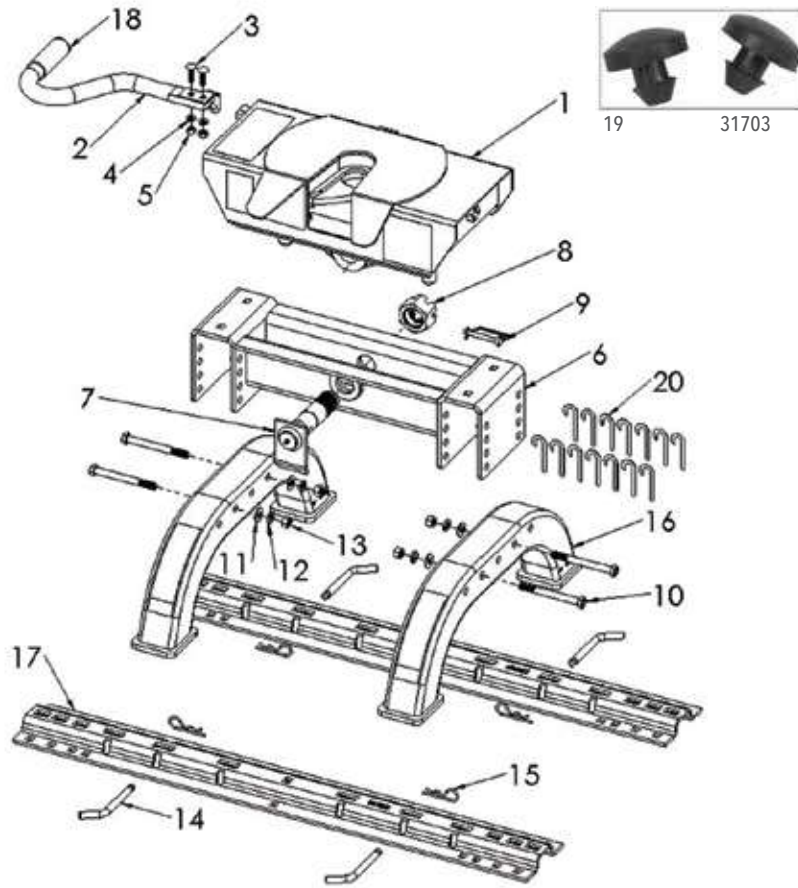


NO.	DESCRIPTION	BOX 1	BOX 2		31573	31574	31575	31576	31580	31581	31579	31703	32043
		31326	31326	31314									
1	16K 5TH WHEEL HEAD ASSEMBLY	1	-	-	-	-	-	-	-	1	-	-	-
2	HANDLE	1	-	-	1	-	-	-	-	-	-	-	-
3	CARRIAGE BOLT, 3/8-16 X 1.25" LONG	2	-	-	2	-	-	-	-	-	-	-	-
4	LOCK WASHER, 3/8" ID	2	-	-	2	-	-	-	-	-	-	-	-
5	HEX NUT, 3/8-16	2	-	-	2	-	-	-	-	-	-	-	-
N/A	INSTRUCTIONS 16K (NOT SHOWN)	1	1	-	1	1	1	1	1	1	1	-	1
6	CROSSMEMBER	-	1	-	-	-	-	-	1	-	-	-	-
7	PIVOT PIN	-	1	-	-	1	-	-	-	-	-	-	-
8	CASTLE NUT, 1-1/2-12	-	1	-	-	1	-	-	-	-	-	-	-
9	CASTLE NUT SPACER WASHER	-	1	-	-	1	-	-	-	-	-	-	-
10	SAFETY LOCKING PIN	-	1	-	-	1	-	-	-	-	-	-	-
11	HEX HEAD BOLT, 1/2-13 X 4.5" LONG	-	4	-	-	-	4	-	-	-	-	-	-
12	WASHER, 1/2"	-	4	-	-	-	4	-	-	-	-	-	-
13	LOCK WASHER, 1/2"	-	4	-	-	-	4	-	-	-	-	-	-
14	HEX NUT, 1/2-13 UNC	-	4	-	-	-	4	-	-	-	-	-	-
15	1/2" BASE RAIL PIN	-	4	-	-	-	4	-	-	-	-	-	-
16	HAIR PIN	-	4	-	-	-	4	-	-	-	-	-	-
17	UPRIGHT	-	-	2	-	-	-	-	-	-	-	-	-
18	BASE RAIL FOR 5TH WHEEL (NOT INCLUDED)	NA	NA	NA	NA	NA	NA	NA	NA	NA	NA	NA	NA
19	RUBBER BUMPER	-	2	-	-	-	-	2	-	-	-	2	-
20	FOAM GRIP HANDLE	1	-	-	1	-	-	-	-	-	2	-	-
21	SHIM KIT	-	-	14	-	-	-	-	-	-	-	-	14

- 31326 16K HEAD AND YOKE BOX 1/2
- 31326 CROSSMEMBER AND PIVOT PIN BOX 2/2
- 31314 UPRIGHTS
- 31573 HANDLE KIT

- 31574 PIVOT PIN KIT
- 31575 CROSS BEAM HARDWARE KIT
- 31576 BASE RAIL HARDWARE KIT
- 31580 CROSS BEAM KIT

- 31581 HEAD & YOKE KIT
- 31579 HANDLE GRIP KIT
- 31703 RUBBER BUMPER KIT
- 32043 SHIM KIT



NO.	DESCRIPTION	BOX 1		BOX 2		31325	31573	31574	31839	31576	31577	31578	31579	31703	32043
		31318	QTY	31318	QTY										
1	26K 5TH WHEEL HEAD ASSEMBLY	1	-	-	-	-	-	-	-	-	-	1	-	-	-
2	HANDLE	1	-	-	1	-	-	-	-	-	-	-	-	-	-
3	CARRIAGE BOLT, 3/8-16 X 1.25" L	2	-	-	2	-	-	-	-	-	-	-	-	-	-
4	LOCK WASHER, 3/8" ID	2	-	-	2	-	-	-	-	-	-	-	-	-	-
5	HEX NUT, 3/8-16	2	-	-	2	-	-	-	-	-	-	-	-	-	-
N/A	INSTRUCTIONS 26K (NOT SHOWN)	1	1	1	1	1	1	1	1	1	1	1	1	1	1
6	CROSSMEMBER	-	1	-	-	-	-	-	-	1	-	-	-	-	-
7	PIVOT PIN	-	1	-	-	1	-	-	-	-	-	-	-	-	-
8	CASTLE NUT, 1-1/2-12	-	1	-	-	1	-	-	-	-	-	-	-	-	-
9	SAFETY LOCKING PIN	-	1	-	-	1	-	-	-	-	-	-	-	-	-
10	HEX HEAD BOLT, 1/2-13 X 4.5" LONG	-	4	-	-	-	-	4	-	-	-	-	-	-	-
11	WASHER, 1/2" ID	-	4	-	-	-	-	4	-	-	-	-	-	-	-
12	LOCK WASHER, 1/2" ID	-	4	-	-	-	-	4	-	-	-	-	-	-	-
13	HEX NUT, 1/2-13 UNC	-	4	-	-	-	-	4	-	-	-	-	-	-	-
14	CLEVIS PIN, 1/2" OD X 2.50" LG	-	4	-	-	-	-	-	4	-	-	-	-	-	-
15	HAIR PIN	-	4	-	-	-	-	-	4	-	-	-	-	-	-
16	UPRIGHT	-	-	2	-	-	-	-	-	-	-	-	-	-	-
17	BASE RAIL FOR 5TH WHEEL(NOT INCLUDED)	NA	NA	NA	NA	NA	NA	NA	NA	NA	NA	NA	NA	NA	NA
18	HANDLE, FOAM GRIP	1	-	-	1	-	-	-	-	-	-	-	2	-	-
19	RUBBER BUMPER	-	2	-	-	-	-	-	-	-	2	-	-	2	-
20	SHIM KIT	-	-	14	-	-	-	-	-	-	-	-	-	-	14

31318 26K W HEAD & YOKE, BOX 1/2

31318 26k W CROSSMEMBER & PIVOT PIN, BOX 2/ 2

31325 UPRIGHT KIT

31573 HANDLE KIT

31574

PIVOT PIN KIT

31839 CROSS BEAM HARDWARE KIT

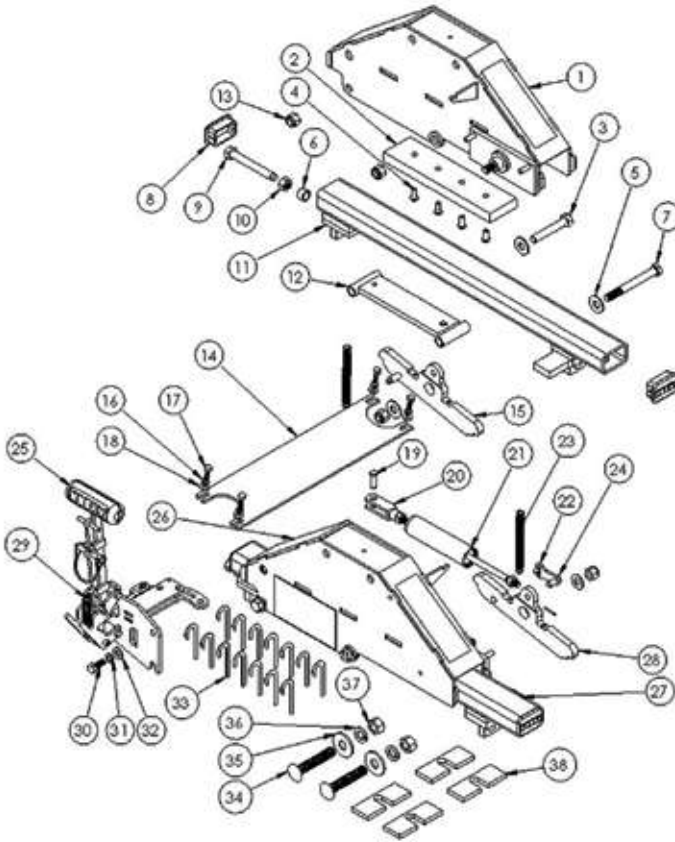
31576 BASE RAIL HARDWARE KIT

31577 26K W CROSSMEMBER KIT

31578 26K W HEAD & YOKE KIT

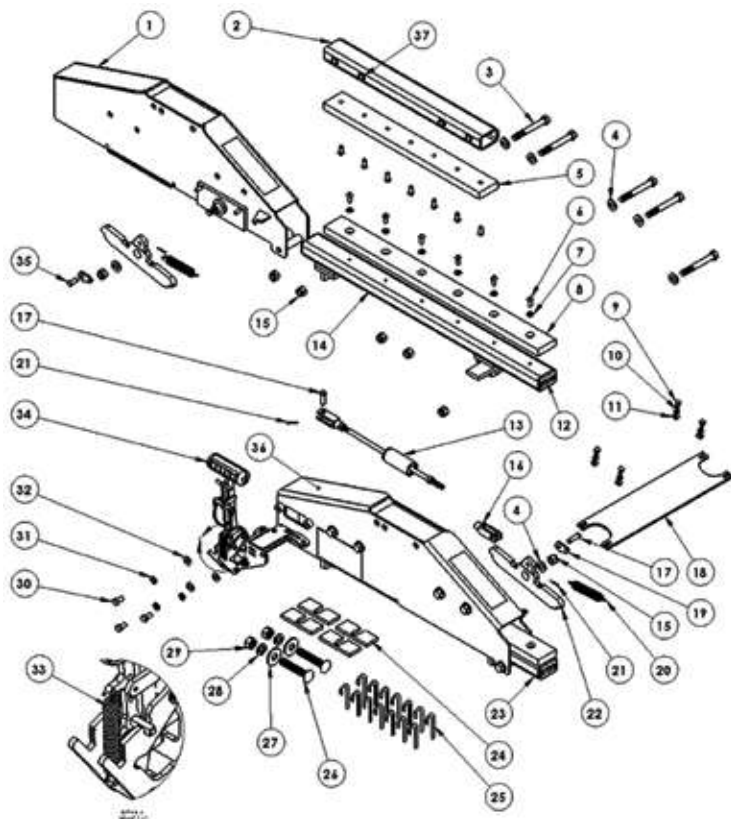
31579 HANDLE GRIP KIT

32043 SHIM KIT



- 31196 3 BOX SET FOR 16K HUSKY 10 GLIDER
- 32043 SHIM KIT
- 31751 16K HUSKY 10 PULL HANDLE SERVICE KIT
- 31752 3/8" HARDWARE KIT FOR 16K HUSKY 10 PULL HANDLE
- 31789 16K HUSKY 10 GLIDING PAD SERVICE KIT
- 31795 16K HUSKY 10 COMPRESSION CYLINDER ASSY SERVICE KIT
- 32048 HUSKY 10 HANDLE RETURN SPRING SERVICE KIT
- 31796 16K HUSKY 10 PS PIVOT ASSEMBLY SERVICE KIT
- 31797 16K HUSKY 10 CLEVIS-COTTER PIN SERVICE KIT
- 31803 16K HUSKY 10 PIVOT PLATE ASSEMBLY SERVICE KIT
- 31804 16K HUSKY 10, HOUSING HARDWARE (1/2") SERVICE KIT
- 32054 HUSKY 10 END TUBE PLUGS SERVICE KIT
- 31805 16K HUSKY 10 PIVOT RETURN SPRING SERVICE KIT
- 32058 PIVOT PLATE HARDWARE SERVICE KIT
- 32059 CENTER BOLT SERVICE KIT
- 31806 BUMP STOP SERVICE KIT
- 31745 DRIVER SIDE 16K HUSKY 10 ASSEMBLY SERVICE KIT
- 31748 PASSENGER SIDE 16K HUSKY 10 ASSEMBLY SERVICE KIT

NO.	DESCRIPTION	31196	32043	31751	31752	31789	31795	32048	31796	31797	31803	31804	32054	31805	32058	32059	31806	31745	31748	
		QTY	QTY	QTY	QTY	QTY	QTY	QTY	QTY	QTY	QTY	QTY	QTY	QTY	QTY	QTY	QTY	QTY	QTY	QTY
1	PASSENGER SIDE HOUSING WELDMENT	1	-	-	-	-	-	-	-	-	-	-	-	-	-	-	-	-	-	1
2	GLIDE PAD	2	-	-	-	2	-	-	-	-	-	-	-	-	-	-	-	-	1	1
3	1/2-13 X 4" HEX BOLT, GR5	2	-	-	-	-	-	-	-	-	-	-	-	-	-	-	-	-	1	1
4	BUTTON HEAD SCREW, 5/16-18 UNC X 3/4", GR5	8	-	-	-	8	-	-	-	-	-	-	-	-	-	-	-	-	4	4
5	1/2" ID FLAT WASHER	6	-	-	-	-	1	-	1	-	-	2	-	-	-	-	-	-	3	3
6	BUSHING, 3/4" OD X 9/16" ID X 1/2" LONG	2	-	-	-	-	-	-	-	-	-	-	-	-	-	-	-	2	1	1
7	1/2-13 X 4.5 HEX BOLT, GR5	2	-	-	-	-	-	-	-	-	-	2	-	-	-	-	-	-	1	1
8	HUSKY TUBE PLUG	4	-	-	-	-	-	-	-	-	-	-	2	-	-	-	-	-	2	2
9	1/2-13 X 4" HEX BOLT, GR8	2	-	-	-	-	-	-	-	-	-	-	-	-	-	-	-	2	1	1
10	1/2-13 HEX NUT	2	-	-	-	-	-	-	-	-	-	-	-	-	-	-	-	2	1	1
11	PASSENGER SIDE LOWER RAIL WELDMENT	1	-	-	-	-	-	-	-	-	-	-	-	-	-	-	-	-	1	-
12	HOUSING/RAIL SPACING ASSEMBLY	2	-	-	-	-	-	-	-	-	-	1	-	-	-	-	-	-	1	1
13	1/2" NYLON LOCK NUT	6	-	-	-	-	1	-	1	-	-	2	-	-	-	-	-	-	3	3
14	PIVOT PLATE	1	-	-	-	-	-	-	-	-	1	-	-	-	-	-	-	-	-	-
15	PASSENGER SIDE FLIPPER WELDMENT	1	-	-	-	-	-	-	1	-	-	-	-	-	-	-	-	-	-	1
16	1/4" LOCK WASHER	4	-	-	-	-	-	-	-	-	4	-	-	-	4	-	-	-	-	-
17	1/4 -20 X .75" HEX BOLT, GR5	4	-	-	-	-	-	-	-	-	4	-	-	-	4	-	-	-	-	-
18	1/4" FLAT WASHER	4	-	-	-	-	-	-	-	-	4	-	-	-	4	-	-	-	-	-
19	CLEVIS PIN, 3/8 X 1.25, STEEL	1	-	-	-	-	-	-	-	1	-	-	-	-	-	-	-	-	1	-
20	COTTER PIN, 7/64 X 1, STEEL	2	-	-	-	-	1	-	-	2	-	-	-	-	-	-	-	-	1	-
21	HUSKY 10-16K COMPRESSION SPRING ASSY	1	-	-	-	-	1	-	-	-	-	-	-	-	-	-	-	-	-	-
22	NUT AND PLATE WELDMENT	1	-	-	-	-	1	-	-	-	-	-	-	-	-	-	-	-	1	-
23	EXTERNAL SPRING, 1/2" OD X 4.50" LONG	2	-	-	-	-	1	-	1	-	-	-	-	2	-	-	-	-	1	1
24	CLEVIS PIN, 3/8 X .875, STEEL	1	-	-	-	-	1	-	-	1	-	-	-	-	-	-	-	-	-	-
25	HUSKY 10-16K PULL HANDLE ASSEMBLY	1	-	1	-	-	-	-	-	-	-	-	-	-	-	-	-	-	-	-
26	DRIVER SIDE HOUSING WELDMENT	1	-	-	-	-	-	-	-	-	-	-	-	-	-	-	-	-	1	-
27	DRIVER SIDE LOWER RAIL WELDMENT	1	-	-	-	-	-	-	-	-	-	-	-	-	-	-	-	-	1	-
28	DRIVER SIDE FLIPPER WELDMENT	1	-	-	-	-	1	-	-	-	-	-	-	-	-	-	-	-	1	-
29	EXTENSION SPRING 1/2" OD X 2.75" LONG	1	-	-	-	-	-	1	-	-	-	-	-	-	-	-	-	-	-	-
30	3/8-16 UNC X 1.00 HEX BOLT, GR5	1	-	1	1	-	-	-	-	-	-	-	-	-	-	-	-	-	-	-
31	3/8 LOCK WASHER	1	-	1	1	-	-	-	-	-	-	-	-	-	-	-	-	-	-	-
32	3/8 FLAT WASHER	1	-	1	1	-	-	-	-	-	-	-	-	-	-	-	-	-	-	-
33	SHIM KIT	1	14	-	-	-	-	-	-	-	-	-	-	-	-	-	-	-	-	-
34	5/8-11 UNC X 3.50 CARRIAGE HEAD BOLT, GR. 5	2	-	-	-	-	-	-	-	-	-	-	-	-	-	2	-	-	-	-
35	5/8" FLAT WASHER	2	-	-	-	-	-	-	-	-	-	-	-	-	-	2	-	-	-	-
36	5/8" LOCK WASHER	2	-	-	-	-	-	-	-	-	-	-	-	-	-	2	-	-	-	-
37	5/8-11 UNC HEX NUT	2	-	-	-	-	-	-	-	-	-	-	-	-	-	2	-	-	-	-
38	SPACER PLATE	4	-	-	-	-	-	-	-	-	-	-	-	-	-	4	-	-	-	-



- 32042 3 BOX SET FOR 26K HUSKY 10 GLIDER
- 32043 SHIM KIT
- 32044 26K HUSKY 10 PULL HANDLE KIT
- 32045 3/8" HARDWARE KIT FOR 26K HUSKY 10 PULL HANDLE KIT
- 32046 SERVICE, 26K HUSKY 10 GLIDING PAD KIT
- 32047 26K HUSKY 10 COMPRESSION CYLINDER W/SIDE PIVOT (FLIPPER) ASSEMBLY KIT
- 32048 HUSKY 10 HANDLE RETURN SPRING KIT
- 32049 26K HUSKY 10 PASSENGER SIDE PIVOT (FLIPPER) ASSEMBLY KIT
- 32050 HUSKY 10 CLEVIS/COTTER PIN KIT
- 32051 26K HUSKY 10 PIVOT PLATE ASSEMBLY KIT
- 32053 26K HUSKY 10 HOUSING HARDWARE (1/2") KIT
- 32054 HUSKY 10 END TUBE PLUG KIT
- 32056 HUSKY 10 PIVOT (FLIPPER) RETURN SPRING SERVICE KIT
- 32058 PIVOT PLATE HARDWARE SERVICE KIT
- 32059 CENTER BOLT KIT

NO.	DESCRIPTION	32042	32043	32044	32045	32046	32048	32049	32050	32051	32053	32054	32056	32058	32059
NO.	DESCRIPTION	QTY	QTY	QTY	QTY	QTY	QTY	QTY	QTY	QTY	QTY	QTY	QTY	QTY	QTY
1	PASSENGER SIDE HOUSING WELDMENT	1	-	-	-	-	-	-	-	-	-	-	-	-	-
2	UPPER SUPPORT TUBE	2	-	-	-	-	-	-	-	-	-	-	-	-	-
3	HEX HEAD BOLT 1/2 -13 X 4" LONG, GR5, YZ	10	-	-	-	-	-	-	-	-	5	-	-	-	-
4	1/2" FLAT WASHER	12	-	-	-	-	1	-	1	-	5	-	-	-	-
5	UPPER GLIDE PLATE	2	-	-	-	1	-	-	-	-	-	-	-	-	-
6	SOCKET BUTTON CAP SCREW, 5/16-18 UNC X 3/4", GR5, BO	26	-	-	-	13	-	-	-	-	-	-	-	-	-
7	5/16" FLAT WASHER	12	-	-	-	6	-	-	-	-	-	-	-	-	-
8	LOWER GLIDE PLATE	2	-	-	-	1	-	-	-	-	-	-	-	-	-
9	HEX HEAD BOLT 1/4 -20 X .75", GR5, YZ	4	-	-	-	-	-	-	-	4	-	-	-	4	-
10	1/4" LOCK WASHER	4	-	-	-	-	-	-	-	4	-	-	-	4	-
11	1/4" FLAT WASHER	4	-	-	-	-	-	-	-	4	-	-	-	4	-
12	HUSKY RUBBER TUBE PLUG	4	-	-	-	-	-	-	-	-	2	-	-	-	-
13	COMPRESSION CYLINDER ASSEMBLY	1	-	-	-	-	1	-	-	-	-	-	-	-	-
14	PASSENGER SIDE RAIL WELDMENT	1	-	-	-	-	-	-	-	-	-	-	-	-	-
15	1/2-13 LOCK NUT, GR5, YZ	12	-	-	-	-	1	-	1	-	5	-	-	-	-
16	CLEVIS ROD END	1	-	-	-	-	1	-	-	-	-	-	-	-	-
17	CLEVIS PIN, 3/8 X 1.25, STEEL, YZ	2	-	-	-	-	2	-	-	2	-	-	-	-	-
18	PIVOT PLATE	1	-	-	-	-	-	-	-	1	-	-	-	-	-
19	EXTENSION SPRING PIVOT PLATE	2	-	-	-	-	1	-	1	-	-	-	-	-	-
20	EXTENSION SPRING 3/4" OD X 3.50" LONG YZ	2	-	-	-	-	1	-	1	-	-	-	2	-	-
21	COTTER PIN, 7/64 X 1, STEEL, YZ	3	-	-	-	-	2	-	1	3	-	-	-	-	-
22	PIVOT STOP PLATE (FLIPPER)	2	-	-	-	-	1	-	1	-	-	-	-	-	-
23	DRIVER SIDE RAIL WELDMENT	1	-	-	-	-	-	-	-	-	-	-	-	-	-
24	SPACER PLATE	4	-	-	-	-	-	-	-	-	-	-	-	-	4
25	SHIM KIT	14	14	-	-	-	-	-	-	-	-	-	-	-	-
26	5/8-11 UNC X 3.50 CARRIAGE HEAD BOLT, GR. 5, BO	4	-	-	-	-	-	-	-	-	-	-	-	-	2
27	5/8" FLAT WASHER	4	-	-	-	-	-	-	-	-	-	-	-	-	2
28	5/8" LOCK WASHER	4	-	-	-	-	-	-	-	-	-	-	-	-	2
29	5/8-11 UNC HEX NUT	4	-	-	-	-	-	-	-	-	-	-	-	-	2
30	BOLT, HEAD, HEX, 3/8-16 X .75, GR5, YZ	3	-	3	3	-	-	-	-	-	-	-	-	-	-
31	3/8" LOCK WASHER	3	-	3	3	-	-	-	-	-	-	-	-	-	-
32	3/8" FLAT WASHER	3	-	3	3	-	-	-	-	-	-	-	-	-	-
33	EXTENSION SPRING 1/2" OD X 2.75" LONG YZ	1	-	-	-	-	-	1	-	-	-	-	-	-	-
34	26K HUSKY 10 PULL HANDLE ASSEMBLY	1	-	1	-	-	-	-	-	-	-	-	-	-	-
35	CLEVIS PIN, 3/8 X .875, STEEL, YZ	1	-	-	-	-	-	-	1	1	-	-	-	-	-
36	DRIVER SIDE HOUSING WELDMENT	1	-	-	-	-	-	-	-	-	-	-	-	-	-
37	1/2" ID SPACER	10	-	-	-	-	-	-	-	-	5	-	-	-	-

VEND NAME	KIT DETAILS	FULL KIT KAO PART#	KIT - ITEM DESCRIPTION	COMPONENT PART#	COMPONENT - ITEM DESCRIPTION
HUSKY TOWING	OEM KITS	33012K	RAM 16KS OEM 5TH WHEEL HITCH	33000	RAM OEM UPRIGHTS
				31453	16KS HEAD ASSEMBLY KIT
				32999	16KS OEM CROSSMEMBER KIT
HUSKY TOWING	OEM KITS	33011K	RAM 16KW OEM 5TH WHEEL HITCH	33000	RAM OEM UPRIGHTS
				31569	16KW HEAD AND YOKE ASSEMBLY
				32998	16KW/26KW OEM CROSSMEMBER
HUSKY TOWING	OEM KITS	33021K	RAM 26KW OEM 5TH WHEEL HITCH	33000	RAM OEM UPRIGHTS
				31570	26KW HEAD AND YOKE ASSEMBLY
				32998	16KW/26KW OEM CROSSMEMBER
HUSKY TOWING	OEM KITS	33018K	FORD 16KS OEM 5TH WHEEL HITCH	32997	FORD OEM UPRIGHTS
				31453	16KS HEAD ASSEMBLY KIT
				32999	16KS OEM CROSSMEMBER KIT
HUSKY TOWING	OEM KITS	33013K	FORD 16KW OEM 5TH WHEEL HITCH	32997	FORD OEM UPRIGHTS
				31569	16KW HEAD AND YOKE ASSEMBLY
				32998	16KW/26KW OEM CROSSMEMBER
HUSKY TOWING	OEM KITS	33017K	FORD 26KW OEM 5TH WHEEL HITCH	32997	FORD OEM UPRIGHTS
				31570	26KW HEAD AND YOKE ASSEMBLY
				32998	16KW/26KW OEM CROSSMEMBER
HUSKY TOWING	OEM KITS	33151K	GM 16KS OEM 5TH WHEEL HITCH	31453	16KS HEAD ASSEMBLY KIT
				32999	16KS OEM CROSSMEMBER KIT
				33118	GM OEM UPRIGHTS
HUSKY TOWING	OEM KITS	33152K	GM 16KW OEM 5TH WHEEL HITCH	31569	16KW HEAD AND YOKE ASSEMBLY
				32998	16KW/26KW OEM CROSSMEMBER
				33118	GM OEM UPRIGHTS
HUSKY TOWING	OEM KITS	33153K	GM 26KW OEM 5TH WHEEL HITCH	31570	26KW HEAD AND YOKE ASSEMBLY
				32998	16KW/26KW OEM CROSSMEMBER
				33118	GM OEM UPRIGHTS
HUSKY TOWING	5TH WHEEL KITS	31664KIT	16KS 5TH WHEEL W/UPRIGHT KIT	31313	16KS HITCH HEAD & CROSSMEMBER
				31314	16K UPRIGHTS
HUSKY TOWING	5TH WHEEL KITS	32354KIT	16KS 5TH WHEEL W/ROLLER KIT	31313	16KS HITCH HEAD & CROSSMEMBER
				32220	16K ROLLER
HUSKY TOWING	5TH WHEEL KITS	31665KIT	16KS 5TH WHEEL W/GLIDER KIT	31313	16KS HITCH HEAD & CROSSMEMBER
				31196	16K COMPOSITE GLIDER
HUSKY TOWING	5TH WHEEL KITS	33169K	16KS 5TH WHEEL W/26K HD ROLLER	31313	16KS HITCH HEAD & CROSSMEMBER
				33143	26K HD ROLLER
HUSKY TOWING	5TH WHEEL KITS	31326KIT	16KW HEAD & CROSSMEMBER KIT	31567	16KW CROSSMEMBER
				31569	16KW HEAD AND YOKE ASSEMBLY
HUSKY TOWING	5TH WHEEL KITS	31666KIT	16KW 5TH WHEEL W/UPRIGHT KIT	31567	16KW CROSS MEMBER
				31569	16KW HEAD AND YOKE ASSEMBLY
				31314	16K UPRIGHTS
HUSKY TOWING	5TH WHEEL KITS	31667KIT	16KW 5TH WHEEL W/GLIDER KIT	31567	16KW CROSSMEMBER
				31569	16KW HEAD AND YOKE ASSEMBLY
				31196	16K COMPOSITE GLIDER
HUSKY TOWING	5TH WHEEL KITS	32392KIT	16KW 5TH WHEEL W/16K ROLLER KIT	31567	16KW CROSSMEMBER
				31569	16KW HEAD AND YOKE ASSEMBLY
				32220	16K ROLLER
HUSKY TOWING	5TH WHEEL KITS	33170K	16KW 5TH WHEEL W/26K HD ROLLER	31569	16KW HEAD AND YOKE ASSEMBLY
				31567	16KW CROSSMEMBER
				33143	26K HD ROLLER
HUSKY TOWING	5TH WHEEL KITS	31318KIT	26KW HEAD & CROSSMEMBER KIT	31568	26KW CROSSMEMBER
				31570	26KW HEAD AND YOKE ASSEMBLY
HUSKY TOWING	5TH WHEEL KITS	31668KIT	26KW 5TH WHEEL W/UPRIGHT KIT	31568	26KW CROSSMEMBER
				31570	26KW HEAD AND YOKE ASSEMBLY
				31325	26K UPRIGHTS
HUSKY TOWING	5TH WHEEL KITS	31690KIT	26KW 5TH WHEEL W/GLIDER KIT	31568	26KW CROSSMEMBER
				31570	26KW HEAD AND YOKE ASSEMBLY
				32042	26K COMPOSITE GLIDER
HUSKY TOWING	5TH WHEEL KITS	33171K	26KW 5TH WHEEL W/26K HD ROLLER	31570	26KW HEAD AND YOKE ASSEMBLY
				31568	26KW CROSSMEMBER
				33143	26K HD ROLLER

## CUSTOM BRACKET KITS, REQUIRED FOR USE WITH 30686 BASE RAIL

YEARS	PICKUP MODEL	BED LENGTH	DRILLING REQUIRED	PIECE COUNT	BOLT COUNT	NTP #	MFG #
<b>CHEVROLET / GMC</b>							
1988 - 1998	C/K 1500, 88-99, C/K 2500/3500	6-1/2', 8'	YES	4 Pieces	4 Bolts	14-1034	31402
1999 - 2010	Silverado/Sierra, All (includes up to 07 classic) plus 07-09 2500HD & 3500	6-1/2', 8'	YES	4 Pieces	4 Bolts	14-1326	31415
2007 - 2013	Silverado/Sierra 1500	6-1/2', 8'	YES	2 Pieces	4 Bolts	14-1318	31396
2014 - 2015	Silverado/Sierra 1500 (long bed only), (Except Double & Crew Cabs)	8"	YES	2 Pieces	4 Bolts	14-1318	31396
2007 - 2019	Silverado/Sierra 1500	5-1/2', 6-1/2', 8'	YES	2 Pieces	4 Bolts	14-1456	32831
2019 - 2020	Silverado/Sierra 1500 New Body	5-1/2', 6-1/2', 8'	YES	2 Pieces	4 Bolts	15-1940	33201
2019 - 2020	Silverado/Sierra 1500 New Body	5-1/2', 6-1/2', 8'	YES	4 Pieces	4 Bolts	15-1941	33202
2001 - 2010	2500/3500 With or Without Integrated Brake Control Plus 99-07 Classic 1500	6-1/2', 8'	YES	2 Pieces	4 Bolts	14-1035	31397
2011 - 2019	Pickup 2500/3500	6-1/2', 8'	NO	2 Pieces	4 Bolts	14-1041	31852
2011 - 2019	Pickup 2500/3500	6-1/2', 8'	YES	4 Pieces	4 Bolts	14-1042	31853
<b>DODGE / RAM</b>							
1994 - 2002	Ram Pickup, All (except 2002 1500)	6-1/2', 8'	YES	4 Pieces	4 Bolts	14-1036	31404
2002 - 2008	Ram Pickup 1500, plus '06 1500 Mega Cab	6-1/2', 8'	YES	2 Pieces	4 Bolts	14-1033	31565
2002 - 2008	Ram Pickup 1500, (except '06 1500 non-Mega Cab)	6-1/2', 8'	NO	4 Pieces Bolt-on Bracket Kit	4 Bolts	14-1142	31413
2009 - 2018	Ram Pickup 1500, All Models (except '13-'17 factory air suspension)	5-1/2', 6-1/2', 8'	NO	4 Pieces Bolt-on Bracket Kit	4 Bolts	14-1040	31566
2019	Ram Pickup 1500	5-1/2', 6-1/2', 8'	NO	4 Pieces Bolt-on Bracket Kit	4 Bolts	15-1942	33204
2003 - 2009	Ram Pickup 2500, 3500 (except 3500HD 4WD)	6-1/2', 8'	YES	2 Pieces	4 Bolts	14-1033	31565
2003 - 2012	Ram Pickup 2500, 3500	6-1/2', 8'	NO	4 Pieces Bolt-on Bracket Kit	4 Bolts	14-1142	31413
2013 ONLY	Ram Pickup 2500 ONLY, All Models	6-1/2', 8'	YES	4 Pieces	4 Bolts	14-1043	32084
2014 - 2019	Ram Pickup 2500 ONLY, All Models	6-1/2', 8'	YES	4 Pieces	4 Bolts	14-1048	32556
2013 - 2019	Ram Pickup 3500 ONLY, All Models (except '14-'17 factory air suspension)	6-1/2', 8'	NO	4 Pieces Bolt-on Bracket Kit	4 Bolts	14-1044	32221
2013 - 2019	Ram Pickup 3500 ONLY, All Models	6-1/2', 8'	NO	4 Pieces Bolt-on Bracket Kit	4 Bolts	71-5234	33073
<b>FORD</b>							
1997 - 2004	F-150 Heritage (old body)	6-1/2', 8'	YES	4 Pieces	4 Bolts	14-1453	31409
2004 - 2014	F-150 (clamp-on)	6-1/2', 8'	NO	4 Pieces Bolt-on Bracket Kit	4 Bolts	14-1031	31564
2015 - 2020	F-150 (new aluminum body)	5-1/2', 6-1/2', 8'	YES	4 Pieces	4 Bolts	14-1299	32858
1999 - 2004	F-250/350 Super Duty	6-1/2', 8'	YES	N/A	4 Bolts	14-1037	31405
1999 - 2004	F-250/350 Super Duty	6-1/2', 8'	YES	4 Pieces	4 Bolts	14-1032	31406
1999 - 2007	F-250/350 Super Duty	6-1/2', 8'	NO	2 Pieces Bolt-on Bracket Kit	4 Bolts	14-1030	31407
2008 - 2016	F-250/350/450 Super Duty (except chassis cab)	6-1/2', 8'	YES	2 Pieces	4 Bolts	14-1029	31408
2017 - 2019	F-250/350/450 Super Duty (except chassis cab) (new aluminum body)	6-1/2', 8'	YES	2 Pieces	4 Bolts	71-5255	33094
2005 - 2016	F-250/350/450 Super Duty (except chassis cab) (new aluminum body)	6-1/2', 8'	YES	4 Pieces	4 Bolts	72-7609	33139
2005 - 2015	F-250 (except '11-'15 diesel pick-ups)	6-1/2', 8'	YES	4 Pieces	4 Bolts	14-1141	31412
2005 - 2016	F-350 plus '08-'09 F-450 Super Duty (except '11-'16 diesel pick-ups)	6-1/2', 8'	YES	4 Pieces	4 Bolts	14-1141	31412
<b>NISSAN</b>							
2004 - 2015	Titan King Cab plus '08-'09 Titan Crew Cab Pickup	5-1/2', 6-1/2', 8'	YES	4 Pieces	4 Bolts	14-1454	31563
<b>TOYOTA</b>							
2007 - 2019	Tundra Pickup	5-1/2', 6-1/2', 8'	YES	N/A	4 Bolts	14-1038	31622



## UNIVERSAL BRACKET KITS

UNIVERSAL BRACKET KITS						NTP #	MFG #
INTENDED FOR USE WITH VEHICLES PRIOR TO 2018 WITH NO CUSTOM BRACKET KIT							
Universal Style, for full size pickups	6-1/2', 8'	Drilling Required	4 Pieces	4 Bolts	14-1186	31563	
Universal Style, for full size pickups	6-1/2', 8'	Drilling Required	4 Pieces	10 Bolts	14-1329	31622	

### SEE BELOW FOR ADDITIONAL SUPPLEMENTARY COMPONENTS

YEARS	PICKUP MODEL	BED LENGTH	DRILLING REQUIRED	DESCRIPTION	BOLT COUNT	NTP #	MFG #
<b>4 BOLT BASE RAIL ADAPTER BRACKET KITS. THESE KITS REQUIRE THE PURCHASE OF UNIVERSAL KIT 31563.</b>							
2002 - 2008	Ram Pickup Full Size 1500 (except Mega Cab)	6-1/2', 8'	YES	2 Piece Adaptor Bracket Kit	4 Bolts	14-1169	30640
2009 - 2018	Ram 1500	6-1/2', 8'	YES	2 Piece Adaptor Bracket Kit	4 Bolts	14-1185	30665
2002 - 2013	Ram Full Size 2500 (except Mega Cab)	6-1/2', 8'	YES	2 Piece Adaptor Bracket Kit	4 Bolts	14-1159	30607
2002 - 2012	Ram Full Size 3500 (except Mega Cab)	6-1/2', 8'	YES	2 Piece Adaptor Bracket Kit	4 Bolts	14-1159	30607
1996 - Older	Ford F-150	6-1/2', 8'	YES	2 Piece Adaptor Bracket Kit	4 Bolts	14-1159	30607
2004 - 2013	Ford F-150	6-1/2', 8'	YES	4 Piece Custom Bracket Kit	4 Bolts	14-1168	30619
1997 - Older	Ford F-250/350	6-1/2', 8'	YES	2 Piece Adaptor Bracket Kit	4 Bolts	14-1159	30607
1999 - 2016	Ford F-250/350/450 Super Duty (except chassis cab)	6-1/2', 8'	YES	2 Piece Adaptor Bracket Kit	4 Bolts	14-1159	30607
<b>10 BOLT BASE RAIL ADAPTER BRACKET KITS. THESE KITS REQUIRE THE PURCHASE OF UNIVERSAL KIT 31622.</b>							
2002 - 2008	Dodge 1500	6-1/2', 8'	YES	1 Piece Adaptor Bracket Kit	10 Bolts	14-1279	30562
2003 - 2012	Dodge 2500/3500	6-1/2', 8'	YES	2 Piece Adaptor Bracket Kit	10 Bolts	14-1156	30582
2004 - 2013	F-150	6-1/2', 8'	YES	4 Piece Custom Bracket Kit	10 Bolts	14-1168	30619
2007 - 2019	Toyota Tundra	5-1/2', 6-1/2', 8'	YES	Spacer Tubes for 10 bolt kit	10 Bolts	14-1158	30600
2000 - 2006	Toyota Tundra	6-1/2', 8'	YES	Spacer Tubes for 10 bolt kit	10 Bolts	14-1157	30597
<b>ADAPTER BRACKET KIT. FITS BOTH 4 &amp; 10 BOLT BASE RAILS. REQUIRES THE PURCHASE OF UNIVERSAL KIT 31563 OR 31622.</b>							
2004 - 2014	F-150	6-1/2', 8'	YES	4 Piece Custom Bracket Kit	4 & 10 Bolts	14-1168	30619

PART #	MFG #	ADDITIONAL BRACKETS & HARDWARE	QTY / HITCH
14-1039	31414	Custom Bracket Kit for use with 31404 : Fits Dodge '02-'05 Ram PU 1500, '03-'05 2500, 6-1/2' & 8' Bed	1
14-1188	31385	Straight "L" Bracket Service Kit	1
14-1189	31401	Left & Right Angle Bracket Replacement Kit	1
45-0093	31418	Hardware Service Kit for 31563	1
71-3623	31419	Base Rail 1/4" Spacer Kit	1
14-1191	31712	Base Rail Tall Spacer Block kit, Bag/4	1
14-1257	32767	Clip-On Nut Service Kit	1
14-1190	31417	Wheel Bolt Kit Pkg/8	1
45-0080	32059	Center Bolt Kit to use both Black & Silver Series 5th Wheel Hitches & Rollers	1
14-1155	30575	Replacement Spacer Tube Kit for the 31622 Kit (Used on '02-'08 1500 Dodge PU, 2003-2010 2500/3500 Dodge PU, 6-1/2' & 8' Bed)	1
72-2948	33156	Center Bolt Kit w/longer hardware - Replacing 32059	1
72-2888	33150	Center Bolt Kit to use with Aluminum Beds	1

## HUSKY CUSTOM WIRING HARNESSES FOR BRAKE CONTROLS

All harnesses are plug to plug connections

BRAKE CONTROLLERS HARNESSSES

TOWING

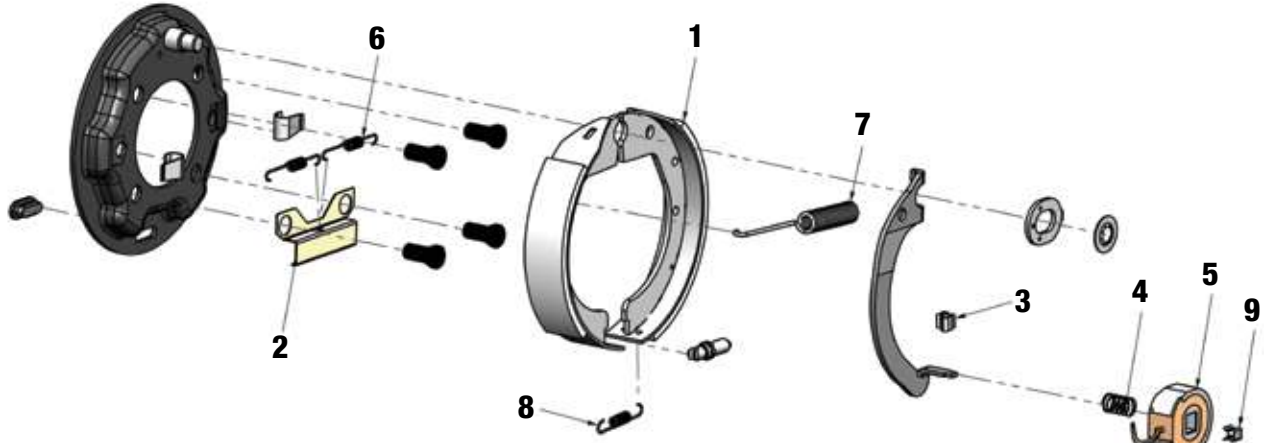
MAKE	MODEL	YEAR	NTP/STAG NO.	MFR. NO.
<b>BUICK</b>	Enclave	08-19	17-0657	31871
<b>CADILLAC</b>	Escalade	00-02	17-0667	31865
	Escalade	03-06	17-0668	31866
	Escalade/EXT/ESV	14-19	17-0674	32253
<b>CHEVROLET</b>	Avalanche	02	17-0667	31865
	Avalanche	03-06	17-0668	31866
	Silverado	99-02	17-0667	31865
	Silverado	03-06	17-0668	31866
	Silverado (Classic)	07	17-0668	31866
	Silverado 1500/2500/3500	15-19	17-0674	32253
	Suburban	00-02	17-0667	31865
	Suburban	03-06	17-0668	31866
	Suburban 1500	15-19	17-0674	32253
	Suburban 3500 HD	15-19	17-0674	32253
	Tahoe	00-02	17-0667	31865
	Tahoe	03-06	17-0668	31866
	Tahoe	15-19	17-0674	32253
Traverse	13-19	17-0657	31871	
<b>CHRYSLER</b>	Aspen	07-09	17-0666	31864
<b>DODGE</b>	Dakota	97-11	17-0666	31864
	Durango w/ tow pkg.	98-09	17-0666	31864
	Durango w/ tow pkg.	11-19	17-0695	30012
	Ram 1500	09	17-0694	31869
	Ram Pickup (all sizes) w/tow pkg	13-14	17-0672	32079
	Ram Pickup (all sizes) w/tow pkg	95-09	17-0666	31864
Ram Pickup (all sizes) w/tow pkg	10-12	17-0694	31869	
<b>FORD</b>	Bronco	96-06	17-0662	31862
	E-150 / 250 / 350	09-15	17-0665	31863
	E-350 / 450 RV	09-11	17-0665	31863
	Econoline Van	92-08	17-0662	31860
	Excursion	00-05	17-0662	31860
	Expedition	97-12	17-0662	31860
	Expedition	13-14	17-0665	31863
	Expedition	15-19	17-0664	31862
	Explorer	01-18	17-0662	31860
	F-150	94-08	17-0662	31860
	F-150	09-19	17-0664	31862
	F-250 / 350	94-04	17-0662	31860
	F-250 / F-350	05-16	17-0665	31863
	F-250 / F-350 / 450 / 550	17-19	17-0664	31862
	F-450 / 550	08-16	17-0665	31863
	F-450/ F-550	05-07	17-0663	31861
	F-53 Motor Home Chassis	00-14	17-0662	31860
	Flex	06-11	17-0662	31860
	Flex	12-19	17-0664	31862
	Van Full size	94-01	17-0662	31860
	Van Full size	04-08	17-0662	31860
	Windstar	95-03	17-0662	31860

MAKE	MODEL	YEAR	NTP/STAG NO.	MFR. NO.
<b>GMC</b>	Acadia	13-19	17-0657	31871
	Acadia Limited	17	17-0657	31871
	Denali	99-02	17-0667	31865
	Denali	03-06	17-0668	31866
	Denali	14-19	17-0674	31868
	Sierra	99-02	17-0667	31865
	Sierra	03-07	17-0668	31866
	Sierra 1500/2500/3500	14-19	17-0674	32253
	Sierra (Classic)	07	17-0668	31866
	Yukon	00-02	17-0667	31865
	Yukon	03-06	17-0668	31866
Yukon/Yukon XL	15-19	17-0674	32253	
<b>HONDA</b>	Pilot	06-19	17-0670	31868
	Ridgeline	17-19	17-0670	31868
<b>HUMMER</b>	H2	03-07	17-0668	31866
	H2 SUT	05-07	17-0668	31866
<b>INFINITY</b>	QX 56	04-15	17-0659	31858
	QX60/QX80	14-19	17-0659	31858
<b>JEEP</b>	Grand Cherokee w/tow pkg.	11-19	17-0695	30012
<b>LAND ROVER</b>	LR3	05-09	17-0662	31860
	LR4	10-16	17-0662	31860
	Range Rover	10-17	17-0662	31860
<b>LEXUS</b>	GX 460	10-18	17-0669	31867
	GX 470	03-11	17-0669	31867
	LX 570	08-11	17-0669	31867
	LX 570	13-18	17-0669	31867
<b>LINCOLN</b>	Aviator	03-05	17-0662	31860
	Mark LT	07-08	17-0662	31860
	MKT	10-11	17-0662	31860
	MKT	12-19	17-0664	31862
	Navigator	98-12	17-0662	31860
	Navigator	13-14	17-0665	31863
Navigator	15-19	17-0664	31862	
<b>MERCURY</b>	Mountaineer	00-11	17-0662	31860
<b>NISSAN</b>	Armada	04-15	17-0659	31858
	Armada	17	17-0659	31858
	Frontier	04-16	17-0659	31858
	NV Van	12-16	17-0659	31858
	Pathfinder	05-17	17-0659	31858
	Titan	04-18	17-0659	31858
	Titan XD	16-18	17-0659	31858
Xterra	04-15	17-0659	31858	
<b>SATURN</b>	Outlook	07-09	17-0657	31871
<b>TOYOTA</b>	4-Runner	03-19	17-0669	31867
	Land Cruiser	03-15	17-0669	31867
	Sequoia	03-19	17-0669	31867
	Tacoma	05-15	17-0669	31867
	Tundra	03-14	17-0669	31867

**QUALITY REPLACEMENT PARTS**

**AXLE TEK, DEXTER - 7" X 1.25" Electric Brakes**

CSA Certified by Axle Teknology (CSA master contract #239634)

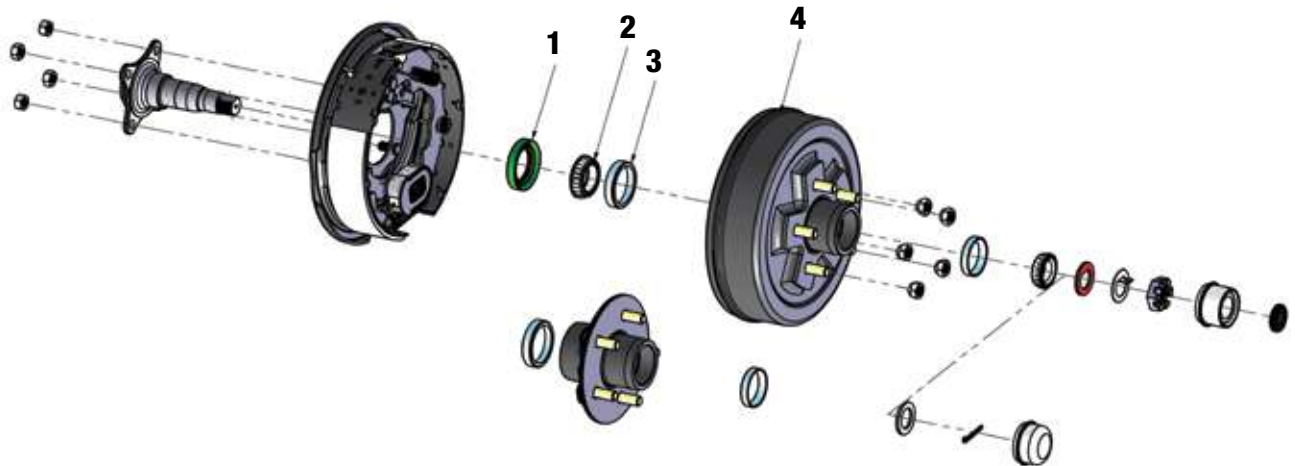


Manufactured for Husky by Axle Teknology

Ref.	NTP/STAG #	Husky Part #	REPLACES		Description
			Mfr./Axel Tek#	Dexter #	
	21-0094	30789	#KB7E-01	K23-047-00	Complete Brake Assembly LH
	21-0095	30788	#KB7E-02	K23-048-00	Complete Brake Assembly RH
1, 2	21-0078	30816	#KB7E-05	K71-045-00	Shoe/Lining Kit
3, 4, 5	21-0096	30817	#KB7E-06	K71-057-00	Magnet Kit
4, 6, 7, 8	21-0114	30824	#KBE-363-00	K71-363-00	Spring Kit
9	21-0112	30830	#KBE-321-00	5121	Retainer Clip Pkg/10

**QUALITY REPLACEMENT PARTS**

**AXLE TEK, DEXTER - 7" X 1.25" & 7" X 1.75" Hubs-Drums & Idler Hubs, Electric/Hydraulic**

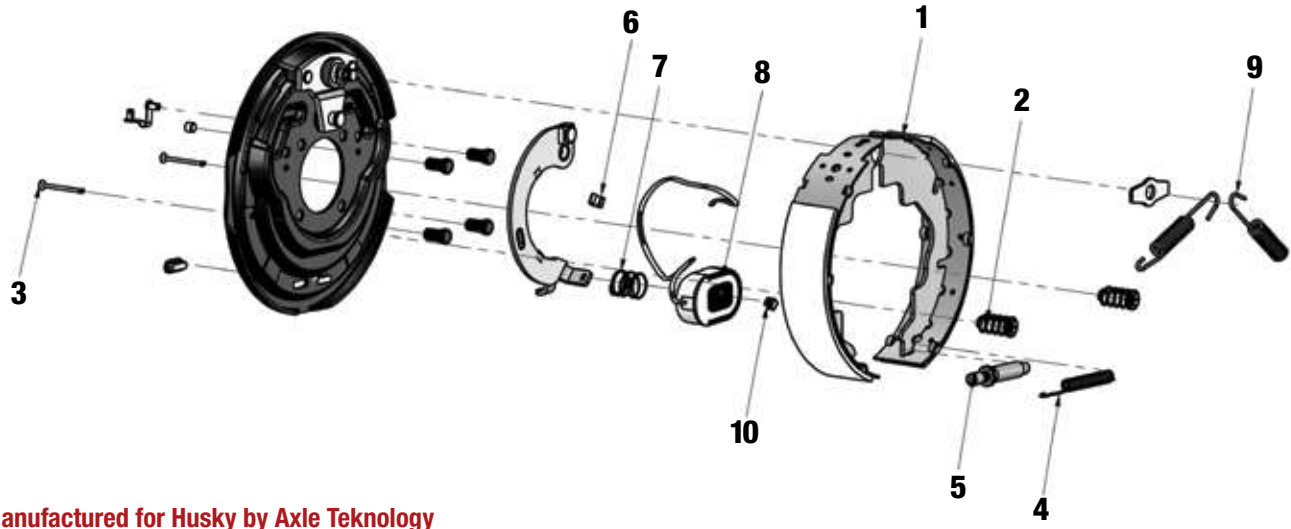


Manufactured for Husky by Axle Teknology

Ref.	NTP/STAG #	Husky Part #	REPLACES		Description
			Mfr./Axel Tek#	Dexter #	
1	21-0052	95912	#DL150-20		Grease Seals, 1.5" ID, Sleeve of 20
2, 3	21-0081	30812	#L44649/10	K71-306-00	Bearing Cone & Cup L44610 / L44649
4	21-0124	30792	#KBD-54522-17	008-257-05	Hub-Drum 5.45" BC Elec. 1.25"

**QUALITY REPLACEMENT PARTS**      **AXLE TEK, DEXTER - 7" X 1.25" ELECTRIC BRAKE**

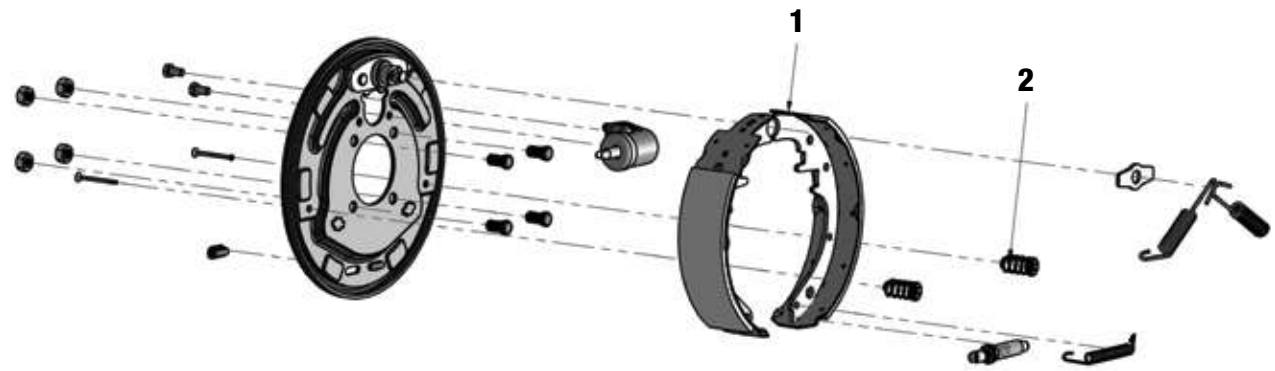
CSA Certified by Axle Teknology (CSA master contract #239634)



Manufactured for Husky by Axle Teknology

Ref.	NTP/STAG #	Husky Part #	REPLACES		Description
			Mfr./Axel Tek#	Dexter #	
	21-0058	30793	#KB10E-01	K23-026-00	Complete Brake Assembly LH
	21-0059	30794	#KB10E-02	K23-027-00	Complete Brake Assembly RH
1, 2, 3	21-0092	30821	#KB10E-05	K71-047-00	Shoe/Lining Kit
4, 5	21-0080	30826	#KBE-324-00	K71-324-00	Adjusting Screw Kit
6, 7, 8	21-0060	30818	#KB10E-06	K71-104-00	Magnet Kit
2, 4, 7, 9	21-0114	30824	#KBE-363-00	K71-363-00	Spring Kit
2, 3	21-0113	30825	#KBE-353-00	5353	Hold-Down Kit (Axle Set)
10	21-0112	30830	#KBE-321-00	5121	Retainer Clip Pkg/10

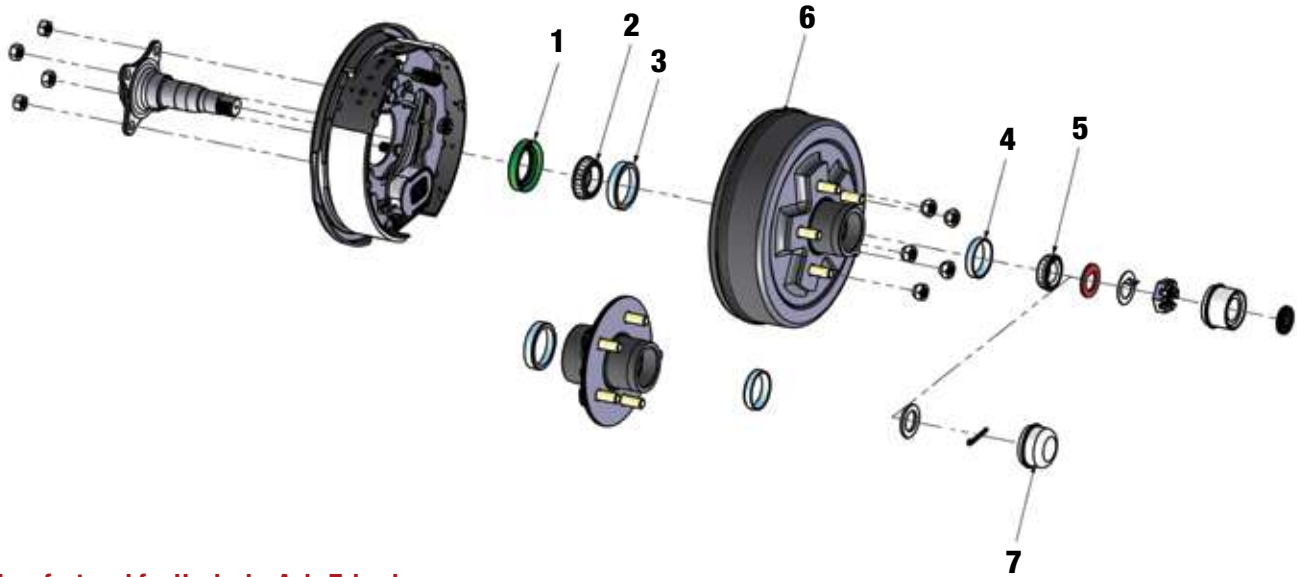
**QUALITY REPLACEMENT PARTS**      **AXLE TEK, DEXTER - 10" X 2.25" Hydraulic Brakes**



Manufactured for Husky by Axle Teknology

Ref.	NTP/STAG #	Husky Part #	REPLACES		Description
			Mfr./Axel Tek#	Dexter #	
	21-0108	30785	#KB10H-01	K23-312-00	Complete Brake Assembly LH Uni-Servo
	21-0109	30784	#KB10H-02	K23-313-00	Complete Brake Assembly RH Uni-Servo
1, 2	21-0063	30822	#KB10H-05-2	K71-267-00	Shoe/Lining Kit (Axle Set)

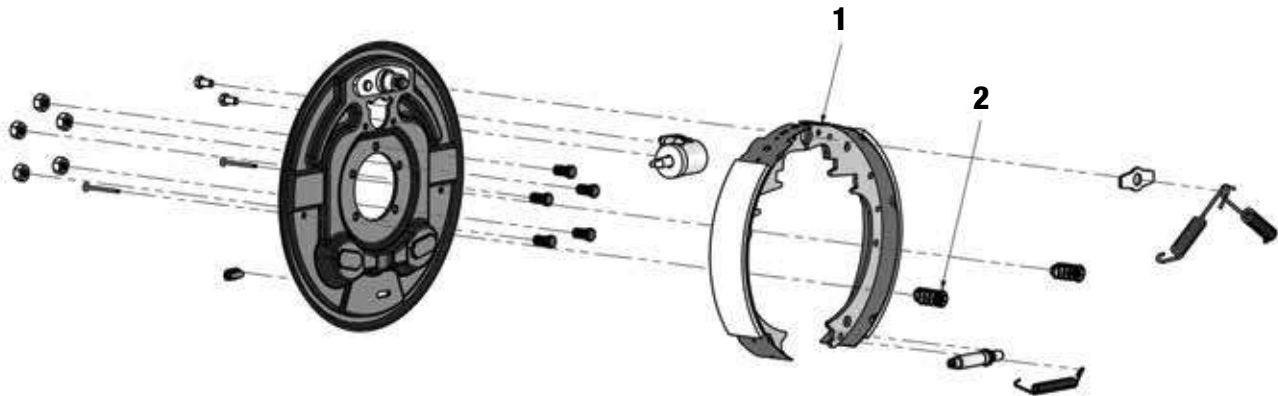
## QUALITY REPLACEMENT PARTS

**AXLE TEK, DEXTER - 10" X 2.25" Hubs-Drums & Idler Hubs, Electric/Hydraulic**


Manufactured for Husky by Axle Teknology

Ref.	NTP/STAG #	Husky Part #	REPLACES		Description
			Mfr./Axel Tek#	Dexter #	
1	21-0053	30828	#DL-172-03	K71-303-00	Grease Seal Std. Pkg/2
1	21-0054	95913	#DL172-10		Grease Seals., 1.875" ID, Sleeve of 10
2, 3	21-0082	30815	#LM68149/11	K71-390-00	Inner Bearing Cone & Cup L6811 / L68149
4, 5	21-0081	30812	#L44649/10	K71-306-00	Outer Bearing Cone & Cup L44610 / L44649
6	21-0085	30796	#KBD-545-17	008-247-05	Hub-Drum 5-4.5" BC Electric/Hydraulic
7	21-0050	31815	#DC-RP-2	K71-320-00	Rubber Lube Plug for 1.18" Cap Hole, Pkg/2

## QUALITY REPLACEMENT PARTS

**AXLE TEK, DEXTER - 12" X 2" Hydraulic Brakes 7000 lb.**


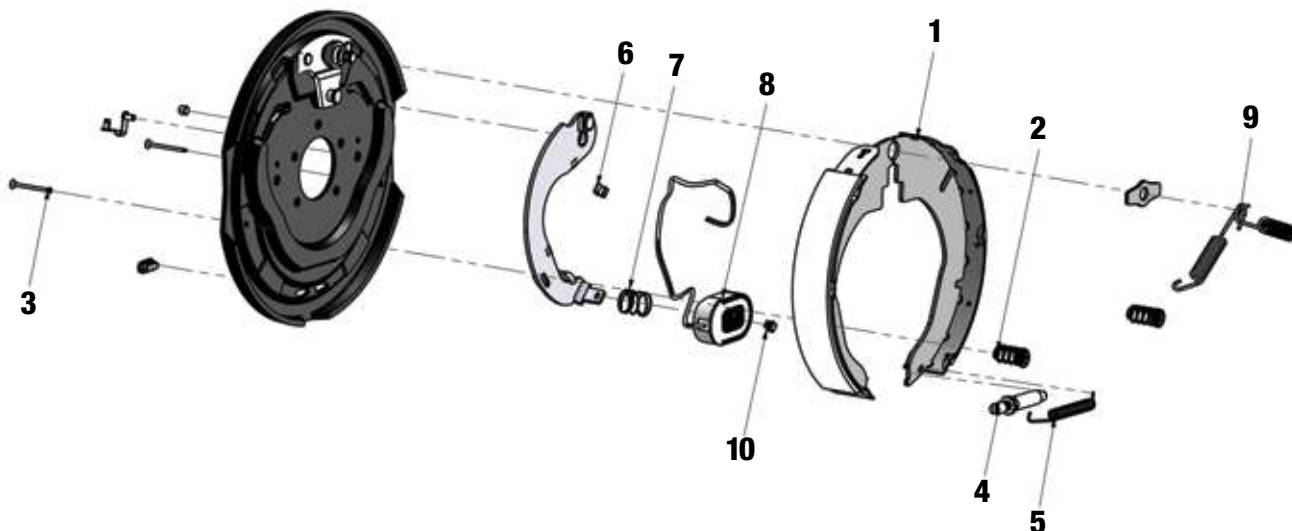
Manufactured for Husky by Axle Teknology

Ref.	NTP/STAG #	Husky Part #	REPLACES		Description
			Mfr./Axel Tek#	Dexter #	
	21-0072	30786	#KB12H-01	K23-338-00	Complete Brake Assembly LH Uni-Servo
	21-0073	30787	#KB12H-02	K23-339-00	Complete Brake Assembly RH Uni-Servo
1, 2	21-0111	30823	#KB12H-05-2	K71-269-00 & K71-270-00	Shoe/Lining Kit (Axle Set)

**QUALITY REPLACEMENT PARTS**

**AXLE TEK, DEXTER - 12" X 2" Electric Brakes 5200 lb., 6000 lb., 7000 lb.**

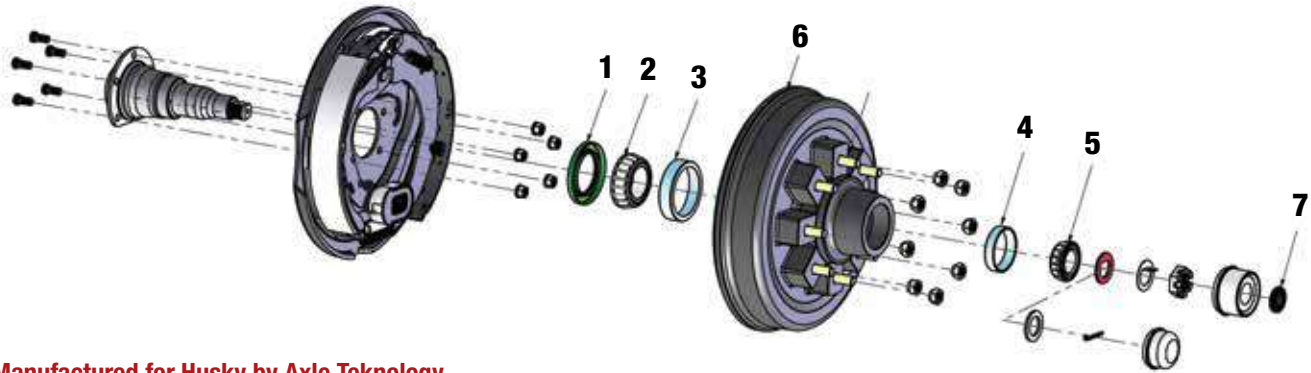
CSA Certified by Axle Teknology (CSA master contract #239634)



Manufactured for Husky by Axle Teknology

Ref.	NTP/STAG #	Husky Part #	REPLACES		Description
			Mfr./Axel Tek#	Dexter #	
<b>5200 lb. &amp; 6000 lb.</b>					
	21-0066	30799	#KB12E-03	K23-105-00	Complete Brake Assembly LH
	21-0093	30800	#KB12E-04	K23-106-00	Complete Brake Assembly RH
1, 2, 3	21-0110	30820	#KB12E-05	K71-048-00	Shoe/Lining Kit
4, 5	21-0080	30826	#KBE-324-00	K71-324-00	Adjusting Screw Kit
6, 7, 8	21-0067	30819	#KB12E-06	K71-105-00	Magnet Kit
2, 5, 7, 9	21-0114	30824	#KBE-363-00	K71-363-00	Spring Kit
2, 3	21-0113	30825	#KBE-353-00	5353	Hold-Down Kit (Axle Set)
10	21-0112	30830	#KBE-321-00	5121	Retainer Clip Pkg/10
<b>7000 lb.</b>					
	21-0064	30797	#KB12E-01	K23-180-00	Complete Brake Assembly LH
	21-0065	30798	#KB12E-02	K23-181-00	Complete Brake Assembly RH
1, 2, 3	21-0110	30820	#KB12E-05	K71-127-00	Shoe/Lining Kit
4, 5	21-0080	30826	#KBE-324-00	K71-324-00	Adjusting Screw Kit
6, 7, 8	21-0067	30819	#KB12E-06	K71-125-00	Magnet Kit
2, 5, 7, 9	21-0114	30824	#KBE-363-00	K71-363-00	Spring Kit
2, 3	21-0113	30825	#KBE-353-00	5353	Hold-Down Kit (Axle Set)
10	21-0112	30830	#KBE-321-00	5121	Retainer Clip Pkg/10

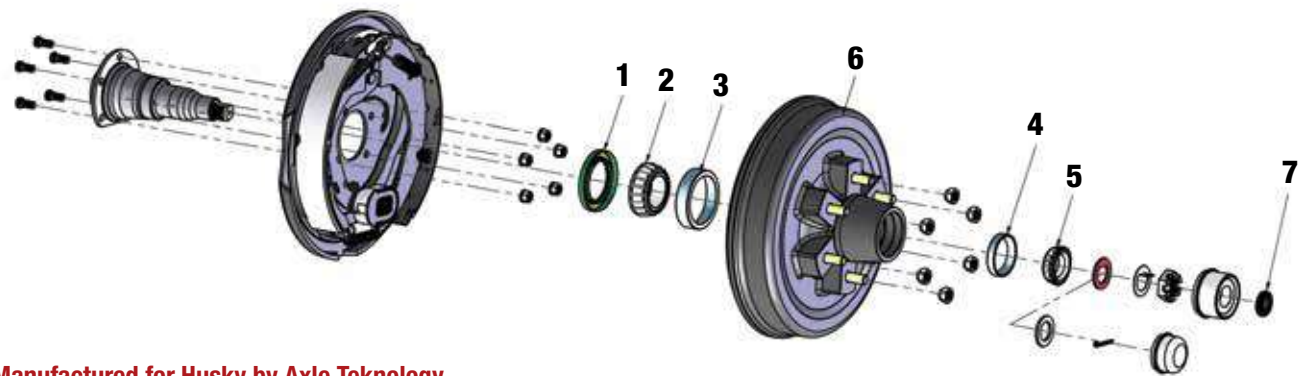
## QUALITY REPLACEMENT PARTS

**AXLE TEK, DEXTER - 12" X 2" Hubs-Drums & Idler Hubs,  
8 on 6.50 BC 6000 lb. & 7000 lb.**


Manufactured for Husky by Axle Teknology

Ref.	NTP/STAG #	Husky Part #	REPLACES		Description
			Mfr./Axel Tek#	Dexter #	
1	21-0056	30829	#DL-225-03	K71-305-00	Grease Seal Std. Pkg/2
2, 3	21-0106	30813	#25580/20	K71-308-00	Inner Bearing Cone & Cup 25520 / 25580
4, 5	21-0048	30811	#15123/245	K71-309-00	Outer Bearing Cone & Cup 15245 / 15123 6000 lb. (5-Spoke Demountable)
4, 5	21-0047	30808	#14125A/14276	K71-310-00	Outer Bearing Cone & Cup 14276 / 14125A 7000 lb. 8-Bolt
6	21-0087	30802	#KBD-865-17	008-219-04	Hub-Drum 8-6.50" BC 1/2" Studs 7000 lb.
7	21-0050	31815	#DC-RP-2	K71-320-00	Rubber Lube Plug FOR 1.18" Cap Hole, Pkg/2K

## QUALITY REPLACEMENT PARTS

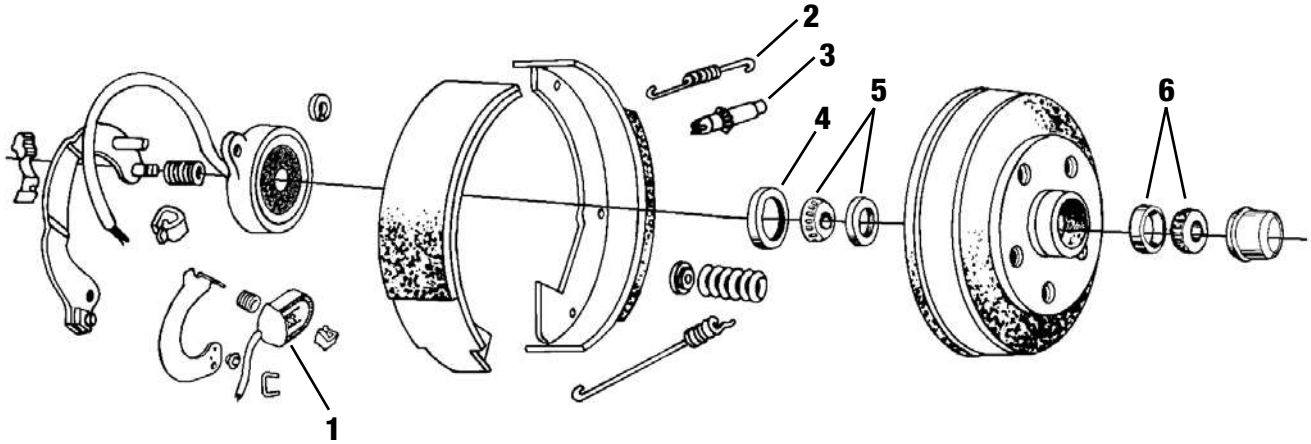
**AXLE TEK, DEXTER - 12" X 2" Hubs-Drums & Idler Hubs,  
8 on 6.50 BC 5200 lb. & 6000 lb.**


Manufactured for Husky by Axle Teknology

Ref.	NTP/STAG #	Husky Part #	REPLACES		Description
			Mfr./Axel Tek#	Dexter #	
1	21-0056	30829	#DL-225-03	K71-305-00	Grease Seal Std., 2.25" I.D. (1998-current) Pkg/2
1	21-0057	95914	#DL225-10		Grease Seals DL225, 2.25" I.D. (1998-current) Sleeve of 10
1	21-0107	31816	#DL-2125-2		Grease Seal DL2125, 2.125" I.D. (pre-1998) Pkg/2
1	21-0055	95922	#DL-2125		Grease Seals DL2125, 2.125" I.D. (pre-1998) Sleeve of 10
2, 3	21-0106	30813	#25580/20	K71-308-00	Inner Bearing Cone & Cup 25520 / 25580
4, 5	21-0097	30814	#LM67048/10	K71-307-00	Outer Bearing Cone & Cup LM67048 / LM67010 5200#
4, 5	21-0048	30811	#15123/245	K71-309-00	Outer Bearing Cone & Cup 15123 / 15245 6000 lb.
6	21-0086	30804	#KBD-655-17	008-201-09	Hub-Drum 6-5.50" BC 1/2" Studs 6000 lb. (requires #30811 bearing if used on 5200 lb. axle)
7	21-0050	31815	#DC-RP-2	K71-320-00	Rubber Lube Plug for 1.18" Cap Hole, Pkg/2

QUALITY REPLACEMENT PARTS

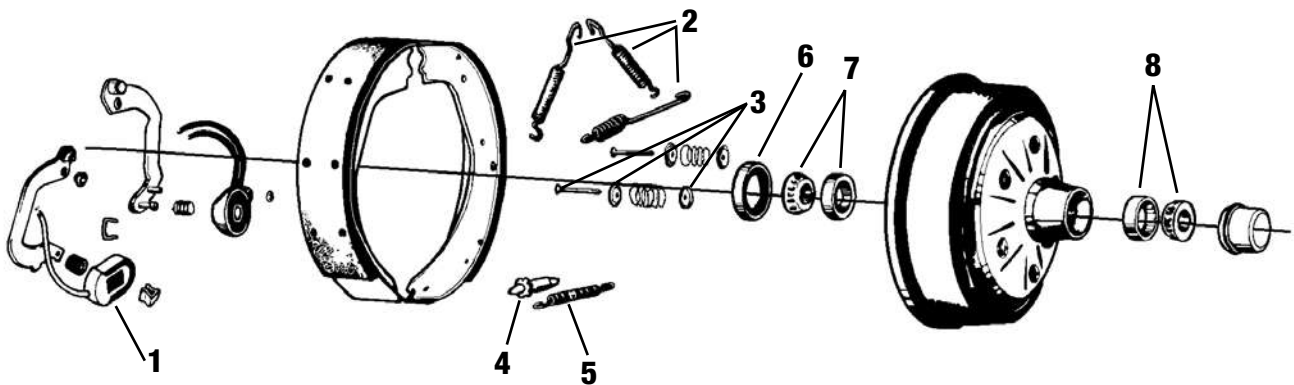
HAYES - 10" X 1.625"



Ref.	NTP/STAG #	Husky Part #	Mfr.#	Description
1	21-0060	30818	#KB10E-06	Magnet Kit (After mid 1987)
2, 3	21-0080	30826	#KBE-324-00	Adjusting Screw Kit
4	21-0053	30828	#DL-172-03	Grease Seal (Axle Set)
4	21-0054	95913	#DL172-10	Grease Seals DL172, Sleeve of 10
5	21-0097	30814	#LM67048/10	Inner Bearing Set
6	21-0081	30812	#L44649/10	Outer Bearing Set

QUALITY REPLACEMENT PARTS

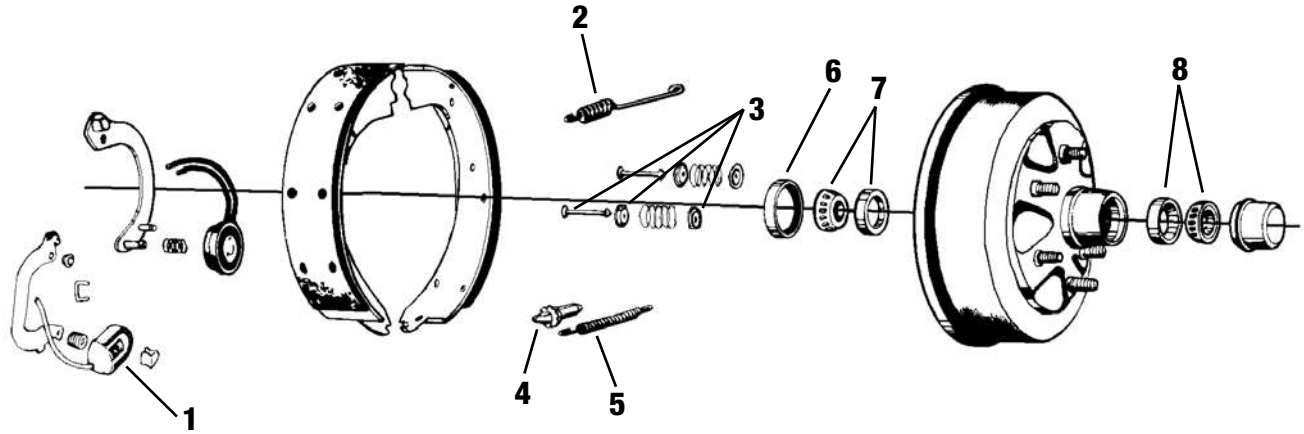
HAYES - 10" X 2.25"



Ref.	NTP/STAG #	Husky Part #	Mfr.#	Description
1	21-0060	30818	#KB10E-06	Magnet Kit (After mid 1987)
2	21-0114	30824	#KBE-363-00	Spring Kit
3	21-0113	30825	#KBE-353-00	Hold-Down Kit (Axle Set)
4, 5	21-0080	30826	#KBE-324-00	Adjusting Screw Kit
6	21-0053	30828	#DL-172-03	Grease Seal (Axle Set)
6	21-0054	95913	#DL172-10	Grease Seals DL172, Sleeve of 10
7	21-0082	30815	#LM68149/11	Inner Bearing Set
8	21-0081	30812	#L44649/10	Outer Bearing Set

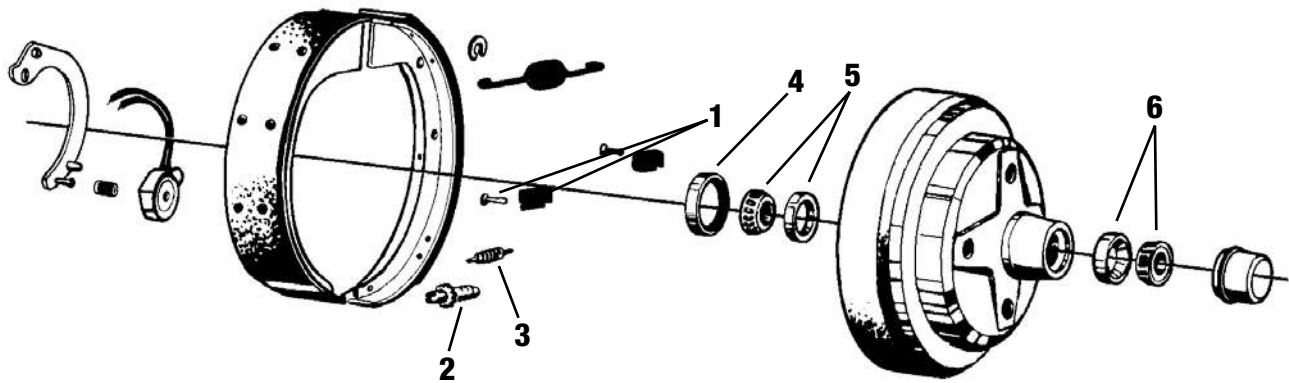


**QUALITY REPLACEMENT PARTS HAYES - 12" X 2"**



Ref.	NTP/STAG #	Husky Part #	Mfr.#	Description
1	21-0067	30819	#KB12E-06	Magnet Kit (After mid 1987)
2	21-0114	30824	#KBE-363-00	Spring Kit
3	21-0113	30825	#KBE-353-00	Hold-Down Kit (Axle Set)
4, 5	21-0080	30826	#KBE-324-00	Adjusting Screw Kit
6	21-0056	30829	#DL-225-03	Grease Seal (Axle Set)
6	21-0057	95914	#DL225-10	Grease Seals DL172, Sleeve of 10
8	21-0106	30813	#25580/20	Inner Bearing Set
9	21-0097	30814	#LM67048/10	Outer Bearing Set

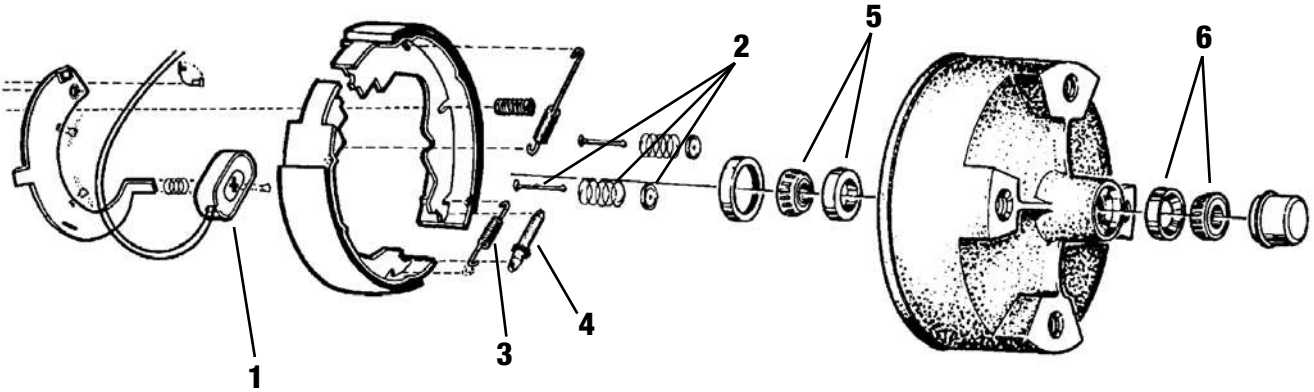
**QUALITY REPLACEMENT PARTS HAYES - 10" X 2" Centerline**



Ref.	NTP/STAG #	Husky Part #	Mfr.#	Description
1	21-0113	30825	#KBE-353-00	Hold-Down Kit (Axle Set)
2, 3	21-0080	30826	#KBE-324-00	Adjusting Screw Kit
4	21-0056	30829	#DL-225-03	Grease Seal (Axle Set) 2.25" I.D.
4	21-0057	95914	#DL225-10	Grease Seals DL225, 2.25" I.D., Sleeve of 10
4	21-0107	31816	#DL-2125-2	Grease Seal (Axle Set) 2.125" I.D.
4	21-0055	95922	#DL-2125	Grease Seals DL2125, 2.125" I.D., Sleeve of 10
5	21-0106	30813	#25580/20	Inner Bearing Set
6	21-0097	30814	#LM67048/10	Outer Bearing Set

**QUALITY REPLACEMENT PARTS**

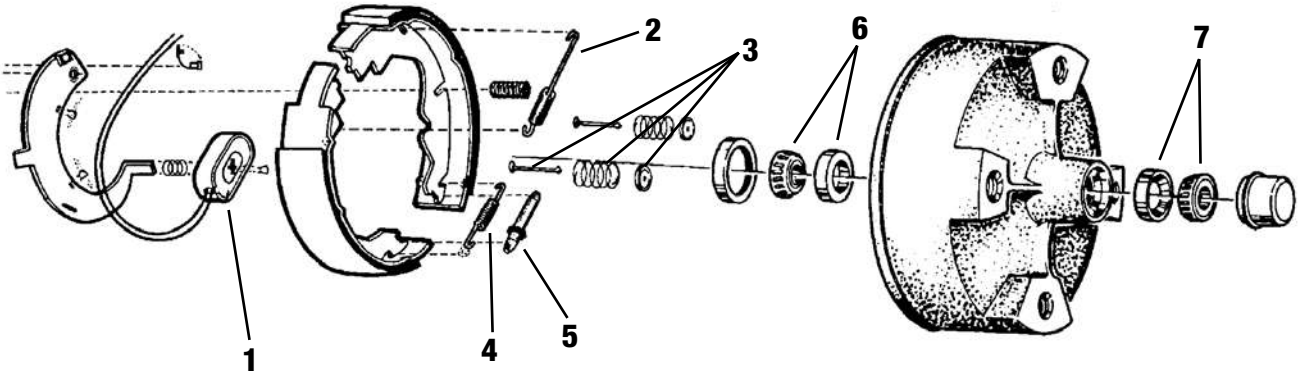
**AL-KO - 10" X 2.25"**



Ref.	NTP/STAG #	Husky Part #	Mfr.#	Description
1	21-0060	30818	#KB10E-06	Magnet Kit
2	21-0113	30825	#KBE-353-00	Hold-Down Kit (Axle Set)
3, 4	21-0080	30826	#KBE-324-00	Adjusting Screw Kit
5	21-0082	30815	#LM68149/11	Inner Bearing Set
6	21-0081	30812	#L44649/10	Outer Bearing Set

**QUALITY REPLACEMENT PARTS**

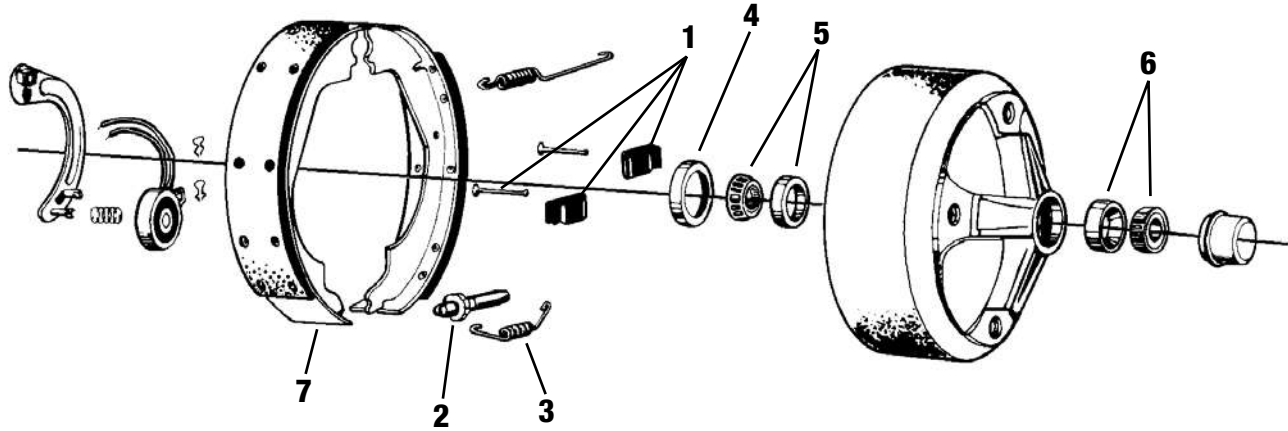
**AL-KO - 12" X 2"**



Ref.	NTP/STAG #	Husky Part #	Mfr.#	Description
1	21-0067	30819	#KB12E-06	Magnet Kit 6 & 7K
2	21-0114	30824	#KBE-363-00	Spring Kit
3	21-0113	30825	#KBE-353-00	Hold-Down Kit (Axle Set)
4, 5	21-0080	30826	#KBE-324-00	Adjusting Screw Kit
6	21-0106	30813	#25580/20	Inner Bearing Set
7	21-0097	30814	#LM67048/10	Outer Bearing Set

## QUALITY REPLACEMENT PARTS

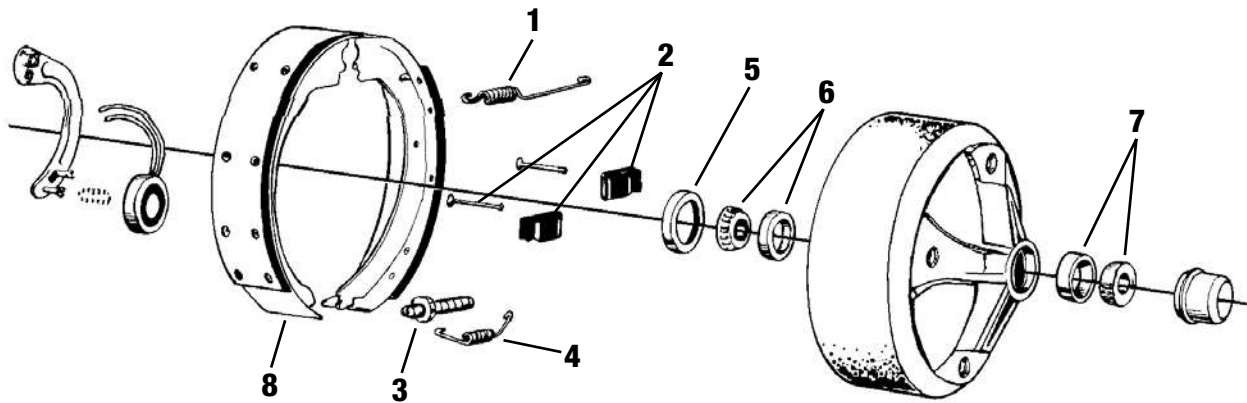
## FAYETTE - 10" X 2.25"



Ref.	NTP/STAG #	Husky Part #	Mfr.#	Description
1	21-0113	30825	#KBE-353-00	Hold-Down Kit (Axle Set)
2, 3	21-0080	30826	#KBE-324-00	Adjusting Screw Kit
4	21-0053	30828	#DL-172-03	Grease Seal (Axle Set)
4	21-0054	95913	#DL172-10	Grease Seals DL172, Sleeve of 10
5	21-0082	30815	#LM68149/11	Inner Bearing Set
6	21-0081	30812	#L44649/10	Outer Bearing Set
7	21-0092	30821	#KB10E-05	Shoe/Lining Kit

## QUALITY REPLACEMENT PARTS

## FAYETTE - 12" X 2"



Ref.	NTP/STAG #	Husky Part #	Mfr.#	Description
1	21-0114	30824	#KBE-363-00	Spring Kit
2	21-0113	30825	#KBE-353-00	Hold-Down Kit (Axle Set)
3, 4	21-0080	30826	#KBE-324-00	Adjusting Screw Kit
5	21-0056	30829	#DL-225-03	Grease Seal (Axle Set) 2.25" I.D.
5	21-0057	95914	#DL225-10	Grease Seals DL225, 2.25" I.D., Sleeve of 10
5	21-0107	31816	#DL-2125-2	Grease Seal (Axle Set) 2.125" I.D.
5	21-0055	95922	#DL-2125	Grease Seals DL2125, 2.125" I.D., Sleeve of 10
6	21-0106	30813	#25580/20	Inner Bearing Set
7	21-0097	30814	#LM67048/10	Outer Bearing Set
8	21-0110	30820	#KB12E-05	Shoe/Lining Kit

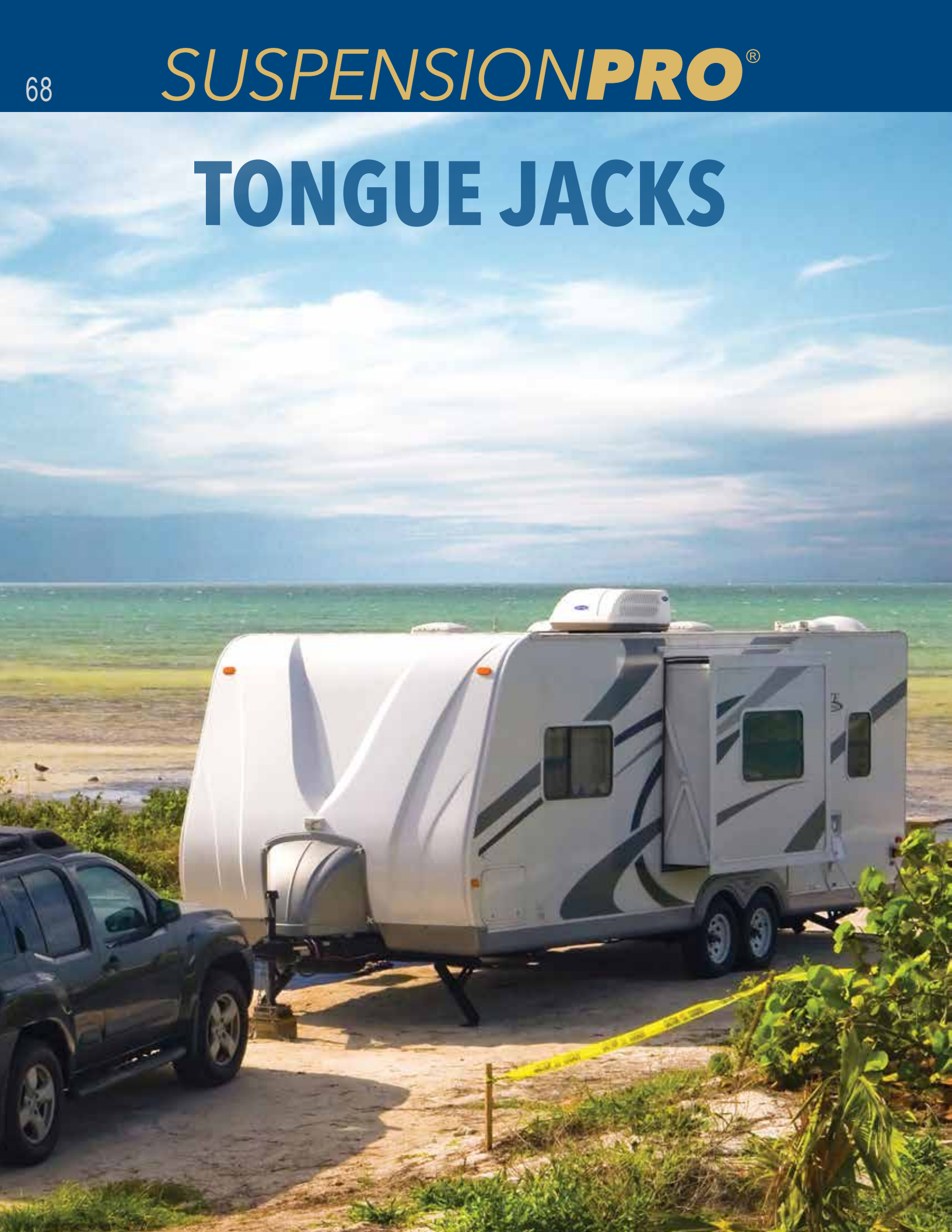


**HUSKY**<sup>®</sup>  
TOWING PRODUCTS

**RUGGED IS  
STANDARD EQUIPMENT.™**



# TONGUE JACKS





81199



81200



81201



88142

## ELECTRIC TONGUE JACKS

SuspensionPro Electric Tongue Jacks make setting up a weight distribution system easier than ever, replacing tedious hand cranking with the push of a button. They deliver an industry-leading duty cycle for a lifetime of reliable performance. They're fast, travel 6" up and 6" down in under 80 seconds. Exceptional efficiency is also built-in, with a respectably low current draw even under full load. Four feature-rich models are offered, for total lifting capacities of up to 3,500 pounds. For the best in all-around performance, go with the pro, SuspensionPro.

### SuspensionPro® features include:

- Exclusive "SmartStop" feature that prevents mechanical hard stops on end of stroke
- All SuspensionPro jack ratings are working load ratings, not just intermittent load
- All jacks, except the SP3000, have an adjustable drop-down foot
- The SP3000 has a removable foot that slides over the end of the inner tube

### SP2500 ELECTRIC TONGUE JACK

- 2,500 lb. lift capacity
- 2 1/4" jack diameter
- Full 18" stroke
- Travel speed 72 seconds
- UV resistant cover
- Water resistant
- Weather protected switches
- 3 multi-bulb worklights
- Durable powder coat finish
- Hardened steel gears
- Stainless steel fasteners
- 3/4" high-strength drive screw
- 12V operation
- Self-lubricating drive nut
- Internal automatic thermal protection
- Resettable circuit breaker
- Soldered electrical connections
- 16.5 amp current draw at full load

15-1464 81199 2,500 lbs

### SP3500 ELECTRIC TONGUE JACK

- 3,500 lb. lift capacity
- 2 1/4" jack diameter
- Full 18" stroke
- Travel speed 80 seconds
- UV resistant cover
- Water resistant
- Weather protected switches
- 3 multi-bulb worklights
- Durable powder coat finish
- Hardened steel gears
- Stainless steel fasteners
- 3/4" high-strength drive screw
- 12V operation
- Self-lubricating drive nut
- Internal automatic thermal protection
- Resettable circuit breaker
- Soldered electrical connections
- 23 amp current draw at full load

15-1467 81201 3,500 lbs

### SP3000 ELECTRIC TONGUE JACK

- 3,000 lb. lift capacity
- 2" jack diameter
- Full 18" stroke
- Travel speed 72 seconds
- UV resistant cover
- Water resistant
- Weather protected switches
- 3 multi-bulb worklights
- Durable powder coat finish
- Hardened steel gears
- Stainless steel fasteners
- 3/4" high-strength drive screw
- 12V operation
- Self-lubricating drive nut
- Internal automatic thermal protection
- Resettable circuit breaker
- Soldered electrical connections
- 20 amp current draw at full load

15-1466 81200 3,000 lbs

### SP3500 WHITE ELECTRIC TONGUE JACK

- 3,500 lb. lift capacity
- 2 1/4" jack diameter
- Full 18" stroke
- Travel speed 80 seconds
- UV resistant cover
- Water resistant
- Weather protected switches
- 3 multi-bulb worklights
- Durable powder coat finish
- Hardened steel gears
- Stainless steel fasteners
- 3/4" high-strength drive screw
- 12V operation
- Self-lubricating drive nut
- Internal automatic thermal protection
- Resettable circuit breaker
- Soldered electrical connections
- 23 amp current draw at full load

72-1112 88142 3,500 lbs, White

# POWER GENERATION

**INDEX**

- Battery Boxes 74
- Inverter Generator Display 74
- Inverter Generator Literature 74
- Inverter Generator Replacement Parts 72
- Parallel Kit 71
- PH 2200i Inverter Generator 72
- PH 2400 Inverter Generator 71
- PH 2400PRI/E Electronic Fuel Injection Inverter Generator 71
- PH 3300i Inverter Generator 72

**Reference**

- Inverter Generator Comparison Chart 73





## PH2400Pri/E PARALLEL-READY INVERTER GENERATOR WITH ELECTRONIC FUEL INJECTION

Easier, quicker startups! Computer-controlled electronic ignition design; no carburetor or choke!

- Power output 2400W max/ 2300W rated @120V
- Convenient startup options: remote with 75' range, ignition key, or recoil
- Variable speed to maximize economy
- Performance adjusts automatically for varying altitudes
- Continuous run times: 6.3 hrs at 1/4 load, 4.5 hrs at 1/2 load, and 2.8 hrs at full load
- Parallel-ready (requires optional Parallel Kit #67164)
- Smart USB ports: 2 @ 1A or 1 @ 2A
- 12V/8.3A max DC
- 4.35 hp (125cc) engine
- Overload reset switch and overspeed protection
- Factory-installed wheel kit included for easy transport
- EPA, CARB, CETL, FCC, and IC compliant
- 1 yr (500hrs) residential warranty;  
6 month (250 hrs) commercial warranty

71-5292 66873 PH2400Pri/E Inverter Generator



## PH2400Pi PARALLEL-READY INVERTER GENERATOR

- Power output 2400W max/ 2300W rated @120V
- Electric and recoil start
- Variable speed to maximize economy
- Smart USB ports: 2 @ 1A or 1 @ 2A
- Parallel-ready (requires optional Parallel Kit #67164)
- 12V/8.3A max DC
- 4.35 hp (125cc) engine
- Overload reset switch and overspeed protection
- Convenient fuel primer bulb
- External circuit breaker on control panel
- Factory-installed wheel kit included for easy transport
- EPA, CARB, and CETL compliant
- 1 yr (500hrs) residential warranty;  
6 month (250 hrs) commercial warranty

72-0678 67215 PH2400Pi Inverter Generator

## PARALLEL-READY BOOST YOUR POWER!

Use this optional parallel kit to combine the power output of two same-model Powerhouse PH2400Pri/E or PH2400Pi generators and boost output up to 4400W. Generators and parallel kit sold separately. Approved for both the USA and Canada.



72-0927 67164 Parallel Kit for use with two same-model PH2400Pri/E or two same-model PH2400Pi gen.





30A Generator Adapter Included

Accessories Included: 30A Generator Adapter, Oil Jug, Oil Drain Extension, Spare Spark Plug, Spark Plug Wrench, Screwdriver, 12V Battery Charge Cable, 2 Ignition Keys, Spare 20A ATC Style Fuse, 3 Owner's Manuals in English, French and Spanish, and 3 Quick Start Guides in English, French and Spanish

Handle extends out for easy maneuvering by one person

## PH3300i INVERTER GENERATOR

- Power output 3300W max/ 3200W rated @120V
- Electric and recoil start
- Variable speed to maximize economy
- Smart USB ports: 2 @ 1A or 1 @ 2A
- Will operate 13,500 BTU RV air conditioner
- Powerful 6.4 hp (27cc) engine
- Fuel gauge
- Hour meter
- One 5-20R 20 amp duplex receptacle and one L5-30R 30 amp twist-lock receptacle
- Overload reset switch and overspeed protection
- External circuit breaker on control panel
- Factory-installed wheels (2 w/brake, 2 swivel) for easy transport
- Padded folding handle
- 12V/8.3A max DC
- EPA, CARB, and CSA compliant
- 1 yr (500hrs) residential warranty; 6 month (250 hrs) commercial warranty

72-0679 67226 PH3300i Inverter Generator



## PH2200i INVERTER GENERATOR

- Recoil start
- 12V/8.3A max DC
- Variable speed to maximize economy
- Smart USB ports: 2 @ 1A or 1 @ 2A
- EPA, CARB, and CSA compliant
- 1 yr (500hrs) residential warranty; 6 month (250 hrs) commercial warranty

71-5999 68675 PH2200i Inverter Generator

## MAINTENANCE ACCESSORIES

### PH2200i

Fuel Cap	71-8547	69784
Fuel Strainer	48-0264	69411
Fuel Filter	71-5302	67184
Air Filter	48-0111	69800
Spark Plug A7RTC	71-8549	69786



### PH2400Pri/E

Fuel Cap	48-0310	69429
Fuel Strainer	48-0264	69411
Fuel Filter	19-4182	67112
Air Filter	48-0125	69425
Spark Plug A7RTC	71-8549	69786
Battery 12V	62-1287	6QF5



### PH2400Pi

Fuel Cap	48-0310	69429
Fuel Strainer	48-0264	69411
Fuel Filter	71-5302	67184
Air Filter	48-0111	69800
Spark Plug A7RTC	71-8549	69786
Battery 12V	62-1287	6QF5
Battery Li-Ion	71-5311	67430



### PH3300i

Fuel Cap	48-0522	62650
Fuel Strainer	48-0397	60556
Fuel Filter	71-5302	67184
Air Filter	48-0117	69461
Spark Plug F7RTC	48-0119	69537
Battery 12V	03-1885	PTX9BSFS
Battery Li-Ion	71-5311	67430





FEATURE	PH2200i	PH2400Pi	PH2400Pri/E	PH3300i
Automatic Low Oil Shutdown	Yes	Yes	Yes	Yes
Certifications	EPA, CSA, CARB	CETL, EPA, CARB	CETL, EPA, CARB, FCC, IC	CSA, EPA, CARB
Choke	Manual	Manual	N/A	Manual
Continuous Run Time (1/4 Load)	7.8 hrs	7.2 hrs	6.3 hrs	16.6 hrs
Continuous Run Time (1/2 Load)	5.7 hrs	4.8 hrs	4.5 hrs	10.9 hrs
Continuous Run Time (Full Load)	3.4 hrs	3.1 hrs	2.8 hrs	7.3 hrs
DC Output	12V/8.3A	12V/8.3A	12V/8.3A	12V 8.3A
Displacement	125cc	125cc	125cc	270cc
Electric Circuit Breaker	Inverter controlled and panel mounted	Inverter controlled and panel mounted	Inverter controlled and panel mounted	Inverter controlled and panel mounted
Engine Type	Single cylinder, 4-stroke OHC air-cooled, gasoline	Single cylinder, 4-stroke OHC air-cooled, gasoline	Single cylinder, 4-stroke OHC air-cooled, gasoline	Single cylinder, 4-stroke OHV air-cooled, gasoline
Fuel Economy Switch	Yes	No switch (automatic function)	No switch (automatic function)	No switch (automatic function)
Fuel Gauge	No	No	Digital	Yes
Fuel Tank Capacity	1.4 gal (5.3 liters)	1.3 gal (4.9 liters)	1.2 gal (4.5 liters)	4.34 gal (16.4 liters)
Fuel Type	Unleaded gasoline	Unleaded gasoline	Unleaded gasoline	Unleaded gasoline
Generator Dimensions	19.1"H x 11.3"W x 21.3"D (485mm H x 287mm W x 541mm D)	19.5"H x 12"W x 22"D (495mm H x 305mm W x 559mm D)	19.5"H x 12"W x 22"D (495mm H x 305mm W x 559mm D)	21.25"H x 18.75"W x 23.75"D (540mm H x 476mm W x 603mm D)
Horse Power	4.35hp	4.35hp	4.35hp	6.4hp
Hour Meter	No	No	Digital	Yes
Ignition System	CDI	CDI	Computer-controlled electronic	CDI
Inverter Equipped	Yes	Yes	Yes	Yes
Max Current	18.3A	20.0A	20.0A	27.5A
Max Current in Parallel Mode	N/A	36.7A	36.7A	N/A
Max Engine Speed	5000rpm	5000rpm	5000rpm	3600rpm
Max Output	2.2kw	2.4kw	2.4kw	3.3kw
Max Output in Parallel Mode	N/A	4.4kw	4.4kw	N/A
Neutral	Floating	Floating	Floating	Floating
Noise Level (No Load/Full Load)	60/73 db @ 23ft (7m)	61.2/70.9 db @ 23ft (7m)	61/72 db @ 23ft (7m)	63.3/73.4 db @ 23ft (7m)
Oil Capacity	15.6fl oz (461ml)	15.6fl oz (461ml)	15.6fl oz (461ml)	33.8fl oz (1.0 liter)
Oil Type	0W-30, 0W-40 below 32°F 10W-30, above 32°F	0W-30, 0W-40 below 32°F 10W-30, above 32°F	0W-30, 0W-40 below 32°F 10W-30, above 32°F	0W-30, 0W-40 below 32°F 10W-30, above 32°F
Overload Reset Switch	No	Yes	Yes	Yes
Overspeed Protection	Yes	Yes	Yes	Yes
Parallel Ready	No	Yes	Yes	No
Phase	Single	Single	Single	Single
Primer Bulb	Yes	Yes	No	No
Rated Current	17.5A	19.2A	19.2A	26.7A
Rated Current in Parallel Mode	N/A	35.8A	35.8A	N/A
Rated Frequency	60hz	60hz	60hz	60hz
Rated Output	2.1kw	2.3kw	2.3kw	3.2kw
Rated Output in Parallel Mode	N/A	4.3kw	4.3kw	N/A
Rated Voltage	120V	120V	120V	120V
Receptacles	120V, 20A 5-20R Duplex USB, 1x @ 2.0A or 2x @ 1.0A	120V, 20A 5-20R Duplex USB, 1x @ 2.0A or 2x @ 1.0A	120V, 20A 5-20R Duplex USB, 1x @ 2.0A or 2x @ 1.0A	120V, 20A 5-20R Duplex 120V, 30A L5-30R (Twist Lock) USB, 1x @ 2.0A or 2x @ 1.0A
Spark Plug	A7RTC	A7RTC	A7RTC	F7RTC
Starting System	Recoil	Electric and recoil	Remote, electric and recoil	Electric and recoil
Structure	Enclosed	Enclosed	Enclosed	Enclosed
Warranty (Commercial)	6 mos	6 mos	6 mos (250 hrs)	6 mos (250 hrs)
Warranty (Residential)	1 yr	1 yr	1 yr (500 hrs)	1 yr (500 hrs)
Weight (Dry)-Gross	68.7lb (31kg)	82.75lb (37.5kg)	88.4lb (40.1kg)	148.6lb (67.4)
Weight (Dry)-Net	63.5lb (29kg)	73.3lb (33.2kg)	78.9lb (35.8kg)	134.1lb (60.8kg)
Wheels	N/A	Included	Included	2 fixed with brakes, 2 swivel

## BATTERY BOXES

Heavy-duty "strap-style" battery boxes are vented and made of lightweight, high-strength polypropylene to withstand impact and battery acid. Our battery boxes meet USCG specs. Each box comes complete with lid, strap and mounting brackets. Available in 3 popular sizes.

- 19-3017 13034 Group 24 Battery Box  
11.5"L x 8"W x 8.5"H
- 19-3018 13035 Group 27 Battery Box  
14"L x 8"W x 8.5"H
- 19-3019 13228 Group GC-2 Battery Box  
11.5"L x 8"W x 9.5"H



## BATTERY HOLD-DOWN STRAPS

Straps include a woven polypropylene strap with firm grip buckle plus a hardware kit of two polypropylene tie-down brackets and stainless steel screws.

- 19-3185 12024 42" Strap Kit
- 19-3183 11796 54" Strap Kit



## GENERATOR DISPLAY

- 1.5" Sq. tubing construction
- Full walk-around view
- Header graphics on both sides
- Side-mounted literature rack
- Includes 20 flyers of one model

81-0946 90339 Generator display

Top shelf holds one of the following models: PH2400Pi, PH2400Pri/E or PH2200i;  
Bottom shelf holds one of the following models: PH3300i, PH2400Pri/E, PH2400Pi or PH2200i



## GENERATOR LITERATURE 20PK

(one model below)

- POWS1 PH2400Pi Flyer
- POWS2 PH2400Pri/E Flyer
- POWS3 PH3300i Flyer
- POWS5 PH2200i Flyer



Front Copy

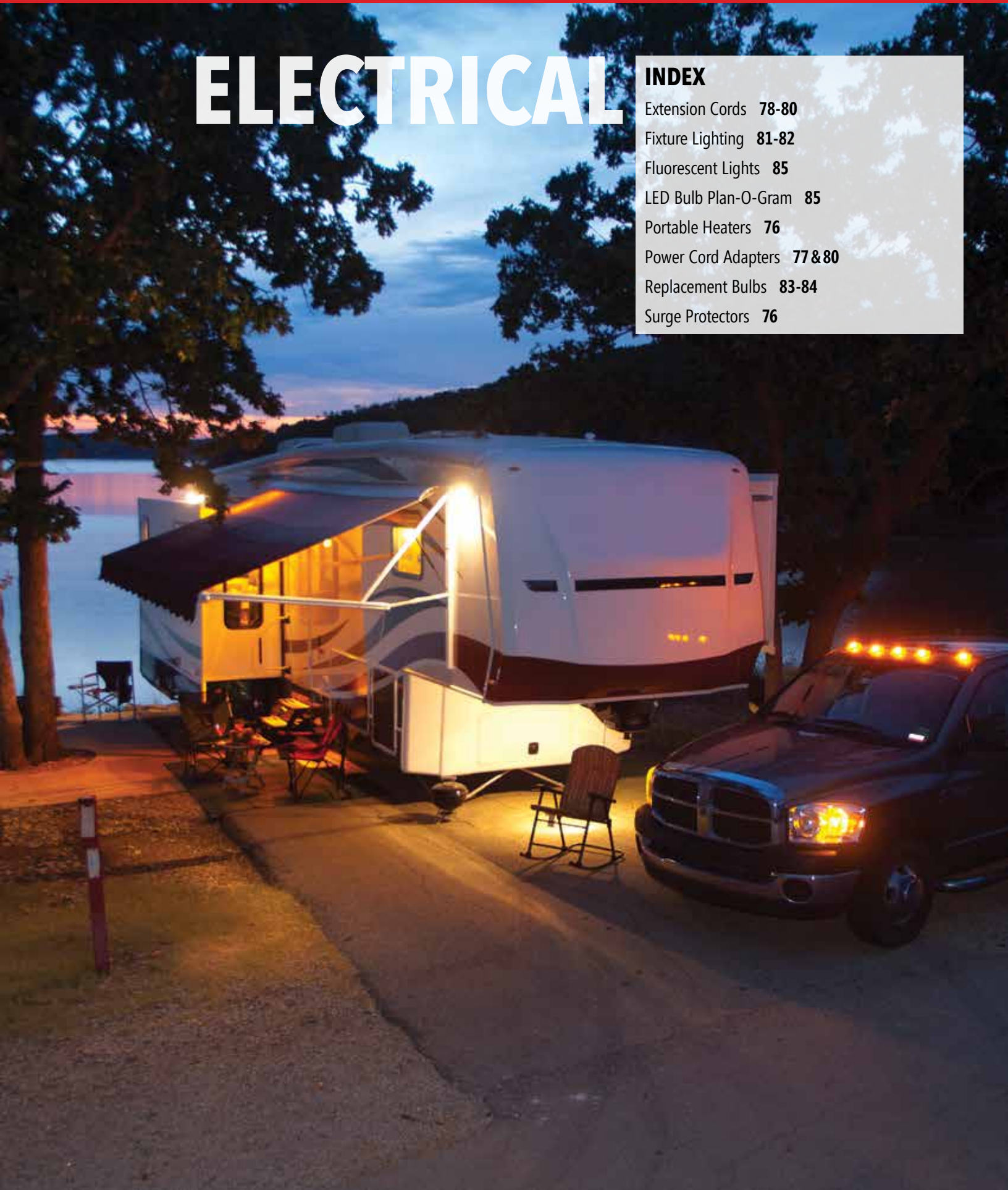


Back Copy

# ELECTRICAL

## INDEX

- Extension Cords 78-80
- Fixture Lighting 81-82
- Fluorescent Lights 85
- LED Bulb Plan-O-Gram 85
- Portable Heaters 76
- Power Cord Adapters 77 & 80
- Replacement Bulbs 83-84
- Surge Protectors 76





*Tested to UL  
Specifications*

## 30A & 50A SURGE PROTECTORS

- Protects valuable downstream electronics and RV appliances
- Absorbs and diverts high voltage spikes and surges
- Has the highest surge absorption capacity (Joules rating) among portable RV surge protectors
- Detects and alerts of low voltage and improper wiring conditions
- Comes with multi lightning strike protection which diverts the strike energy to ground

### 30A 120V SURGE PROTECTOR

03-8106 19658 30A 120V Surge Protector

- Operating Current: 30A
- Operating Voltage: 120V
- Operating Wattage: 3600W
- Frequency: 60Hz
- Plug/Receptacle Type: TT-30P / TT-30R
- Low Voltage Detection: Appx.  $\leq 106V$
- 3600 Joules of Power Suppression
- 3 Modes of Protection: Hot, Ground, & Neutral
- 1 Year Limited Liability Warranty

### 50A 240V SURGE PROTECTOR

31-8107 19666 50A 240V Surge Protector

- Operating Current: 50A
- Operating Voltage: 240V (120V per line)
- Operating Wattage: 12,000W
- Frequency: 60Hz
- Plug/Receptacle Type: 14-50P / 14-50R
- Low Voltage Detection: Appx.  $\leq 106V$  (per line)
- 7200 Joules of Power Suppression
- 4 Modes of Protection: Hot L1, Hot L2, Ground, & Neutral
- 1 Year Limited Liability Warranty

## PORTABLE HEATERS

- Variable thermostat
- Switch settings: off, fan only, low heat and high heat
- Rating: 1500W / 750W
- Tip-over switch works in all directions
- Lightweight
- 120VAC operating voltage
- CETL approved

08-0018 64408 Coil Heater  
08-0019 64409 Ceramic Heater



**COIL HEATER**  
10.375" H



**CERAMIC HEATER**  
7.5" H





**30A RV TWIST LOCK ADAPTER**  
19-3724 14398 L5-30 x 30A Adapter



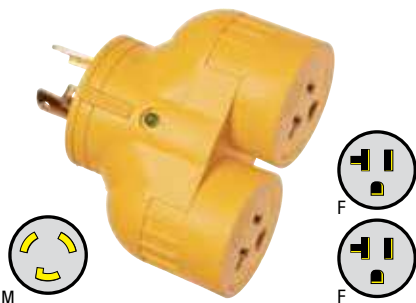
**30A RV TWIST LOCK ADAPTER**  
19-3353 11827 L5-30 x 5-20 Adapter



**30A EASY GRIP ROUND ADAPTER**  
Made of durable UV protected PVC with solid brass contacts. Bulk.  
19-3335 14018 30A F-50A M  
19-1138 14018C 30A F-50A M CSA



**50A EASY GRIP ROUND ADAPTER**  
Made of durable UV protected PVC with solid brass contacts. Bulk.  
19-3334 14014 50A F-30A M  
19-1003 14014C 50A F-30A M CSA



**30A DUAL TWIST LOCK ADAPTER**  
30A dual twist adapter.  
• Green LED indicates power  
19-3354 11828 L5-30 M - (2) 5-20 F



**125V 15A TEMPORARY ADAPTER**  
RV round plug. Easy grip handle.  
19-2805 14058C 15A F-30A M CSA Bulk



**125V 30A TEMPORARY ADAPTER**  
RV round plug. Easy grip handle.  
19-3722 13218 30A F-15A M CSA Cd/1  
19-3336 13333 30A F-15A M CSA Bulk



**125V 15A TEMPORARY ADAPTER**  
Triangular replacement adapter.  
19-2166 14053C 15A F-30A M CSA  
19-2405 14054C 15A F-30A M CSA Bulk



**125V 30A TEMPORARY ADAPTER**  
Triangular replacement adapter.  
19-3348 13993 30A F-15A M CSA Cd/1  
19-3339 13995 30A F-15A M CSA Bulk



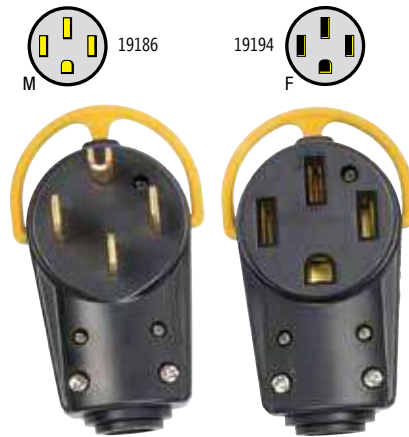
**30A 90° TEMPORARY ADAPTER**  
90 degree angle RV plug.  
19-3352 14081 30A F-15A M  
19-3723 14082 30A F-15A M Bulk  
19-4332 14081C 30A F-15A M CSA  
19-4497 14082C 30A F-15A M CSA Bulk



**REPLACEMENT RECEPTACLE & PLUG WITH FOLDING HANDLES 30A**

- Used for creating custom extension cords and adapters
- Yellow grasp handles allow for easier plug removal and night visibility
- Constructed of high impact plastic and solid brass contacts
- cUL approved

19-3359 18203 30A Male Cord End  
19-3364 18206 30A Female Cord End

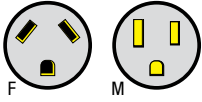


**50A**

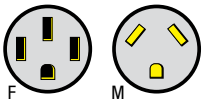
- Used for creating custom extension cords and adapters
- Yellow grasp handles allow for easier plug removal and night visibility
- Constructed of high impact plastic and solid brass contacts
- cUL approved

19-3358 19186 50A Male Cord End  
19-3725 19194 50A Female Cord End

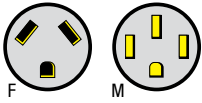
*Products with a CSA or cUL designation are certified for sale in Canada.*



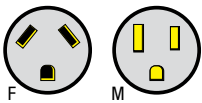
14366



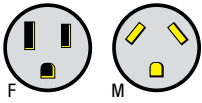
14372



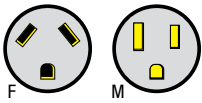
14368



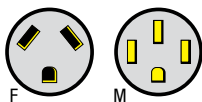
14245



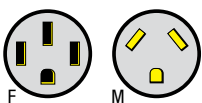
14362C



14365C



14367C



14371C

## PREMIUM SERIES PIGTAIL ADAPTERS

- Sturdy pull-handle is designed for easy retrieval
- Pull-handle lays flat against plug
- Outlet covers can be fully closed over plug during use
- High-visibility yellow
- Constructed of durable PVC with solid brass contacts
- Not UL listed

## Premium Series FLAT WIRE PIGTAIL ADAPTERS

Flexible flat bonded 10/3 ga. wire. Packaged; Yellow/Black

19-3313	14366	30A F-15A M, 12"
19-3324	14368	30A F-50A M, 18"
19-3321	14372	50A F-30A M, 18" CSA

## Premium Series TEMPORARY PIGTAIL ADAPTERS

Packaged; Yellow/Black

19-3720	14245	30A F-15A M, 9"
19-4543	14362C	15A F-30A M, 18" CSA
19-4544	14365C	30A F-15A M, 18" CSA
19-4545	14367C	30A F-50A M, 18" CSA
19-4546	14371C	50A F-30A M, 18" CSA

*Products with a CSA or cUL designation are certified for sale in Canada.*

## ECONOMY SERIES PIGTAIL ADAPTERS

- Made of durable PVC with solid brass contacts
- Black cord
- Do not have a handle and are only available in bulk.
- Easy grip on both ends
- Manufactured of flexible flat bonded 10/3 gauge wire.
- Not UL listed

### Economy Series FLAT WIRE PIGTAIL ADAPTERS

Bulk; Black

19-3333	14243	30A F-50A M, 18"
19-3308	14244	50A F-30A M, 18"
19-3719	14246	30A F-15A M, 12"

### Economy Series TEMPORARY PIGTAIL ADAPTERS

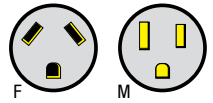
Bulk; Black

19-4498	14239C	15A F-30A M, 18" CSA
19-4499	14240C	30A F-15A M, 18" CSA
19-4539	14241C	30A F-50A M, 18" CSA
19-4542	14242C	50A F-30A M, 18" CSA
19-3329	14370	30A F-15A M, 9"

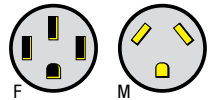
Products with a CSA or cUL designation are certified for sale in Canada.



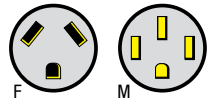
14246



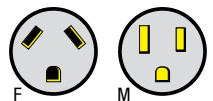
14244



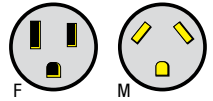
14243



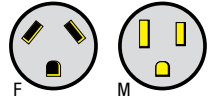
14370



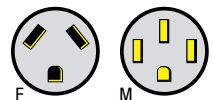
14239C



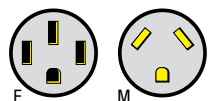
14240C



14241C



14242C







### PREMIUM SERIES EXTENSION CORDS

- Sturdy pull-handle is designed for easy retrieval
- Pull-handle lays flat against plug
- Outlet covers can be fully closed over plug during use
- High-visibility yellow; constructed of durable PVC with solid brass contacts

19-3314	11533	Premium 30A, 25ft. w/handle
19-3316	11534	Premium 30A, 50ft. w/handle
19-3317	11535	Premium 50A, 30ft. w/handle

### EXTENSION CORDS

Feature molded male plug on one end and molded female plug on the other

19-3311	14248	30A-30A, 25ft.
19-3312	14249	30A-30A, 50ft.
19-0835	14251	50A-50A, 30ft. CSA



### STRIPPED POWER CORDS

Feature molded male plug on one end and stripped other end

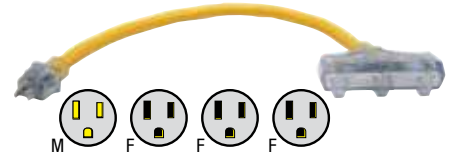
19-3307	14247	30A M-Stripped, 25ft.
19-3332	14250	50A M-Stripped, 25 ft.



### GENERATOR ADAPTER

Enables you to connect a 30A 120V RV extension cord to your generator's twist-lock L5-30 power outage receptacle.

19-3356	14977	L5-30 M - 30A F, 12"
---------	-------	----------------------



### GENERATOR POWER BLOCK

- Adapts one 5-15 plug to three lighted 5-15 receptacles
- Lighted ends confirm power

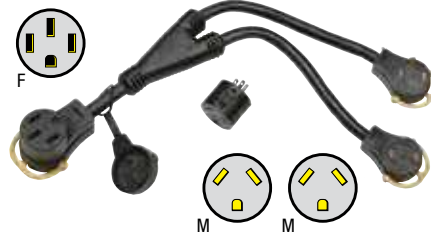
19-3327	17360	L5-15 M (3) - 5-15 F
---------	-------	----------------------



### PREMIUM SERIES STRIPPED TEMPORARY 18" PIGTAILS

- Made of durable PVC with pull-handle
- Solid brass contacts; Not UL listed

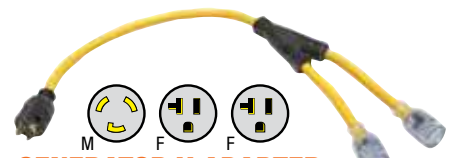
19-3303	14363	30A F-Stripped, 18"
19-3319	14369	30A M-Stripped, 18"



### MULTI-MAX ADAPTER KIT

- Two 17" 30A cords attached to one 6" 50A cord
- Uses two 120V/30A circuits and one 30A-20A adapter (included) to provide 240V/50A of service
- Use a 15A-30A adapter and one 30A cord to hook a 50A RV service cord to a 120V outlet at home

19-3318	17341	Multi-Max Adapter
---------	-------	-------------------



### GENERATOR Y-ADAPTER

Adapts one locking 120V/30A plug to two lighted 5-20 receptacles

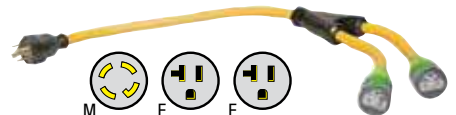
19-3357	17361	L5-30 M (2) - 5-20 F
---------	-------	----------------------



### STRIPPED TEMPORARY 18" PIGTAILS

- Made of durable PVC
- Solid brass contacts; Not UL listed

19-3304	14237	30A F-Stripped, 18"
19-3306	14238	30A M-Stripped, 18"



### GENERATOR Y-ADAPTER

Adapter L14-30P adapts one locking 120V/30A plug to two lighted 5-20 receptacles

19-3355	17362	L14-30 M (2) - 5-20 F
---------	-------	-----------------------

## UNIVERSAL PORCH/UTILITY LIGHTS

- Illuminate the surrounding area to improve security and visibility
- Surface mount lights with an optional rocker switch for power
- Black or white base with clear or amber snap-in lens
- Rectangular lights use replacement bulb #1003 and are 5.75" L x 3.5" W
- Oval shaped lights use replacement bulb #1141 and are 6.4" L x 4.2" W
- Replacement Lens Dimensions: 5.25" L x 2.5" W

### Rectangle Lights:

18-0845	20672	LED, Bright White, Clear Lens, White, w/o Switch
18-0860	20673	LED Bright White, Clear Lens, White, w/ Switch
18-2694	20674	LED, Bright White, Amber Lens, White, w/o Switch *
18-2695	20675	LED, Bright White, Amber Lens, White, w/Switch *
18-2696	20676	LED Bright White, Clear Lens, Black, w/o Switch *
18-2697	20677	LED, Bright White, Clear Lens, Black, w/Switch *

18-0780	18111	Incandescent, White, Amber Lens, w/Switch
18-0763	18104	Incandescent, White, Clear Lens, w/Switch
18-0779	18109	Incandescent, White, Amber Lens
18-0759	18102	Incandescent, White, Clear Lens
18-0839	51308	Incandescent, Black, Clear Lens, w/Switch
18-0838	51309	Incandescent, Black, Clear Lens, w/o Switch

### Replacement Lenses:

18-0778	18107	Lens, Amber
18-0777	18106	Lens, Clear

### Oval Lights:

18-2698	20678	LED, Bright White, Clear Lens, White, w/o Switch *
18-2699	20679	LED, Bright White, Clear Lens, White, w/Switch *
18-2700	20680	LED, Bright White, Clear Lens, Black, w/o Switch *
18-2701	20681	LED, Bright White, Clear Lens, Black, w/Switch *

18-0796	51251	Incandescent, Clear Lens, White, w/o Switch
18-0836	51252	Incandescent, Clear Lens, White, w/Switch

### Replacement Lenses:

18-0837	51299	Lens Only, Clear
---------	-------	------------------

## SCARE/PORCH LIGHTS

- Double illumination for enhanced security lighting
- Cost-efficient 18 LED configuration produces 2.7 W/215 lumens
- Durable white stainless steel housing with clear acrylic lens

18-1748	16193	Incandescent Scare Light w/Clear Lens
18-0416	10705	Incandescent Scare Light w/Clear Lens, Bulk

## DIMMABLE LED EURO-STYLE LIGHTS

- Offer a sleek single or double design
- Sliding switch adds convenience of light output control
- Features on/dim/off settings
- Uses replacement bulb #1141
- Single light dimensions: 8" x 4.75", requires mounting screws (not included)
- Double Light dimensions: 11" x 4.75" requires mounting screws (not included)

### Single Light:

18-0930	51265	LED, Bright White, White Lens
18-0931	51266	LED, Bright White, Optic Lens

### Double Light:

18-0935	51267	LED, Bright White, White Lens
18-0936	51268	LED, Bright White, Optic Lens



Limited 1 year warranty on Light fixtures



18122



20669



20670



20668



20667



11824



11825

## EURO-STYLE LIGHTS

- Offer a sleek single or double design
- Colonial or white base with squeeze-to-remove white or optic lens
- Single lights offer a 2-position switch (off/on)
- Double lights offer 3-position switch (off/1 light/2 light)
- Uses replacement bulb #1141
- Single light dimensions: 8" x 4.75", requires 4 mounting screws (not included)
- Double Light dimensions: 11" x 4.75" requires 6 mounting screws (not included)

### Single Light:

18-0782	18122	Incandescent, Optic Lens, White
18-0781	18121	Incandescent, White Lens, White
18-0842	20669	LED, Bright White, Optic Lens
18-0900	20725	LED, Bright White, White Lens
18-0861	20711	LED, Soft White, Optic
18-0863	20713	LED, Soft White, White Lens

### Double Light:

18-0784	18124	Incandescent, Optic Lens, White
18-0783	18123	Incandescent, White Lens, White
18-0641	18015	Incandescent, Optic Lens, Colonial White
18-0635	17926	Incandescent, White Lens, Colonial White
18-0843	20670	LED, Optic Lens, BW
18-0928	20726	LED, Bright White, White Lens
18-0862	20712	LED, Soft White, Optic Lens
18-0864	20714	LED, Soft White, White Lens

### Replacement Lenses:

18-0748	18017	Lens, Optic
18-0675	18016	Lens, White

## ECONOMY LIGHTS

- Low profile interior lights are economical, energy-efficient, and provide bright light
- Easy to clean, snap-out lens offered in clear or optic
- Single lights offer a 2-position switch (off/on) and use replacement bulb #1016
- Double lights offer 3-position switch (off/1 light/2 light) and use replacement bulb #1141
- Single light dimensions: 6.25" x 5.5" x 1-5/8" (wood screws not included)
- Double light dimensions: 11.5 x 5.5 x 1-5/8" (wood screws not included)

### Single Light:

18-0501	11824	Incandescent, Optic Lens
18-0578	14655	Incandescent, White Lens
18-0840	20667	LED, Bright White
18-1788	20715	LED, Soft White

### Double Light:

18-0505	11825	Incandescent, Optic Lens
18-0596	14656	Incandescent, White Lens
18-0841	20668	LED, Bright White
18-0888	20716	LED, Soft White

### Replacement Lenses:

18-0506	11826	Lens, Optic
18-0791	18530	Lens, White
18-0626	14813	Lens, White, Bulk

**LED lights offer longer lasting, energy-efficient lighting and produce better light quality with low heat output**

PART #	MFG #	BULB	AMPS	WATTS
18-1682	16751	#53, 2/cd	1.4	0.12
18-1774	16750	#53, 10/box	1.4	0.12
18-1684	16753	#57, 2/cd	0.24	2.9
18-1683	16752	#57, 10/box	0.24	2.9
18-1686	16755	#67, 2/cd	0.59	7.1
18-1685	16754	#67, 10/box	0.59	7.1
18-1676	11971	#71, 2/cd	0.8	10
18-1688	16761	#94, 2/cd	1.04	12.5
18-1724	16800	#194, 2/cd	0.27	3.2
18-1689	16762	#194, 10/box	0.27	3.2
18-1667	50557	#194, Bright White LED, 1/cd	0.065	0.8
18-1668	50558	#194, Bright White LED, 6/cd	0.065	0.8
18-1677	15753	#193, 2/cd	0.33	4.62
18-1690	16763	#211, 2/cd	0.84	10
18-1589	50664	#211, 3 LED, 1/cd 12V	0.028	0.4
18-1691	16764	#211-2, 2/cd	0.97	11.6
18-1588	50687	#211-2, Soft White LED, 1/cd 12V	0.028	0.4
18-1720	16793	#212-2, 2/cd	0.74	8.9
18-1590	50702	#212-2, Soft White LED, 1/cd	0.028	0.4
18-1692	16765	#906, 2/cd	0.69	8.3
18-1678	15754	#906, 10/box	0.69	8.3
18-1725	16801	#912, 2/cd	1	12
18-1679	15755	#912, 10/box	1	12
18-1669	50610	#912, Soft White LED	0.065	0.8
18-1726	16802	#921, 2/cd	1.4	16.8
18-1721	16794	#921, 10/box	1.4	16.8
18-1670	50567	#921, Bright White LED	0.095	1.2
18-1671	51274	#921, Bright White LED, 6/cd	0.095	1.2
18-1672	50564	#921, Soft White LED	0.095	1.2
18-1673	51273	#921, Soft White LED, 6/cd	0.095	1.2
18-1722	16795	#922, 2/cd	0.98	11.8
18-1674	50568	#922, Soft White LED, 1/cd	0.065	0.8
18-1727	50784	#JC20 Halogen 12V, 2/pk	0.6	20
18-1681	16747	#JC10W Halogen, 2/cd	0.84	10
18-1658	50529	#JC10W 9 LED, Bright White	0.84	10
18-1659	51465	#JC10W 9 LED, Bright White, 6/pk	0.84	10
18-1660	50527	#JC10W 9 LED, Soft White	0.84	10
18-1661	51466	#JC10W 9 LED, Soft White, 6/pk	0.84	10
18-1771	50552	#JC10W 6 LED, Bright White	0.84	10
18-1657	50533	#JC10W 6 LED, Soft White	0.84	10
18-1656	51272	#JC10W LED Disc Triple H #G4S	0.84	10
18-1662	50562	#MR11 Bright White LED	0.066	0.8
18-1663	50561	#MR11 Soft White LED	0.066	0.8
18-1772	50559	#MR16 Bright White LED	0.6	20
18-1664	50560	#MR16 Soft White LED	0.6	20
18-1694	16768	#1003, 2/cd	0.94	11.3
18-1693	16766	#1003, 10/box	0.94	11.3
18-1582	50435	#1003, Bright White LED	0.16	2
18-1583	50436	#1003, Bright White LED, 6/pk	0.16	2
18-1584	50455	#1003, Soft White LED	0.16	2
18-1585	50458	#1003, Soft White LED, 6/pk	0.16	2
18-1695	16769	#1004, 2/cd	0.94	11.3
18-1586	50474	#1004, Soft White LED, 1/cd	0.16	2
18-1587	50475	#1004, Soft White LED, 6/cd	0.16	2
18-1696	16770	#1016, 2/cd	1.34	16.1
18-1650	50725	#1016, Bright White LED	0.25	3.2
18-1651	50773	#1016, Soft White LED	0.25	3.2
18-1697	16772	#1073, 2/cd	1.8	21.6
18-1593	50398	#1073, Bright White LED	0.25	3.2
18-1594	50407	#1073, Bright White LED, 6/cd	0.25	3.2
18-1699	16774	#1076, 2/cd	1.8	21.6
18-1698	16773	#1076, 10/box	1.8	21.6
18-1591	50492	#1076, Soft White LED	0.25	23
18-1592	50493	#1076, Soft White LED, 6/cd	0.25	23
18-1708	16775	#1139-IF, Inside Frosted, 2/cd	1.04	12.5





11971



16763



50664



50429



50474



50567



50568



50610



PART #	MFG #	BULB	AMPS	WATTS
18-1710	16777	#1141, 2/cd	1.44	17.3
18-1709	16776	#1141, 10/box	1.44	17.3
18-1599	50368	#1141, 24 LED, Bright White	0.25	3.2
18-1601	50380	#1141, 24 LED, Bright White, 6/pk	0.25	3.2
18-1617	50367	#1141, 24 LED, Soft White	0.25	3.2
18-1618	50377	#1141, 24 LED Soft White, 6/pk	0.25	3.2
18-1595	50373	#1141, 18 LED, Bright White	0.19	2.4
18-1596	50386	#1141, 18 LED, Bright White, 6/pk	0.19	2.4
18-1597	50369	#1141, 18 LED, Soft White	0.19	2.4
18-1598	50385	#1141, 18 LED, Soft White, 6/pk	0.19	2.4
18-1711	16778	#1141-IF, Inside Frosted, 2/cd	1.44	17.3
18-1712	16779	#1142, 2/cd	1.44	17.3
18-1714	16783	#1156, 2/cd	2.1	25.2
18-1713	16782	#1156, 10/box	2.1	25.2
18-1639	50387	#1156, Bright White LED	0.25	3.2
18-1640	50392	#1156, Bright White LED, 6/pk	0.25	3.2
18-1716	16785	#1157, 2/cd	2.1	25.2
18-1715	16784	#1157, 10/box	2.1	25.2
18-1652	50509	#1157, Bright White LED	0.25	3.2
18-1653	50510	#1157, Bright White LED, 6/pk	0.25	3.2
18-1717	16788	#1383, 2/cd	1.54	18.5
18-1680	15758	#1383, 10/box	1.54	18.5
18-1654	50524	#1383, Soft White LED, 1/cd	0.417	5
18-1719	16792	#1895, 2/cd	0.27	3.2
18-1718	16791	#1895, 10/box	0.27	3.2
18-1655	50829	#2099, Soft White LED, 1/cd	0.25	3.2
18-1723	16798	#3157, 2/cd	2.02	24.2

LED	BULBS	Arcon Bright White LED Bulbs		
18-2070	52275	#1156	2.1	25.2
18-2068	52273	#921-5HP	0.242	2.9
18-2066	52271	#G4-3HP	0.167	2
18-2064	52269	#G4-9P4	0.25	3
18-2025	52231	#1141	1.4	17.3

LED	BULBS	Arcon Soft White LED Bulbs		
18-2069	52274	#1156	2.1	25.2
18-2067	52272	#921-5HP	0.242	2.9
18-2065	52270	#G4-3HP	0.167	2
18-2063	52268	#G4-9P4	0.25	3
18-2024	52230	#1141	1.4	17.3

18-1665	50363	Dome Light 24 LED Kit BW 12V	0.158	1.9
18-1666	50366	Dome Light 24 LED Kit SW 12V	0.158	1.9

### Emergency Bulb Kit

Includes: 13 bulbs: (3 - #57 clearance bulbs, 1 - #67 license/courtesy bulb, 2 - #194 clearance bulbs, 1 - #906 interior/porch bulb, 2 - #1003 interior/porch bulbs, 2 - #1141 taillight/interior bulbs, 2 - #1157 taillight/interior bulbs.)

18-1775 16796 Emergency Bulb Kit

### Late Model Emergency Bulb Kit

Includes: 14 bulbs: (1 - #194, 1 - #912, 2 - #921, 2 - #1003, 1 - #1076, 2 - #1141, 1 - #1157, 2 - #3157, 2 - #JC10W.)

19-3923 51270 Late Model Emer. Bulb Kit

## FLUORESCENT LIGHTS

- Available in 16 watt and 30 watt
- Sleek Euro style design
- Surface mount for easy installation
- Features on/off rocker switch



16 watt is 16 7/8" L x 4 3/8" W; 1 3/8" H, uses two 8-Watt, 12" F8T5/CW fluorescent tubes. Draws only 1.8 total amps

18-0507 13812 Crd/1



30 watt is 24" L x 6 1/2" W; 1 3/4" H, uses two 15 watt, 18" F15T8/CW fluorescent tubes. Draws only 3.7 total amps

18-1747 13813 Crd/1

## REPLACEMENT BULBS



18-0633 16749 8W, 12" Tubes, F8T5/CW Pkg/2



18-0630 16748 15W, 18" Tubes, F15T8/CW Pkg/2

## SOFT WHITE LED REPLACEMENTS FOR FLUORESCENT TUBES



18-1773 50708 12" Replacement for F8T5/CW; 30 LED 4.1W, Pkg/1 #T5-12-SW-1 10



18-1675 50713 18" Replacement for F15T8/CW; 54 LED, 7.5W, Pkg/1 #T8-18-SW-1 10

## LED BULB & FIXTURE PLANOGRAMS

Arcon offers two Plan-O-Gram assortments, each of which is designed to maximize your profitability in a minimum amount of space. The large assortment includes 27 bulb skus and 15 fixtures, and is merchandised in a 48" section. We include a complete display kit to make this LED assortment stand out in your store. The smaller assortment is ideal for end-caps in your store and includes 41 bulb skus and 2 fixtures. The Arcon LED Plan-O-Gram is set up to provide a 36" or 48" area of display for RV LED product. It is offered in English or French versions and places 40+ different skus in an area for sale in a store.



### COMPLETE KITS

71-7900	3FTPOGEN	36" Plan-o-gram - English
71-7901	3FTPOGFR	36" Plan-o-gram - French
71-7902	4FTPOGEN	48" Plan-o-gram - English
71-7903	4FTPOGFR	48" Plan-o-gram - French

### BULB & FIXTURE KIT ONLY

81-0826	90066KIT	36" LED Plan-o-gram
81-0827	90067KIT	48" LED Plan-o-gram

### MARKETING KIT ONLY

71-3530	90062	36" LED Marketing Kit, English
71-3531	90063	36" LED Marketing Kit, French
71-3532	90064	48" LED Marketing Kit, English
71-3533	90065	48" LED Marketing Kit, French

### HEADER ONLY

71-3535	90119	36" x 8" Arcon Header, English
71-3536	90120	36" x 8" Arcon Header, French
71-3537	90121	48" x 8" Arcon Header, English
71-3538	90122	48" x 8" Arcon Header, French

### LED Marketing kit includes:

- Poster
- Perforated backer
- Arcon Reference Guide
- Re-Order Part number Tags
- Fasteners (for pegboard)



### Plan-O-Gram order form

Simple order form makes ordering and restocking your display quick and easy.



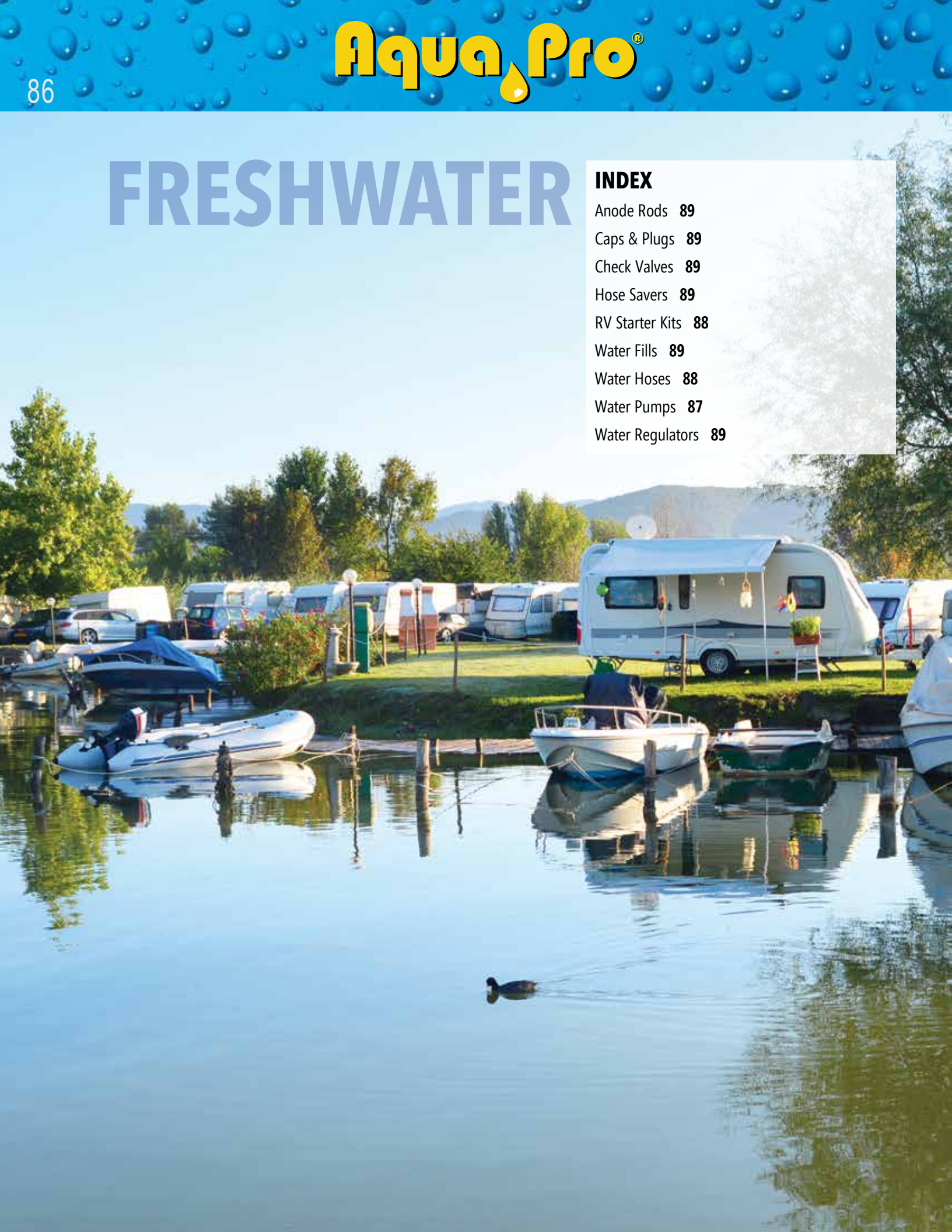
### Arcon Lighting Cross Reference Guide

Find the Arcon LED bulb number on the chart to review specifications and features, and to compare power usage.

# FRESHWATER

## INDEX

- Anode Rods 89
- Caps & Plugs 89
- Check Valves 89
- Hose Savers 89
- RV Starter Kits 88
- Water Fills 89
- Water Hoses 88
- Water Pumps 87
- Water Regulators 89



Powerful, on-demand, diaphragm pumps that respond smoothly to varying water flow demands. Compact but capable, they are a great fit for tight spaces. Equipped with 1/2" MNPS inlet and outlet fittings. Includes two 1/2" barbed adapters (to accommodate most OEM pump replacements) and a 50 mesh inlet strainer.



lead-free

## UNIVERSAL WATER PUMP 115V/3.0 GPM

### Features:

- Self-priming
- Run-dry safe
- Tested and guaranteed
- No surging; flows steadily
- Quiet operation
- Low power draw
- TRUE 3.0 GPM performance
- Corrosion-resistant valves
- Quick and easy installation
- Thermal breaker motor protection
- Built in check valve prevents back flow and allows for city water connection
- Rubber mounting base dampens vibration, and won't rust
- Safe for use with propylene glycol (RV non-toxic) antifreeze
- On-demand operation with variable flow technology
- Adjustable pressure switch (45 to 65 PSI)
- No accumulator tank necessary; less cycling
- Ideal for RVs, food trucks, park models and wash-down stations



Pre-wired with a 36" cord for plug-in installation

### Specs:

- Max flow: 3.0 GPM
- Electrical: 115V AC
- Inlet: 1/2" - 14 MNPS
- Outlet: 1/2" - 14 MNPS
- Pump weight (w/o strainer): 4.90 lbs.
- Shipping weight: 5.75 lbs.
- Pressure: 45 PSI
- Max amperage: 1.0 A
- 2 year limited warranty

01-5833 21855 Universal 115V/3.0 GPM Water Pump (AP3300)



## UNIVERSAL WATER PUMP 12V/3.0 GPM

### Features:

- Self-priming
- Run-dry safe
- Tested and guaranteed
- No surging; flows steadily
- Quiet operation
- Low power draw
- TRUE 3.0 GPM performance
- Corrosion resistant valves
- Thermal breaker motor protection
- Built in check valve prevents back flow and allows for city water connection
- Rubber mounting base dampens vibration, and won't rust
- Safe for use with propylene glycol (RV non-toxic) antifreeze
- On-demand operation with variable flow technology
- Adjustable pressure switch (45 to 65 PSI)
- No accumulator tank necessary; less cycling



### Specs:

- Max flow: 3.0 GPM
- Electrical: 12V DC
- Inlet: 1/2" - 14 MNPS
- Outlet: 1/2" - 14 MNPS
- Pump weight (w/o strainer): 4.35 lbs.
- Shipping weight: 5.15 lbs.
- Pressure: 55 PSI
- Max amperage: 8.5 A
- 2 year limited warranty

71-8551 21847 Universal 12V/3.0 GPM Water Pump (AP3000)  
 71-8552 21849 Universal 12V/3.0 GPM Water Pump (AP3000) / 6pk Bulk



## 50 MESH STRAINER

- Prevents debris and other particles from entering pump
- Screws directly to the pump head
- Transparent design for easy inspection



\*Barbed Hose Adapters

71-8553 21850 50 Mesh Strainer



## PREMIUM WATER HOSES

- Manufactured with NSF listed materials
- 120 PSI (5/8") - 160 PSI (1/2") working pressure
- High-flow fittings
- 10 year warranty

62-2470	W20869	1/2" x 15' Premium Water Hose
62-2466	W20863	1/2" x 25' Premium Water Hose
62-2467	W20865	1/2" x 50' Premium Water Hose
62-2468	W20866	5/8" x 25' Premium Water Hose
62-2469	W20867	5/8" x 50' Premium Water Hose



**Everything you need to get on the road to adventure!**



## STANDARD RV STARTER KIT

03-0491 27588 Starter Kit Box-Standard

### Standard kit includes:

One triangular adapter 30A F-15A M; one 3" hose clamp; one sewer hose straight adapter; one 3" x 10' standard sewer hose; two Walex Porta-Paks; one 1/2" x 15' water hose; one roll super soft tissue; and one large pair of nitrile gloves.



## DELUXE RV STARTER KIT

03-0627 27589 Starter Kit Box-Deluxe

### Deluxe kit includes:

One triangular adapter 30A F-15A M; one 3" hose clamp; one sewer hose straight adapter; one 3" x 10' standard sewer hose; two Walex Porta-Paks; one 1/2" x 25' water hose; one Aqua Pro standard water regulator; one multi-surface level; one roll super soft tissue; and one large pair of nitrile gloves.

## STANDARD WATER REGULATOR



- Protects your plumbing system from damage due to excessive water pressure
- Outlet pressure regulated at 40-50 PSI
- Rated for inlet pressure up to 150 PSI
- Made with non-toxic, food-grade materials; lead-free

71-8554	21851	Water Regulator, 1/Card
71-8555	21852	Water Regulator, 1/Box

## WATER HEATER ANODE RODS

- Significantly extends water heater tank life
- Attracts and protects tank from elements that cause corrosion
- Simple replacement for MPT drain plug
- Replace annually for best results



Magnesium Anode Rod for Suburban & Morflo Water Heaters, Lead-Free, 9-1/2" L, 3/4" MPT:

09-0007	69716	1/Card
09-0013	69717	Bulk

Magnesium Anode Rod for Atwood Water Heaters, Lead-Free, 4-1/2" L, 1/2" MPT:

09-0008	69718	1/Card
09-0012	69719	Bulk

## HOSE SAVERS



- Prevents hose kinks to ensure the free flow of water
- Pre-assembled EZ hose gripper
- Includes replaceable strainer
- Made with non-toxic, food-grade materials; lead-free

72-2648	21853	45° Hose Saver, 1/Card
72-2649	21854	90° Hose Saver, 1/Card

## CHECK VALVES



- Prevents back flow
- Replacement for Marshall Brass and Hydronamic Products
- Made with non-toxic, food-grade materials; lead-free
- Certified to IAPMO and NSF standards

10-0695	20809	Check Valve, 1/2" MxF, 1/Card
10-0700	20812	Check Valve, 1/2" MxF, Bulk
10-0702	20818	Check Valve, 1/2" MxM, 1/Card
10-0699	20810	Check Valve, 1/2" MxM, Bulk

## CAPS & PLUGS

- Keep dirt and debris out of water hoses or regulators
- Fits 3/4" garden hose



11-0507	27838	Plug and Strap, Bulk
11-0508	27839	Plug and Strap, 1/Card
11-0517	27917	Cap and Strap, 1/Card

## WATER FILLS



- Surface mount models are available in durable powder coated steel, white plastic and brushed aluminum, have a 3" outside diameter and require a 1-1/4" diameter cutout
- Recessed models available in durable powder coated steel, have a 4-1/2" outside diameter and require a 3-1/2" diameter cutout

Powder Coated Steel	Recessed Mounting Flange w/1/2" FPT:
10-0986	27882 Recessed Model, Colonial White, 1/Card
10-0691	27886 Recessed Model, Polar White, 1/Card

Brushed Aluminum	Surface Mounting Flange w/1/2" FPT:
10-0683	27884 Surface Mount Model, 1/Card

Powder Coated Steel	Surface Mounting Flange w/1/2" FPT:
10-0680	27883 Surface Mount Model, Polar White, Bulk
10-0677	27881 Surface Mount Model, Polar White, 1/Card

White Plastic	Surface Mounting Flange w/1/2" MPT:
10-0694	27895 Surface Mount Model, Polar White, Bulk
10-0693	27893 Surface Mount Model, Polar White, 1/Card

# SANITATION

## INDEX

Closet Flange Seal	93
Flanges	93
Hose Adapters	93
Hose Caps	93
Hose to Hose Coupler	93
Sewer Hose Bumper Plug	93
Sewer Hose Kits	91
Sewer Hose Support	92
Sewer Hoses	92
Sewer Ring	93
Toilet Tissue	93
Waste Valves	93



## NEW & IMPROVED RV SEWER HOSE KITS INCLUDE DRIP CAPS AND CLEAR ELBOW

### Hassle-Free Swivel Fittings. No Grease Required!

#### P15TL 15' EXO SEWER HOSE KIT



- Drip caps and clear elbow included
- Rugged 24mil hose, protected by 100mil polypropylene ribbing
- Swivel twist-lock fittings
- Outside beading takes abrasions; not the hose material
- Fittings are secured with adhesive to prevent leaks or loosening
- Hose holds its shape when positioned
- Pliable hose, recovers from being crushed

81-6637	21861	P15TL 15' Exo Sewer Hose kit 15' Fully Extended; Collapses to 53"
81-6638	21862	P20TL 20' Exo Sewer Hose kit Each of the two 10' hoses collapses to 38"

#### 20TL 20' VORTEX SEWER HOSE KIT

- Drip caps and clear elbow included
- Tough, 21mil polypropylene reinforced with durable wire ribbing
- Swivel twist-lock fittings
- Hose structured on the outside for a snug fit and to prevent obstructions
- Fittings are securely sealed to prevent leaks or loosening
- Hose holds its shape when positioned
- Firm hose, resists crushing



81-6635	21859	15TL 15' Vortex Sewer Hose kit 15' Fully Extended; Collapses to 57"
81-6636	21860	20TL 20' Vortex Sewer Hose kit Each of the two 10' hoses collapses to 39"

These kits are interchangeable and can easily be daisy chained. They will also interchange with most brands that use bayonet style connections.

Hoses will fit inside a 4" bumper. Limited 90 day warranty on all Hoses & Fittings.

## DRAIN HOSES

Duraflex drain hoses are rugged, and remain flexible in all weather conditions. They are easy to install, and come in a variety of lengths. All drain hoses have a 3" inside diameter and are easy to compress for storage.

### STANDARD



- 8-mil vinyl
- .0375" wire diameter
- 18 coils per foot



11-0455	24950	10' Drain Hose / Boxed
11-0456	24951	20' Drain Hose / Boxed
11-0449	24948	10' Drain Hose / Bagged
11-0454	24949	20' Drain Hose / Bagged

### HEAVY-DUTY



- 12-mil vinyl
- .0375" wire diameter
- 20 coils per foot



11-0457	24952	10' Drain Hose / Boxed
11-0493	28273	15' Drain Hose / Boxed
11-0533	24953	20' Drain Hose / Boxed

### DELUXE HEAVY-DUTY



- 16-mil vinyl
- .045" wire diameter
- 25 coils per foot



11-0458	24956	10' Drain Hose / Boxed
11-0459	24957	20' Drain Hose / Boxed

### PREMIUM HEAVY-DUTY



- 20-mil vinyl
- .054" wire diameter
- 30 coils per foot



11-0491	24958	10' Drain Hose / Boxed
11-0492	24959	20' Drain Hose / Boxed

## RV SEWER HOSE SUPPORT

- Elevates sewer hose
- Flexible, durable and sturdy
- Deep groove hose support
- Slopes for drainage
- Lightweight and easy to store
- Made of durable plastic
- Manufactured by LEVEL-TREK<sup>®</sup>



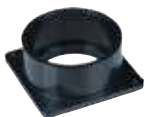
01-5819	21856	10' RV Sewer Hose Support
01-5820	21857	15' RV Sewer Hose Support
02-2214	21858	20' RV Sewer Hose Support



Hook and Loop Strap Included

## SEWER AND DRAIN FITTINGS

All Duraflex adapters, caps and fittings interchange with all industry standard fittings. Slip sockets and spigots have flanges that attach to drain valves. Bayonet end attaches 3" bayonet fittings to drain valves. Made of durable, UV-stabilized ABS.



### SLIP SOCKET FLANGES

11-0509	27899	3"
11-0510	27900	2"
11-0511	27901	1-1/2"



### SPIGOT FLANGES

11-0516	27905	3"
11-0514	27904	2"
11-0513	27903	1-1/2"



### BAYONET FLANGE

11-0512	27902	3"
---------	-------	----



### 3/4" HOSE CAP WITH STRAP

10-1233	20099	Bulk
---------	-------	------



### 45° HOSE ADAPTER

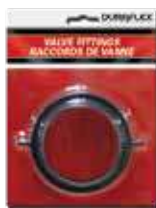
- 45° angle eliminates hose kinks.
- Clear adapter allows you to see when your tank is rinsed clean.

11-0506	27669	3" Hose x 3" Bayonet Hooks, Clear
---------	-------	--------------------------------------



### 45° ANGLED HOSE ADAPTER

11-0503	24653	3" Hose x 3" Bayonet Hooks, Carded
11-0499	24649	3" Hose x 3" Bayonet Hooks, Bulk



### 3" STRAIGHT HOSE ADAPTER

11-0504	24654	3" Hose x 3" Bayonet Hook, Carded
11-0500	24650	3" Hose x 3" Bayonet Hook, Bulk



### 3" TERMINATION CAP

11-0505	24656	w/Bayonet Hooks, Carded
11-0502	24652	w/Bayonet Hooks, Bulk



### 3" TERMINATION CAP W/ 3/4" HOSE THREAD CONNECTION

11-0534	24655	w/ Bayonet Hooks & Cap, Carded
11-0501	24651	w/ Bayonet Hooks & Cap, Bulk



### HOSE-TO-HOSE COUPLER

Couple 2 or more 3" sewer hoses together for extended reach.

11-0495	27906	3" Internal Coupler
---------	-------	---------------------



### SEWER RING Closed Cell Sponge Rubber

- Adapts fitting to sewer riser for a tight seal (In some areas.)

11-0494	21341	Sewer Ring
---------	-------	------------



### BASIC WASTE VALVES

- Threaded handle for easy replacement
- Stainless steel shafts
- Nitrile rubber seals for superior leak protection
- Plastic handles

11-0496	24646	1-1/2"
11-0497	24647	2"
11-0498	24648	3"



### CLOSET FLANGE SEAL Closed Cell Sponge Rubber

10-0709	20676	Closet Flange Seal, 9/16"
---------	-------	---------------------------



### RV AND MARINE TOILET TISSUE

- Soft, strong, absorbent and economical
- Facial quality tissue dissolves rapidly
- Flushes easily in all types of RV and marine toilets
- 2-ply tissue

13-1129	25965	4 Roll Pkg. (Case Qty - 6 Pkgs)
---------	-------	------------------------------------



### 4" SEWER HOSE BUMPER PLUG

11-0111	79403	Bumper Plug, 2/Card
11-0535	70406	Bumper Plug, 1/Bulk

Limited 90 day warranty

# SANITATION

**INDEX**

2 Wheel Portable Waste Transporters **95**

4 Wheel Portable Waste Transporters **95**

Portable Waste Transporter Display **96**

Replacement Parts **96**



## PORTABLE WASTE TRANSPORTERS

- Easy disposal of wastewater without having to break camp
- Low-profile design for easy storage
- Freshwater hose inlet for easy cleanup
- Blow-molded polyethylene construction is lightweight yet sturdy and won't rust or corrode
- Can be used with both grey and black water holding tanks
- All tanks come completely assembled
- Limited 3 year warranty

### 4-WHEEL TOTE-N-STORE® Available in 18, 25 & 38 gallon sizes

- Built-in storage compartment stocked with FREE accessories
- Integrated ventilation system allows fast and easy filling and draining
- Translucent sight tube shows fill level
- Smart design lets you drain without lifting, allows filling without bulging, and prevents handle from falling to the ground
- Rubber wheels make steering easy
- Extended tow handle prevents tank from hitting your heels

11-0246	20122	18 Gal.
11-0255	20123	25 Gal.
11-0266	20129	38 Gal.

### 2-WHEEL TOTE-N-STORE® Available in 11, 15, 25 & 32 gallon sizes

- Built-in storage compartment stocked with FREE accessories.\*
- Limited 1 year manufacturer's warranty

11-0223	25606	11 Gal.
*11-0225	25607	15 Gal.
*11-0234	25608	25 Gal.
*11-0235	25609	32 Gal.

The 4-wheel Tote-N-Stor let's you store your extra hookup fittings.



### CARRY TANK Available in 6 gallon size

Easy to carry, without wheels  
11-0226 25951 6 Gal.





## FREE ACCESSORIES KIT included with 4-wheel models



### KIT INCLUDES:

- (1) 3/4" x 15" greywater hose
- (2) 3" caps with 3/4" garden hose thread connection
- (1) 3" x 36" sewer drain hose
- (1) 3/4" garden hose cap and strap
- (2) 3" straight hose adapters
- (2) hose clamps

## FREE ACCESSORIES KIT included with 2-wheel 15, 25 & 32 gallon models



### KIT INCLUDES:

- (1) 3/4" x 15" greywater hose
- (1) 3" cap with 3/4" garden hose thread connection
- (1) 3" x 36" sewer drain hose
- (1) 3/4" garden hose cap and strap
- (1) 3" straight hose adapter
- (1) hose clamp
- (1) tow bracket

## DISPLAY

Header shows graphics for 2-wheel products on one side and 4-wheel products on the other side.

### DISPLAY HOLDS:

- (2) Two-wheel Tote-N-Stor® tanks
- (2) Four-wheel Tote-N-Stor® tanks

81-0871 90338 Tote-N-Stor® Display

### DISPLAY HEADER CARD

4 wheel side



2 wheel side



(Tanks sold separately)

### 2-WHEEL REPLACEMENT PARTS

11-0518	W013018	3/4" x 15" greywater hose
11-0542	20025	Towbar clamp
10-1233	20099	3/4" garden hose cap and strap
11-0504	24654	3" straight hose adapter
11-0534	24655	3" cap with 3/4" garden hose thread connection
11-0301	25644	Tow bracket
11-0236	27282	Accessory compartment replacement lid
11-0527	27283	2-wheel accessory kit
11-0237	27551	Tire, rear (1)
11-0702	28209	3" x 36" sewer drain hose

### 4-WHEEL REPLACEMENT PARTS

11-0518	W013018	3/4" x 15" greywater hose
11-0540	20015	Wheel, rear (1)
11-0546	20016	Wheel, front (1)
11-0548	20020	T-valve holder assembly
11-0541	20023	Axle, rear
11-0542	20025	Towbar clamp
11-0543	20036	Repl. handle 38 Gal.
11-0544	20037	Repl. handle 18 Gal.
11-0545	20038	Repl. handle 25 Gal.
11-0534	24655	3" cap with 3/4" garden hose thread connection
11-0547	20683	3" plain cap
10-1233	20099	3/4" garden hose cap and strap
11-0702	28209	3" x 36" sewer drain hose

# OUTDOOR LIVING

## INDEX

### Chairs

Bucket **104**

Director's **103-104**

Recliners **105-106**

Recliner Accessories **105-106**

Rocking **104**

Cooler, Folding **106**

Gas Grills **107**

Gas Grills Replacement Parts **107**

Lights, LED Decorative **98**

Mats, Multi-purpose **100-102**

Pedestal Bases **107**

Picnic Tables, Folding **99**

Portable Kitchen **107**

Screen Door Push Bar **99**

Utility Container, Collapsible **107**



## THEMED DECORATIVE LED LIGHTING

- Eye-catching designs add a festive look to your outdoor living space
- Bright, safe, and energy efficient LED rope lighting
- Constructed with quality steel and a UV-protected film for lasting vibrant color
- Collapsible, portable, and easy to store
- Easy assembly, no tools required
- Ground stakes included
- Safety tested and UL listed



**NEW  
PRODUCT**



### SPECS:

120V AC, 60Hz

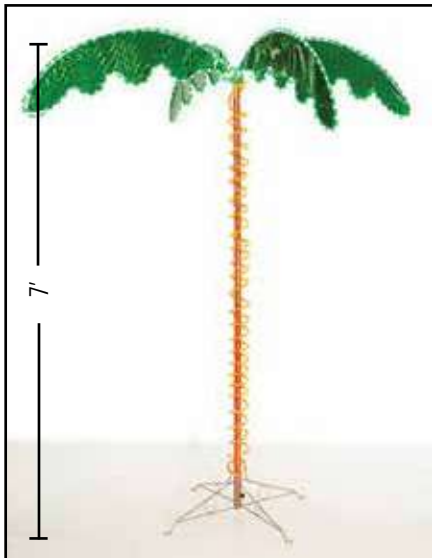
For use in dry exterior or interior spaces

Operating temperature range:  
-31° F (-35° C) to 120° F (49° C)

Use GFCI protected outlets and outdoor use extension cords

Replacement fuse (included): 8A, 125V

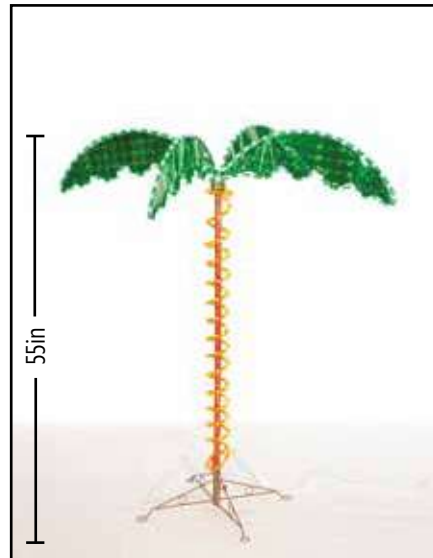
1 year warranty



### 7' LED ROPE LIGHT PALM TREE

Dimensions: 7' H x 6' W

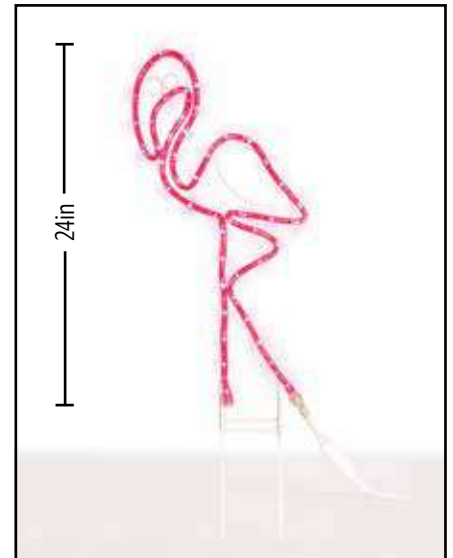
55-5043 20522 7' LED Rope Light Palm Tree



### 4.5' LED ROPE LIGHT PALM TREE

Dimensions: 55in H x 51in W

55-5042 20521 4.5' LED Rope Light Palm Tree



### 2' LED ROPE LIGHT FLAMINGO

Dimensions: 24in H x 12in W

55-5041 20520 2' LED Rope Light Flamingo



## SCREEN DOOR PUSH BARS

- Extends the life of your screen
- Durable, lightweight aluminum and ABS construction
- Comfortable, UV-resistant handle
- Easy to assemble and mount; hardware included
- Adjusts to fit your door size

Expanded: 28-3/4" L x 1-3/8" W x 1-7/8" D

Retracted: 21" L x 1-3/8" W x 1-7/8" D

Standoff Spacing from Door: 15/16" (inside dim);  
1-7/8" (outside dim)



### ALUMINUM WITH WHITE HANDLE

18-2703 400000 Push Bar with White Handle



### ALUMINUM WITH BLACK HANDLE

18-2704 400001 Push Bar with Black Handle

## FOLDING PICNIC TABLES

- Durable and weather-resistant, UV-protected, white polyethylene
- Easy to clean and maintain; stain-resistant
- Lightweight, strong, and rust-resistant steel folding frame



### FOLDING PICNIC TABLE & 2 BENCHES

- Compact outdoor set that folds down with benches that nest for convenient stowing
- Table dimensions: 44-1/2" x 27-1/8" by 28-3/4" high
- Bench dimensions: 37-3/4" x 9" by 16-1/2" high
- Table weight capacity: 220 lbs.
- Bench weight capacity: 440 lbs.

03-8104 69863 Folding Picnic Table and 2 Benches



### 6FT. FOLDING TABLE

- For maximum stowing efficiency, legs fold down, then table folds in half to achieve an ultra-compact size
- Rectangular table opens to 71-5/8" x 29-1/2" x 29-1/2" high
- Folds to 36" x 24-1/2" x 3-1/4"
- Table weight capacity: 330 lbs.

03-8105 69864 6' Folding Table



### 4FT. FOLDING TABLE

- For maximum stowing efficiency, legs fold down, then table folds in half to achieve an ultra-compact size
- Rectangular table opens to 48-3/8" x 24-1/2" x 29-1/2" high
- Folds to 24-3/8" x 24" x 3-3/16"
- Table weight capacity: 220 lbs.

03-8103 69873 4' Folding Table

## DELUXE MULTI-PURPOSE MATS

• Ideal for camping, tailgating, boating and hunting • Lightweight, 100% polypropylene • UV, mold and mildew resistant • Easy to clean • Reverse pattern on opposite side • Built-in corner tie-downs for staking • Carry bag & corner stakes included



**BEACH**

01-5822 53000 9'x12'



**PALM TREES**

01-5823 53001 9'x18'



**DEER**

01-5824 53002 9'x12'



**CAMPING**

01-5825 53004 9'x12'



**CAMPING**

01-5826 53005 9'x18'



**HORSES**

01-5827 53006 9'x12'



**SWISH - Blue/Grey**

01-5828 53007 9'x12' (shown)  
01-5830 53009 9'x18'



**SWISH - Black/Grey**

01-5829 53008 9'x12' (shown)  
01-5832 53011 9'x18'



**SWISH - Brown/Beige**

01-5831 53010 9'x18'



**GRAPHIC - Black/Grey**

01-5807 53012 9'x12'  
01-5811 53016 8'x16'  
01-5815 53020 8'x20' (shown)



**GRAPHIC - Blue/Grey**

01-5808 53013 9'x12'  
01-5812 53017 8'x16'  
01-5816 53021 8'x20' (shown)



**GRAPHIC - Burgundy/Grey**

01-5809 53014 9'x12'  
01-5813 53018 8'x16'  
01-5817 53022 8'x20' (shown)



**GRAPHIC - Brown/Beige**

01-5810 53015 9'x12'  
01-5814 53019 8'x16'  
01-5818 53023 8'x20' (shown)

## DELUXE MULTI-PURPOSE MATS

- Ideal for camping, tailgating and boating • Lightweight, 100% polypropylene • UV, mold and mildew resistant • Easy to clean
- Reverse pattern on opposite side • Built-in corner tie-downs for staking



**STRIPED - Aqua/Navvy/Lime/White\***

01-1037 68678 9'x12'  
01-1038 68679 8'x20'

\*Same pattern on both sides



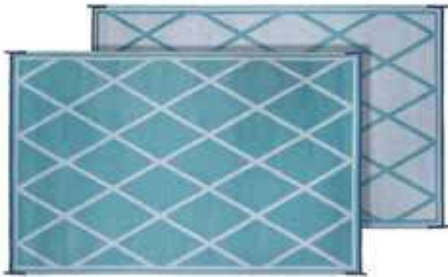
**STRIPED - Navy/White/Lime/Beige\***

01-1040 68790 9'x12'  
01-1041 68800 8'x20'



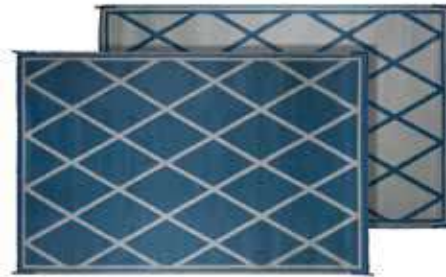
**STRIPED - Blue/Brick/Beige/Green\***

01-1042 68841 36"x 68"  
01-1043 68845 9'x12'  
01-1044 68847 8'x20'



**DIAMOND - Turquoise/White**

01-1190 68901 36"x 68"  
01-1191 68902 9'x12'  
01-1193 68903 8'x20'



**DIAMOND - Blue/Ivory**

01-1195 68912 9'x12'  
01-1196 68919 8'x20'



**DIAMOND - Black/Beige**

01-1188 68888 9'x12'  
01-1189 68900 8'x20'



**SWIRL - Black/Beige**

01-1198 68946 9'x12'  
01-1070 69098 8'x20'



**SWIRL - Brown/Beige**

01-1045 68859 36"x 68"  
01-1056 68860 9'x12'  
01-1057 68862 8'x20'



**STARS 'N STRIPES**

01-1054 68865 36"x 68"  
01-1055 68872 9'x12'  
01-1186 68877 8'x20'



**CARIBBEAN - Paradise Blue**

01-0716 48896 9'x12'  
01-0717 48932 9'x18'



**CARIBBEAN - Sahara Brown**

01-0721 48933 9'x12'  
01-0722 48934 9'x18'



**CARIBBEAN - Island Time**

01-0723 48935 9'x12'  
01-0724 48942 9'x18'

## DELUXE MULTI-PURPOSE MATS

- Ideal for camping, tailgating and boating • Lightweight, 100% polypropylene • UV, mold and mildew resistant • Easy to clean
- Reverse pattern on opposite side • Built-in corner tie-downs for staking



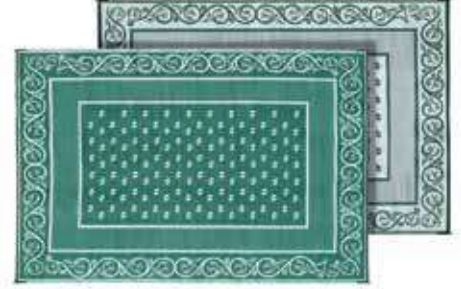
### VINEYARD - Beige

01-0638	48824	36"x 68"
01-0086	48695	6'x9'
01-0289	48700	9'x12'
01-0639	49599	8'x16'
01-0307	48703	8'x20'



### VINEYARD - Blue

01-0686	48698	6' x 9'
01-0687	48701	9'x12'
01-0308	48704	8'x20'



### VINEYARD - Green

01-0286	48699	6' x 9'
01-0300	48702	9'x12'
01-0309	48705	8'x20'



### SUMMER WAVES - Green/Blue

01-0647	45637	8'x16'
01-0649	46294	8'x20'



### SUMMER WAVES - Tan/Gold

01-0070	45638	8'x16'
01-0678	46322	8'x20'



### SUMMER WAVES - Black

01-0648	46258	8'x16'
01-0679	46341	8'x20'



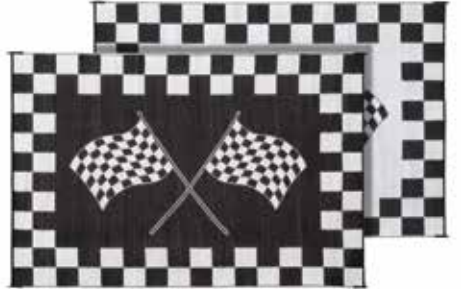
### MIRAGE - Silver/Gold

01-0071	46354	8'x16'
01-0073	46362	8'x20'



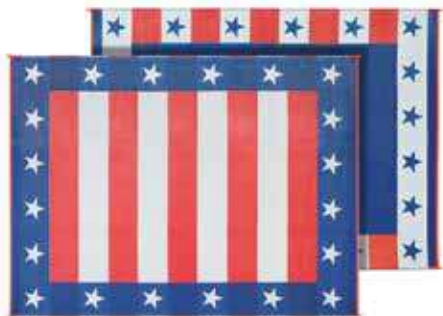
### MIRAGE - Burgundy

01-0072	46361	8'x16'
01-0682	46363	8'x20'



### FINISH LINE

01-0635	48823	36"x 68"
01-0448	48707	6'x9'
01-0495	48708	9'x12'
01-0551	48709	8'x20'



### INDEPENDENCE DAY

01-0643	49601	36"x 68"
01-0075	46503	9'x12'
01-0641	49600	8'x16'
01-0074	46502	8'x20'

## MAT CARRY BAG

- Durable, water-resistant black nylon material
- Extra internal compartment for accessories 13"H x 6.75"W x 2.75"D
- Secured with Hook and Loop strap
- Adjustable shoulder strap for easy carrying
- Room for multiple mats inside
- Bag Dimensions (inside dims): 14"H x 37.75"W x 7"D

01-0000 48829 Carry Bag





### COMPACT DIRECTOR'S CHAIR

- Quick and easy to set up, fold, and carry
- Includes side table with built-in cup holder and side pouch for storage
- Stain-resistant, easy-to-clean fabric
- 300 lb. capacity
- Open: 34.25" D x 20.47" W x 18.11" H
- Folded: 20.87" D x 5.90" W x 18.90" H

03-2139 52284 Black



Folds to compact size for easy carrying or storage



### DIRECTOR'S CHAIRS

- Includes side table with built-in cup holder
- Side pouch holds accessories, like cell phones, bottles, or remotes
- Sturdy 1-1/8" tubing & UV-resistant polyester
- 300 lb. capacity
- 17.75" D x 23.5" W x 33.5" H

03-0473 48870 Green  
 03-0475 48871 Black  
 03-0480 48872 Blue  
 03-2143 52283 Burgundy  
 03-1980 49480 Repl. Foot pads (4)



### EL CAPITAN DIRECTOR'S CHAIRS

- Built-in insulated cooler holds up to 12 cans; cooler measures 14" D x 9.8" W x 5.5" H
- Includes side table with built-in cup holder
- Stain resistant; easy-to-clean 600D polyester fabric
- 300 lb. capacity
- Open: 37.8" D x 43.7" W x 21.7" H
- Folded: 35.4" D x 5.9" W x 21.7" H

03-0313 49580 Black/Black  
 03-0318 49581 Blue/Black  
 03-0325 49582 Burgundy/Black  
 03-2142 52287 Green/Black  
 03-2307 69230 Dk Blue/Lt Green



## DELUXE DIRECTOR'S CHAIRS

- Lightweight and sturdy 1-5/8" W aluminum tube frame construction
- Convenient built-in carrying handles
- Comfortable padded and contoured armrests
- UV-resistant polyester fabric with breathable mesh panel
- 250 lb. capacity
- 1.5" D x 24.5" W x 35.5" H

03-0622	43946	Green
03-0488	43947	Blue
03-0487	43948	Black
03-1979	44019	Repl. Foot pads (4)



## DAKOTA ROCKING CHAIRS

- Quick and easy to set up, fold, and carry
- Comfortable padding and backrest
- Side pouch holds accessories, like cell phones, bottles, or remotes
- Sturdy steel tubing and 600D polyester fabric
- 300 lb. capacity
- Open: 42.1" D x 24" W x 35.8" H
- Folded: 47.2" D x 24" W x 6.9" H

03-0331	49596	Burgundy/Black
03-0332	49597	Black/Black
03-0334	49598	Blue/Black

## BIG DOG BUCKET CHAIRS

- Quick and easy to set up
- Comfortable padding and backrest
- Includes convenient built-in carrying bag with shoulder strap
- 300 lb. capacity
- Open: 29.5" D x 33.375" W x 37.5" H
- Folded: 10.5" D x 11" W x 40.875" H

03-0297	49570	Black/Black
03-0298	49575	Blue/Black
03-0299	49579	Burg/Black
03-2141	52286	Green/Black
03-2140	52285	Camo



## MALIBU RECLINERS - LIMITED QUANTITIES AVAILABLE

- Bungee cord system provided relaxing flexible support
- Easy-to-use lever lock system lets you select your favorite reclining position
- Nylon mesh recliners let air circulate
- Lightweight yet sturdy powder coated steel frame
- Folds up compactly
- 300 lb. capacity



03-2163	52299	Tan Mesh
03-2164	52300	Tan Mesh XL
03-0413	48962	Black Mesh
03-0437	48972	Black Mesh XL
03-0421	48964	Padded Blue
03-0446	48974	Padded Blue XL
03-0417	48963	Padded Black
03-0441	48973	Padded Black XL

03-0405	48969	Padded Checkered
03-0424	48965	Padded Green
03-0447	48975	Padded Green XL
03-2155	52291	Padded Fuchsia
03-2156	52292	Padded Fuchsia XL



## SANTA MONICA RECLINERS

- Heavy-duty aluminum frame with breathable 3D mesh back and seat
- Bungee cord system provided relaxing flexible support
- Easy-to-use lever lock system lets you select your favorite reclining position
- Adjustable headrest can be moved for lumbar support
- Built-in slide out table

03-2154	52290	Platinum XL
---------	-------	-------------

## RECLINER CARRYING BAG

- Carry and protect all Faulkner recliners from scratches, dirt, water, and grease
- Made with tough, vinyl-coated polyester with reinforced shoulder strap
- Vented design prevents mold and mildew

03-0472	43951	Recliner Bag, Black
---------	-------	---------------------



## LAGUNA RECLINERS - LIMITED QUANTITIES AVAILABLE

- Bungee cord system provided relaxing flexible support
- Contoured armrests follow every move of the seat
- Easy-to-use lever lock system lets you select your favorite reclining position
- High density foam covered seat and poly-cotton fabric accented with black
- Lightweight yet sturdy powder coated steel frame
- Removable headrest
- 300 lb. capacity



03-0422	48966	Green/Black	03-0426	48968	Blue/Black
03-0453	48976	Green/Black XL	03-0469	48978	Blue/Black XL
03-0423	48967	Red/Black	03-2158	52294	Gray/Black
03-0454	48977	Red/Black XL	03-2157	52293	Gray/Black XL

## RECLINER SERVING TRAY



- Swivels and rotates to any position
- Fits Faulkner recliners and other branded recliners with rounded legs
- Easy to assemble
- 5 lb. capacity

03-0363 48945 Serving Tray, Black

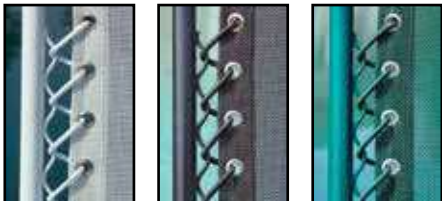
## OASIS FOLDING COOLER

- Keeps your beverages cold
- Features large zipper top and Hook and Loop lid for easy access
- Removable washable liner
- Folds down to compact size

03-0285 49569 Soft Cooler



## REPLACEMENT LACING



- Replace lacing in Faulkner chairs every 2 years for ensured comfort
- Includes 4 pieces: 2 for leg rest area and 2 for backrest area
- Fits all Faulkner recliners and most other brands

03-0603	48529	White
03-0619	48531	Black
03-0620	48532	Green

## GAS GRILLS

- Stainless steel grilling surfaces
- Works with disposable propane bottles, a portable tank, or your RV's propane supply
- Drip tray
- Thermometers
- Locking top
- Portable stand
- All models stand 22" tall
- CSA approved and UL listed within North America



52301



52302



## DELUXE GAS GRILLS

- Main Grill: 20.35" x 12.2"
- Upper Rack: 14.7" x 4.57"

06-0716	52301	Black Grill	w/ Adapter (for disposable LP bottles)
06-0717	52302	Stainless Grill	w/ Adapter (for disposable LP bottles)



51322



51323

## STANDARD GAS GRILLS

- Main Grill: 16.7" x 13.4"
- Upper Rack: 11.8" x 5.9"

06-0029	51307	Black Grill
06-0027	51322	Black Grill w/ Adapter (for disposable LP bottles)
06-0028	51323	Stainless Grill w/ Adapter (for disposable LP bottles)

## REPLACEMENT PARTS

06-0559	51856	Grill Grate (for use with Standard Gas Grills)
06-0560	51938	Gas Valve
06-0563	51939	Thermometer
06-0571	51940	Handle (for use with Standard Gas Grills)
06-0572	51941	Knob
06-0575	51942	Igniter
06-0446	51324	Disposable Bottle Adapter

## CAMP CUISINE PORTABLE KITCHEN

Take your kitchen supplies with you

- Aluminum top panel
- Wind deflector for your camp stove
- Three shelves
- Zipper doors
- Open: 22" D x 35" W x 32.2" H
- Folded: 22" D x 37.4" W x 5.1" H

03-0329	49583	Portable kitchen
---------	-------	------------------



## COLLAPSIBLE UTILITY CONTAINER

- Expands to 24" high and collapses to 2" high
- Polyethylene fabric container with zipper top lid and carry handles
- Spiral rib support extends and holds container to full height and adds wall support and strength
- Includes 1 plastic ground stake and storage bag
- Holds 33 gallon leaf and lawn bags

72-6225	45640	Utility Container
---------	-------	-------------------



## HEAVY-DUTY PEDESTAL BASES

- Stabilize table legs and stop pedestal wobble
- Bright aluminum finish



72-6194	48731	Surface Mount Base, Round, 7-1/2" Dia.
---------	-------	--



72-6195	48732	Flush Mount Base, Round, Recessed, 6-1/4" Dia., Hole Insert is 2.2" Dia., 2" Deep
---------	-------	---



72-6196	48733	Flush Mount Base, Square 5-15/16" x 5-15/16" Recessed
---------	-------	---

# VENTILATION ACCESSORIES

## INDEX

- Fan Blades **109**
- Gaskets, Air Conditioner **110**
- Insect Screens **112-113**
- Vent Covers **109**
- Vent Insulator **110**
- Vent Lids
  - Display **109**
  - Refrigerator **111**
  - Replacement **110**

## Reference

- Insect Screens Reference Chart **114-115**



## FAN BLADES

Impact resistant, plastic 6" white fan blades fit 12V powered roof vents and range hoods. Direction of spin is determined by looking down through the motor at the top of blade. CW=clockwise; CCW=counter clockwise.



- 22-0343 65483 Ventline, 1/8" Round-Bore, CCW
- 47-0002 65484 Ventline & Jensen 1/8" D-bore, CW
- 47-0003 65485 Ventline & Jensen 1/8" D-bore, CCW
- 47-0004 65491 Ventline 3/32" Round-bore, CCW

## VENT COVERS

Lets fresh air circulate while keeping the weather out! Aerodynamic design lets you keep the vents open even when it is raining. Includes installation hardware and a rubber roof vent kit\*, which means there is no need to remove existing vent mounting screws or drill holes.



22-0223 67310 Vent Cover, White



22-0224 67313 Vent Cover, Black

### \*RUBBER ROOF VENT MOUNTING KIT



13-0635 65213 Rubber Roof Mtg. Kit

## VENTMATE POINT-OF-PURCHASE SIGNAGE

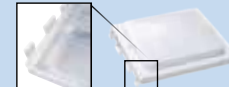


FITS: Pre-1995 Elxir Vents



61634 White Assembled (Box)  
63116 White Unassembled (Bag)  
63118 Smoke Unassembled (Bag)

FITS: Pre-1995 Jensen Vents  
Pre-1995 Heng's Vents



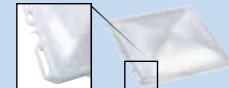
61628 White Assembled (Box)  
63110 White Unassembled (Bag)  
63112 Smoke Unassembled (Bag)

FITS: All Ventline Vents  
1995 + Elxir Vents  
1995 + Heng's Universal Vents



61020 White Assembled (Box) Lifetime Warranty  
65479 White Assembled (Bag)  
62770 White Unassembled (Bag)  
62772 Smoke Unassembled (Bag)  
61255 Low Profile White Assembled (Box)  
63113 Low Profile White Unassembled (Bag)  
63115 Low Profile Smoke Unassembled (Bag)

FITS: 1995 + Jensen Vents  
1995 + Heng's Vents



69284 White Assembled (Box)  
69282 White Unassembled (Bag)  
69283 Smoke Unassembled (Bag)

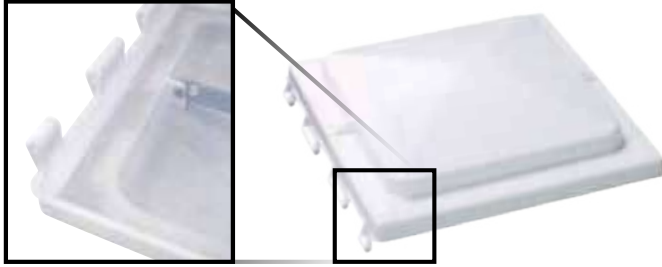
- Full color printed on durable 1/8" Sintra PVC
- Display cards are laminated to protect against surface damage and increase longevity
- Well organized and illustrated, to facilitate easy selection of the correct replacement lid
- Vertical card hang holes are positioned to align with standard peg board (Pegboard and shelving not included.)

VENTPOP Ventmate Horizontal Header Card (46" x 12") and Vertical Replacement Vent Lid Display card (12" x 36")



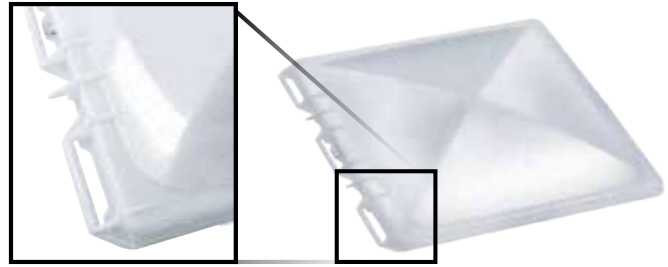
## REPLACEMENT VENT LIDS FOR 14" x 14" VENTS

**FITS:**  
**Pre-1995 Jensen Vents**  
**Heng's Pre-1995 Jensen Style Vents**



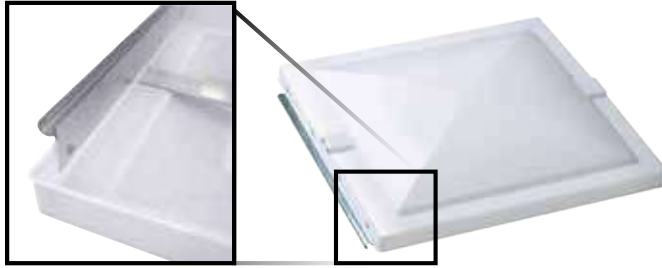
22-0150	61628	White	Assembled (Box)
22-0342	63110	White	Unassembled (Bag)
22-0162	63112	Smoke	Unassembled (Bag)

**FITS:**  
**1995+ Jensen Vents**  
**Heng's 1995+ Jensen Style Vents**



22-0244	69284	White	Assembled (Box)
22-0242	69282	White	Unassembled (Bag)
22-0243	69283	Smoke	Unassembled (Bag)

**FITS:**  
**Pre-1995 Elixir Vents**



22-0151	61634	White	Assembled (Box)
22-0215	63116	White	Unassembled (Bag)
22-0217	63118	Smoke	Unassembled (Bag)

**FITS:**  
**All Ventline Vents**  
**1995+ Elixir Vents**  
**1995+ Heng's Universal Vents**



22-0221	69280	White	Assembled (Box)
22-0218	65479	White	Assembled (Box) Lifetime Warranty
22-0219	69278	White	Unassembled (Bag)
22-0220	69279	Smoke	Unassembled (Bag)
22-0139	61255	Low Profile	White, Assembled (Box)
22-0187	63113	Low Profile	White, Unassembled (Bag)
22-0214	63115	Low Profile	Smoke, Unassembled (Bag)

## VENT INSULATOR



Fits standard 14" x 14" vent openings



- Easy pull strap
- Improves A/C efficiency
- Keeps heat inside during winter and keeps heat and sun out during the summer
- Easily removable cover for easy cleaning

01-0646	67304	Vent Insulator With Pull Strap
---------	-------	--------------------------------

## AIR CONDITIONER GASKETS



62901



65526



65527

- For a perfect air conditioner installation
- Corners are pre-sealed for water tight integrity

### Air Conditioner Gasket

08-0060	62901	A/C Seal 14" x 14"
---------	-------	--------------------

### Gasket Kits for Coleman A/Cs

08-0062	65526	A/C Gasket Kit 14" x 14"
08-0063	65527	A/C Gasket Kit 14" x 16"

## REFRIGERATOR VENT LIDS

- Made of high-impact plastic
- UV-stabilized for long life
- Works with most Norcold™ and Dometic™ lids, bases, and refrigerator cutouts

### REFRIGERATOR VENT LIDS, WHITE



22-0234 65528 Refrigerator Vent Lid, New Style Dometic



22-0239 65529 Refrigerator Vent Lid, Old Style Dometic



22-0240 65532 Refrigerator Vent Lid, Norcold

### REFRIGERATOR VENT LIDS, BLACK



22-0227 62712 Refrigerator Vent Lid, New Style Dometic



22-0228 62718 Refrigerator Vent Lid, Norcold

## UNIVERSAL REFRIGERATOR VENT LIDS & BASES

- Replacement lids and bases for refrigerator vents
- Screws and alignment tools\* are included for easy installation

### LID & BASE, POLAR WHITE\*

71-7930 68290 Universal Refrigerator Lid w/screws.

71-7931 68291 Universal Refrigerator Base w/screws.



### LID & BASE, BLACK\*

71-7932 68292 Universal Refrigerator Lid w/screws.

71-7933 68294 Universal Refrigerator Base w/screws.





## INSECT SCREENS

- Ventmate® insect screens prevent insects, mice, and other pests from entering and nesting inside your vented appliances while maintaining maximum airflow
- Unique silicone rubber mount edging provides scratch-free application\*
- Easy-grip tool with crossbar locator enables fast and easy spring installation\*
- Chrome-finished wire ties look great and are long lasting\*
- Protects children and pets from hot vent exposure
- Limited 1 year warranty protection against defects in material and workmanship



VNT-R600  
and VNT-R600A  
screens installed



VNT-F600 screen  
installed

**Safeguard your RV Appliances  
with Ventmate Insect Screens**



### VNT-F100 (Furnace Vent)

Dimensions: 7-9/16"W x 4-1/8"H x 1-3/8"D  
Use: Coleman, Hydro Flame, Sol-Aire, Suburban  
Includes: (1) Screen, (2) 1" Springs, Installation Tool  
71-7487 68297 VNT-F100



### VNT-F200 (Furnace Vent)

Dimensions: 2-7/8" Diameter x 1-3/16"D  
Use: Duo-Therm (65900 Series), Suburban  
Includes: (1) Screen, (2) 1" Springs, Installation Tool  
71-7493 68325 VNT-F200



### VNT-F300 (Furnace Vent)

Dimensions: 4-7/8"W x 4-1/2"H x 1-1/8"D  
Use: Hydro Flame 8500, 8900  
Includes: (1) Screen  
71-7489 68304 VNT-F300



### VNT-F400 (Furnace Vent)

Dimensions: 6-1/8" Diameter x 1-1/2"D  
Use: Suburban DD  
Includes: (1) Screen, (1) 1" Spring, Installation Tool  
71-7490 68307 VNT-F400



### VNT-F500 (Furnace Vent)

Dimensions: 3-7/8" Diameter x 1-1/4"D  
Use: Atwood 2004, Hydro Flame  
Includes: (1) Screen, (2) 1" Springs, Installation Tool  
71-7488 68302 VNT-F500



### VNT-F600 (Furnace Vent)

Dimensions: 6-7/8"W x 5-1/8"H x 2-3/8"D  
Use: Atwood AFMD, Dometic  
Includes: (1) Screen, (1) 1" Spring, (1) 1-3/4" Spring,  
Installation Tool  
71-7502 68660 VNT-F600

\*Application specific as indicated in screen descriptions



**VNT-P100 (Plumbing Vent)**

Dimensions: 2-1/2" Diameter  
 Use: Camco, Bristol, & Heng's Industries circular plumbing vents  
 Includes: (2) Screens  
 71-7499 68480 VNT-P100



**VNT-R500 (Refrigerator Vent)**

Dimensions: 19-5/8"W x 1-1/4"D  
 Use: Norcold  
 Includes: (3) Screens, 6 Chrome Wire Ties  
 71-7497 68393 VNT-R500



**VNT-R600 (Refrigerator Vent)**

Dimensions: 20"W x 1-1/2"D  
 Use: Dometic  
 Includes: (3) Screens, 6 Chrome Wire Ties  
 71-7496 68339 VNT-R600



**VNT-R600A (Refrigerator Vent)**

Dimensions: 2-5/8"W x 1-5/8"D  
 Use: Dometic  
 Includes: (3) Screens, 3 Chrome Wire Ties  
 71-7503 68671 VNT-R600A



**VNT-R700 (Refrigerator Vent)**

Dimensions: 27-1/2"W x 1-1/4"D  
 Use: Norcold  
 Includes: (3) Screens, 6 Chrome Wire Ties  
 71-7501 68585 VNT-R700



**VNT-R800 (Refrigerator Vent)**

Dimensions: 8"W x 1-1/2"D  
 Use: Dometic  
 Includes: (6) Screens, 12 Chrome Wire Ties  
 71-7498 68401 VNT-R800



**VNT-S500 (Stove Vent)**

Dimensions: 11"W x 4-1/4"H x 1-3/8"D  
 Use: Atwood, Magic Chef, Suburban, Wedgewood  
 Includes: (1) Screen, (2) 1" Springs, Installation Tool  
 71-7500 68581 VNT-S500



**VNT-W200 (Water Heater Vent)**

Dimensions: 4-1/2"W x 4-1/2"H x 1-1/4"D  
 Use: Suburban water heaters 6, 10, 12 & 16 gal with 4" louvers, 4" battery vents, Suburban furnace vents 8525, 8531, 8535, 8940 AC & 8940 DC  
 Includes: (1) Screen, (2) 1" Springs, Installation Tool  
 71-7494 68327 VNT-W200



**VNT-W400 (Water Heater Vent)**

Dimensions: 6-3/4"W x 6-3/4"H x 1-1/2"D  
 Use: Suburban 6gal  
 Includes: (1) Screen, (2) 1" Springs, Installation Tool  
 71-7492 68322 VNT-W400



**VNT-W500 (Water Heater Vent)**

Dimensions: 8-1/2"W x 5-7/8"H x 1-3/8"D  
 Use: Atwood/Dometic 6 & 10gal, Suburban 6gal  
 Includes: (1) Screen, (2) 1" Springs, Installation Tool  
 71-7495 68335 VNT-W500



**VNT-W600 (Water Heater Vent)**

Dimensions: 9-3/4"W x 7-1/2"H x 1-1/2"D  
 Use: Suburban 10, 12 & 16gal  
 Includes: (1) Screen, (2) 1" Springs, Installation Tool  
 71-7491 68309 VNT-W600



**Deluxe Tool Kit**

Deluxe installation kit to upgrade existing screens, of any brand, to have new springs and the rubber edging.  
 Includes: Installation Tool, (2) 1" Springs, (1) 1-3/4" Spring, 34" length of Silicone Rubber Edging  
 71-7505 68673 Deluxe Tool Kit



### VENTMATE APPLIANCE INSECT SCREEN DIRECTORY

Screen Model #	Part #	NTP STAG #	Appliance	Use	Dimensions	Material	Includes
VNT-F100	68297	71-7487	Furnace	Coleman, Hydro Flame, Sol-Aire, Suburban	7-9/16"W x 4-1/8"H x 1-3/8"D	Stainless Steel & Silicone Rubber	(1) Screen, (2) 1" Springs, (1) Installation Tool
VNT-F200	68325	71-7493	Furnace	Duo-Therm (65900 Series), Suburban	2-7/8" Diameter x 1-3/16"D	Stainless Steel & Silicone Rubber	(2) Screens, (2) 1" Springs, (1) Installation Tool
VNT-F300	68304	71-7489	Furnace	Hydro Flame 8500, 8900	4-7/8"W x 4-1/2"H x 1-1/8"D	Stainless Steel	(1) Screen
VNT-F400	68307	71-7490	Furnace	Suburban DD	6-1/8" Diameter x 1-1/2"D	Stainless Steel & Silicone Rubber	(1) Screen, (1) 1" Spring, (1) Installation Tool
VNT-F500	68302	71-7488	Furnace	Atwood 2004, Hydro Flame	3-7/8" Diameter x 1-1/4"D	Stainless Steel & Silicone Rubber	(1) Screen, (2) 1" Springs, (1) Installation Tool
VNT-F600	68660	71-7502	Furnace	Atwood AFMD, Dometic	6-7/8"W x 5-1/8"H x 2-3/8"D	Stainless Steel & Silicone Rubber	(1) Screen, (1) 1-3/4" Spring, (1) 1" Spring, (1) Installation Tool
VNT-P100	68480	71-7499	Plumbing Vent	Camco, Bristol, & Heng's Industries circular plumbing vents	2-1/2" Diameter	Stainless Steel	(2) Screens
VNT-R500	68393	71-7497	Refrigerator	Norcold	19-5/8"W x 1-1/4"D	Stainless Steel	(3) Screens, 6 Chrome Wire Ties
VNT-R600	68339	71-7496	Refrigerator	Dometic	20"W x 1-1/2"D	Stainless Steel	(3) Screens, 6 Chrome Wire Ties
VNT-R600A	68671	71-7503	Refrigerator	Dometic	2-5/8"W x 1-5/8"D	Stainless Steel	(3) Screens, 3 Chrome Wire Ties
VNT-R700	68585	71-7501	Refrigerator	Norcold	27-1/2"W x 1-1/4"D	Stainless Steel	(3) Screens, 6 Chrome Wire Ties
VNT-R800	68401	71-7498	Refrigerator	Dometic	8"W x 1-1/2"D	Stainless Steel	(6) Screens, 12 Chrome Wire Ties
VNT-S500	68581	71-7500	Stove	Atwood, Magic Chef, Suburban, Wedgewood	11"W x 4-1/4"H x 1-3/8"D	Stainless Steel & Silicone Rubber	(1) Screen, (2) 1" Springs, (1) Installation Tool
VNT-W200	68327	71-7494	Water Heater	Suburban water heaters 6, 10, 12 and 16gal with 4" louvers, 4" battery vents, Suburban furnace vents 8525, 8531, 8535, 8940 AC & 8940 DC	4-1/2"W x 4-1/2"H x 1-1/4"D	Stainless Steel & Silicone Rubber	(1) Screen, (2) 1" Springs, (1) Installation Tool
VNT-W400	68322	71-7492	Water Heater	Suburban 6gal	6-3/4"W x 6-3/4"H x 1-1/2"D	Stainless Steel & Silicone Rubber	(1) Screen, (2) 1" Springs, (1) Installation Tool
VNT-W500	68335	71-7495	Water Heater	Atwood/Dometic 6 & 10gal, Suburban 6gal	8-1/2"W x 5-7/8"H x 1-3/8"D	Stainless Steel & Silicone Rubber	(1) Screen, (2) 1" Springs, (1) Installation Tool
VNT-W600	68309	71-7491	Water Heater	Suburban 10, 12 & 16gal	9-3/4"W x 7-1/2"H x 1-1/2"D	Stainless Steel & Silicone Rubber	(1) Screen, (2) 1" Springs, (1) Installation Tool



### VENTMATE SCREENS REPLACE

VENTMATE			CAMCO			JCJ		ULTRA-FAB		VALTERRA		ALEKO	ABN*
Ventmate Model #	Part #	NTP STAG #	NTP STAG #	OEM Part #	Camco Model #	KAO Part #	OEM Part #	NTP STAG #	OEM Part #	KAO Part #	OEM Part #	Part #	Part #
VNT-F100	68297	71-7487	08-0230	42140	FUR100	M200	M-200	71-7844	53-945100	A101300VP	A10-1300VP	RVS001	9788
VNT-F200	68325	71-7493	08-0231	42141	FUR200	M300	M-300	71-7845	53-945110	A101301VP	A10-1301VP	RVS003	9764
VNT-F300	68304	71-7489	08-0232	42142	FUR300	M500	M-500	71-7846	53-945120	A101302VP	A10-1302VP	RVS004	9771
VNT-F400	68307	71-7490	08-0233	42143	FUR400	M700	M-700	71-7848	53-945140	A101303VP	A10-1303VP	RVS005	n/a
VNT-F500	68302	71-7488	08-0234	42144	FUR500	M800	M-800	71-7847	53-945130	A101304VP	A10-1304VP	n/a	9757
VNT-F600	68660	71-7502	09-0503	42155	FUR600	n/a	n/a	71-7849	53-945150	A101305VP	A10-1305VP	RVS002	n/a
VNT-P100	68480	71-7499	08-0238	42152	PL100	PV400	PV-400	n/a	n/a	A101340VP	A10-1340VP	n/a	n/a
VNT-R500	68393	71-7497	22-0718	42148	RS500	R300	R-300	71-7851	53-945210	A101310VP	A10-1310VP	RVS006	n/a
VNT-R600	68339	71-7496	07-0140	42149	RS600	R600A	R-600	71-7850	53-945200	A101311VP	A10-1311VP	RVS007	n/a
VNT-R600A	68671	71-7503	n/a	n/a	n/a	R-600	R-600A	n/a	n/a	n/a	n/a	n/a	n/a
VNT-R700	68585	71-7501	08-0239	42153	RS700	n/a	n/a	71-7853	53-945230	A101312VP	A10-1312VP	RVS008	n/a
VNT-R800	68401	71-7498	07-0141	42154	RS800	n/a	n/a	71-7852	53-945220	A101313VP	A10-1313VP	RVS009	9832
VNT-S500	68581	71-7500	08-0237	42147	ST500	S900	S-900	71-7854	53-945300	A101330VP	A10-1330VP	RVS010	n/a
VNT-W200	68327	71-7494	08-0235	42150	WH200	W1000	W-1000	71-7858	53-945430	A101322VP	A10-1322VP	RVS014	9801
VNT-W400	68322	71-7492	08-0236	42151	WH400	W600	W-600	71-7857	53-945420	A101323VP	A10-1323VP	RVS013	9818
VNT-W500	68335	71-7495	09-0277	42145	WH500	W100	W-100	71-7855	53-945400	A101320VP	A10-1320VP	RVS011	9825
VNT-W600	68309	71-7491	09-0278	42146	WH600	W200	W-200	71-7856	53-945410	A101321VP	A10-1321VP	RVS012	9795

\*Auto Body Now