

Key Machines

# Bravo III

## Lever Operated Duplicator with EZ-Jaw<sup>®</sup>



The Bravo III is a high precision, heavy duty semi-automatic key machine designed for ultra reliability and ease of use.

Lever operated, the Bravo III now features EZ-Jaw<sup>®</sup> four-position vise jaws, offering exceptional key gripping ability. They can be quickly rotated from one clamping position to the next without lifting first, and accommodate most residential, commercial, and automotive keys without needing an adapter.

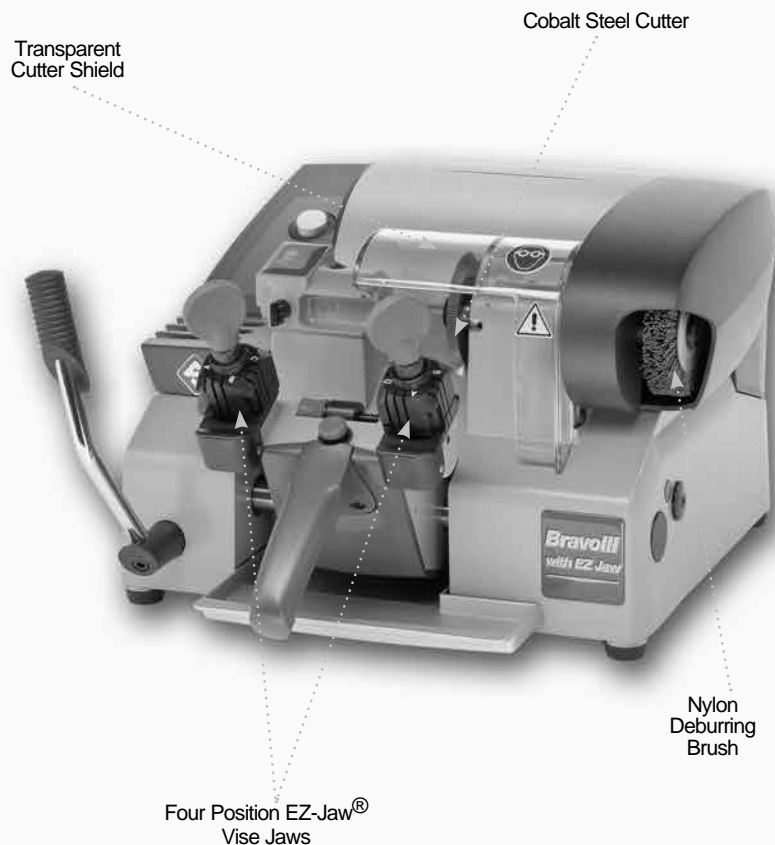
The  to your success

**ILCO**

# Bravo III Lever Operated Duplicator with EZ-Jaw<sup>®</sup>

The Bravo III key machine is provided with the CU50A cutter and a corresponding cutter guide. The durable cobalt steel cutter ensures a smooth, clean, accurate cut. The Bravo III is designed to duplicate common cylinder and automotive key blanks as well as Titan<sup>®</sup> and older GM<sup>®</sup> with 90 degree first cut biting characteristics.

- **Wide spacing between vise jaws accommodates new longer keys and large headed keys.**
- **Versatile four-position EZ-Jaw<sup>®</sup> vise jaws securely grip virtually all residential, commercial, and automotive keys... including double-sided types, without requiring adapters. Designed with the user in mind, they are rotatable from one position to another without lifting first.**
- **Carriage is spring loaded, provides consistent cutting pressure, and reduces potential for miscuts.**
- **Automatic cutter start feature controlled by micro-switch is activated by raising or lowering the carriage.**
- **Precise adjustments. A tracer point with micrometer dial regulation makes it quick and easy to adjust depth of cut; simple to replace when worn.**
- **Carriage release button can only be activated when the key gauges are in the down position, preventing potential cutter contact.**
- **Two carriage shafts ensure sensitivity and precision in the cutting movement.**
- **Features a "soft-touch" deburring nylon brush.**

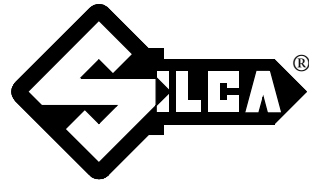


## Specifications:

<b>Motor:</b>	110V standard; ¼ hp capacitor start
<b>ViSe Jaws:</b>	EZ-Jaw <sup>™</sup>
<b>Cutter:</b>	CU50A milling cutter, flat left side, cobalt steel
<b>Brush:</b>	D925102ZR
<b>Dimensions:</b>	15"W x 20" D x 10" H (38cm x 51cm x 25cm)
<b>Weight:</b>	47 lbs. (21.4kg)

### Duplicates Cylinder and Automotive Keys





# Bravo III

with EZ Jaw™

120V - 60Hz



## Exploded drawing and spare parts list

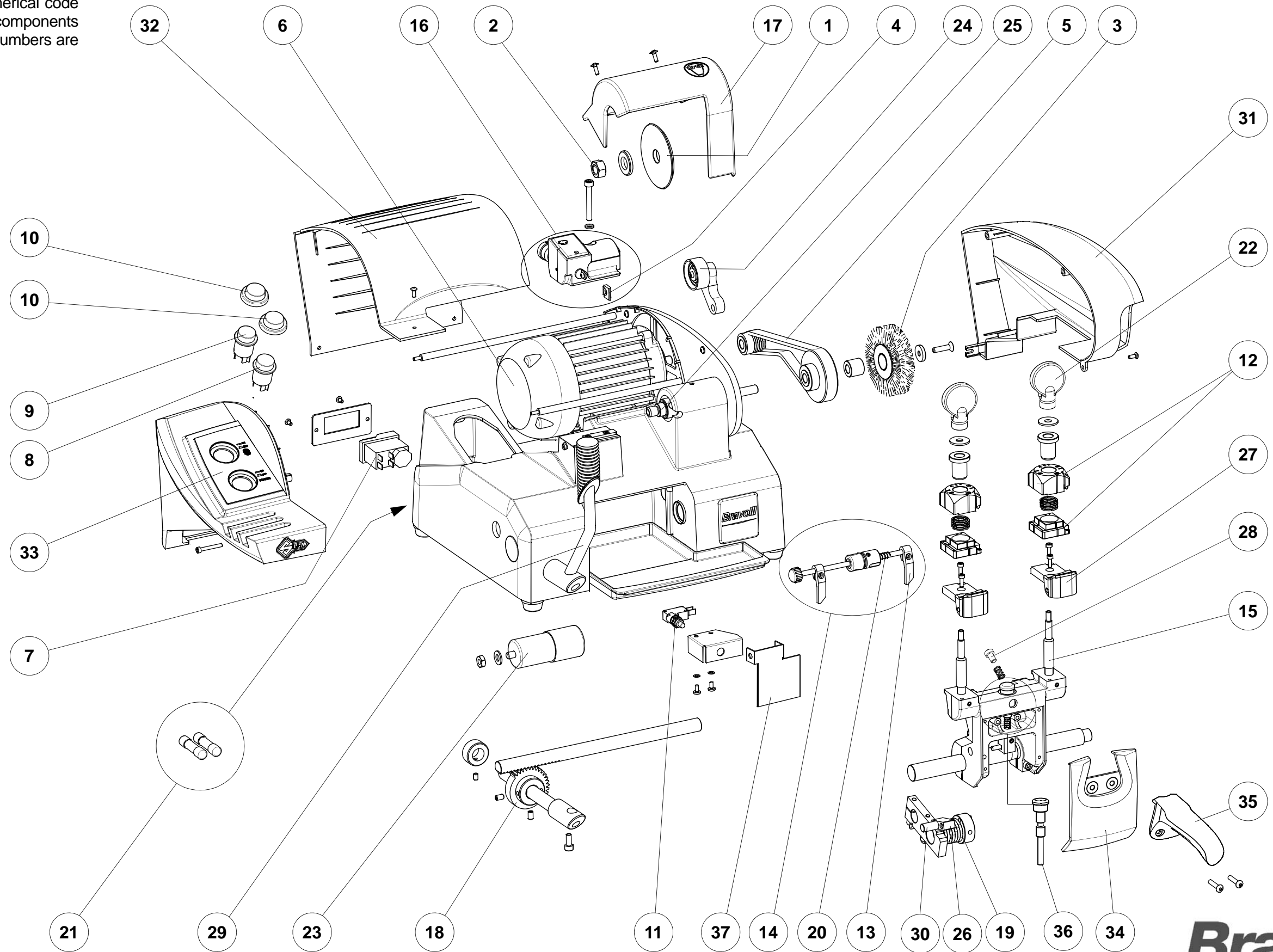
## BRAVO III WITH EZ JAW - 120V-60Hz

Ref.	Code	
1	D717898ZB	CUTTER
2	D901249ZR	CUTTER NUT
3	D925102ZR	BRUSH
4	D925121ZR	TRACER POINT
5	D923748ZR	BELT
6	D923698ZR	MOTOR 110/60
7	D925500ZR	MASTER SWITCH
8	D925120ZR	SWITCH
9	D923743ZR	BRUSH BUTTON
10	D904615ZR	SWITCH PROTECTION
11	D923706ZR	MICROSWITCH
12	D926495ZR	CLAMP SET
13	D926633ZR	CALIPER TAB
14	D926631ZR	CALIPER SET
15	D905278ZR	CLAMP PIN
16	D925110ZR	TRACER POINT SET
17	D924048ZR	PROTECTIVE SHIELD
18	D904921ZR	GEAR
19	D904915ZR	CARRIAGE SPRING
20	D926634ZR	CALIPER SPRING
21	D906749ZR	FUSES 6,3 AMPS-RAPID
22	D902170ZR	CLAMP KNOB
23	D925122ZR	CONDENSER 25MF
24	D932439ZR	BELT STRETCHER
25	D926627ZR	CUTTER SHAFT SET
26	D904943ZR	CARRIAGE STOP EQUALIZER
27	D931296ZR	CLAMP ALIGNMENT DEVICE
28	D905283ZR	STOP PIN
29	D904922ZR	CARRIAGE MOVEMENT LEVER
30	D904944ZR	EQUALIZER PIN
31	D928616ZR	BELT SHIELD
32	D928615ZR	MOTOR SHIELD
33	D928612ZR	SWITCHES SHIELD
34	D928614ZR	CARRIAGE COVER
35	D932502ZR	CARRIAGE LEVER
36	D924045ZR	CARRIAGE RELEASE PIN
37	D923704ZR	FLAG MICROSWITCH

Attention: for repairs or replacement of parts for maintenance, the "CE" mark is guaranteed only if original spare parts provided by the manufacturer are used.  
 Silca guarantees supplies of the listed spare parts for 7 years from the date the product is discontinued.

## IMPORTANT NOTE!

The exploded drawing illustrates all the components of the key-cutting machine. Only those marked with a numerical code are spare parts. All the other components shown in the drawing without numbers are simply illustrative.



**Bravoll**  
**with EZ Jaw™**

120V - 60Hz

Check out the collection of key cutting machines & programmers we offer.