

## Installation Instructions

Before using the Mounting hooks, carefully read this installation instruction as well as the installation instructions for basic carrier systems, and follow all usage instructions. After reading the manual, keep it in a safe place along with the installation instructions for basic carrier systems. If you are to give the mounting hooks to a third person, provide this manual to ensure safe installation and usage.

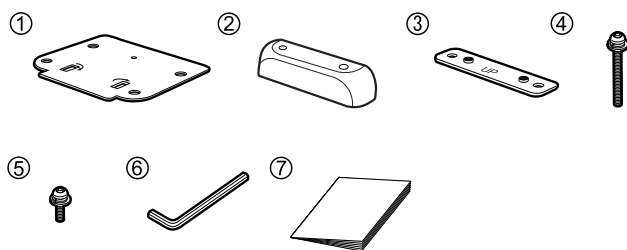
- Read instructions matching the model, year and type of vehicle.
- If appropriate instructions are not available, contact us listed below.

### **Precautions**

- Install hooks correctly at specified positions according to the instructions herein and instructions for the applicable carrier system. Installation positions of hooks depend on the vehicle type. If hooks are not installed at specified positions, the carrier may fall and cause an accident.
- Do not use these hooks for attachments of non-specified types. The carrier may drop and cause accident.
- Observe the specified loading conditions. Failure to observe the loading condition may cause the carrier to break or loosen and drop, resulting in accident.

For INNO dedicated ski & snowboard carriers read carrier instruction manuals for determining proper mounting locations.

The TR Mounting hooks includes the parts listed below. Verify that all of these parts are included in the carrier system you have purchased.



No.	Parts	Qty
①	Base plate	4
②	Plastic plate	4
③	Nut plate	4
④	Bolt (long) [M6x35mm]	8
⑤	Bolt (Short) [M6x12mm]	16
⑥	Allen key	1
⑦	Instruction manual	1

#### **Note**

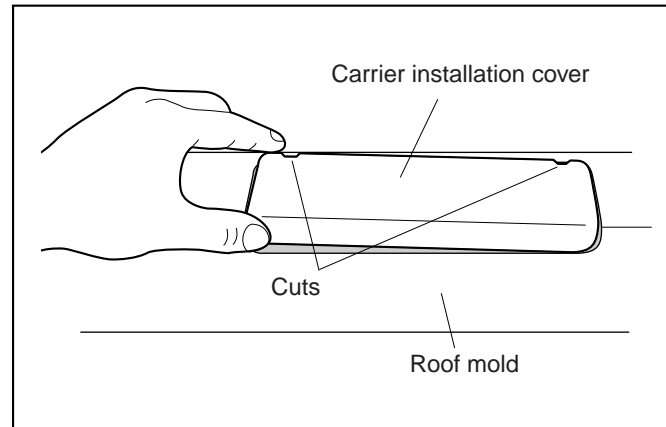
Installation procedures are described for different models, years and types.  
If your car doesn't match any of the vehicle types listed, refer to the instructions for the applicable carrier.

## TR108 Installation Procedure for the individual Vehicle Model

Manufacturer	Vehicle model	Vehicle type	Model year	Loading conditions	
				Maximum Load Capacity	Bike
HONDA	CR-V	5 door	2002-2006	140 lbs (64 kg) (Load + Base rack + Attachments)	3

### Vehicle preparations

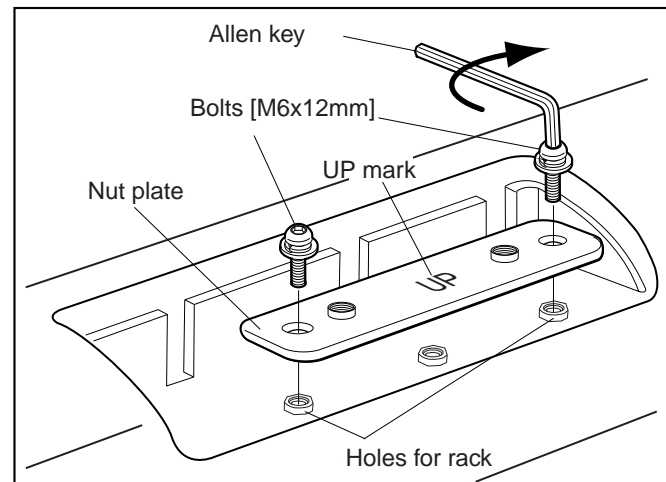
**1** Clean the roof rail of the vehicle.



**2** Stick a small flathead screwdriver into the cuts of the carrier installation cover on the vehicle roof rail, and remove it.

#### Reference

Do not misplace the removed covers. Keep them in a safe place for future use.



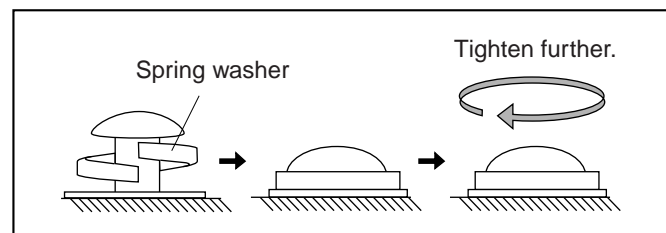
**3** Remove cover from roof mold and attach the nut plate to the holes for rack with bolts [M6x12mm] (Use 2 of the 3 holes). Verify that the UP marking on the nut plate is facing up.

#### Reference

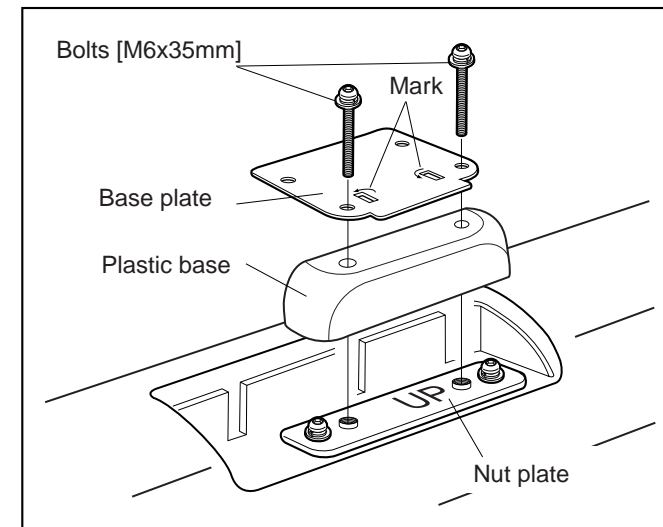
Use 2 holes on both ends among the 3 holes for rack.

#### Caution

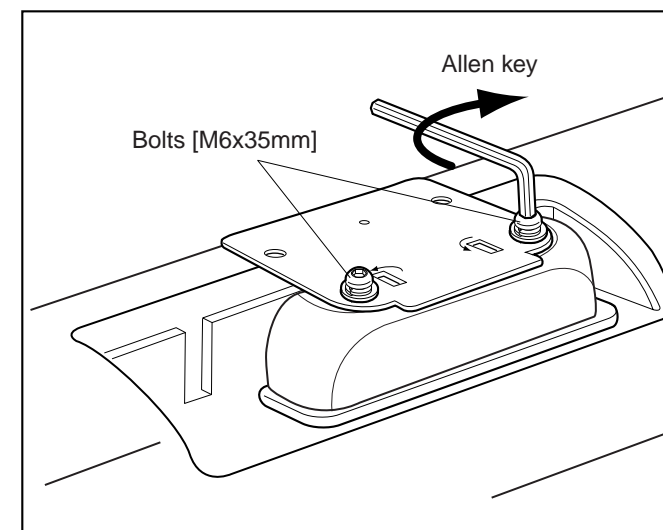
- Tighten the hexagonal nut until the spring washer lies flat.
- Tighten the hexagonal nut with 4[N·m] (39.2 [kgf·cm]) of torque.



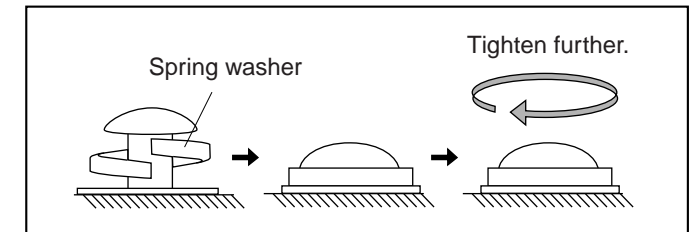
## Installing System Carrier (IN-TR)



**1** Install the plastic base and the base plate onto the nut plate with bolts [M6x35mm]. The flat side of the plastic base must face the center of the roof and the arrow marks on the base plate must face up.

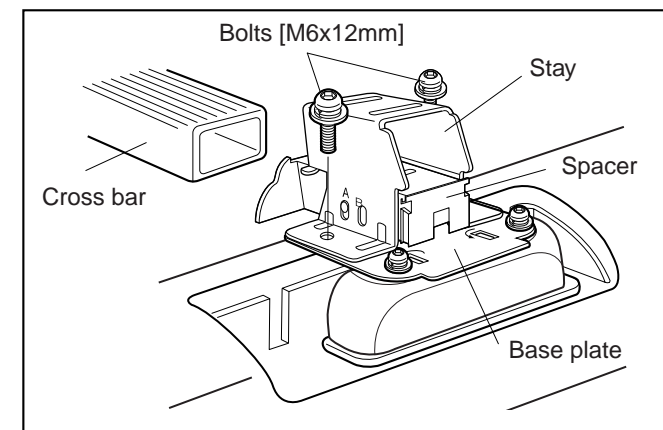


**2**



#### Caution

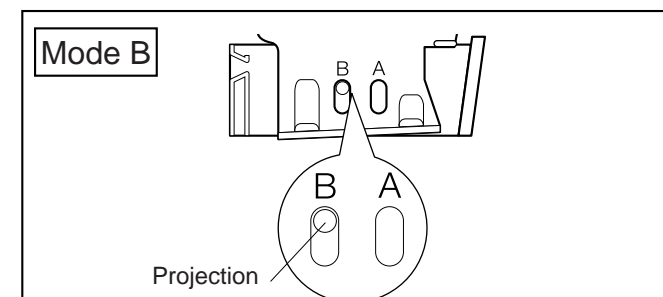
- Tighten the hexagonal nut until the spring washer lies flat.
- Tighten the hexagonal nut with 4[N·m] (39.2 [kgf·cm]) of torque.



**3** Place the carrier on the base plate and attach with bolts [M6x12mm] using the inner holes.

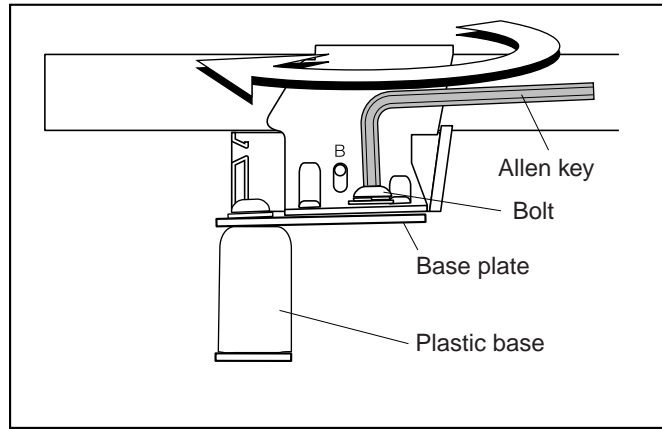
#### Reference

The surface of the cross bar with 8 grooves must face up.



Slide the spacer so that the projection is positioned at Mode B.

## Installing the carrier (TX706 -) dedicated for ski/snowboard



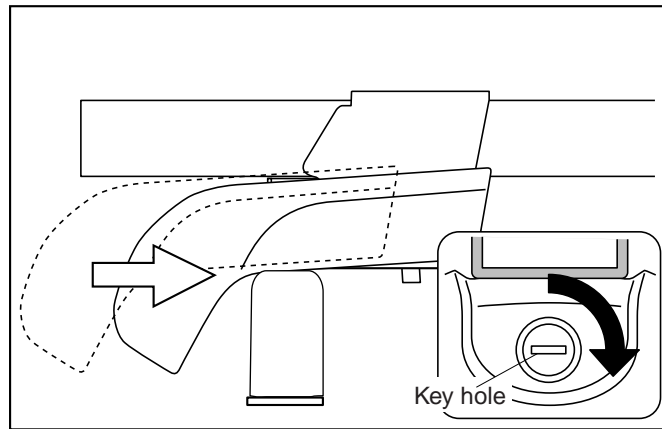
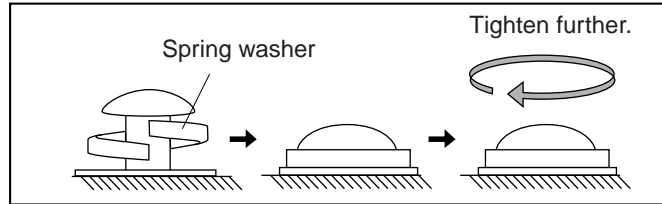
**4** Tighten bolts alternately using the attached Allen key and fixate the stay onto the base plate.

**Reference**

Tighten bolts loosely with hands first, and tighten further using the Allen key.

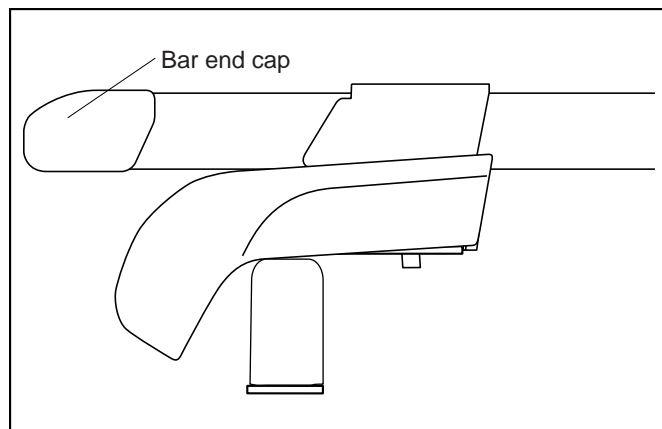
**Caution**

- Tighten the hexagonal nut until the spring washer lies flat.
- Tighten the hexagonal nut with 4[N·m] (39.2 [kgf·cm]) of torque.



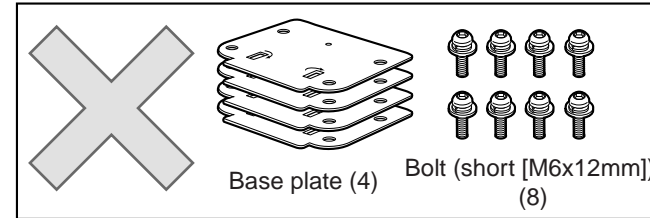
**5** Close the cover.

**6** Insert key and turn right to lock.



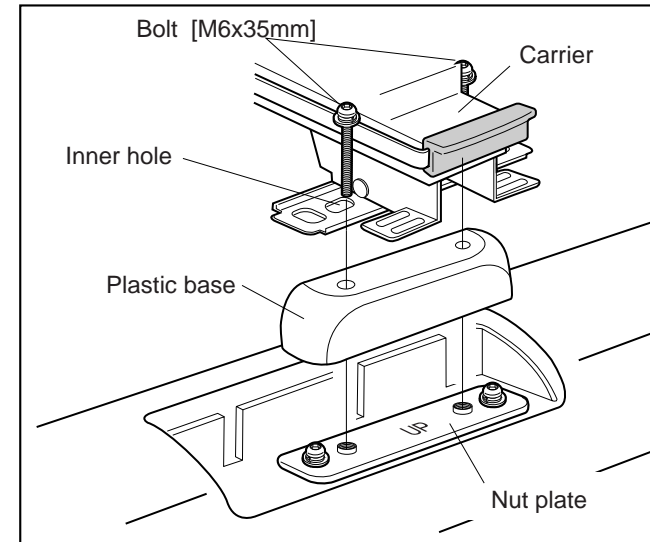
**7** Place the end caps (included with bars) onto each end of the crossbars.

**8** Repeat the procedure to install all 4 stays.



**Reference**

4 base plates, 8 short bolts [M6x12mm] and [M6x15mm] supplied with the carrier are not used.



**1** Install the plastic base and the carrier onto the nut plate with bolts [M6x35mm]. Verify that bolts are placed through the inner holes.