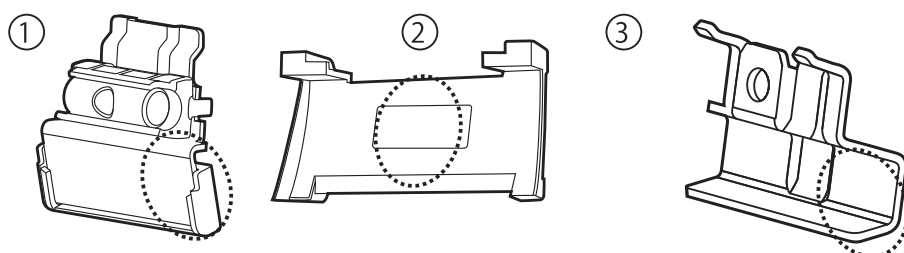
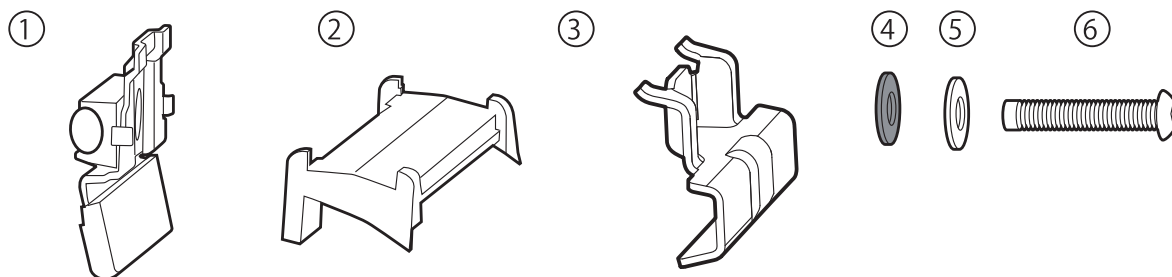


Please read both the Stay installation instructions and INNO common installation instructions (both included in Stay package).
 Keep this installation instructions in a safe place.



Check the hook and base numbers.

	No.
①	871
②	A01
③	712



No.

- | | |
|---|--------------|
| ① | Inner hook |
| ② | Base |
| ③ | Outer hook |
| ④ | Washer |
| ⑤ | Nylon washer |
| ⑥ | Bolt |

We do not accept any liability for accidents, damage or injury caused by incorrect installation or use, modification, or natural disaster.

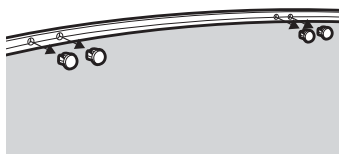
TR159

Mounting Method by Vehicle Type

Manufacturer	Model	Type	Year	Maximum loading capacity
HONDA	HR-V		2016 -	165lbs (75kg)

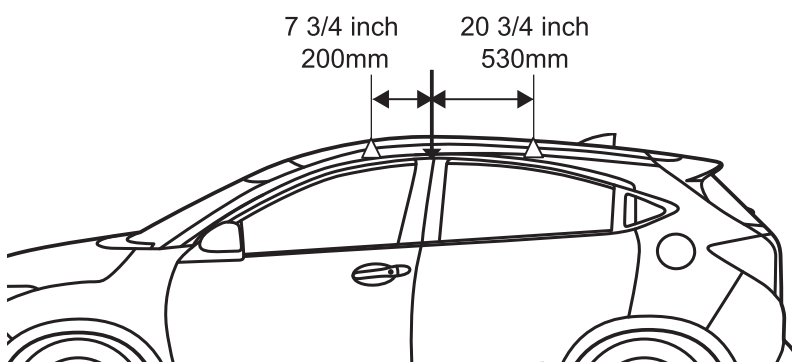
※ Load + Base rack + Attachments

Prior To Installing

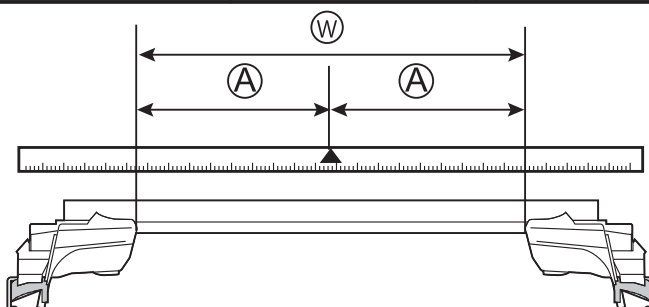


Remove the caps (total 8, left and right) that are located inside the direct roof rail. Please keep these removed caps in a safe place.

Recommended mounting position

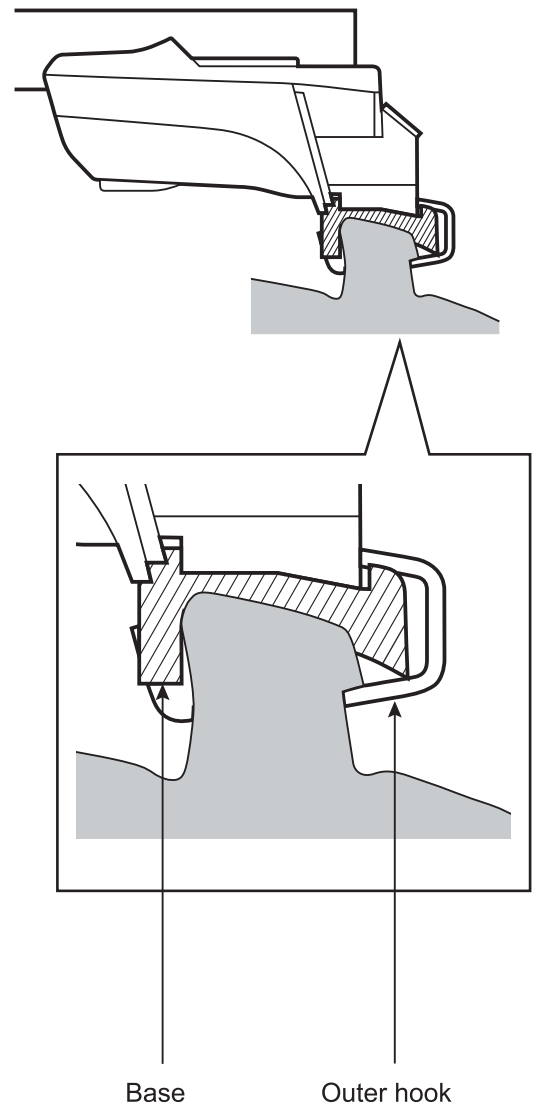


Stay interior dimensions		
	Ⓜ	Ⓐ
Front	33 3/8 inch (848 mm)	16 3/4 inch (424 mm)
Rear	a 30 7/8 inch (784 mm)	15 3/8 inch (392 mm)



If not using the recommended mounting positions, follow the Stay installation instructions.

Detailed installation diagram



Base

Outer hook

6110301TR159A2-US